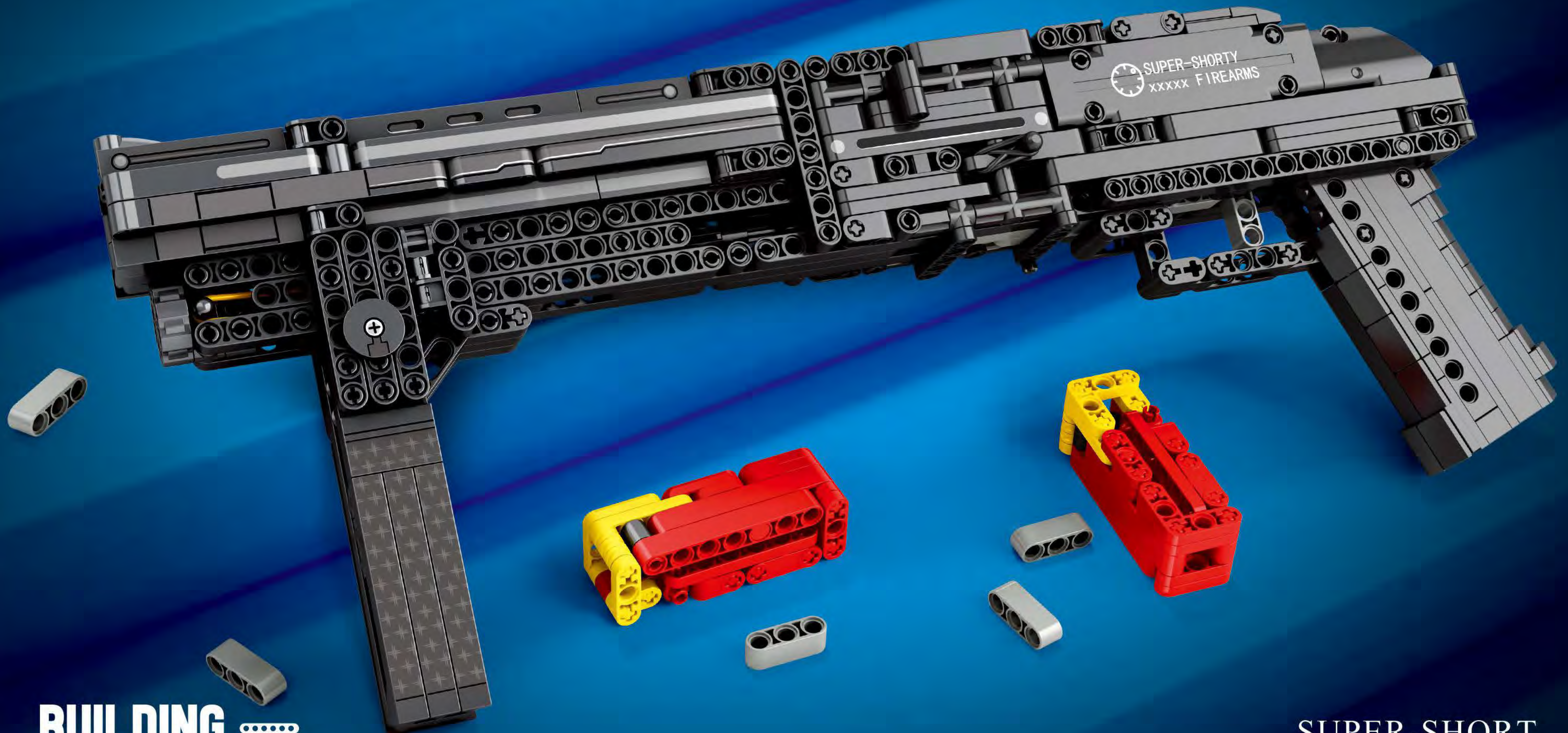




Reobrix

NO.77002

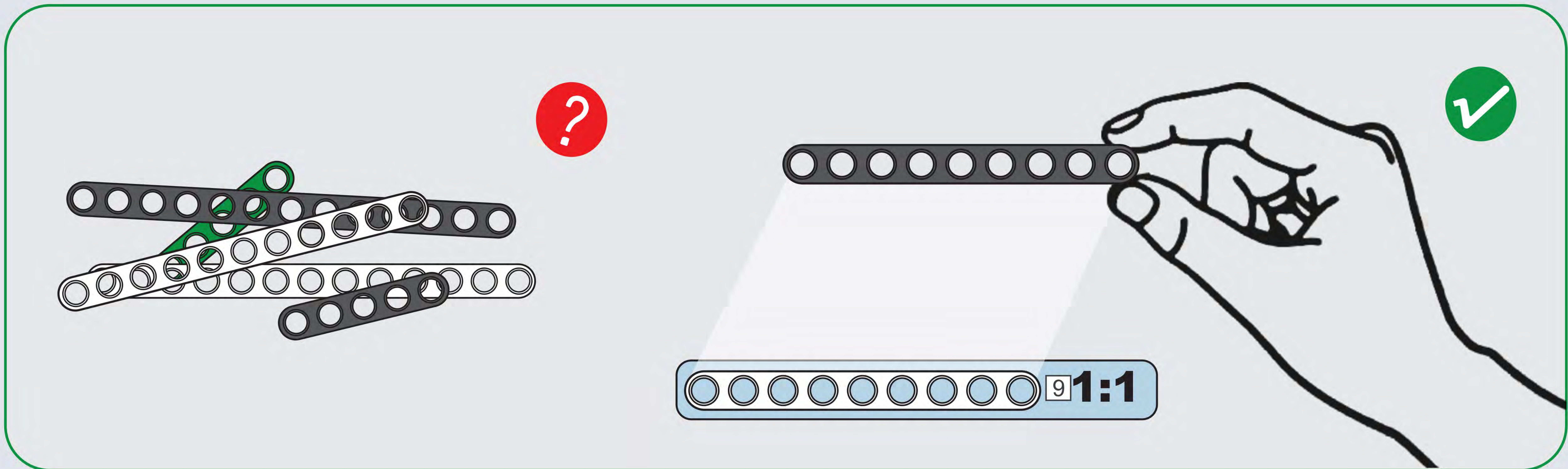
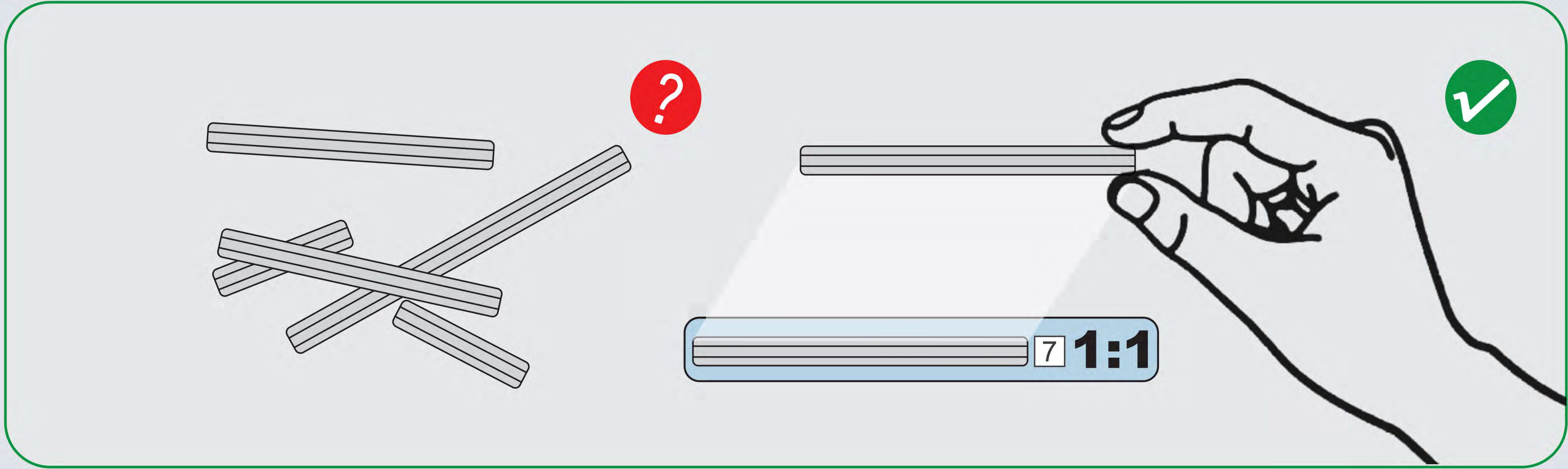
SUPER-SHORTY

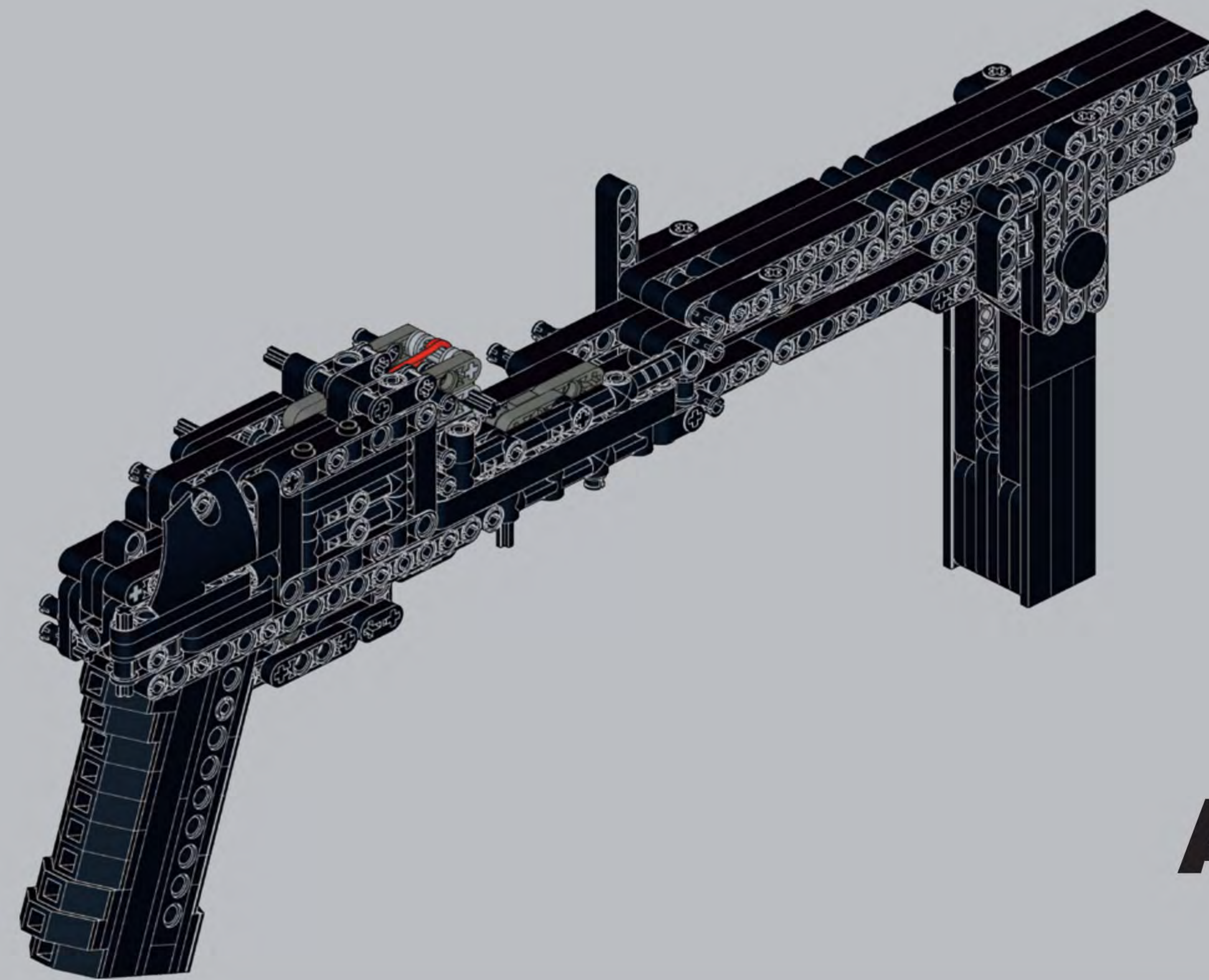


BUILDING 
BLOCK GUN

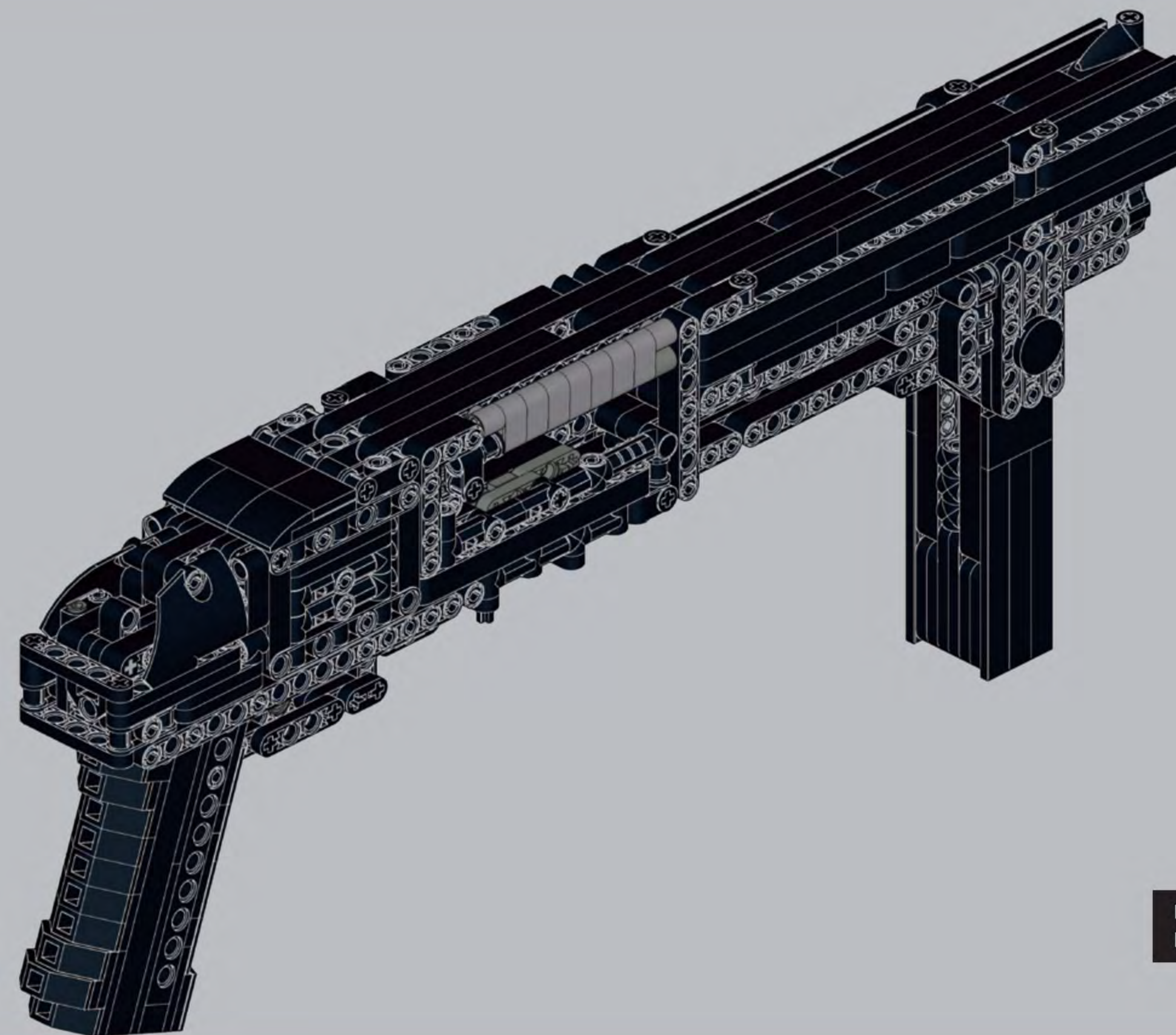
SUPER-SHORT

THE SUPER SHORT MAN IS A WEAPON DEVELOPED BY SHERBU.
THE BARREL IS VERY SHORT, EASY TO HIDE, EASY TO CARRY,
AND HAS A HIGH DEGREE OF MOBILITY,
BUT THE DISADVANTAGE IS THAT IT HAS A WIDE RANGE OF SHOTS.



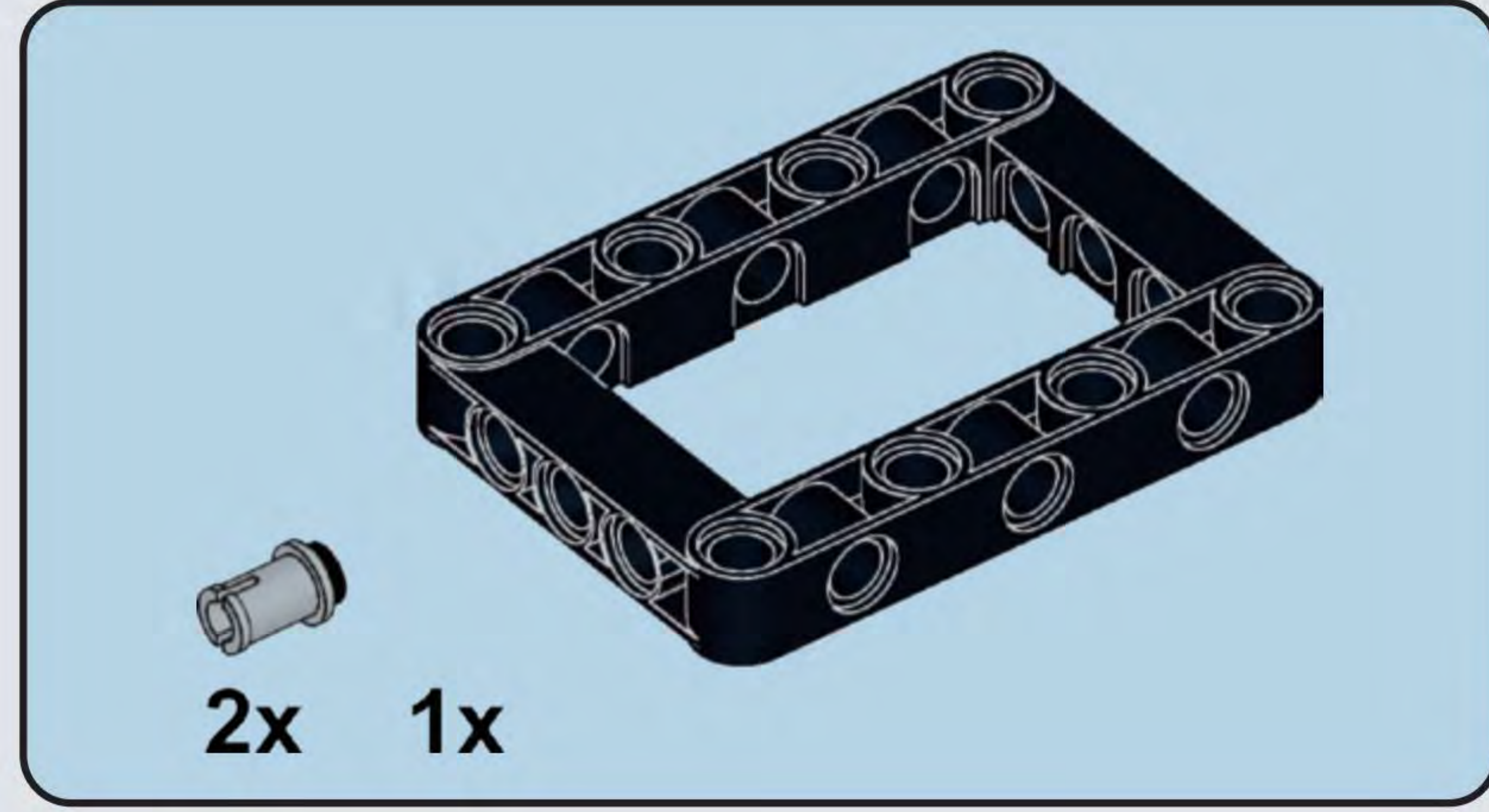


A

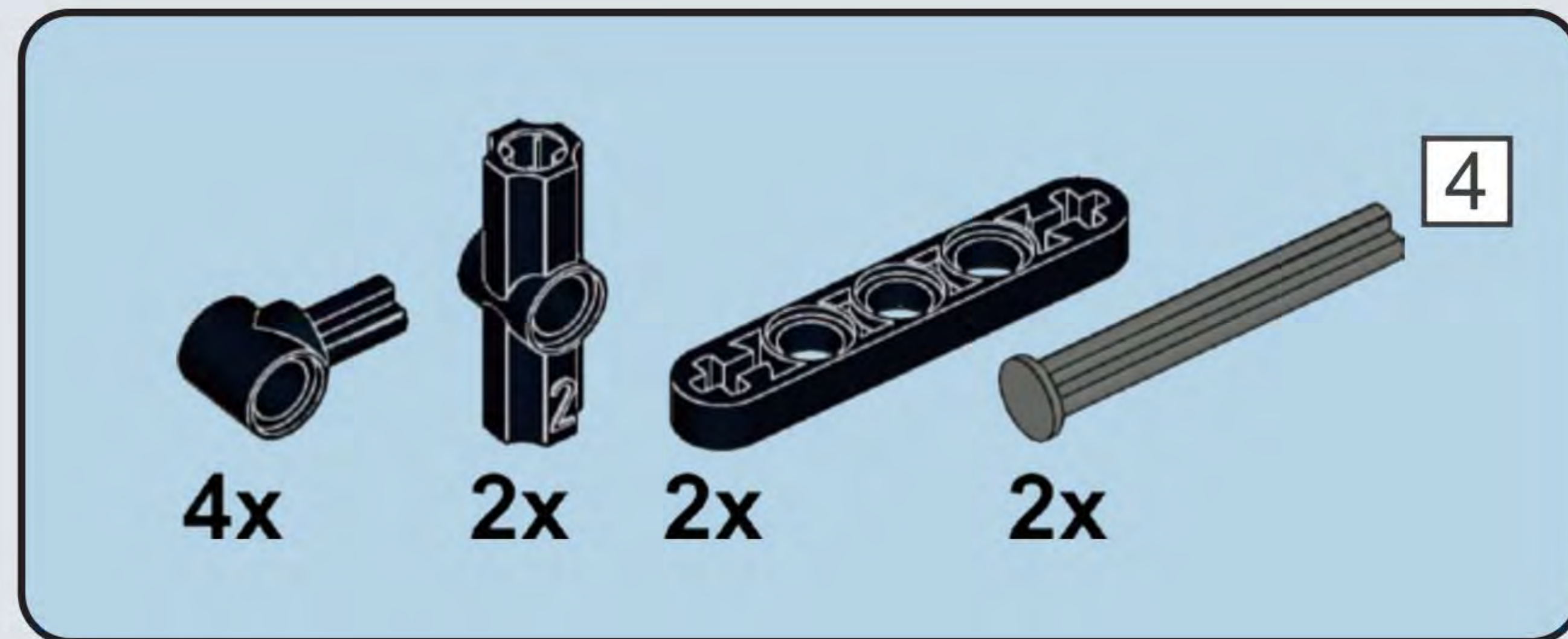
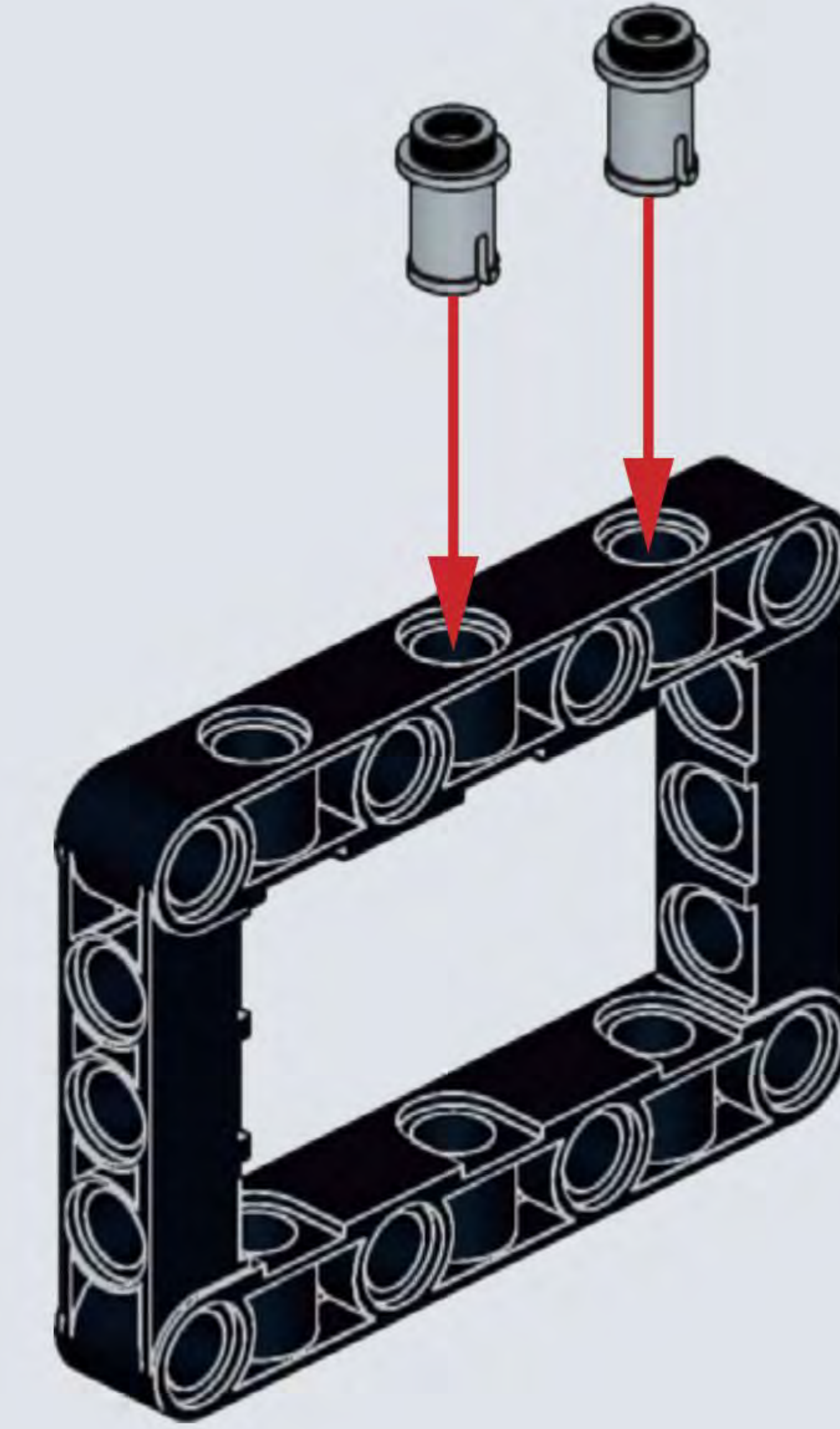


B

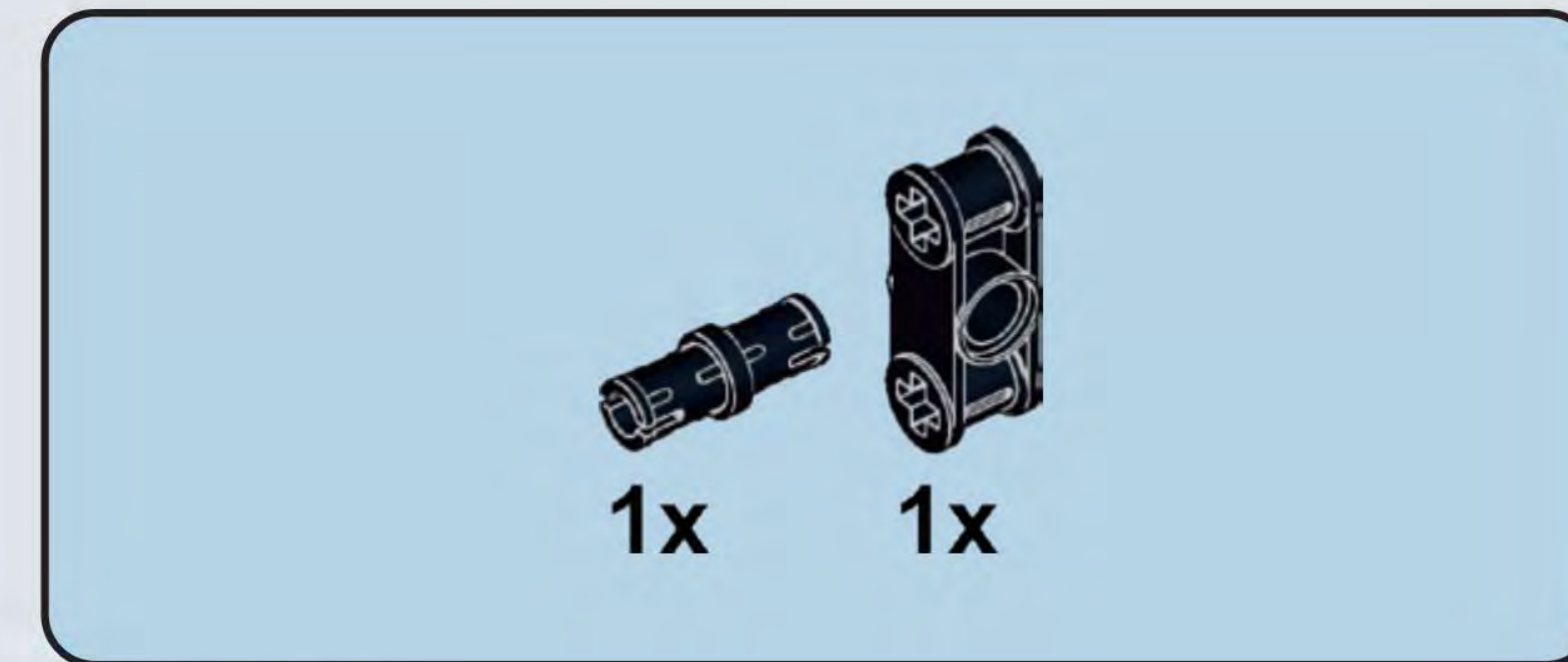
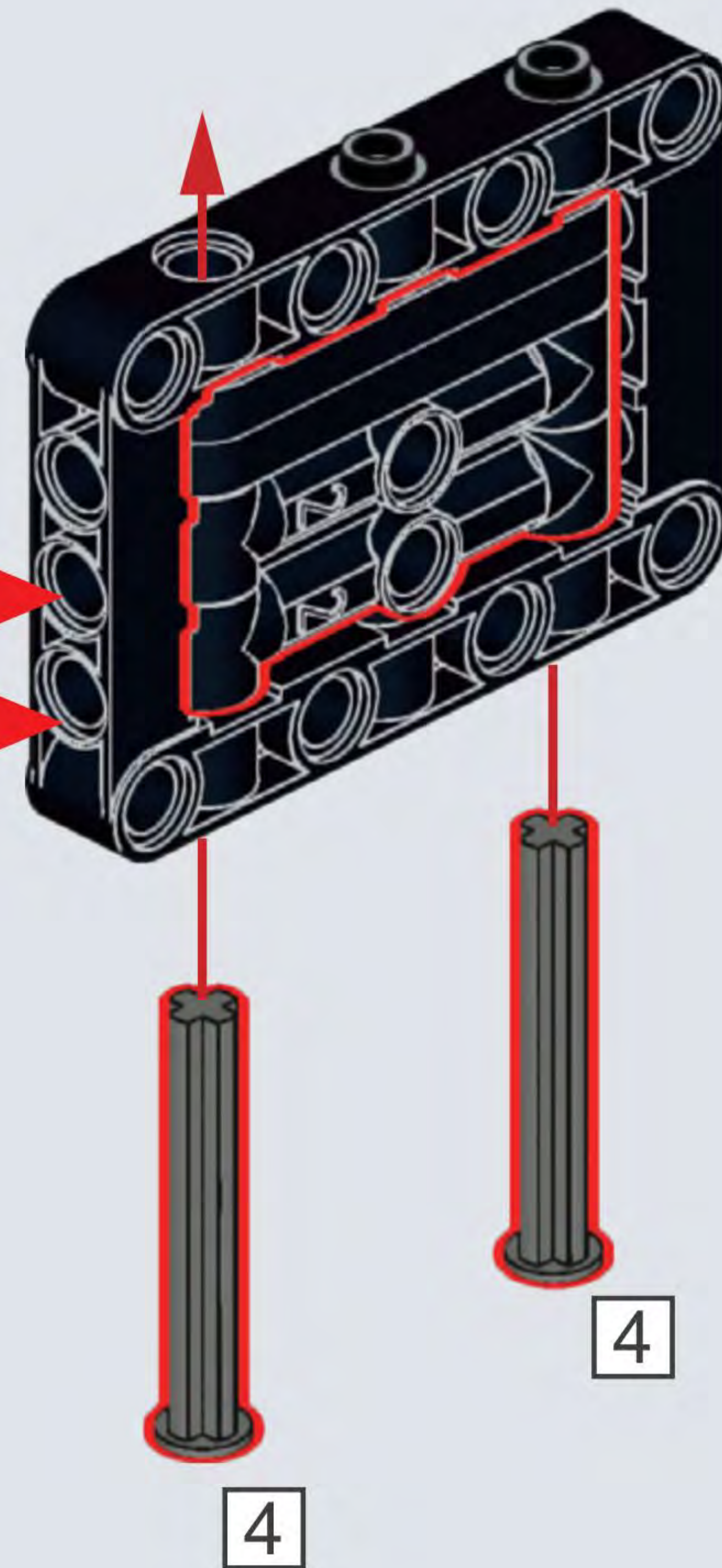
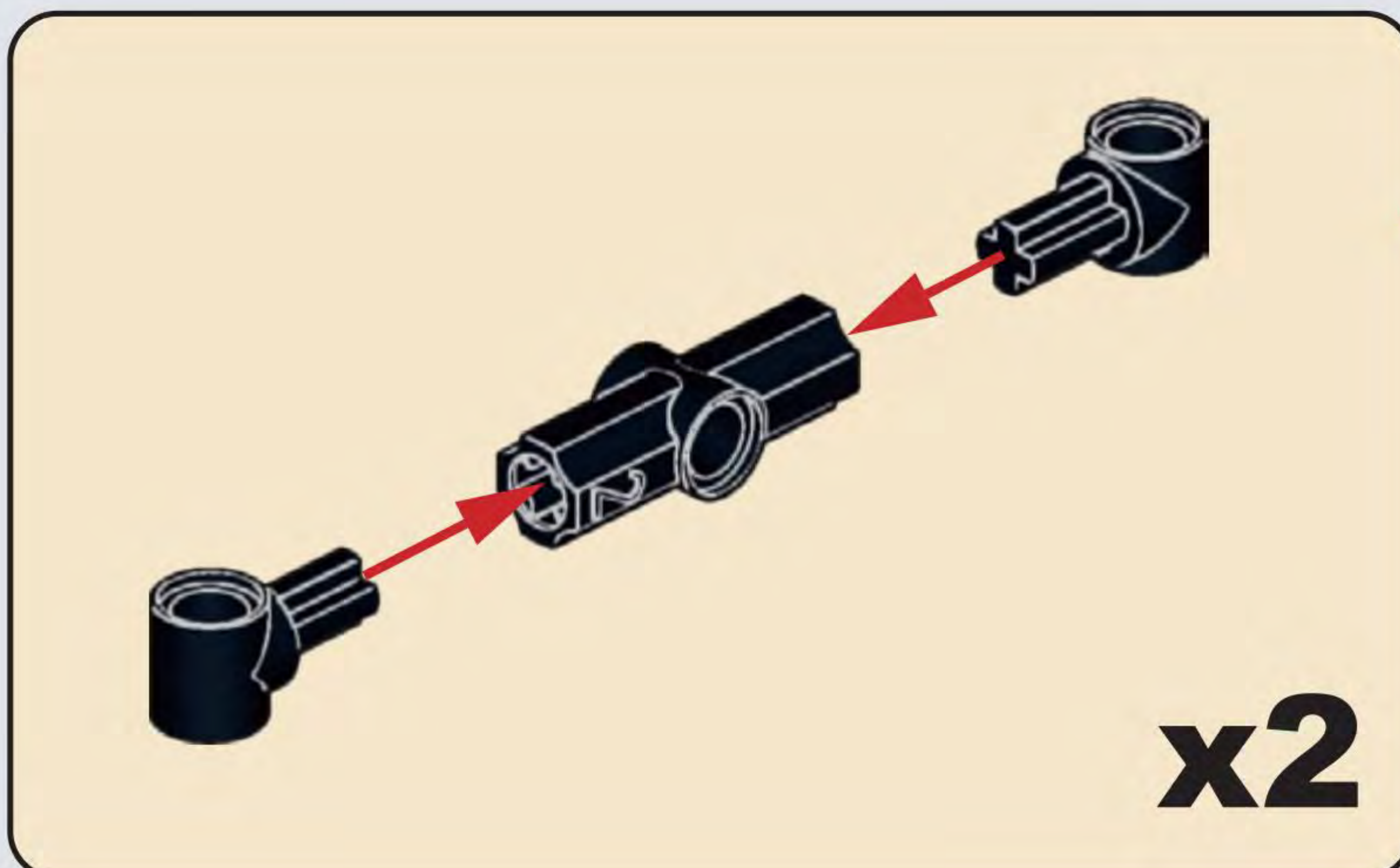
A



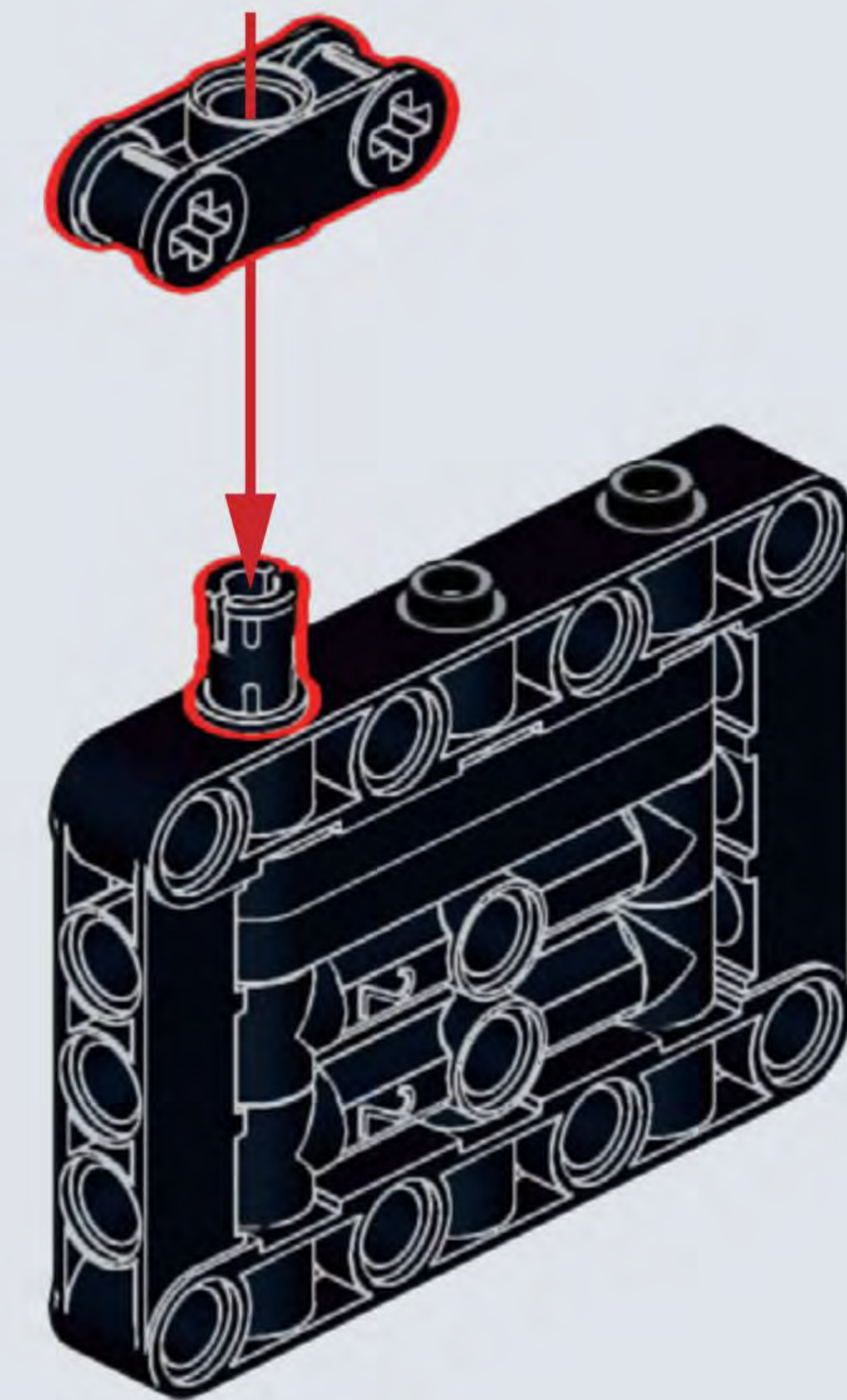
A1

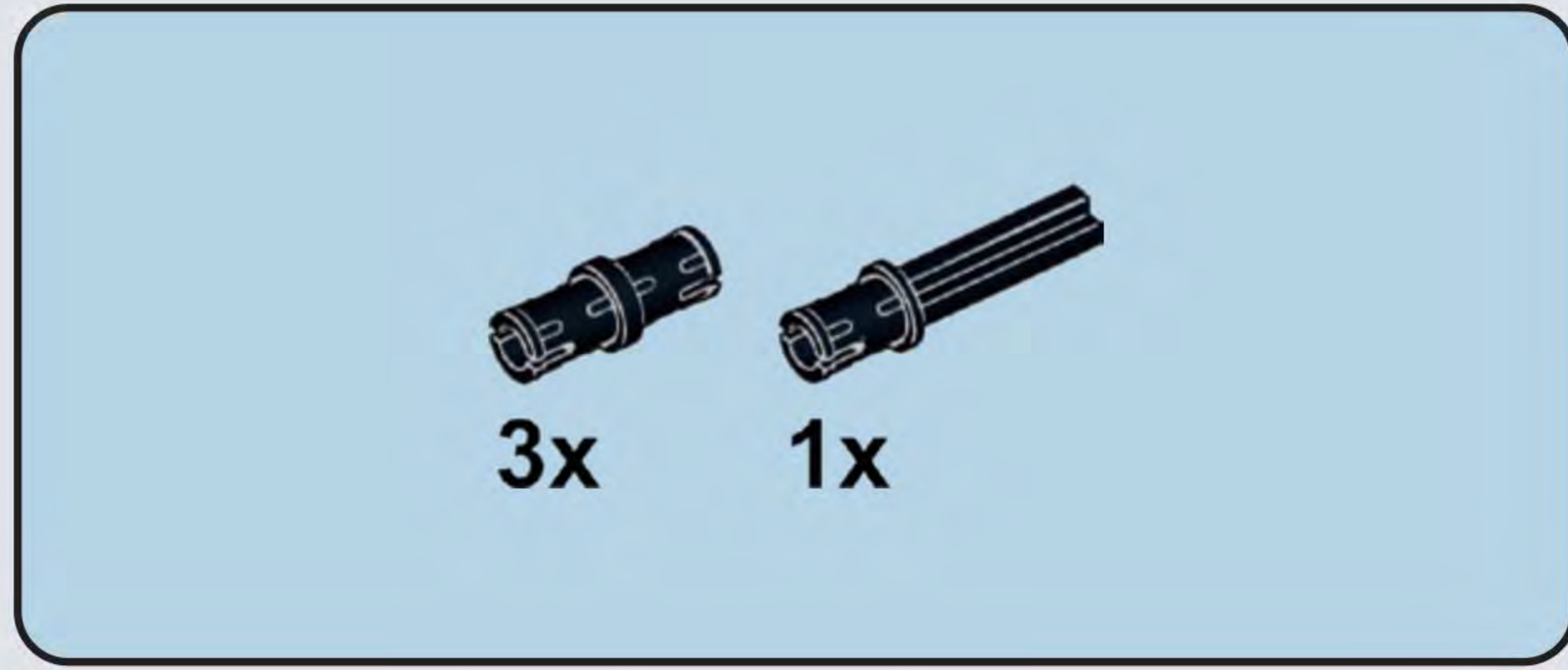


A2

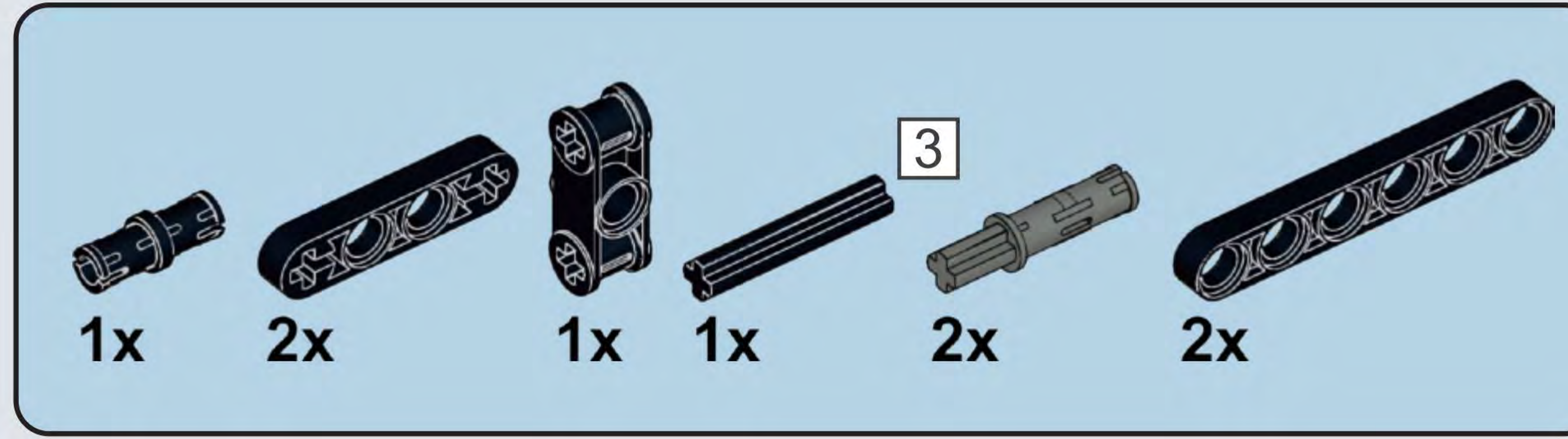
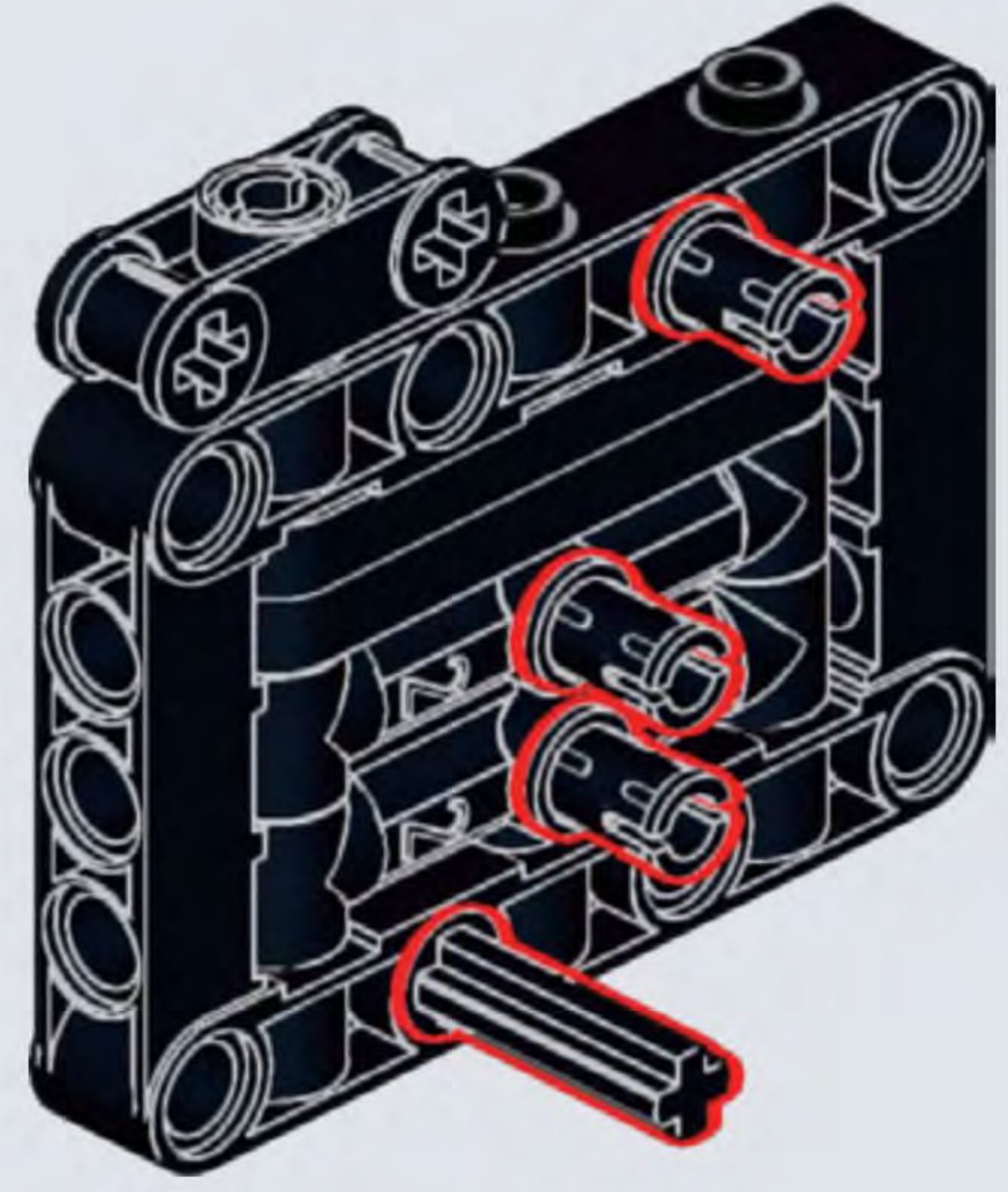


A3

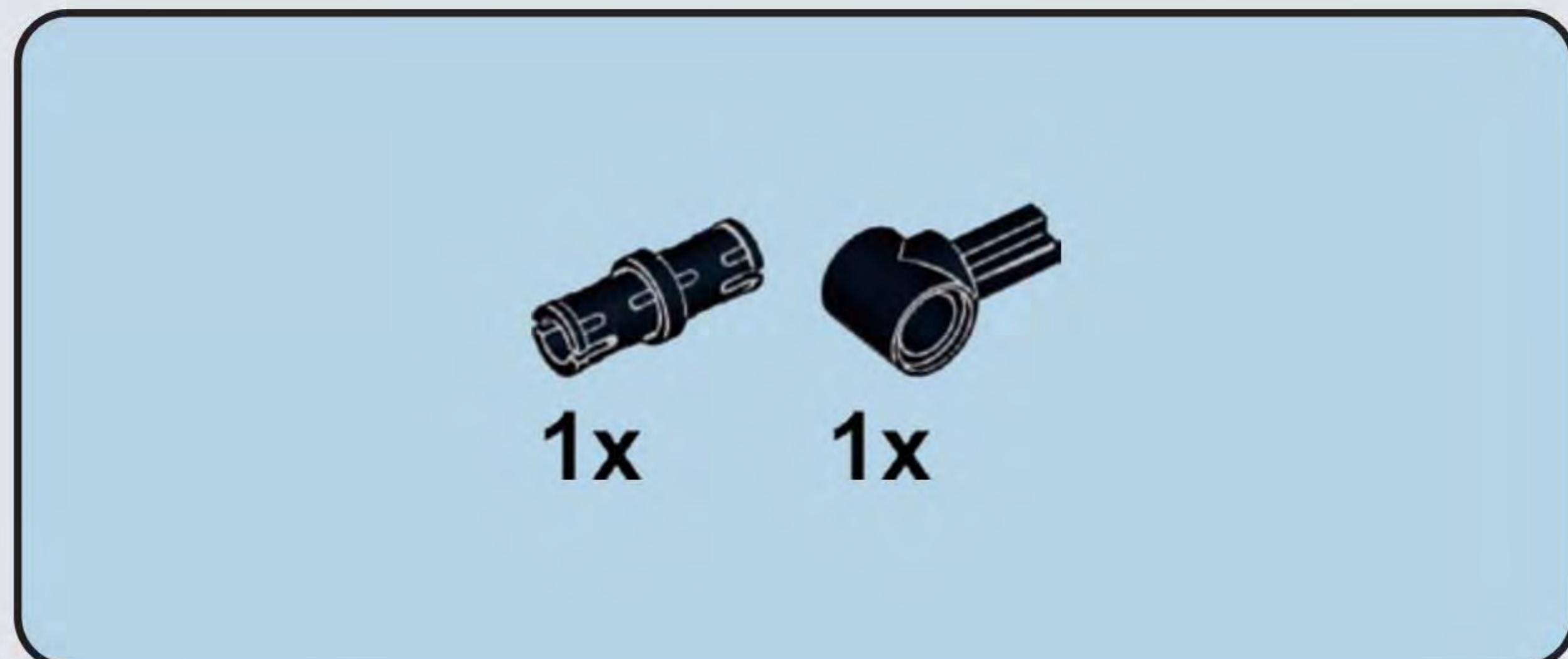
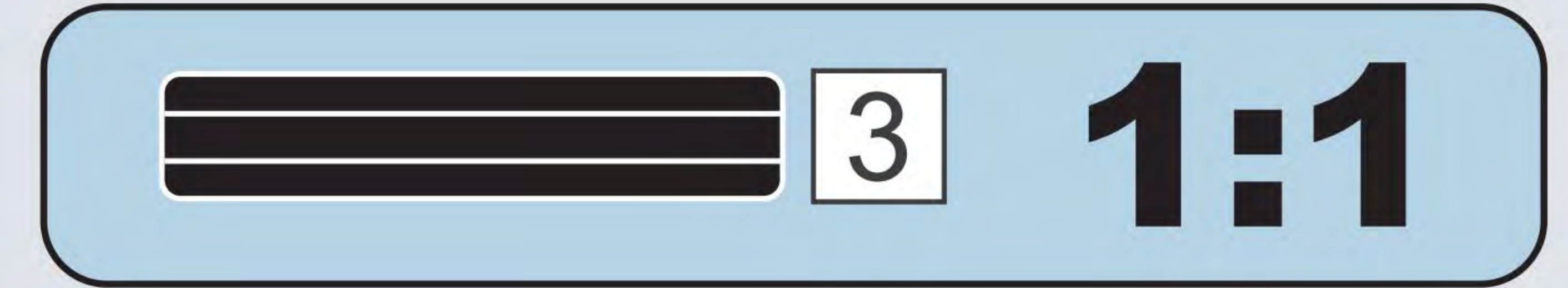
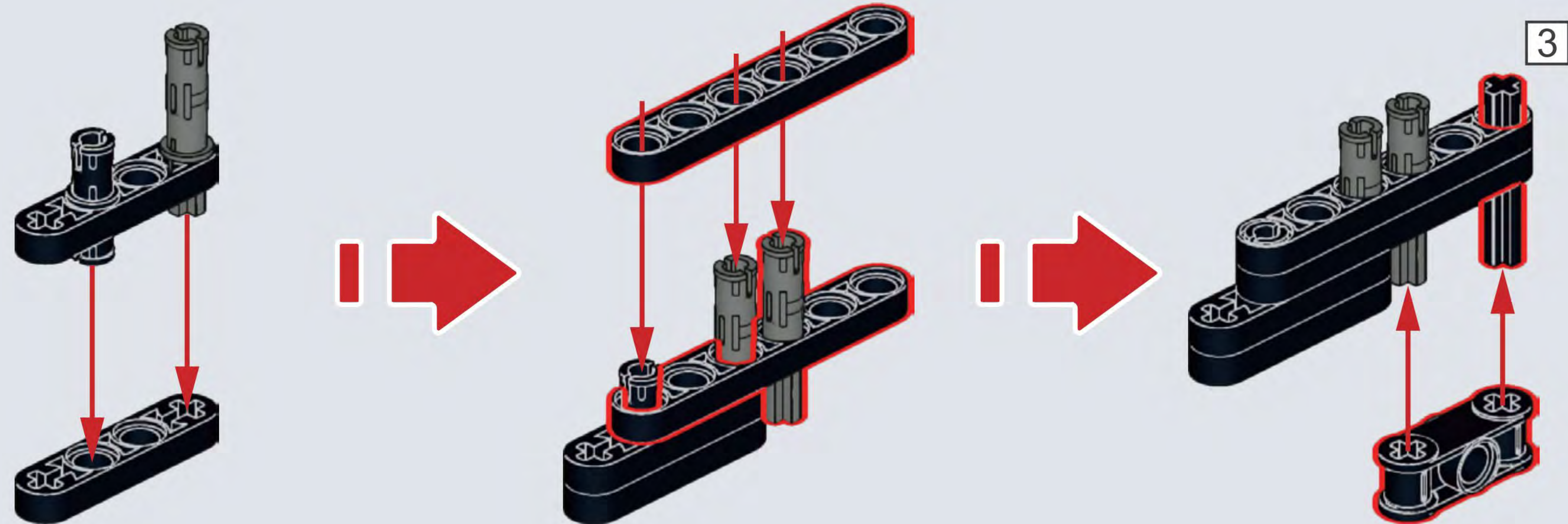




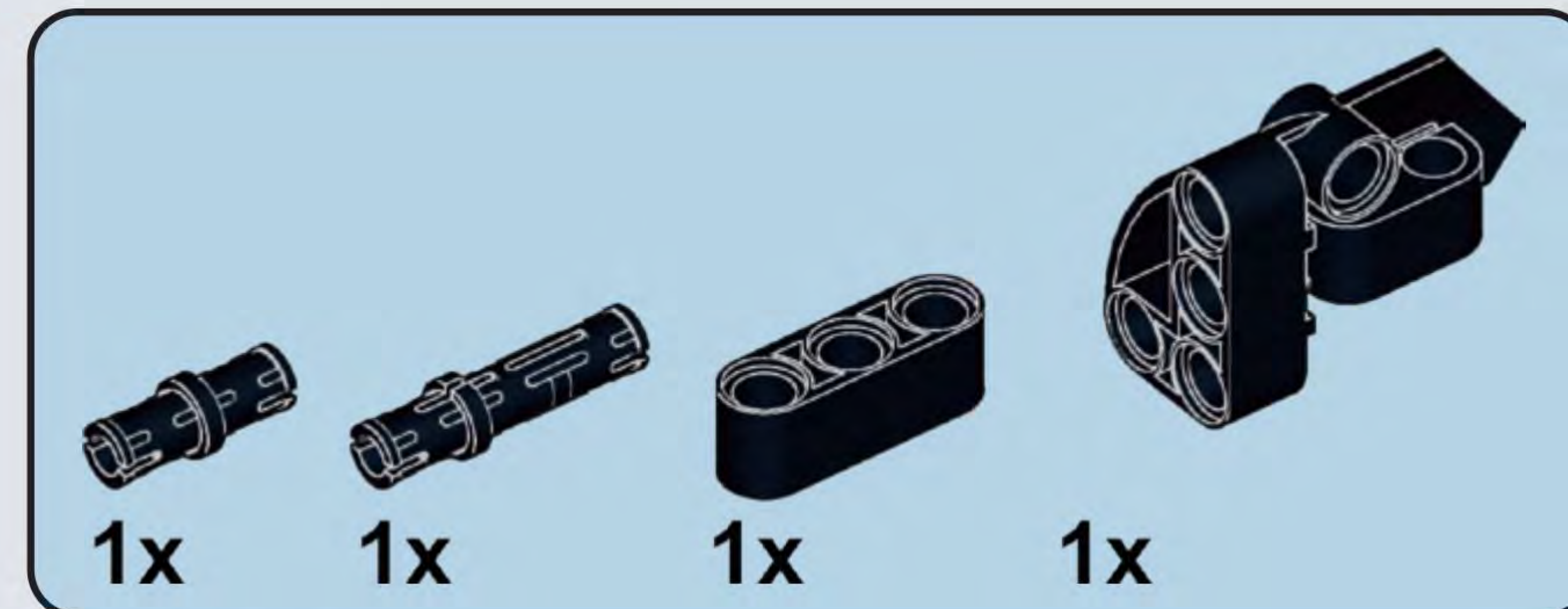
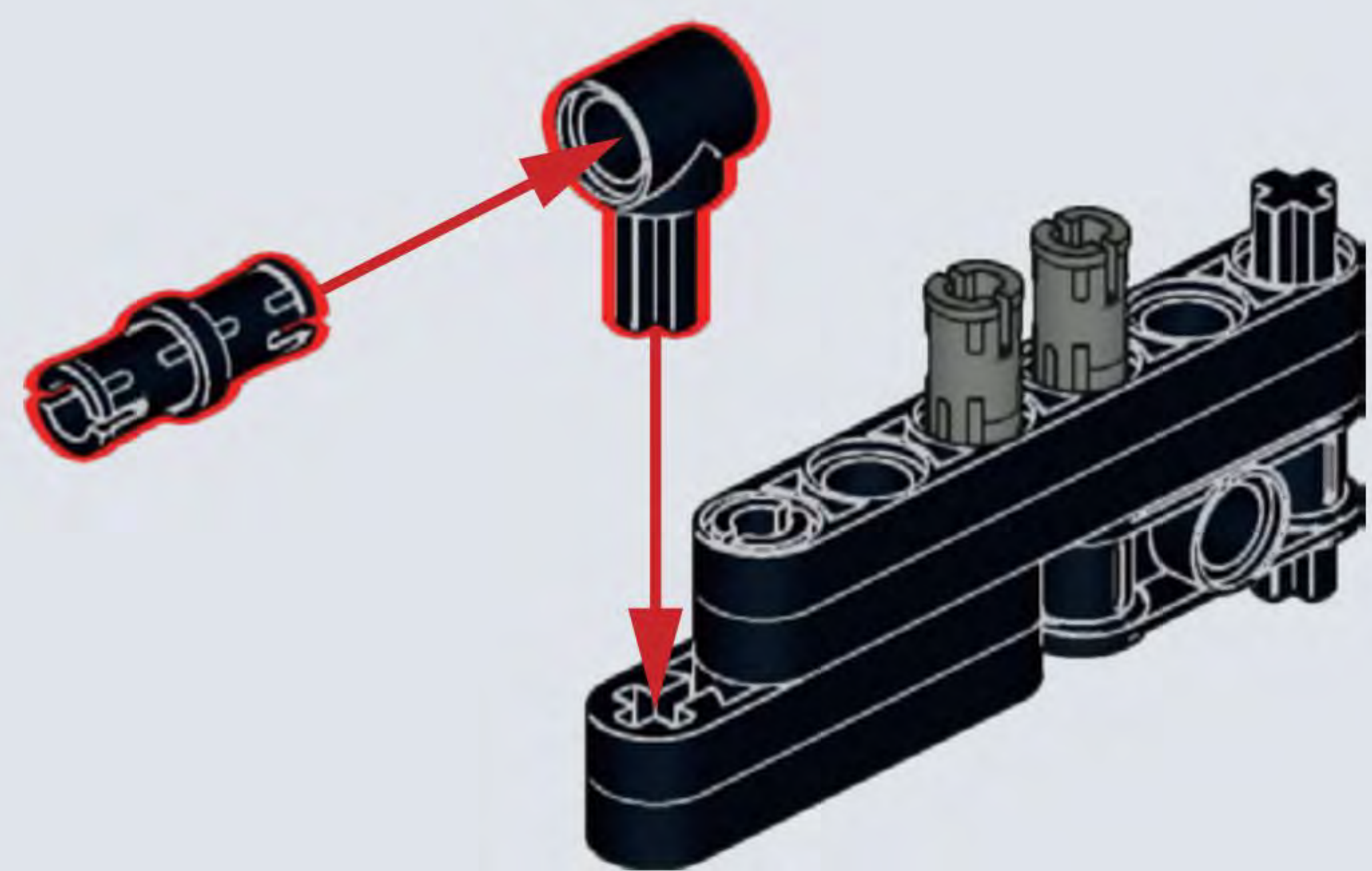
A4



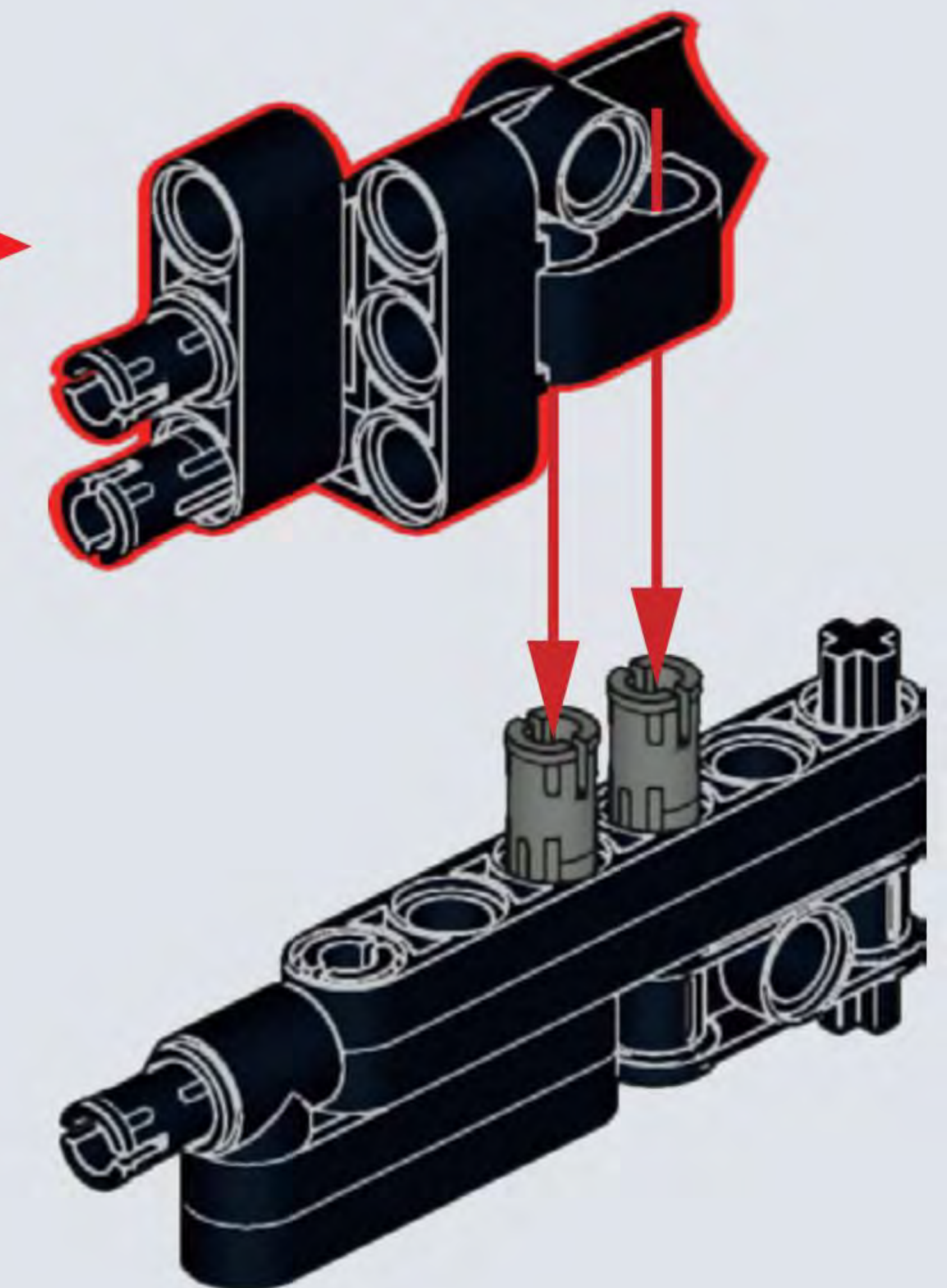
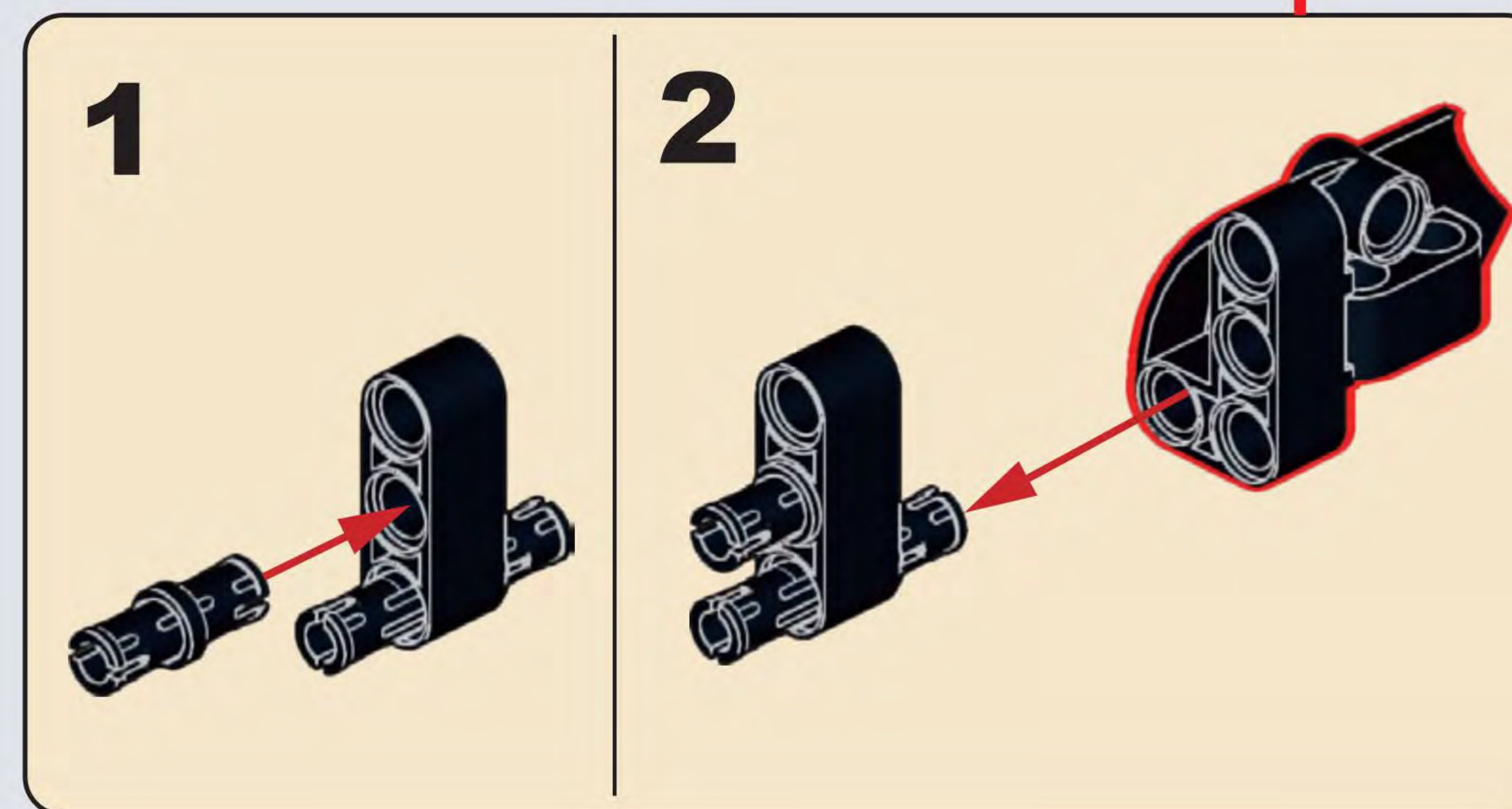
A5



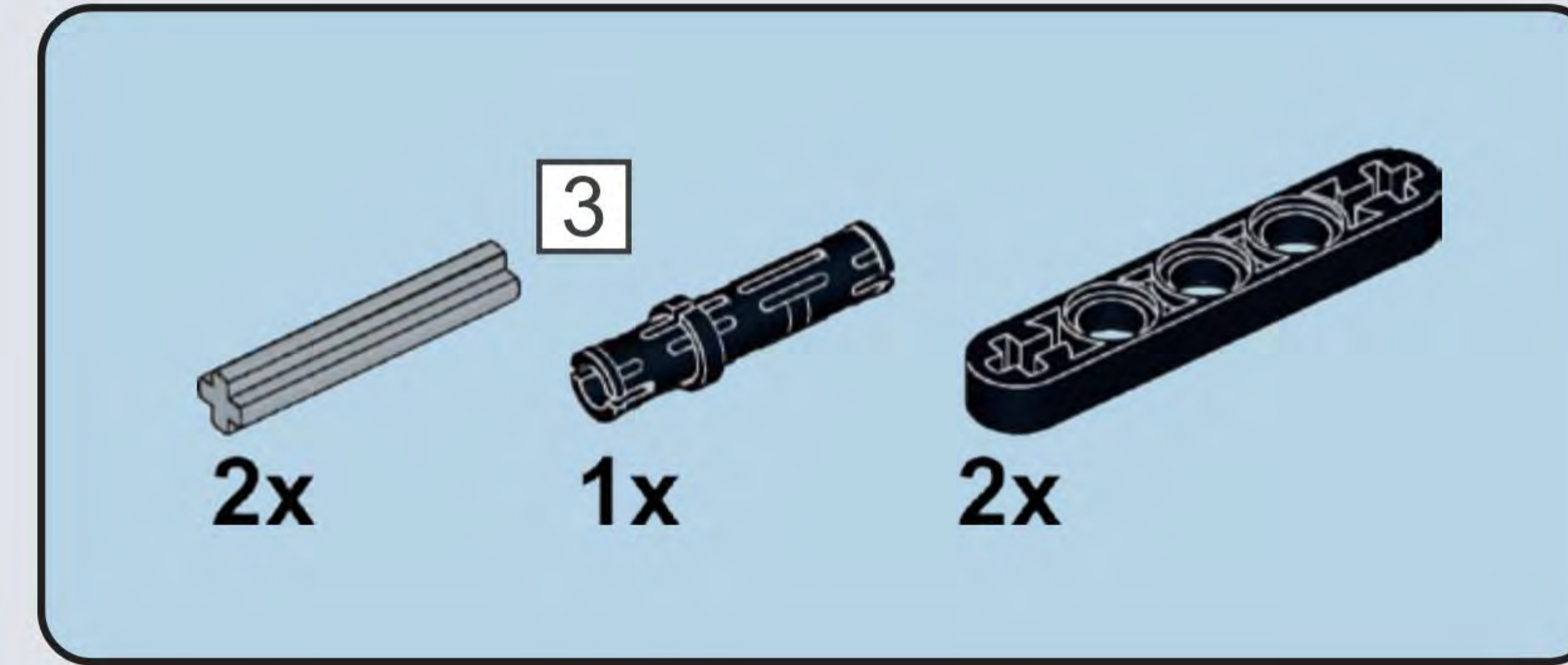
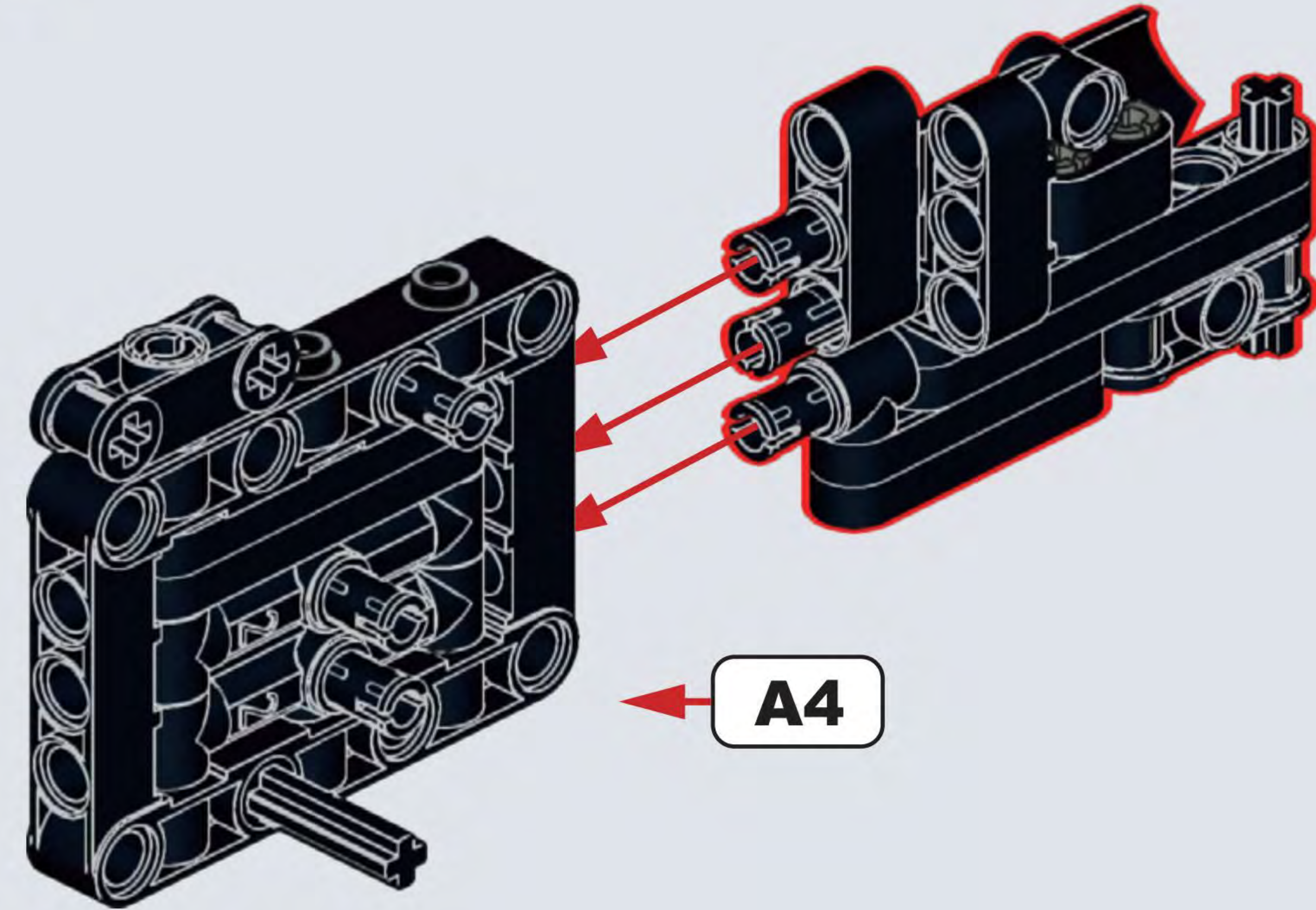
A6



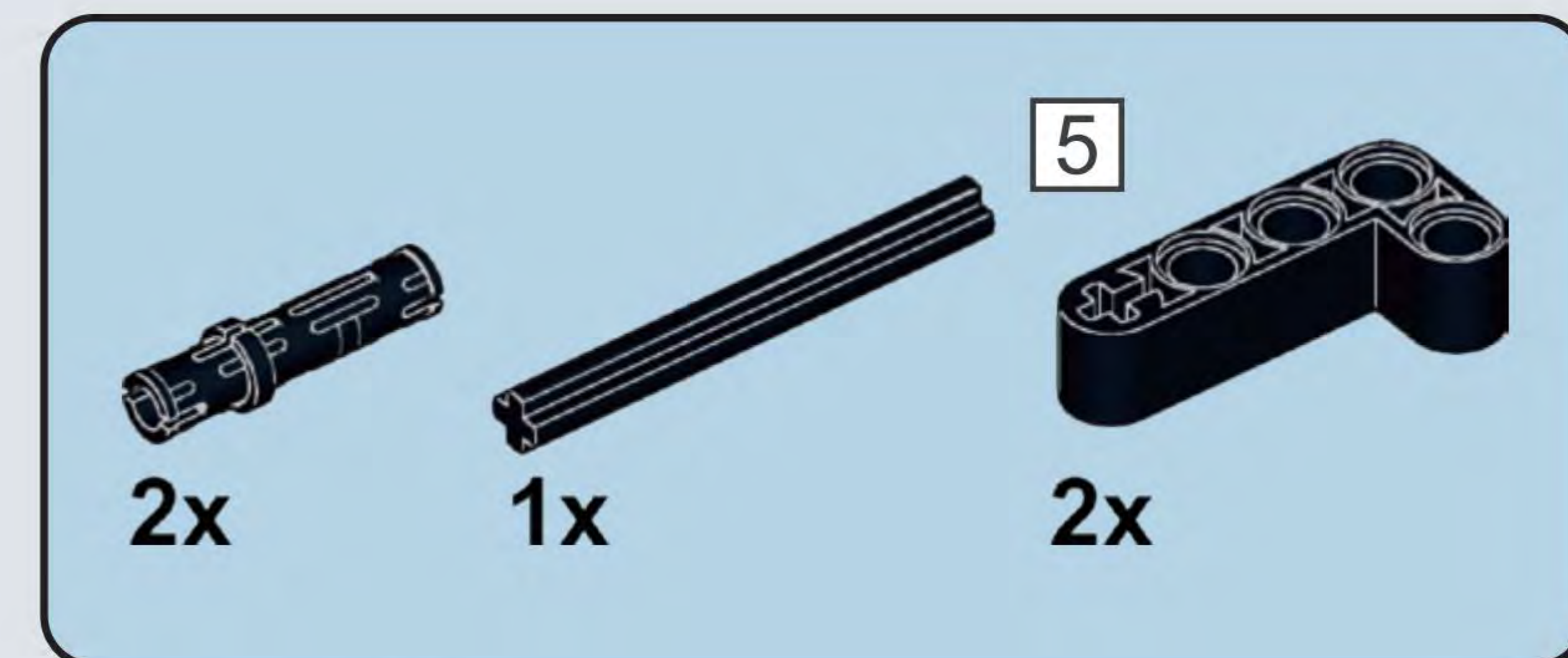
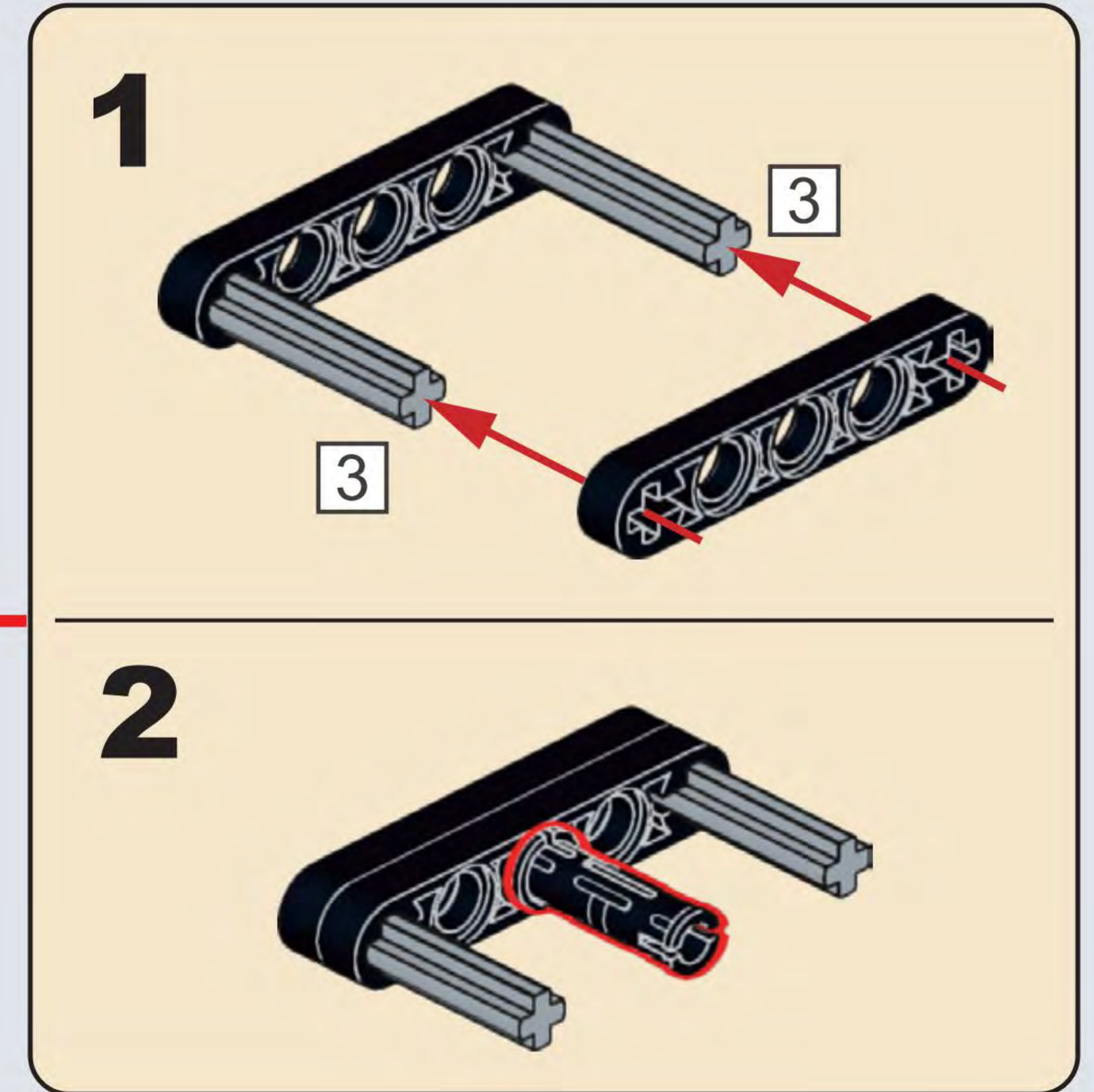
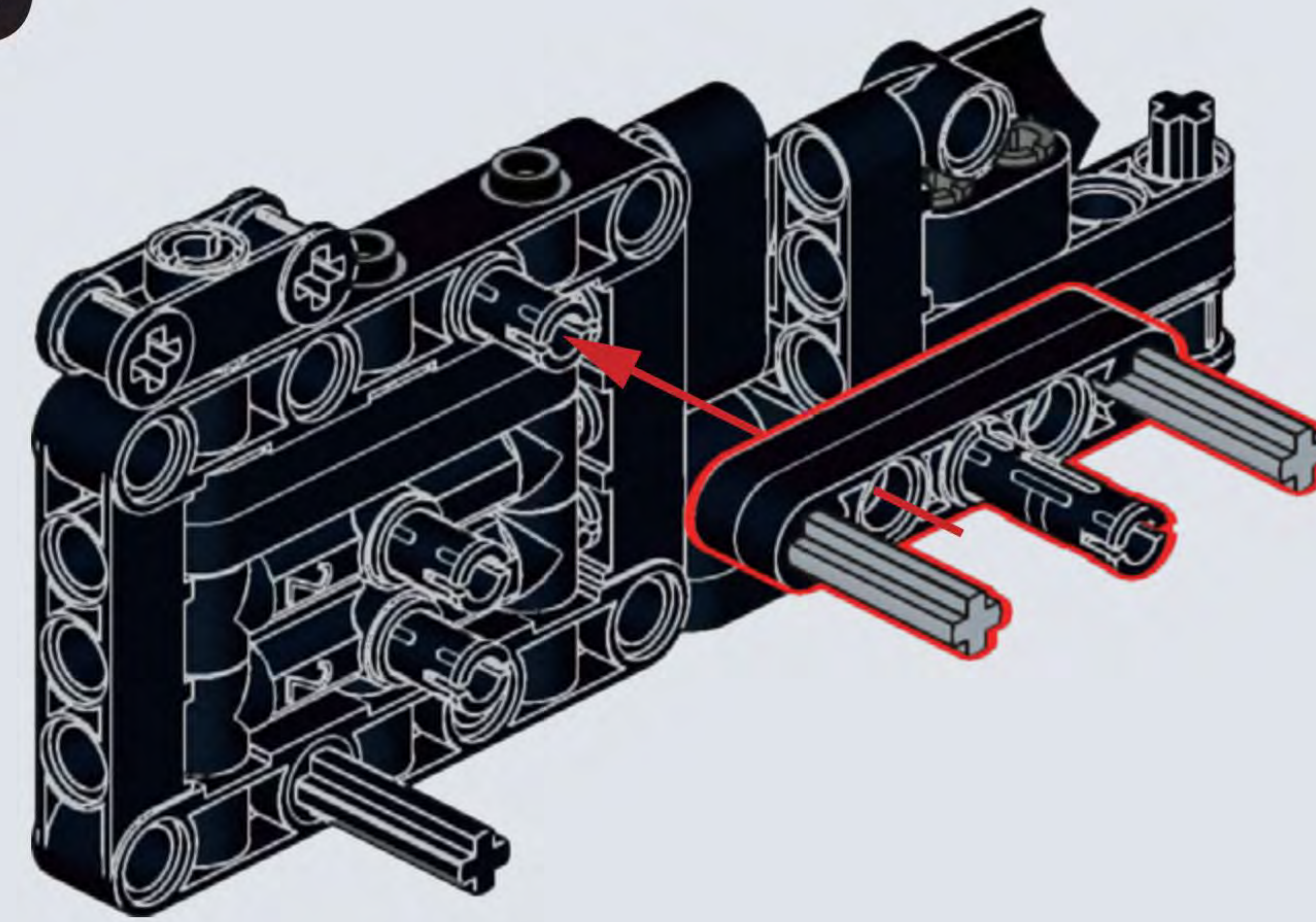
A7



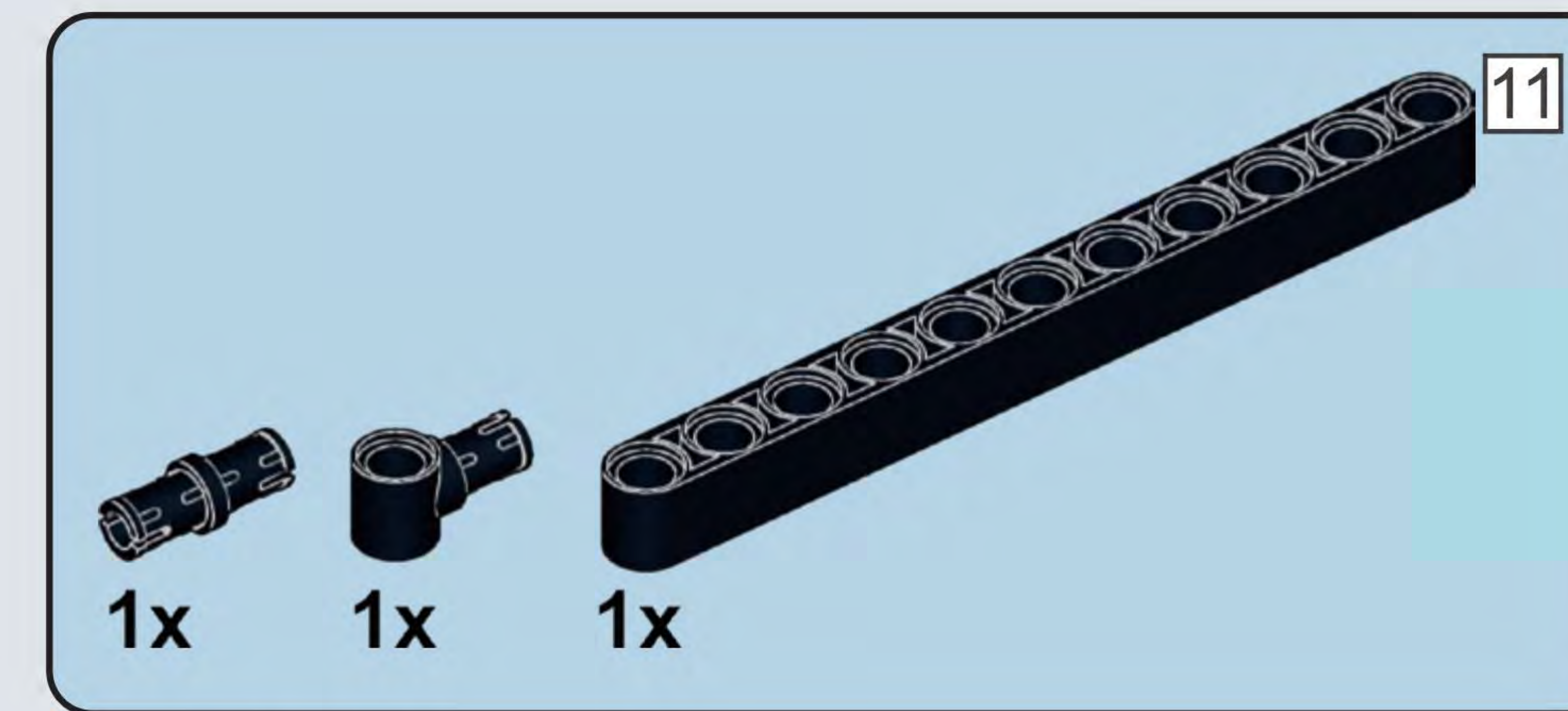
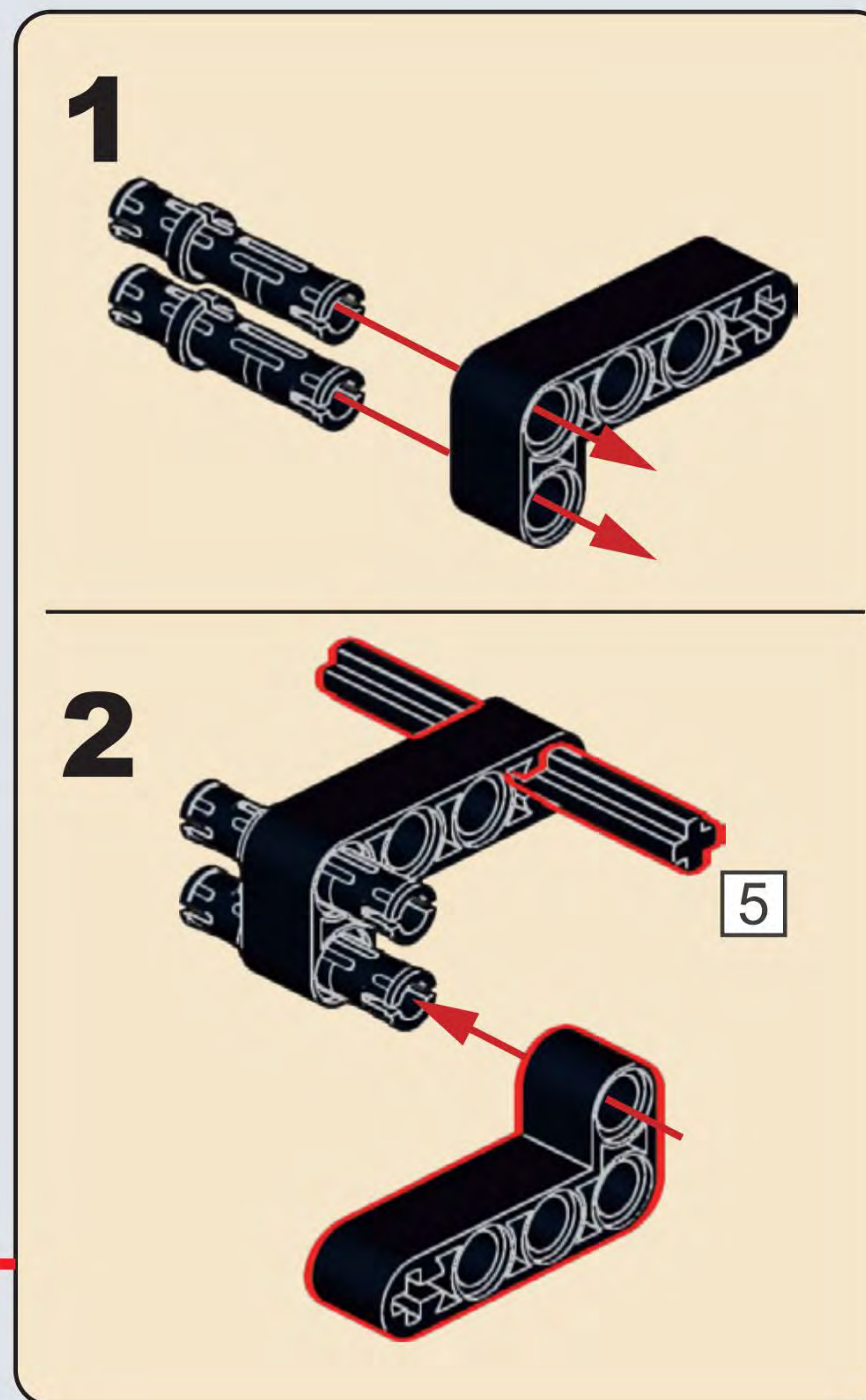
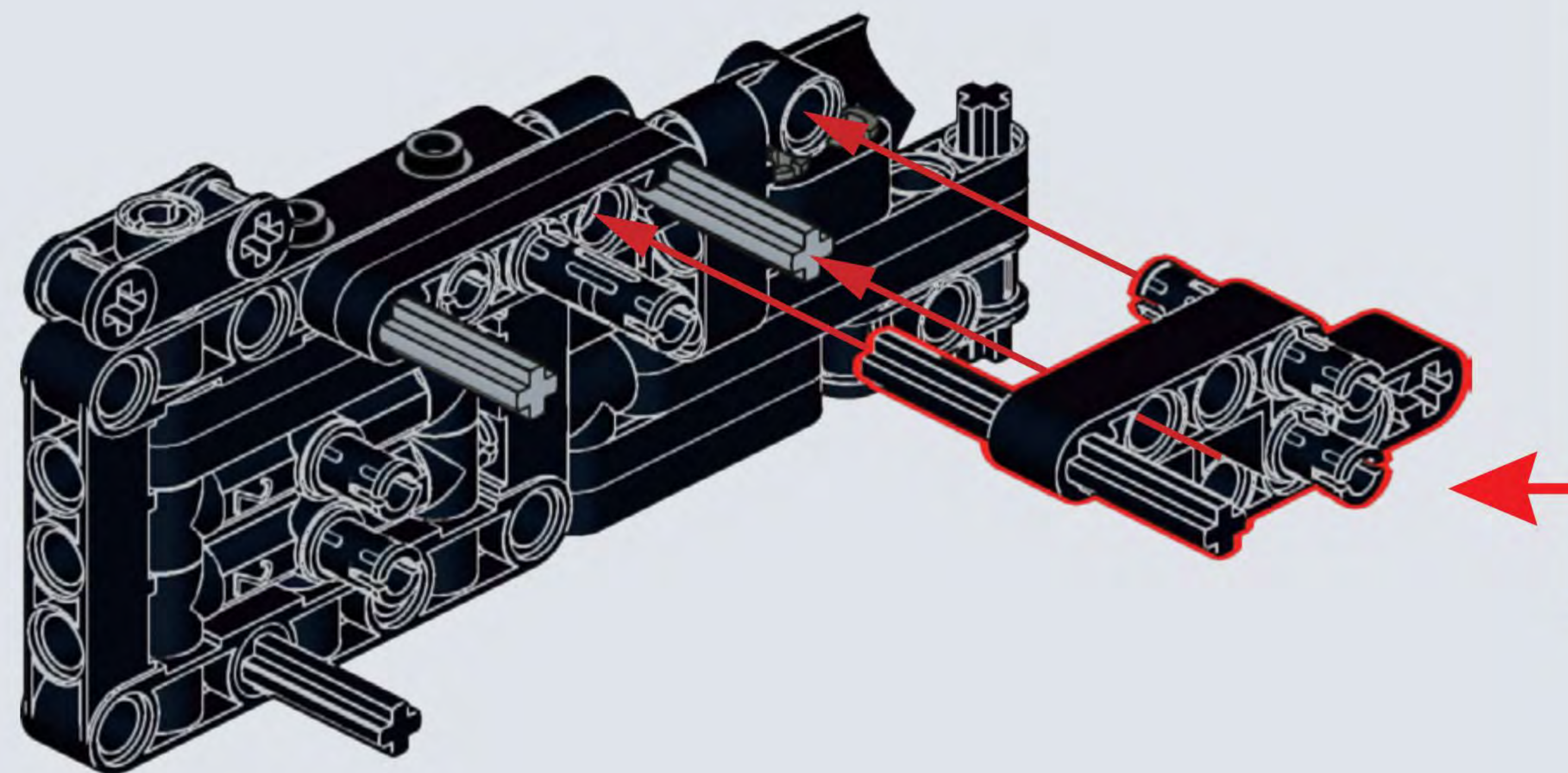
A8



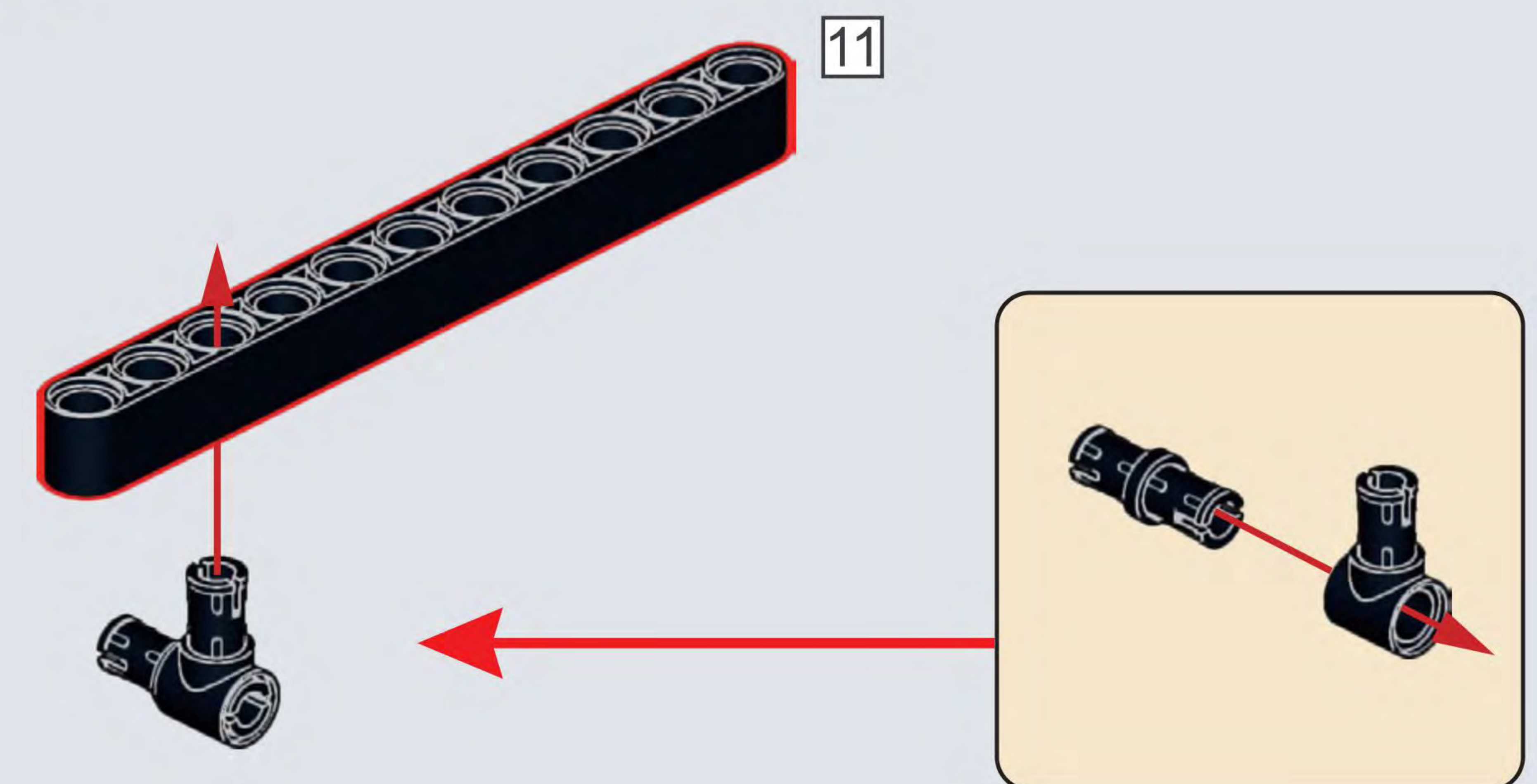
A9

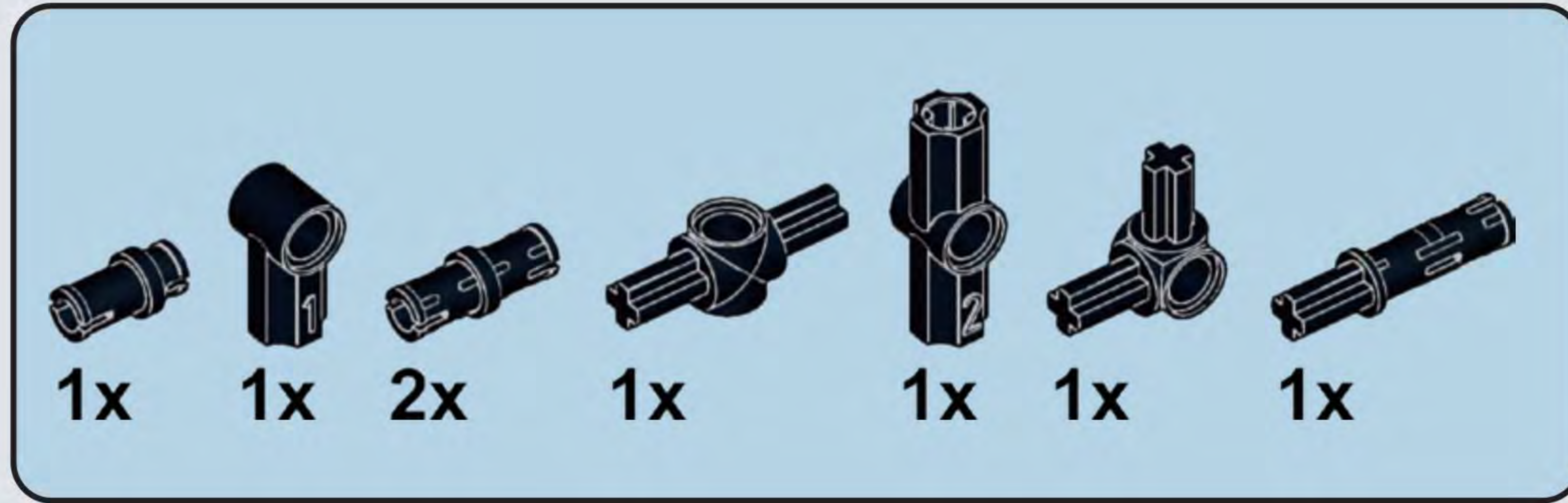


A10

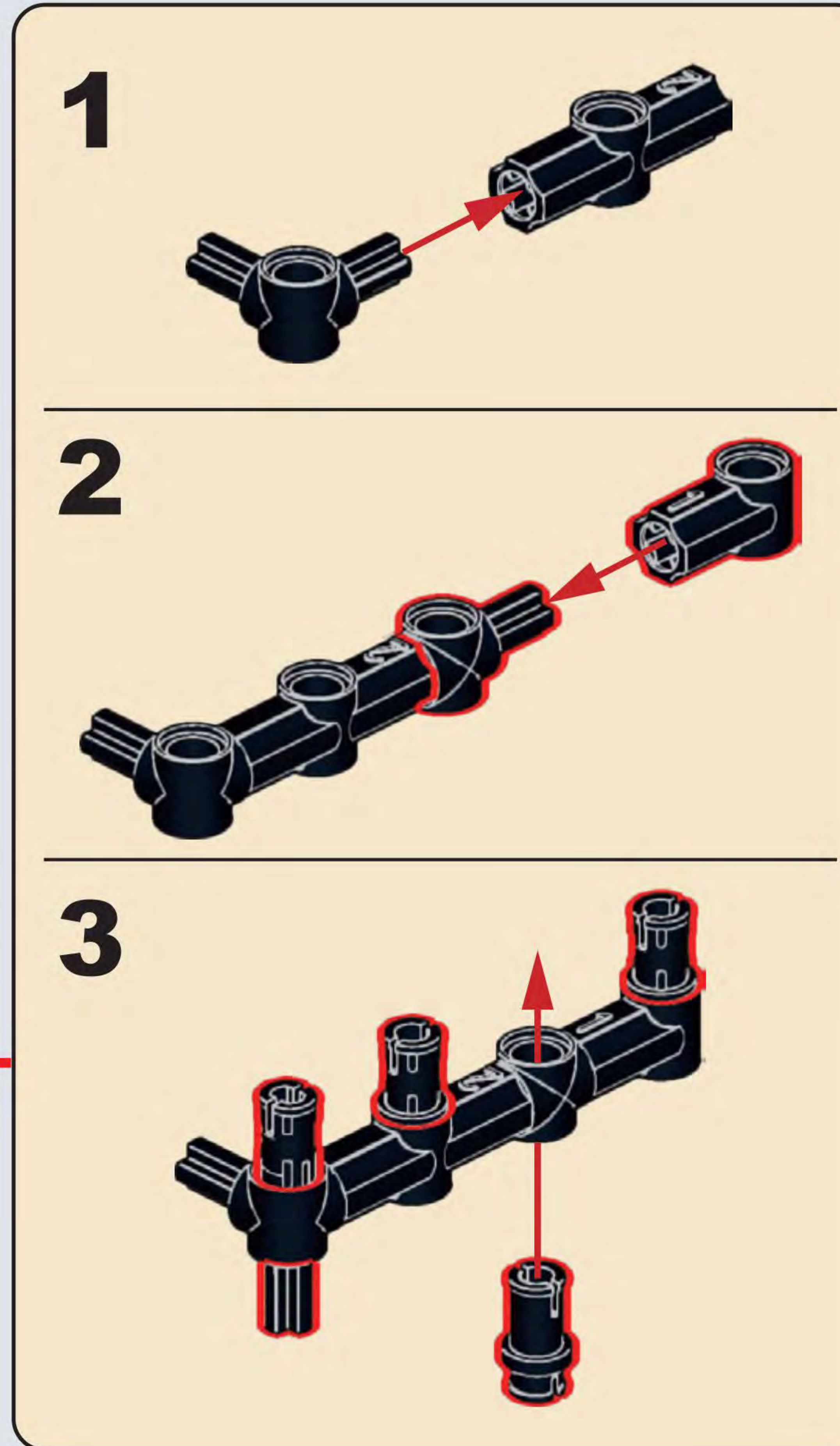
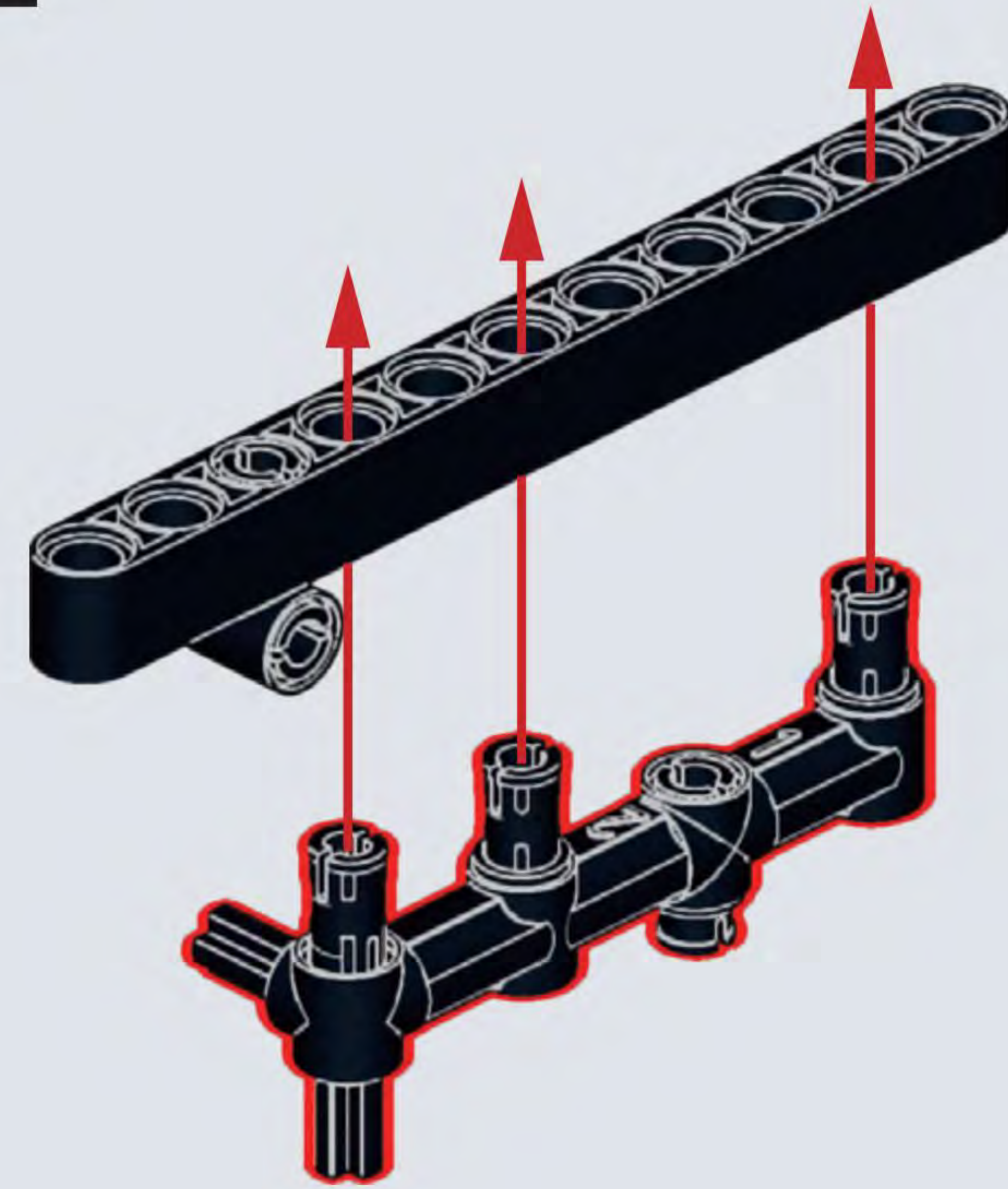


A11

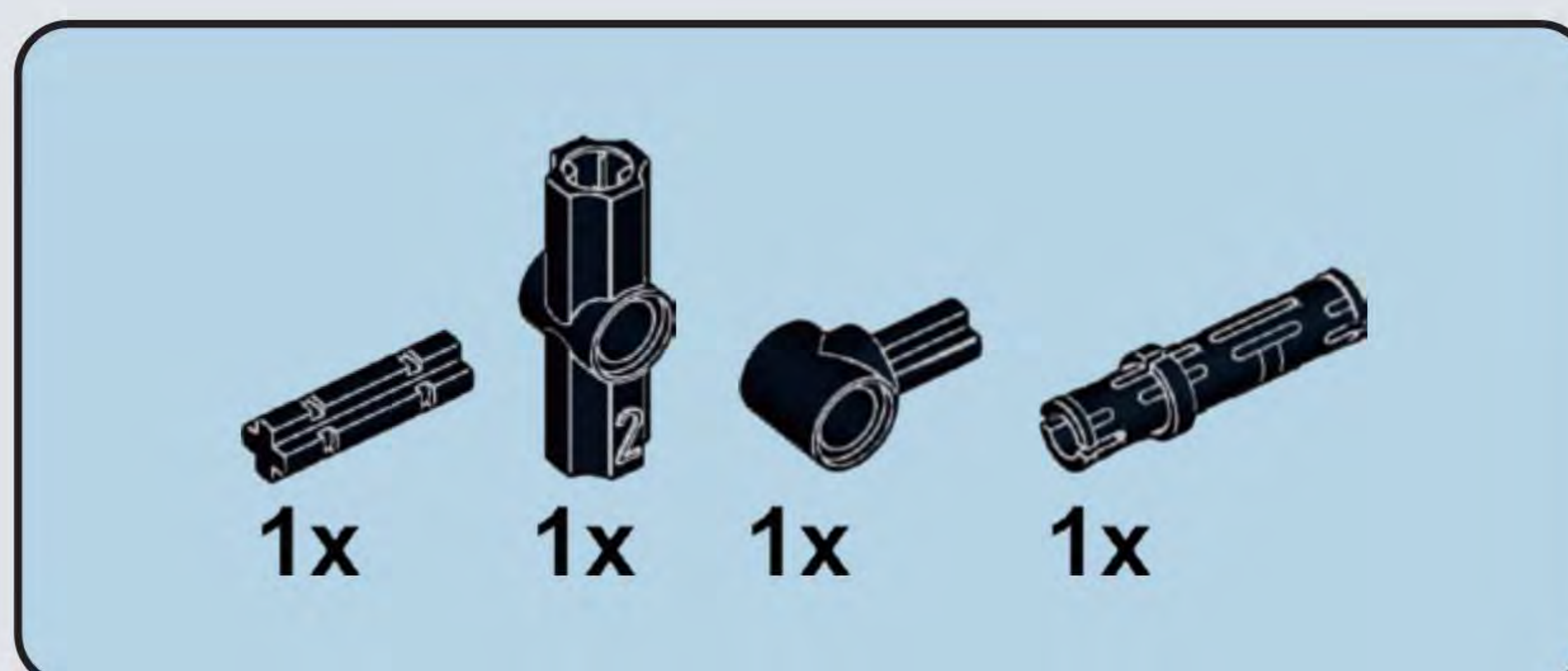
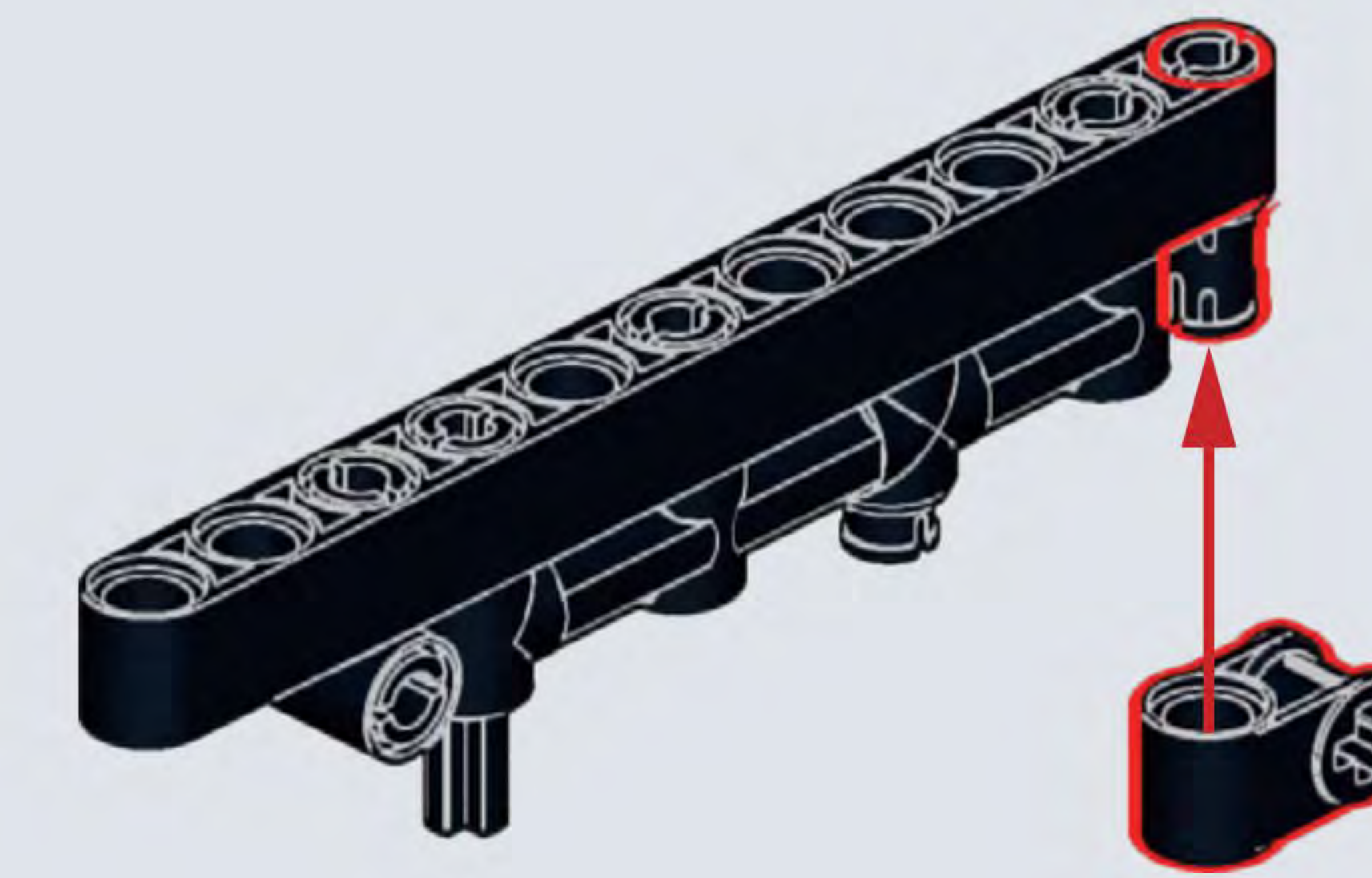




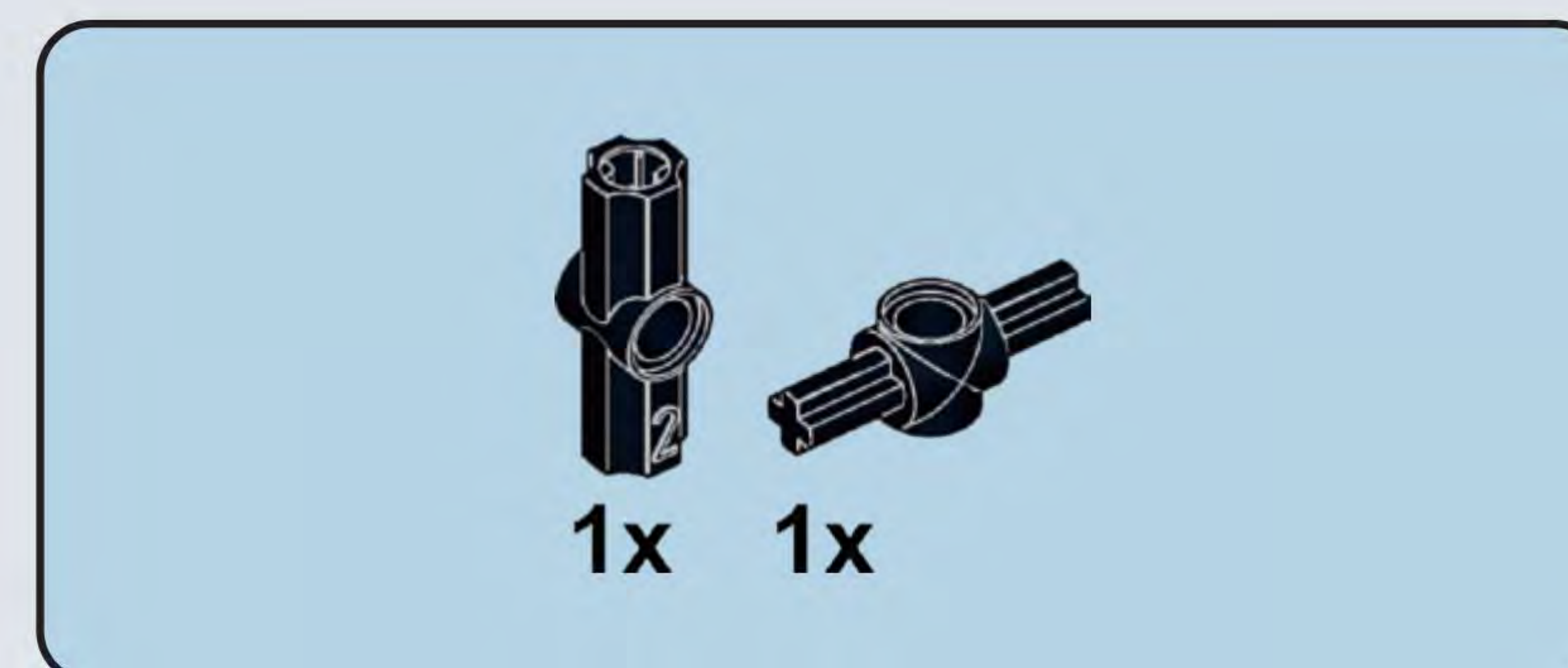
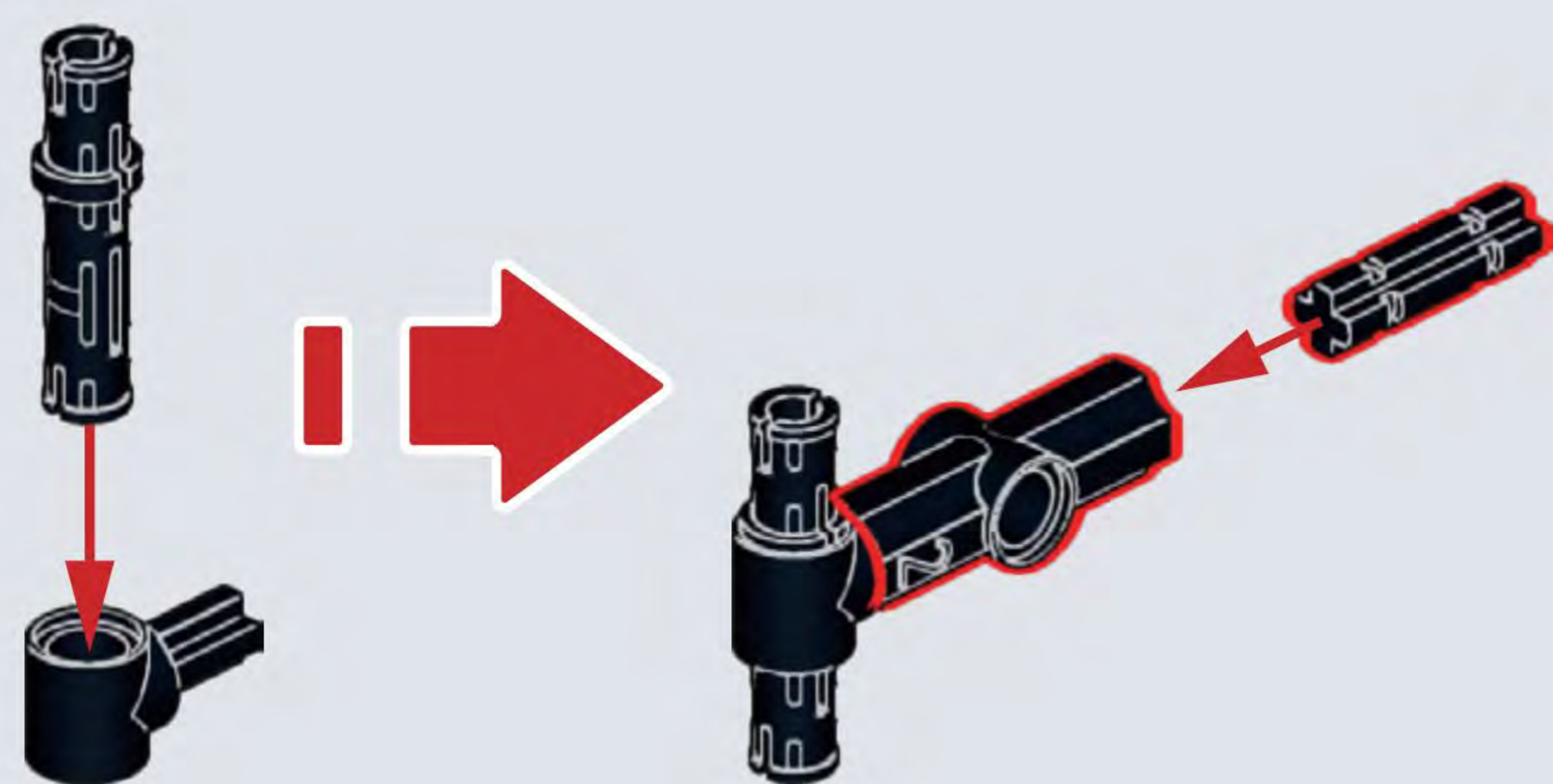
A12



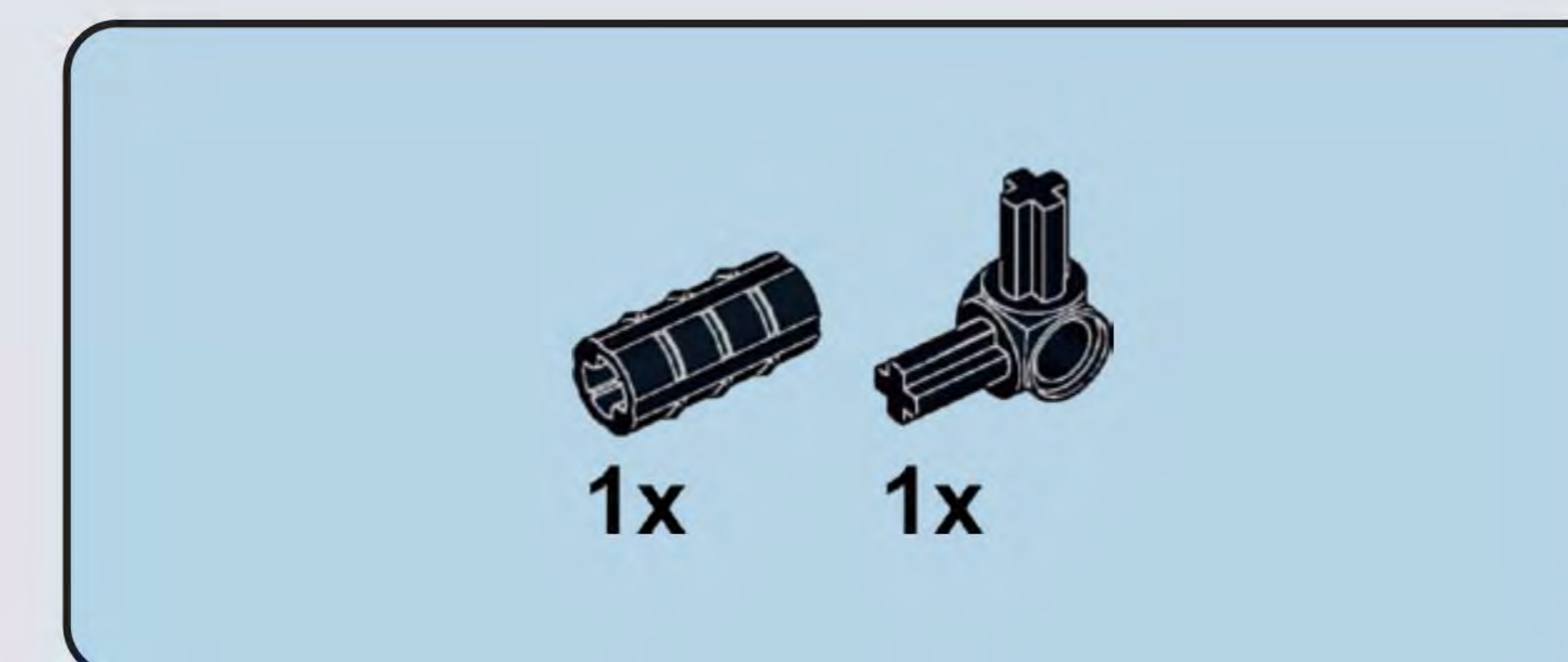
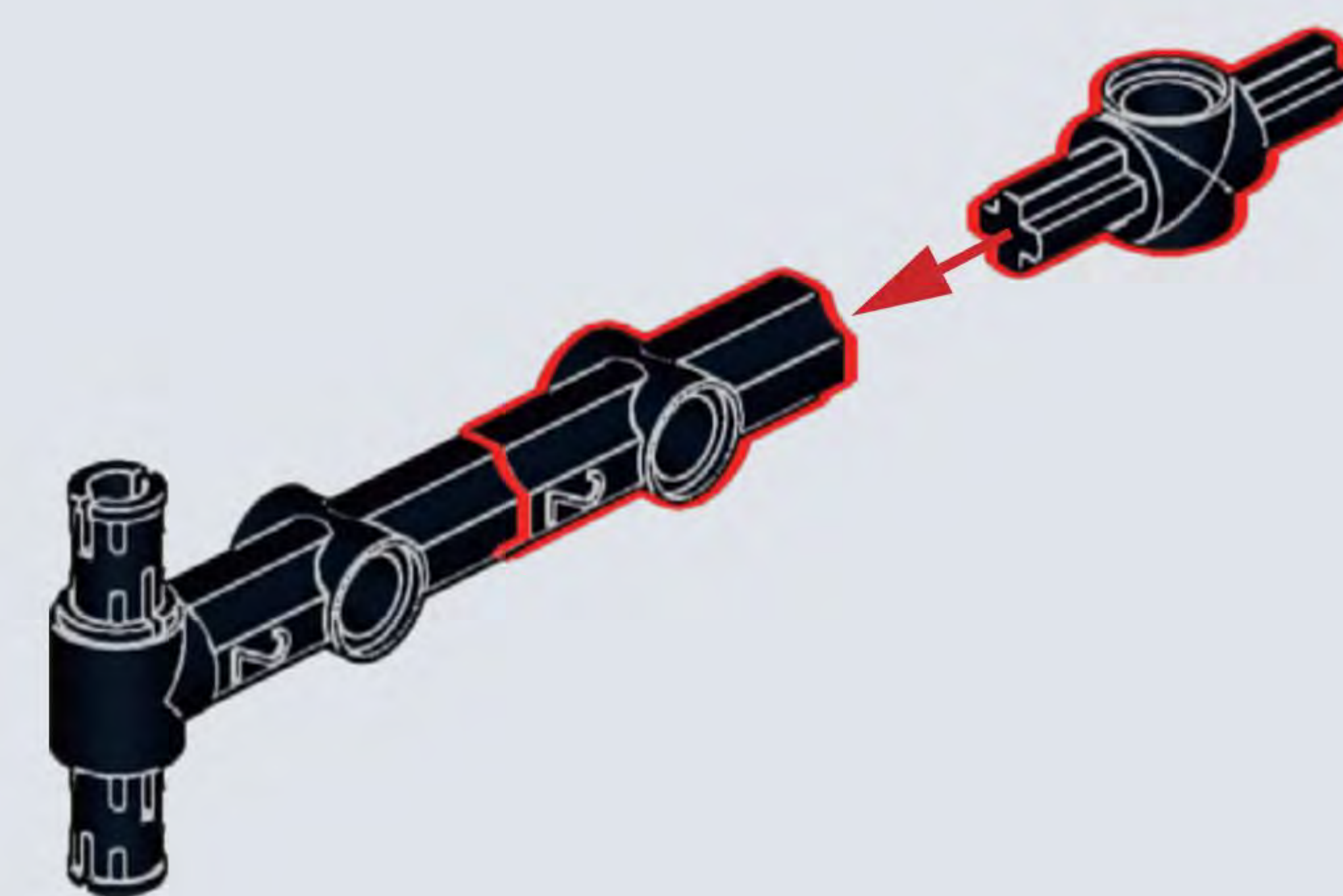
A13



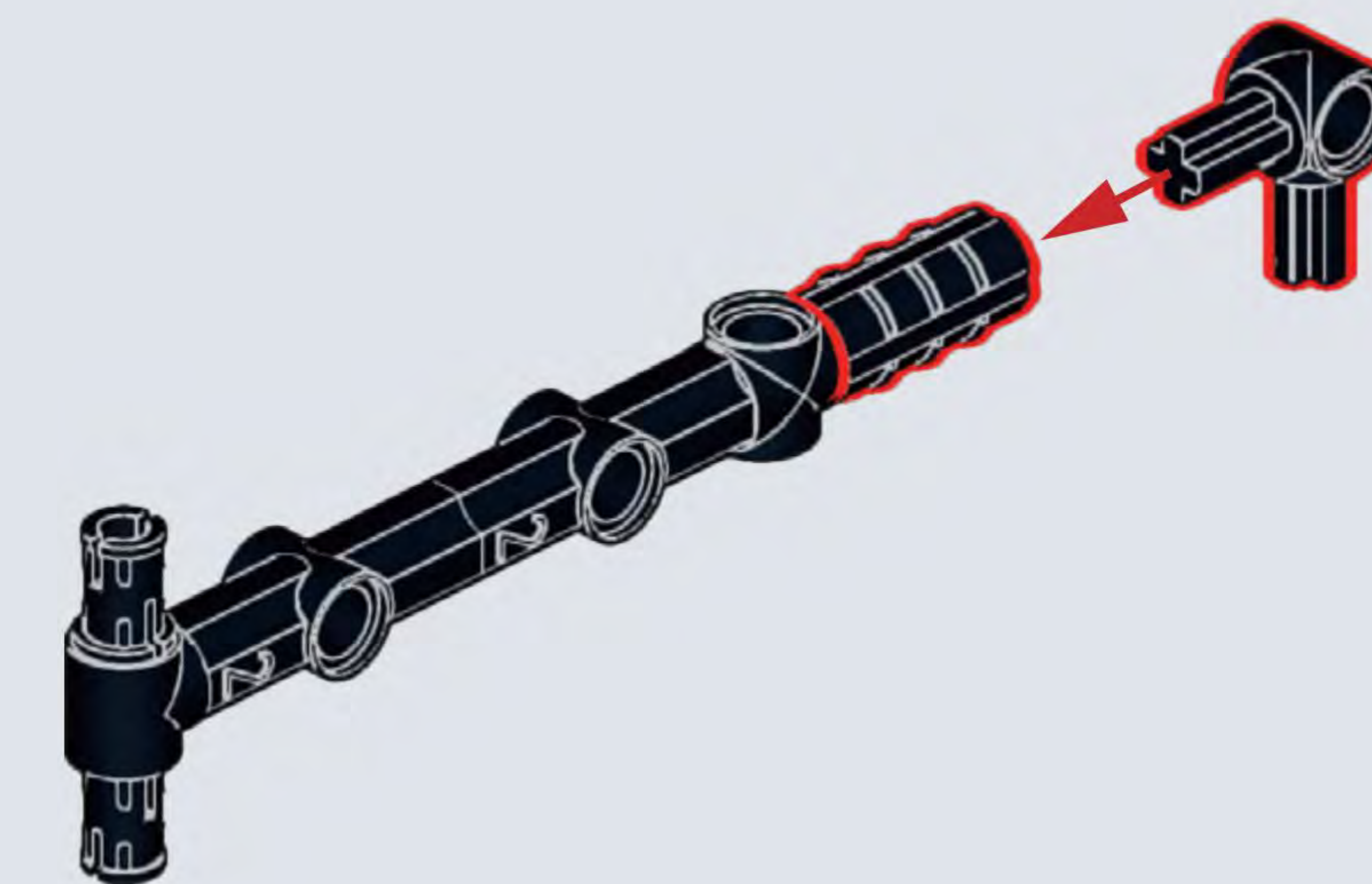
A14



A15

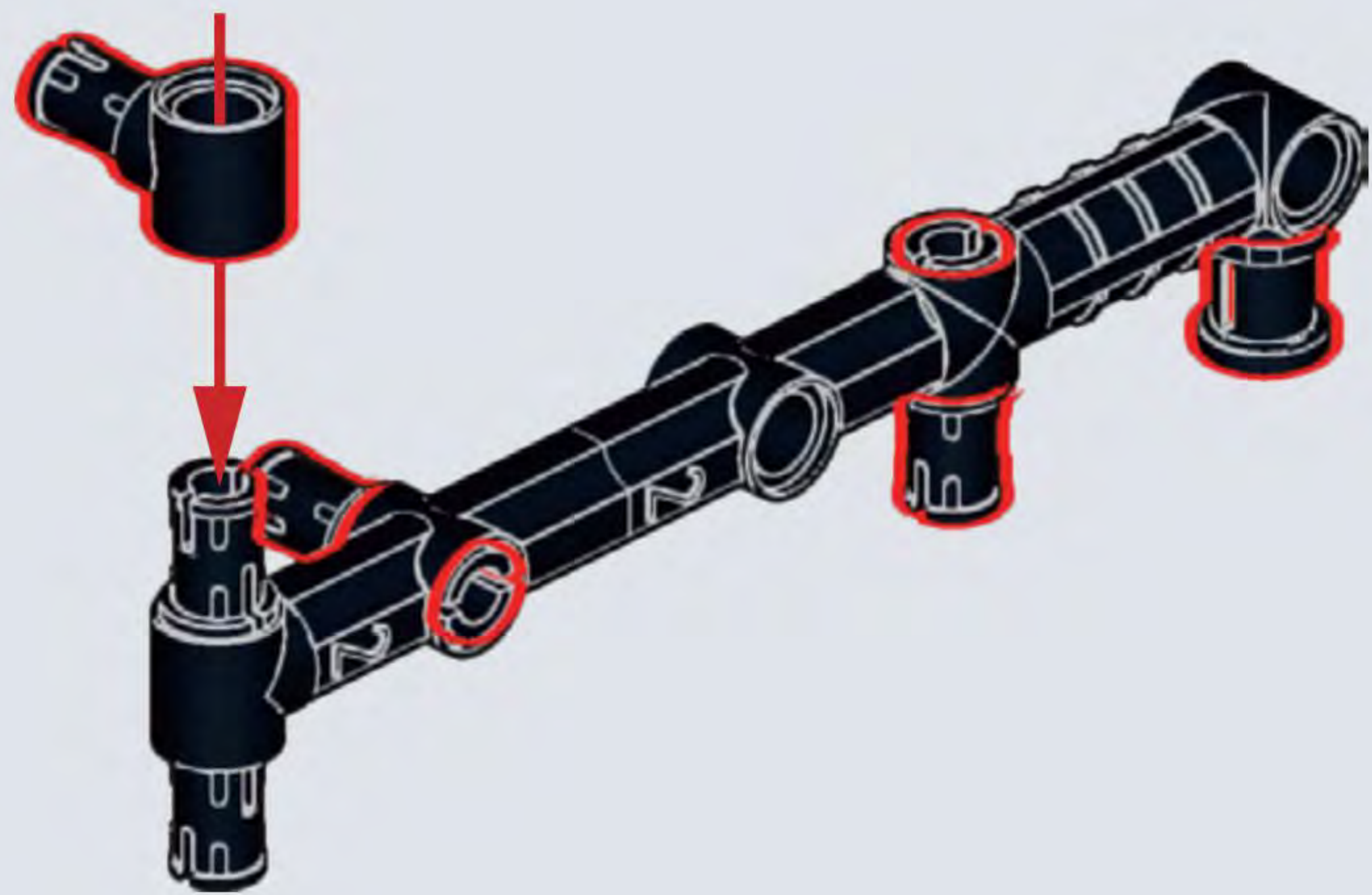


A16

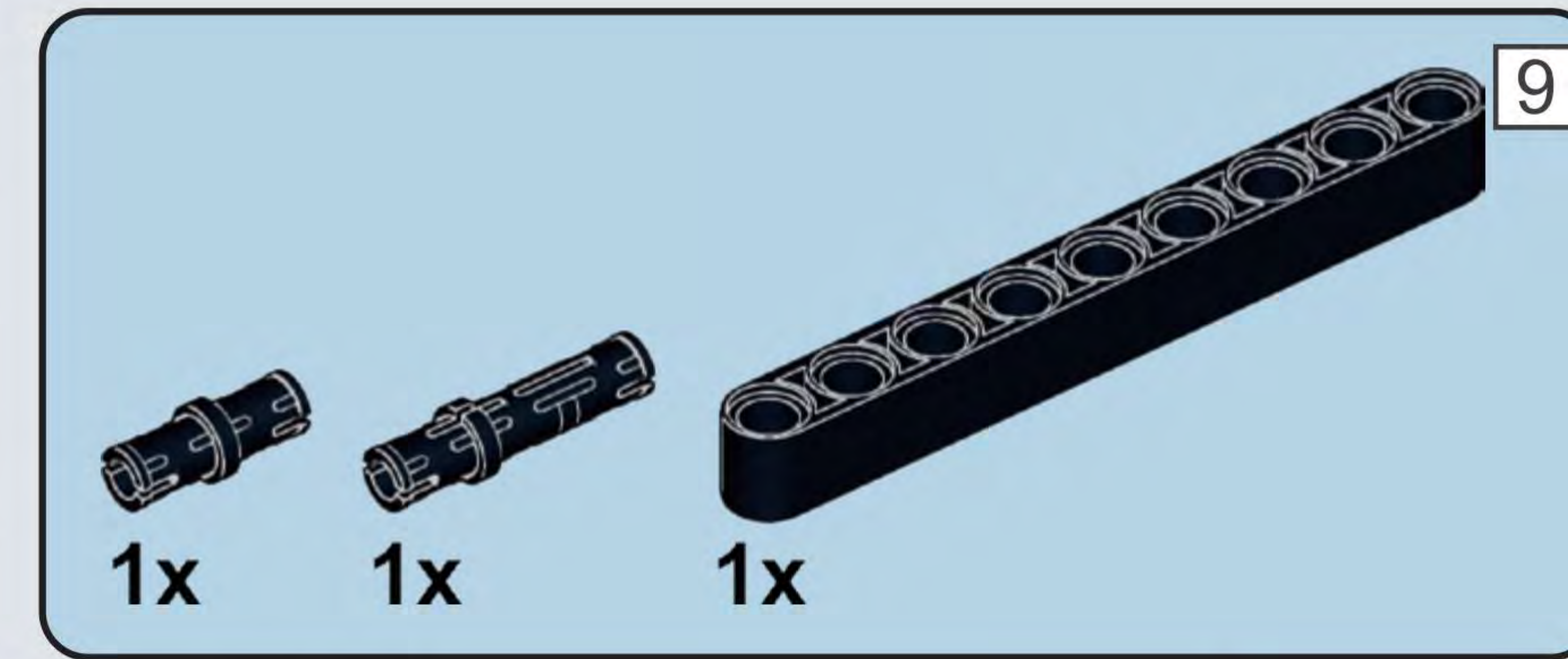
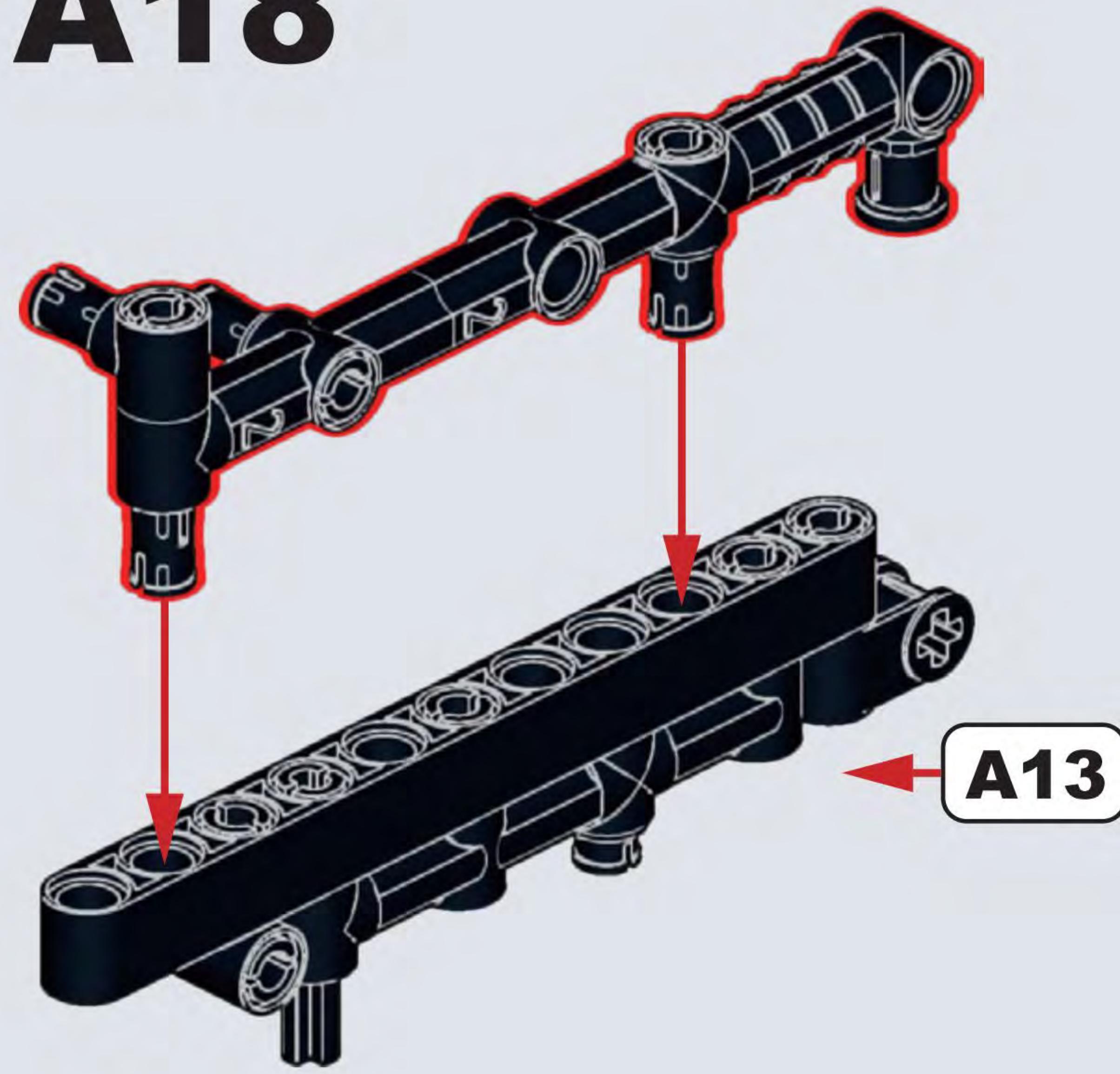




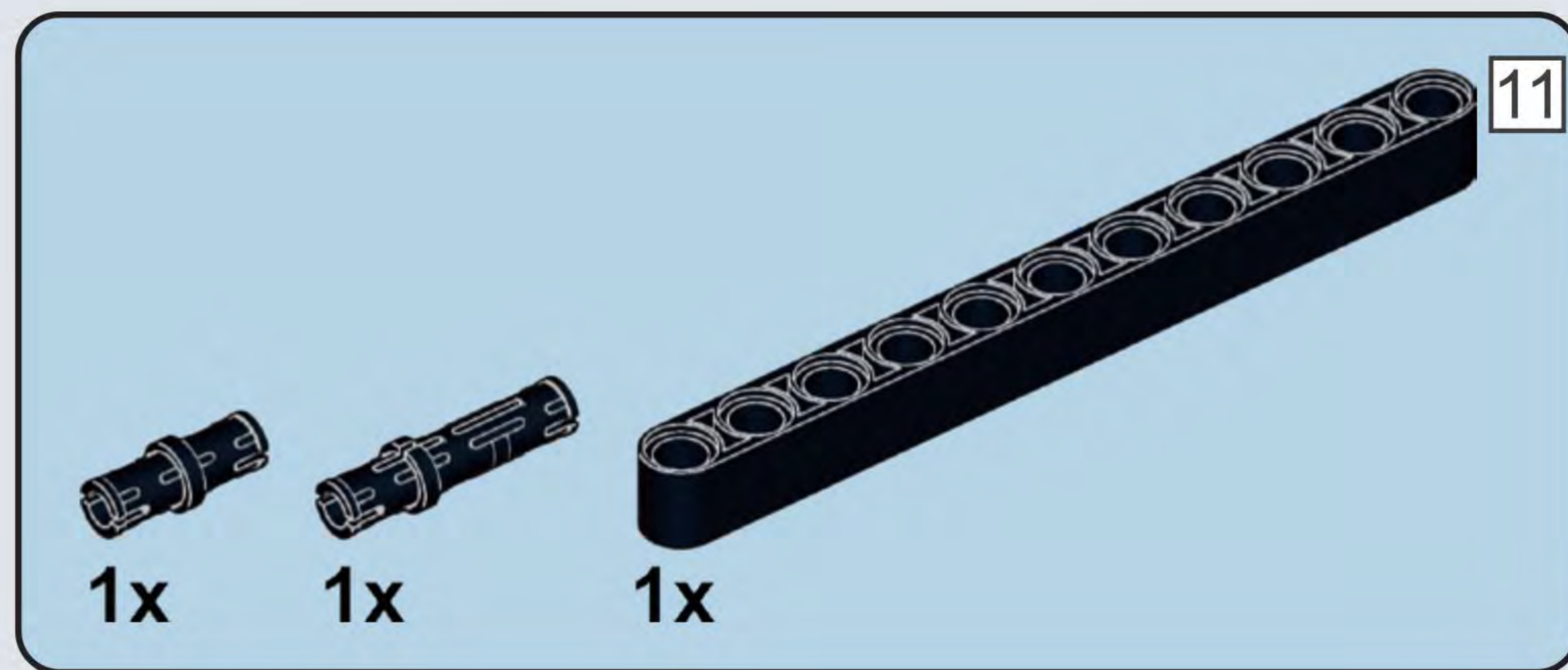
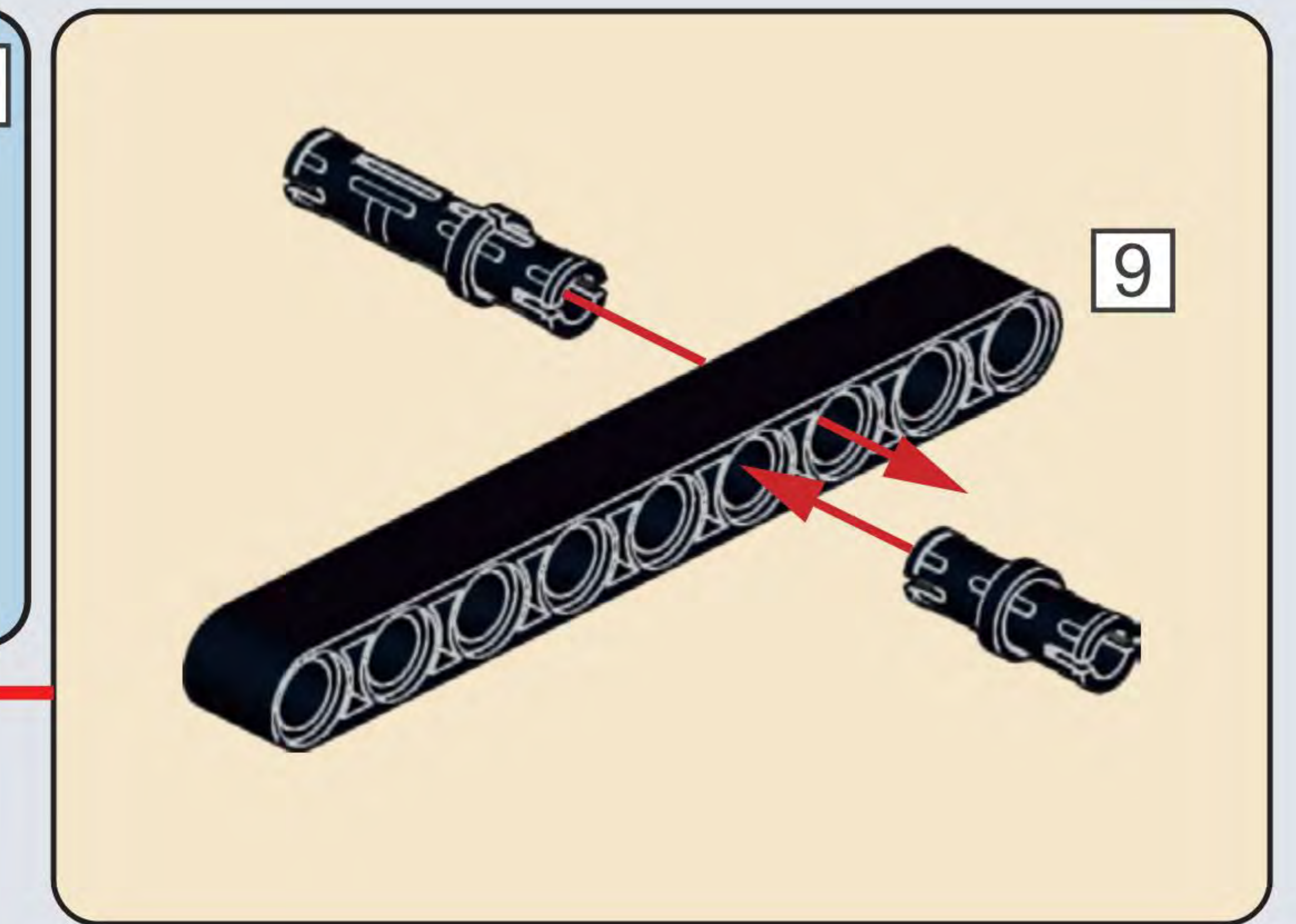
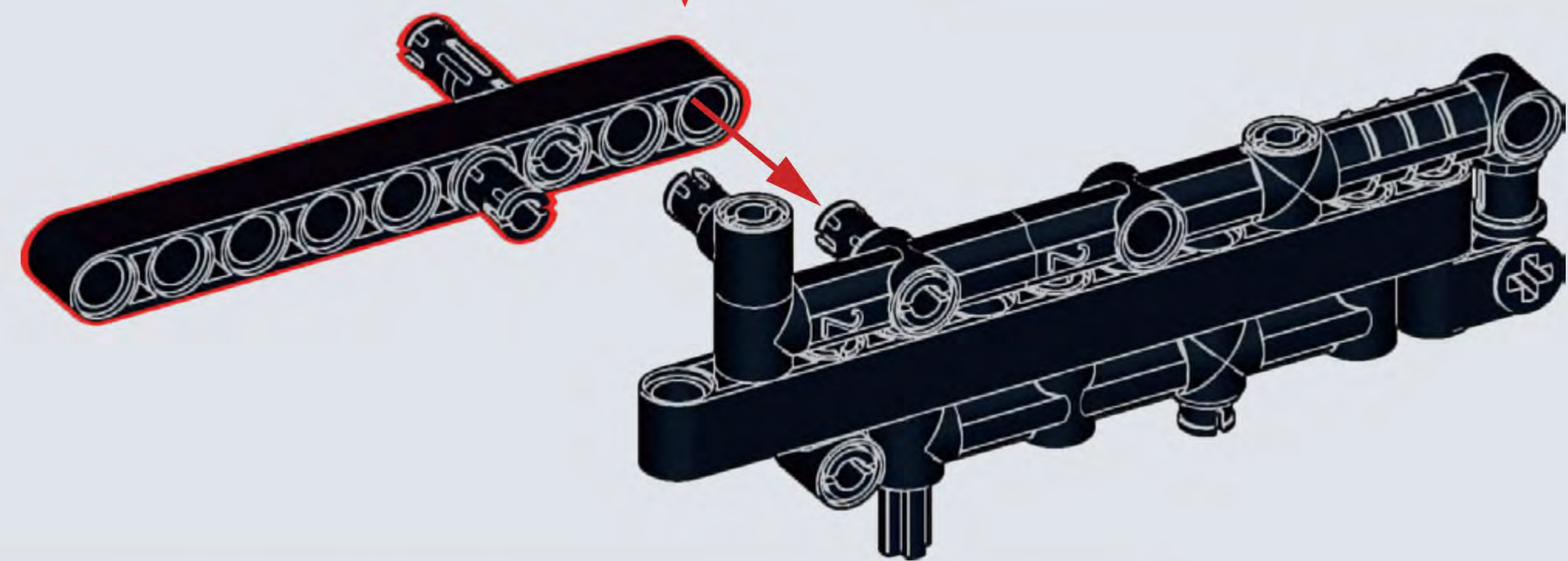
A17



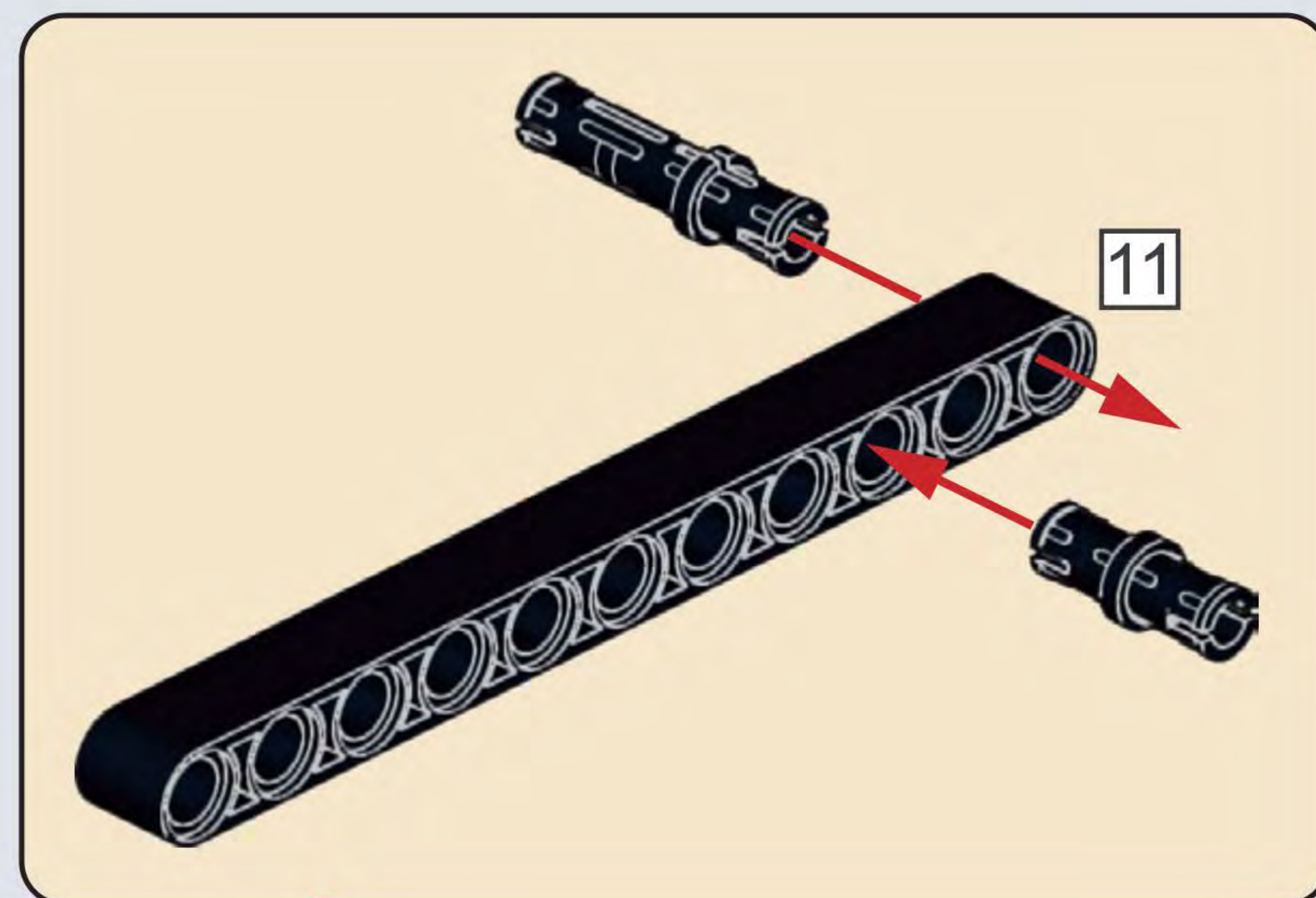
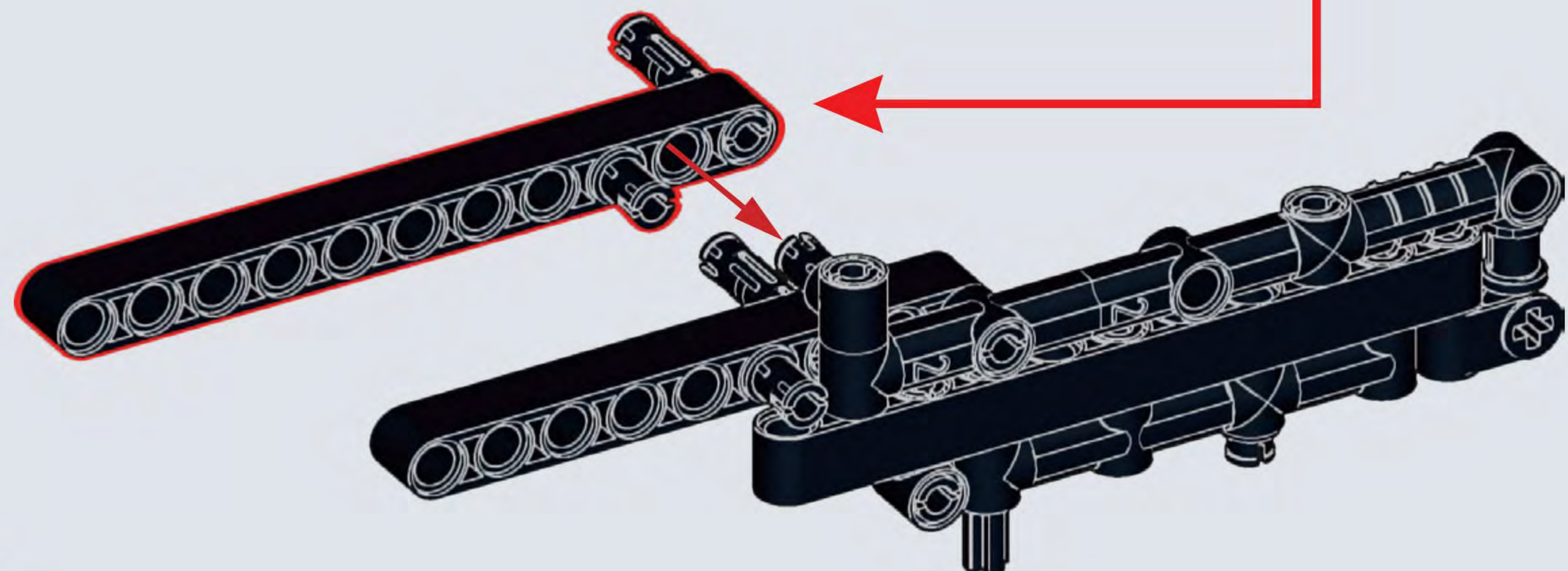
A18



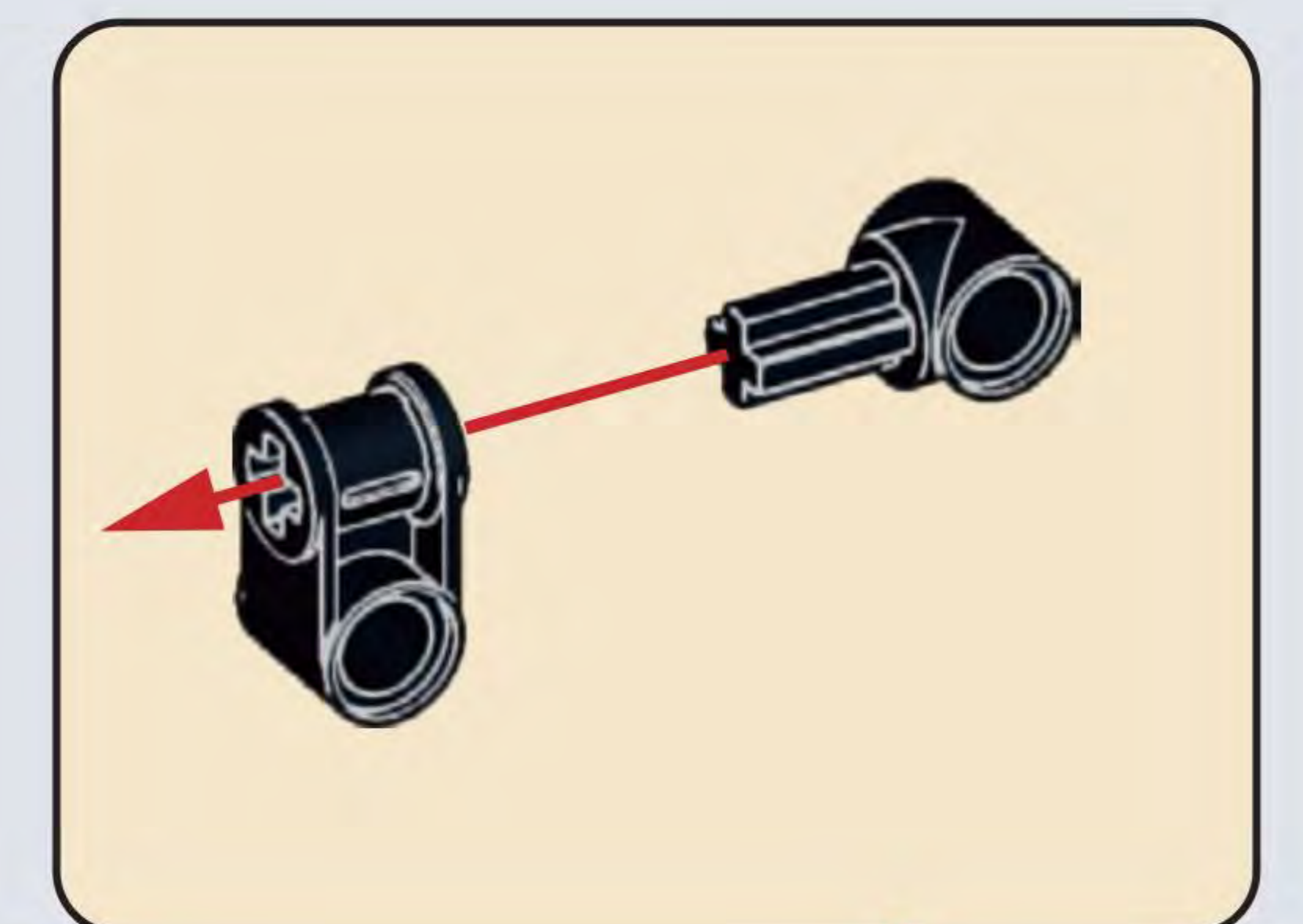
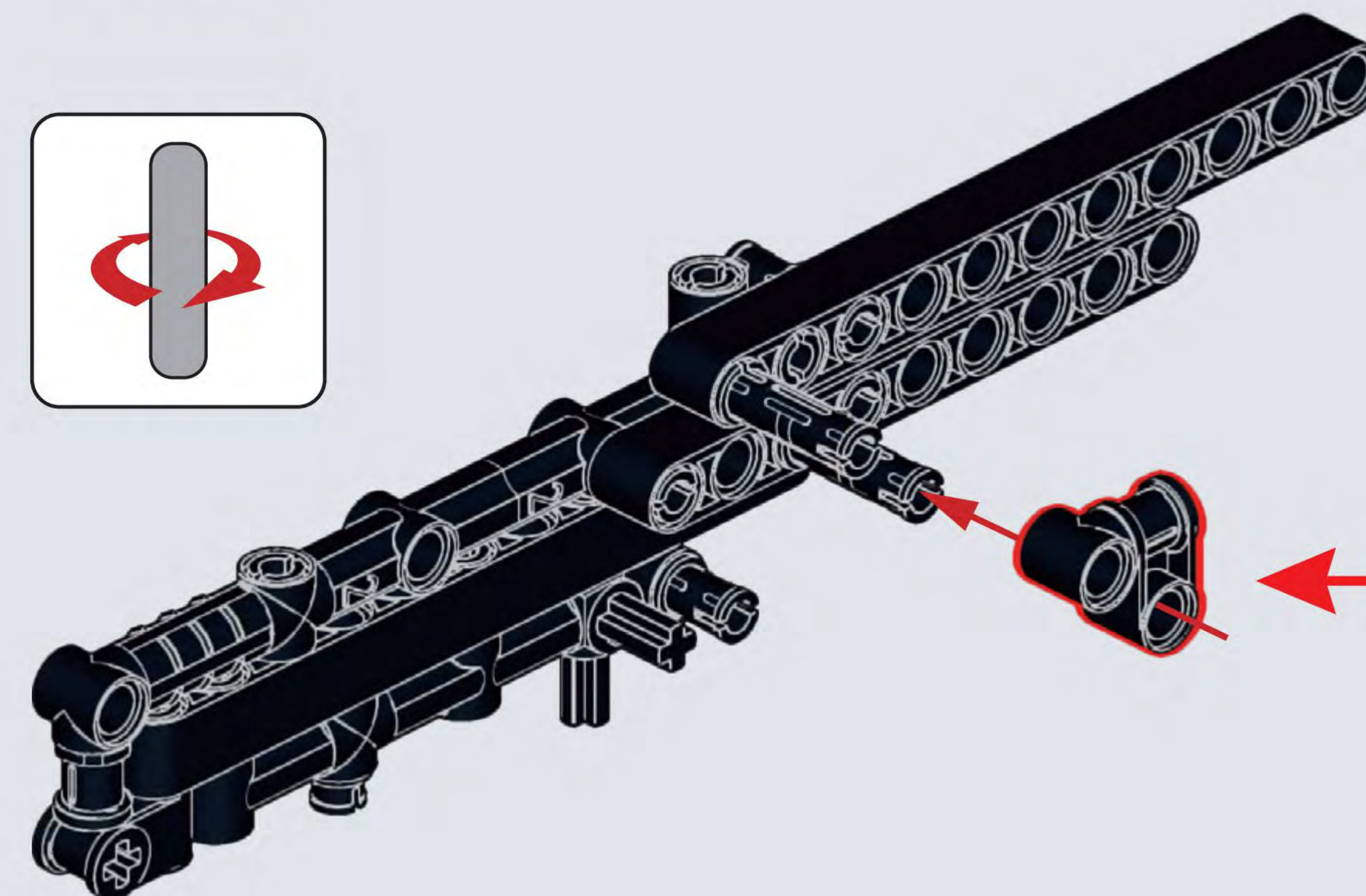
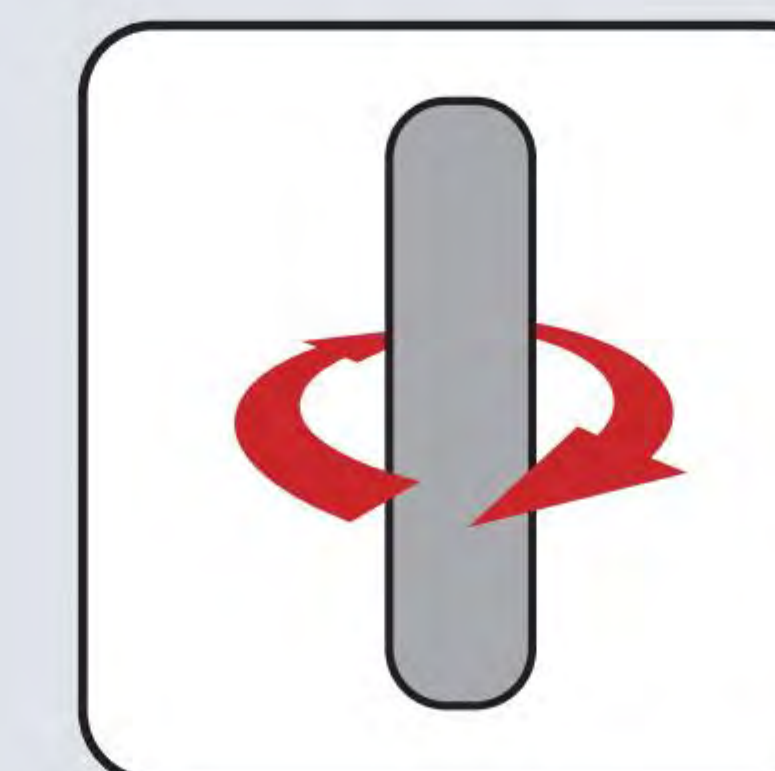
A19



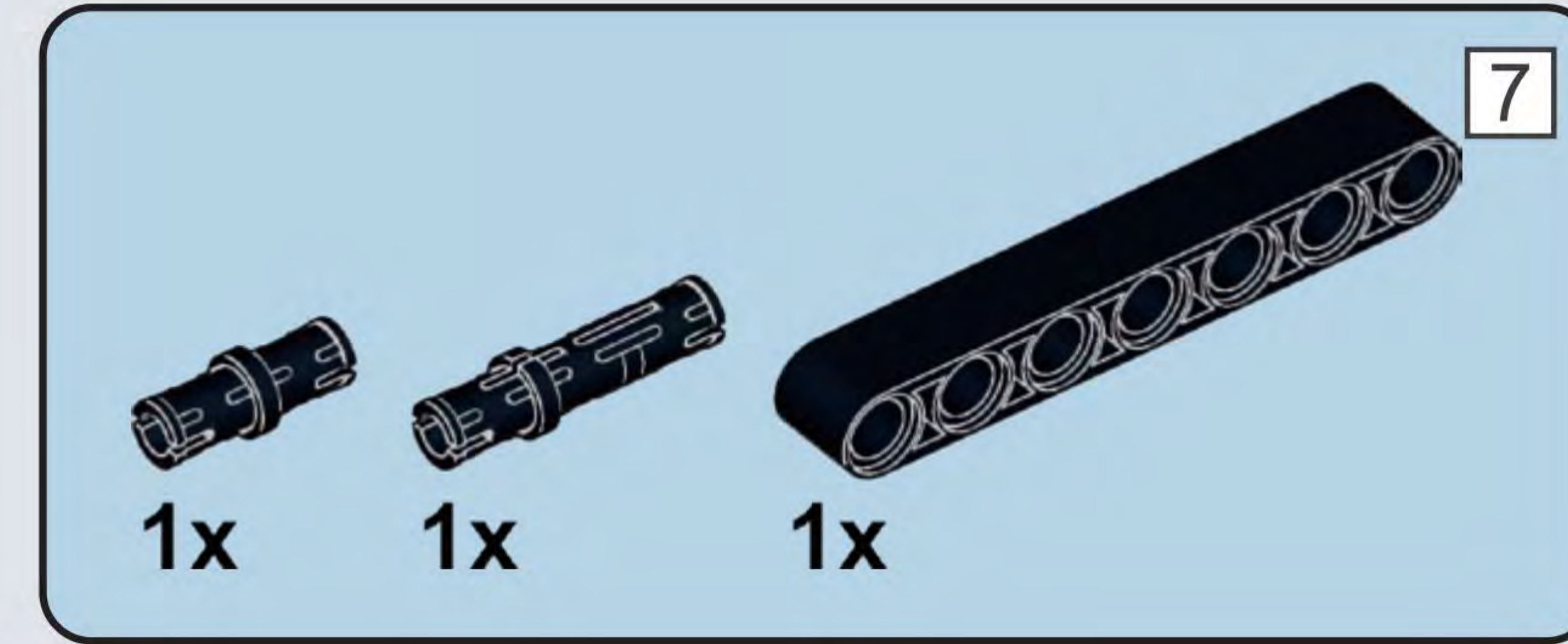
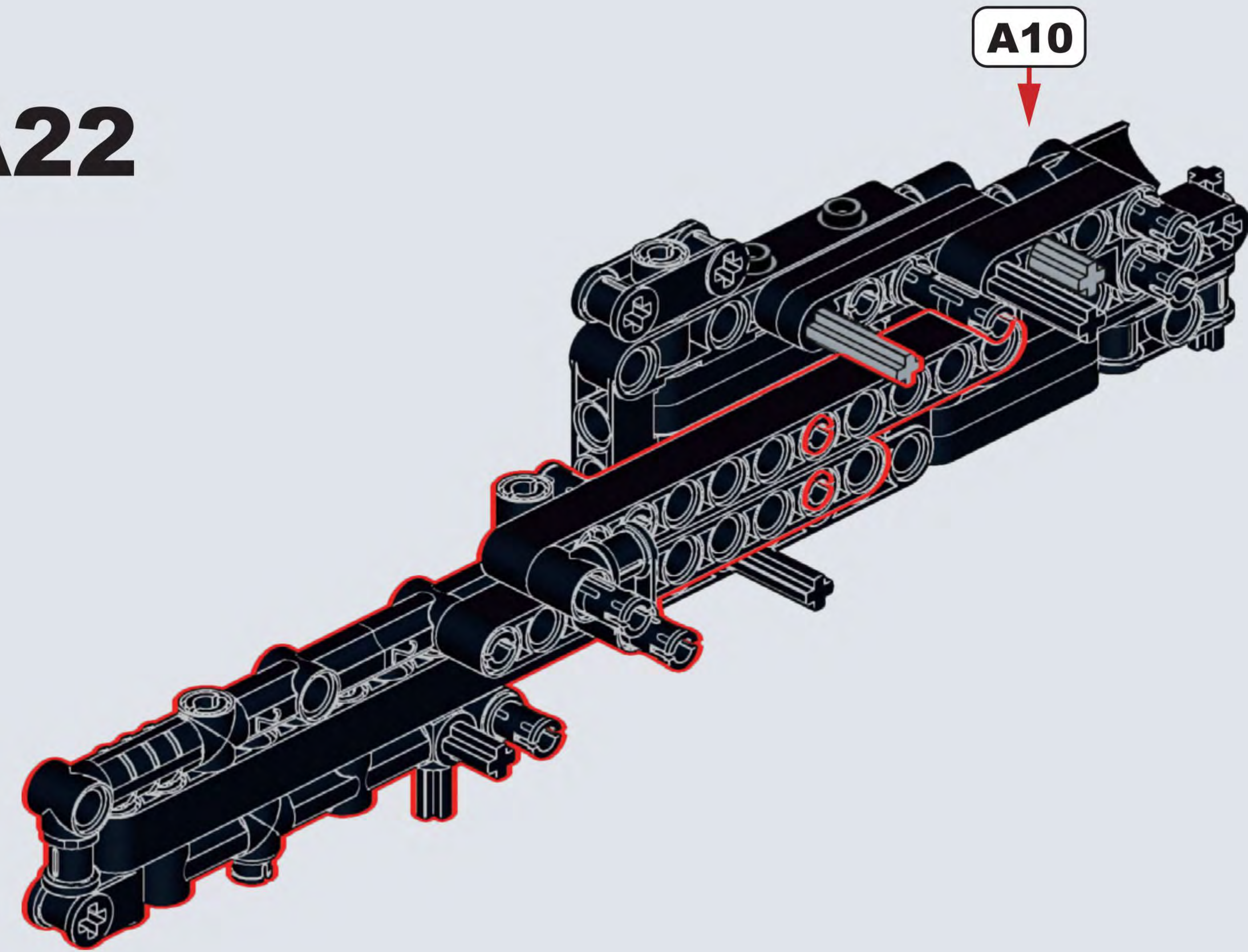
A20



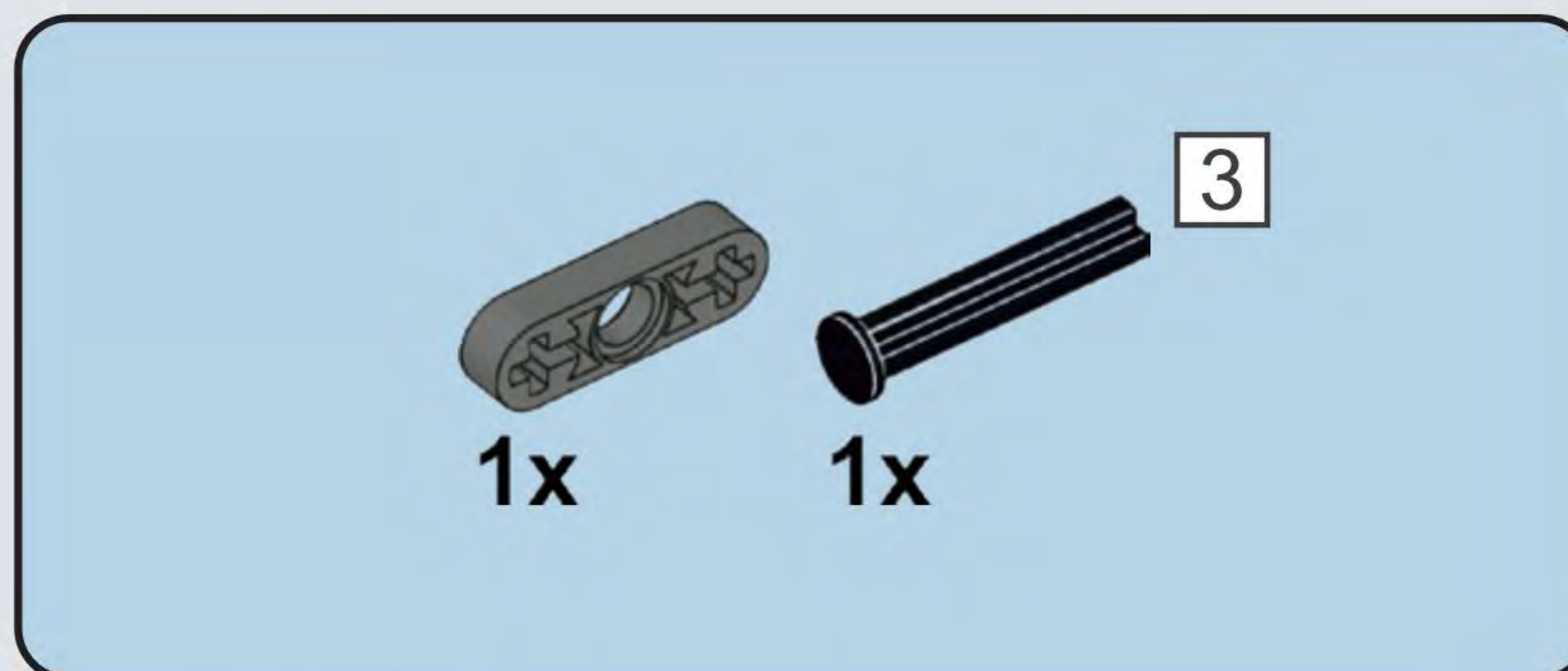
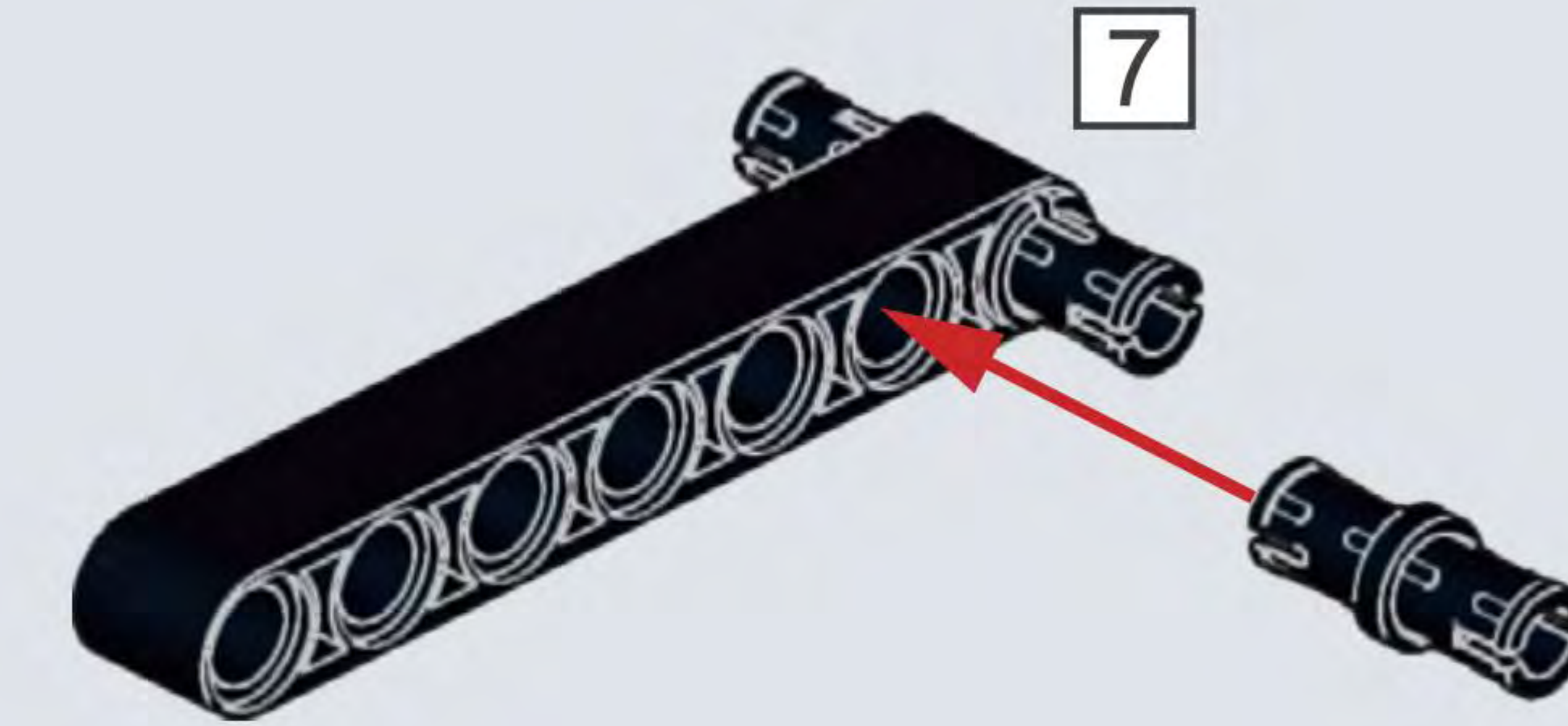
A21



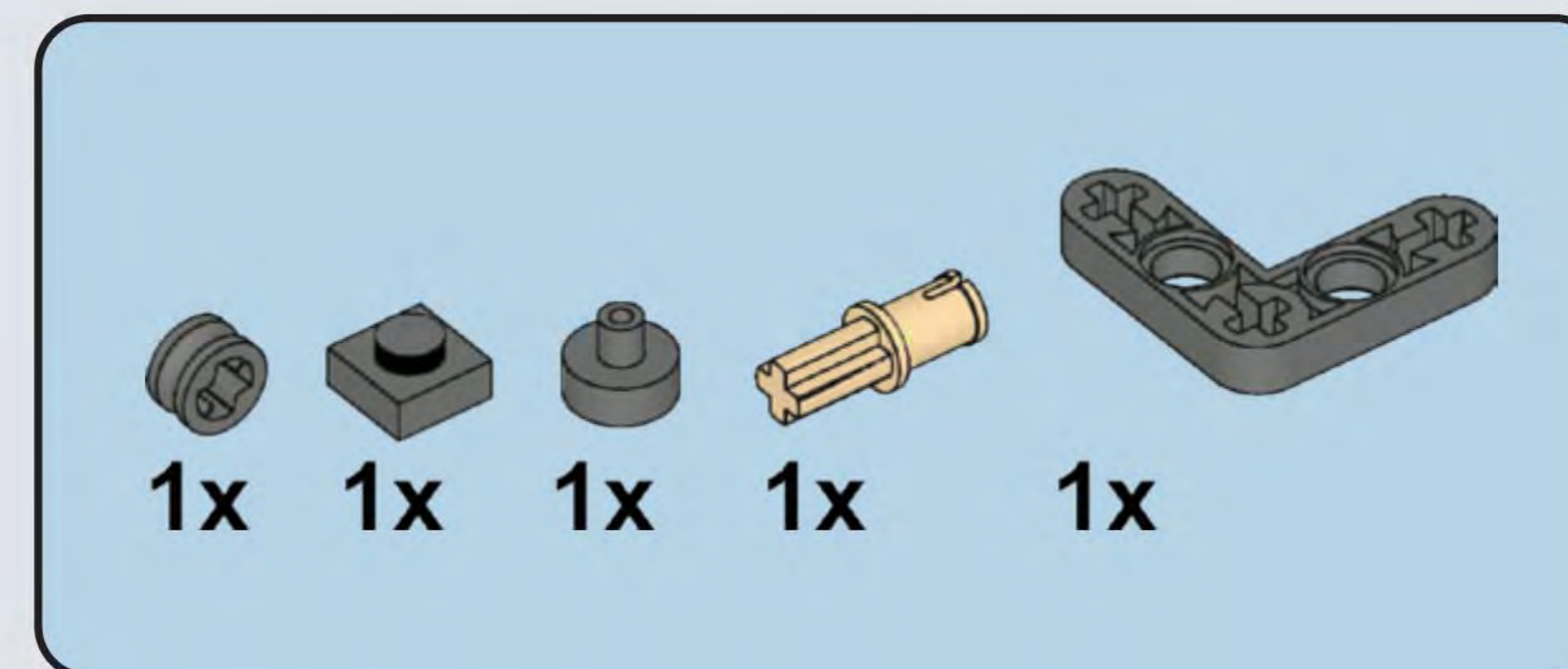
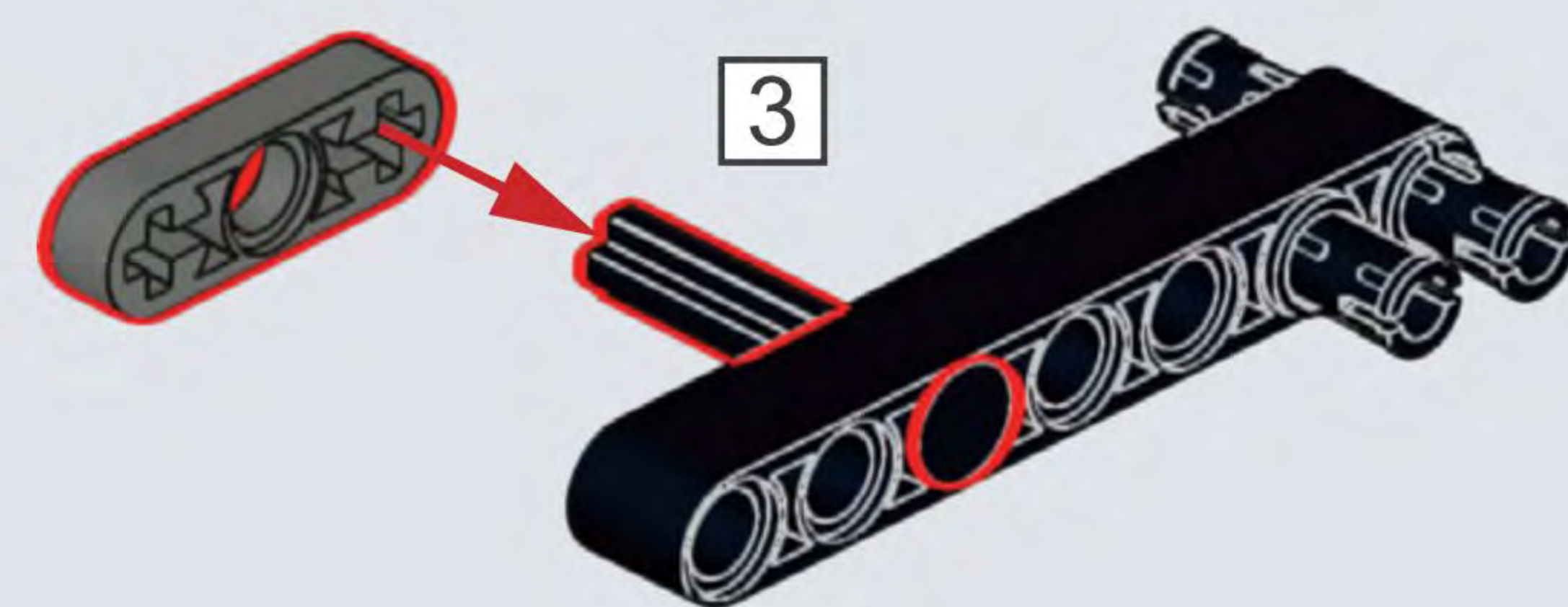
A22



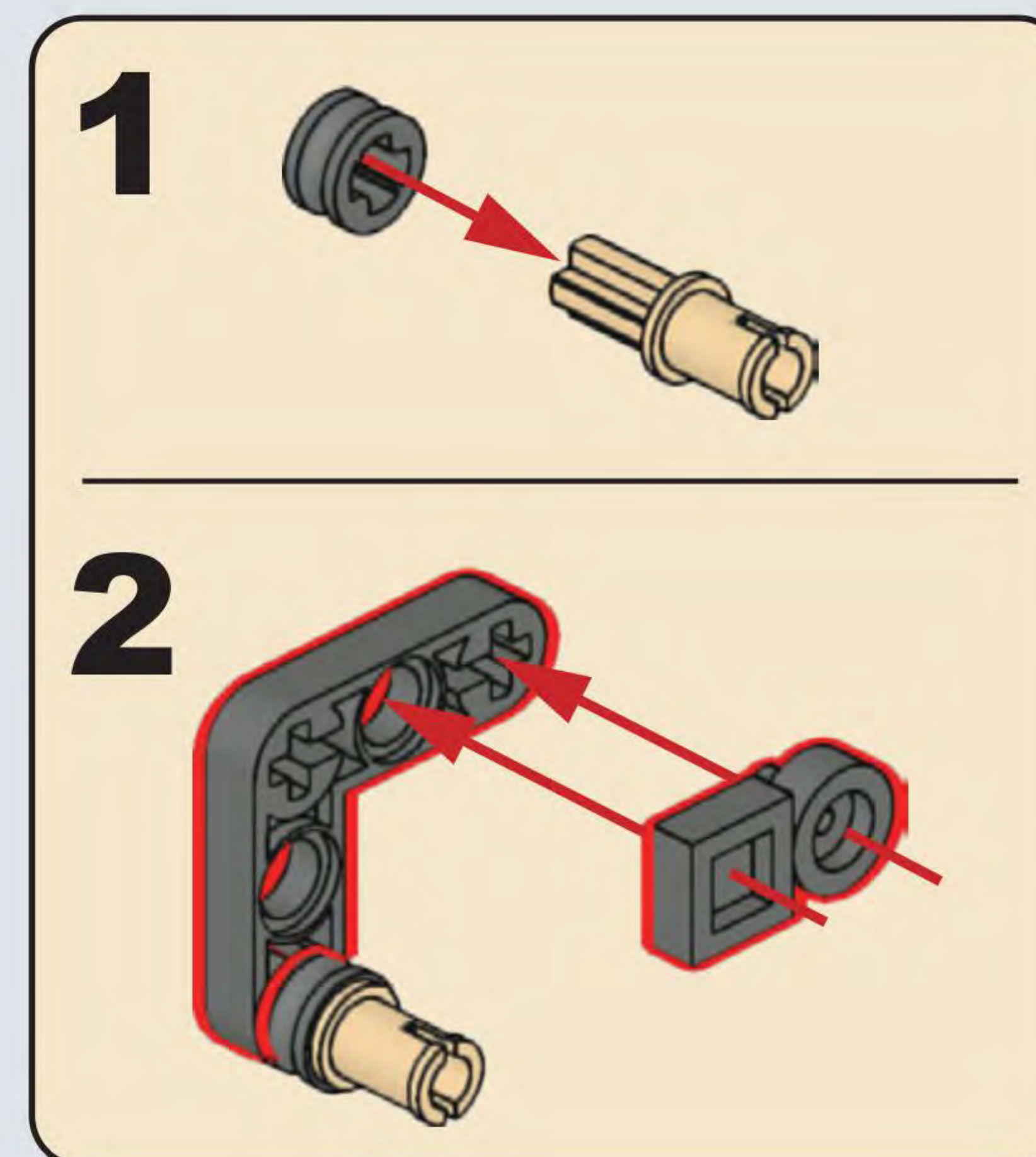
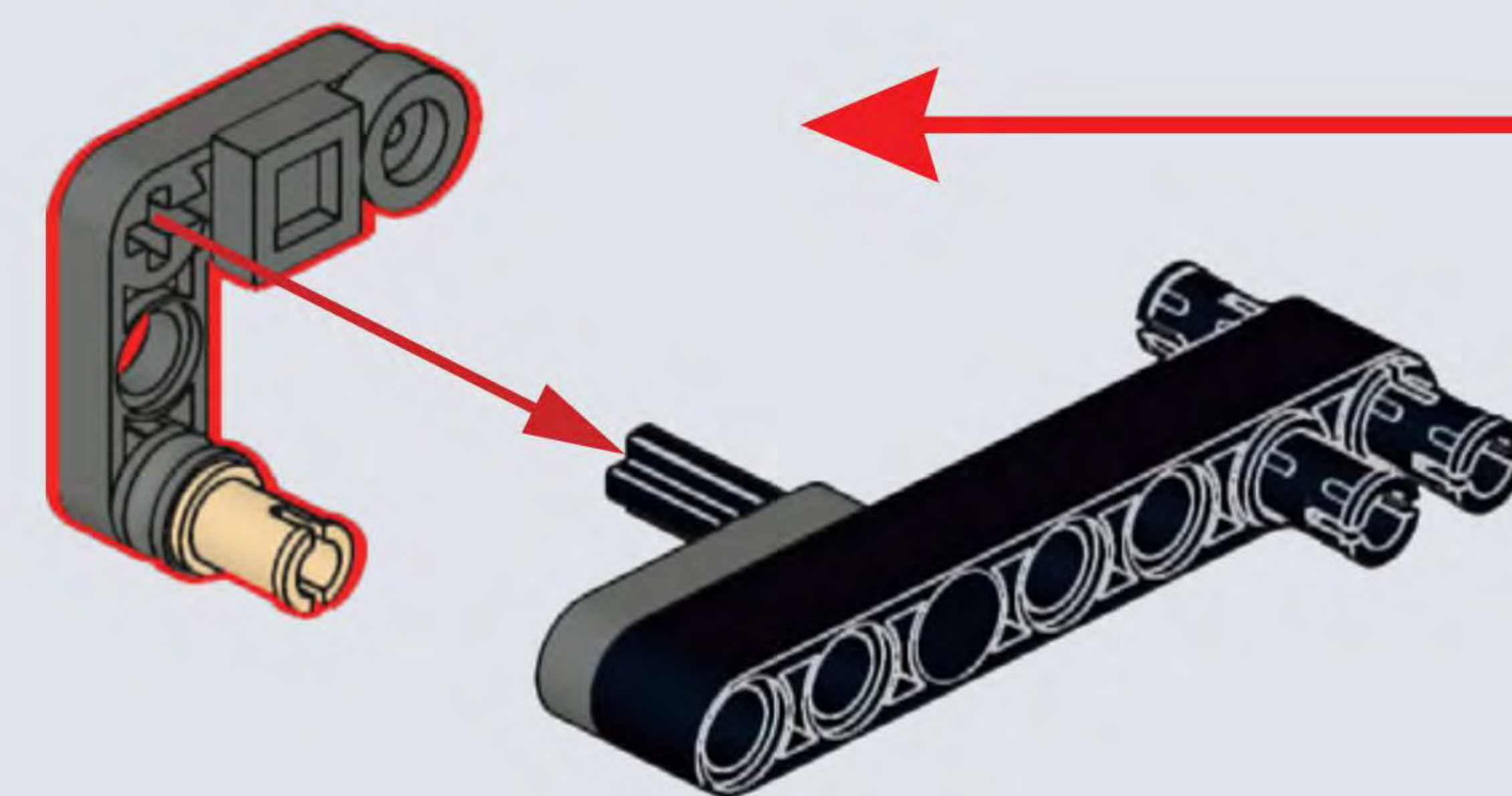
A23



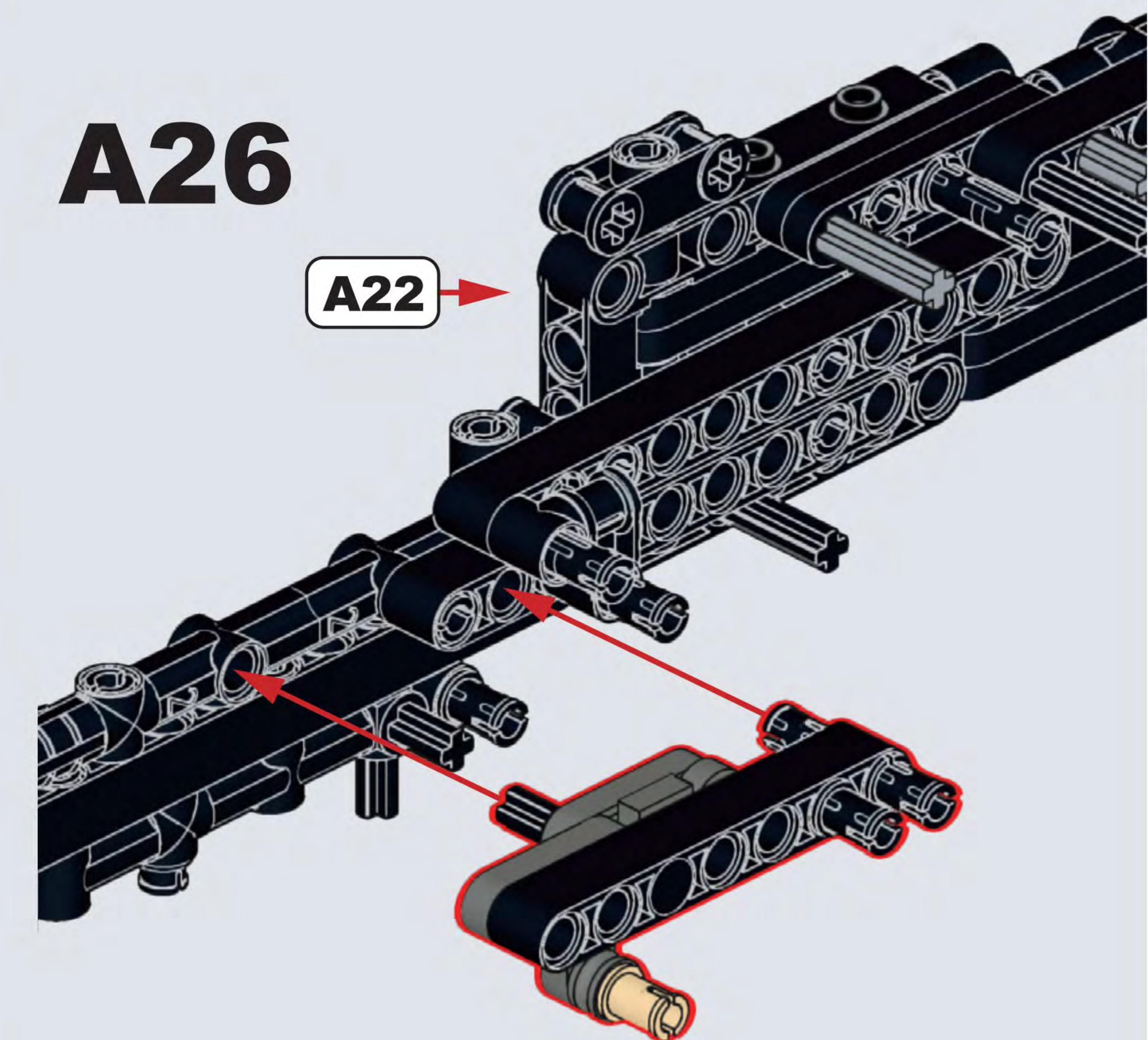
A24

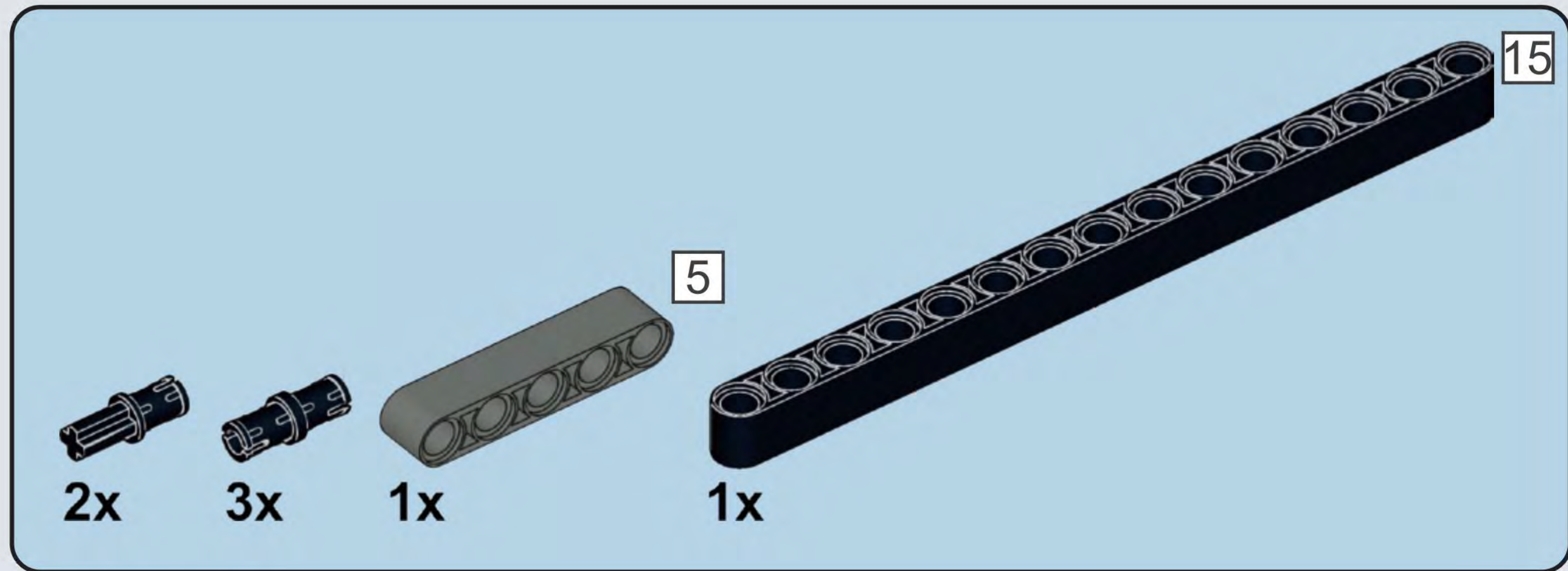


A25

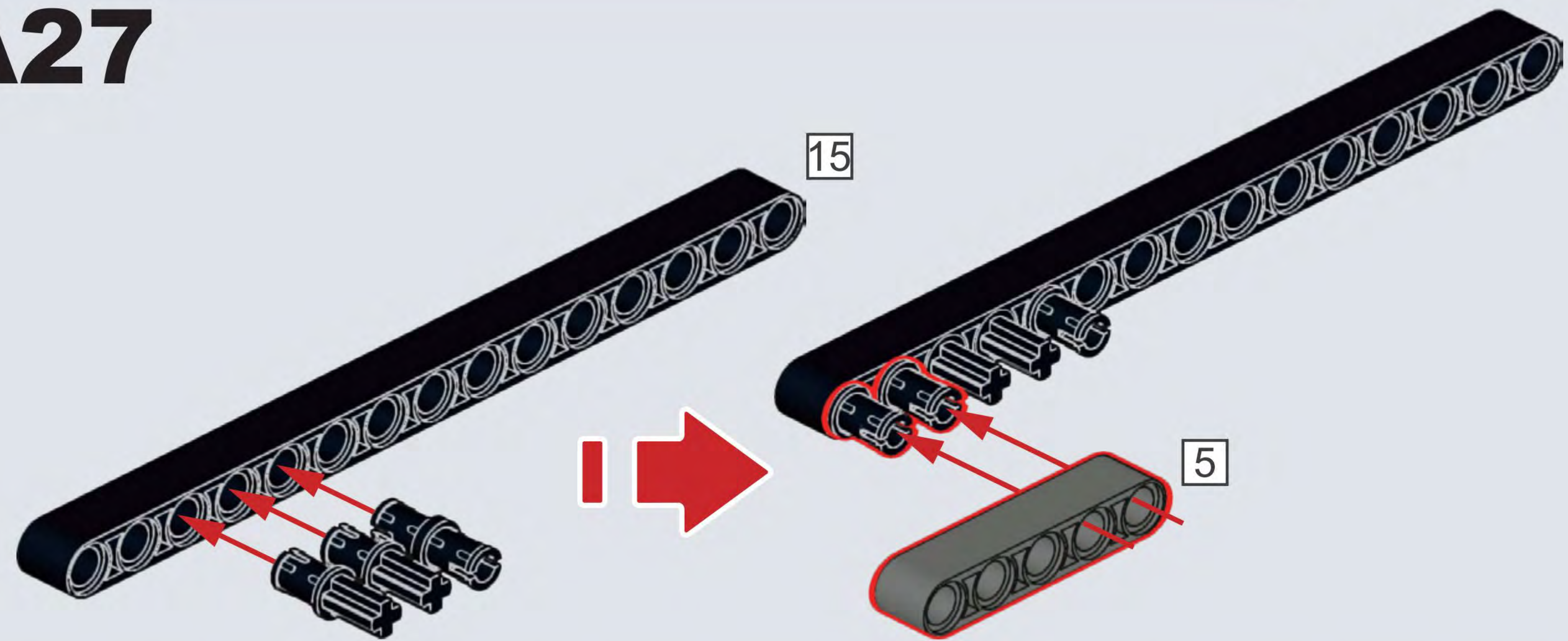


A26

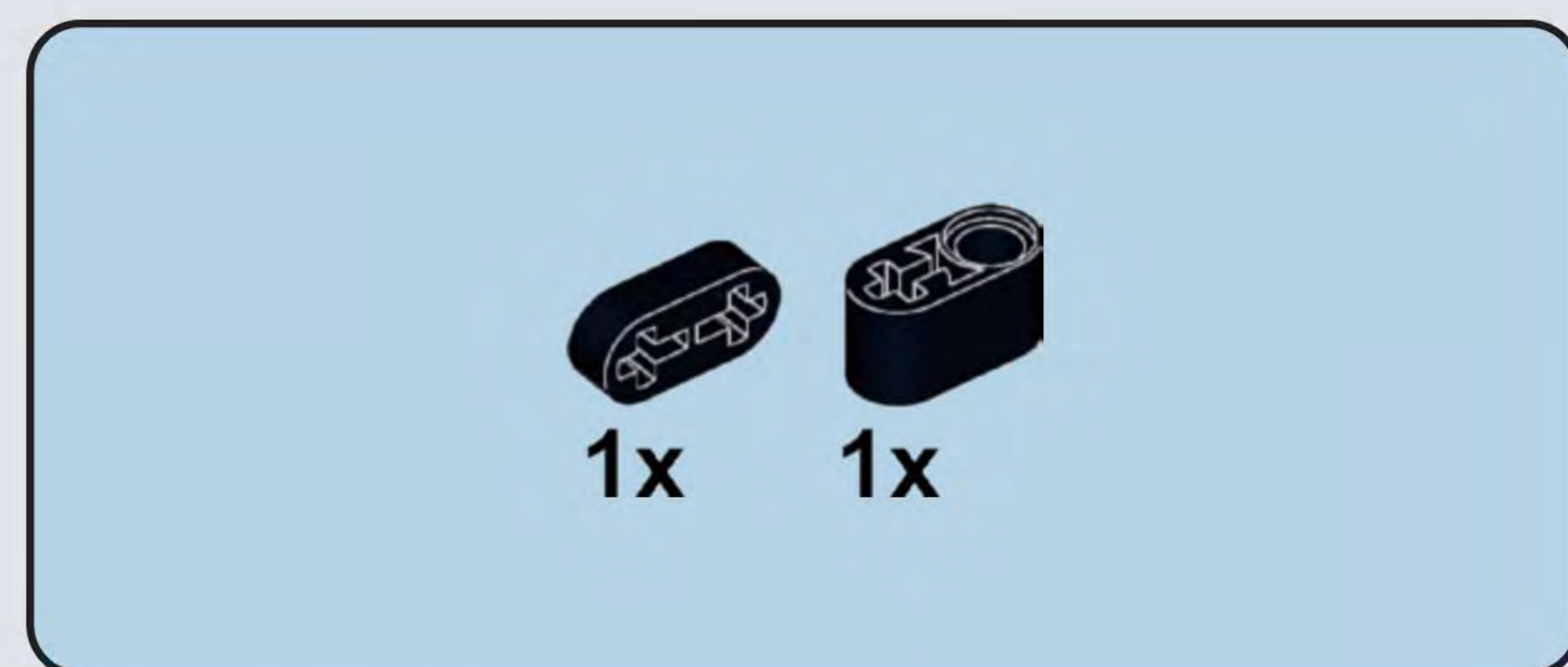
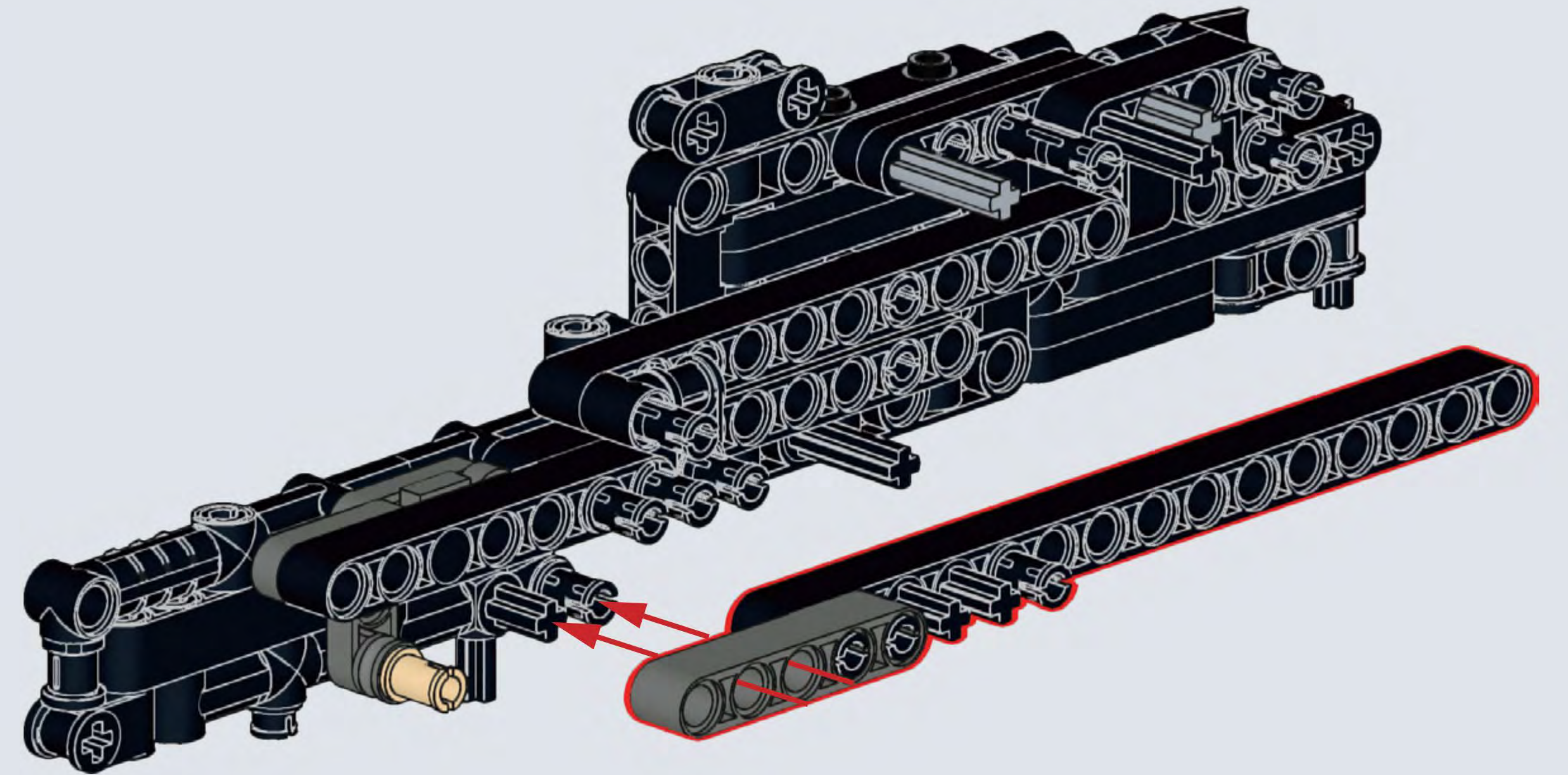




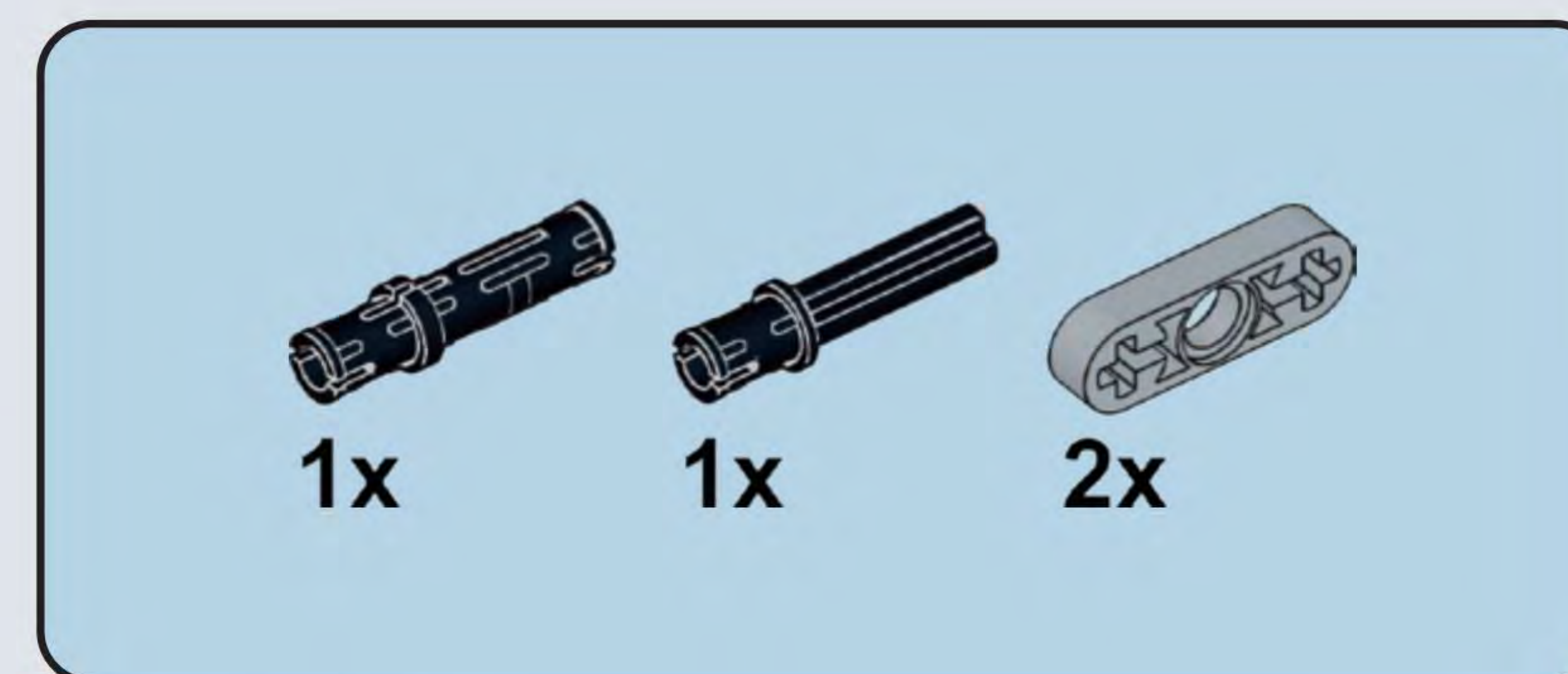
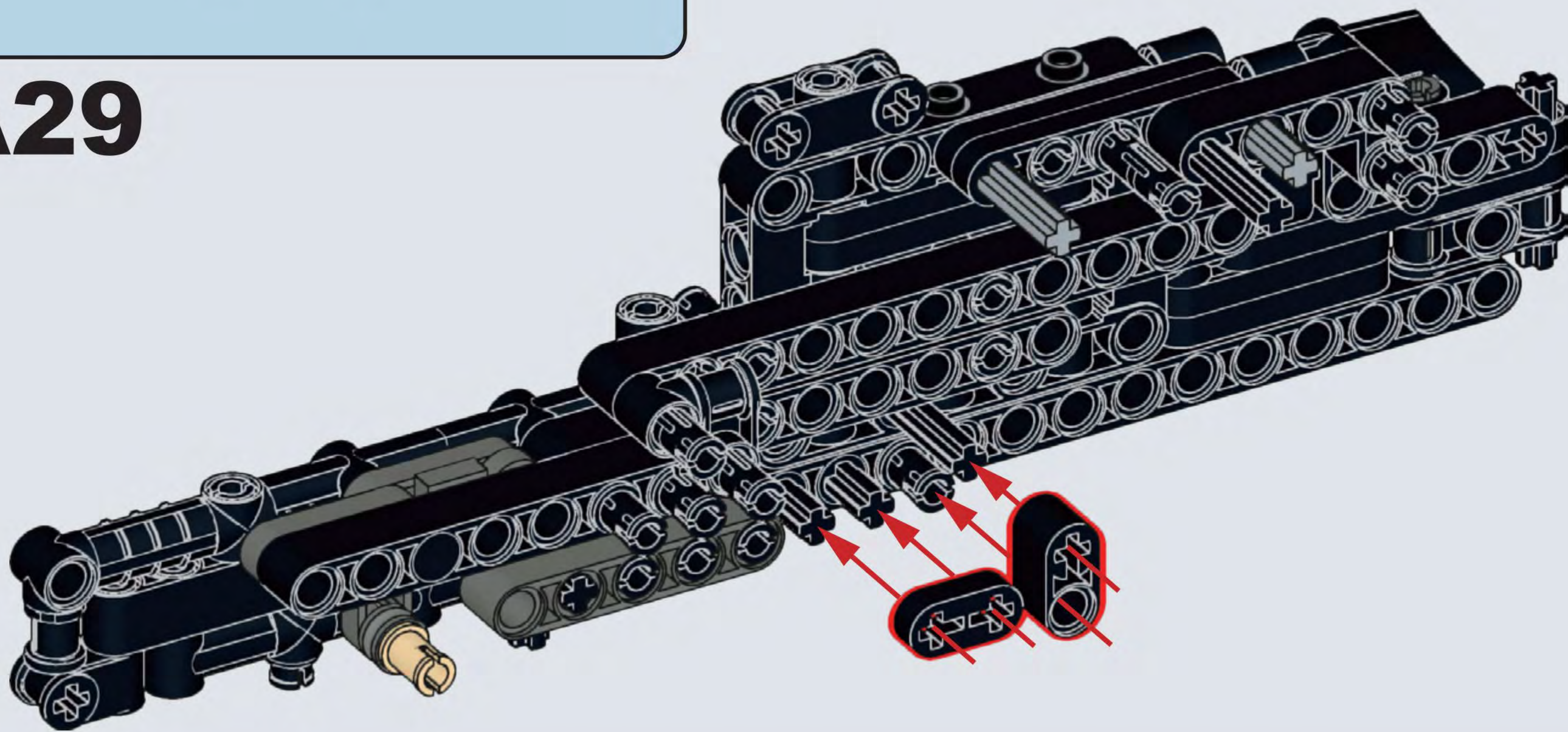
A27



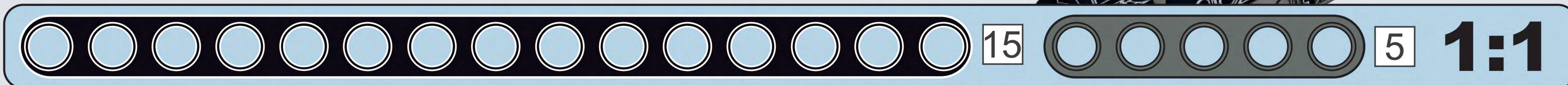
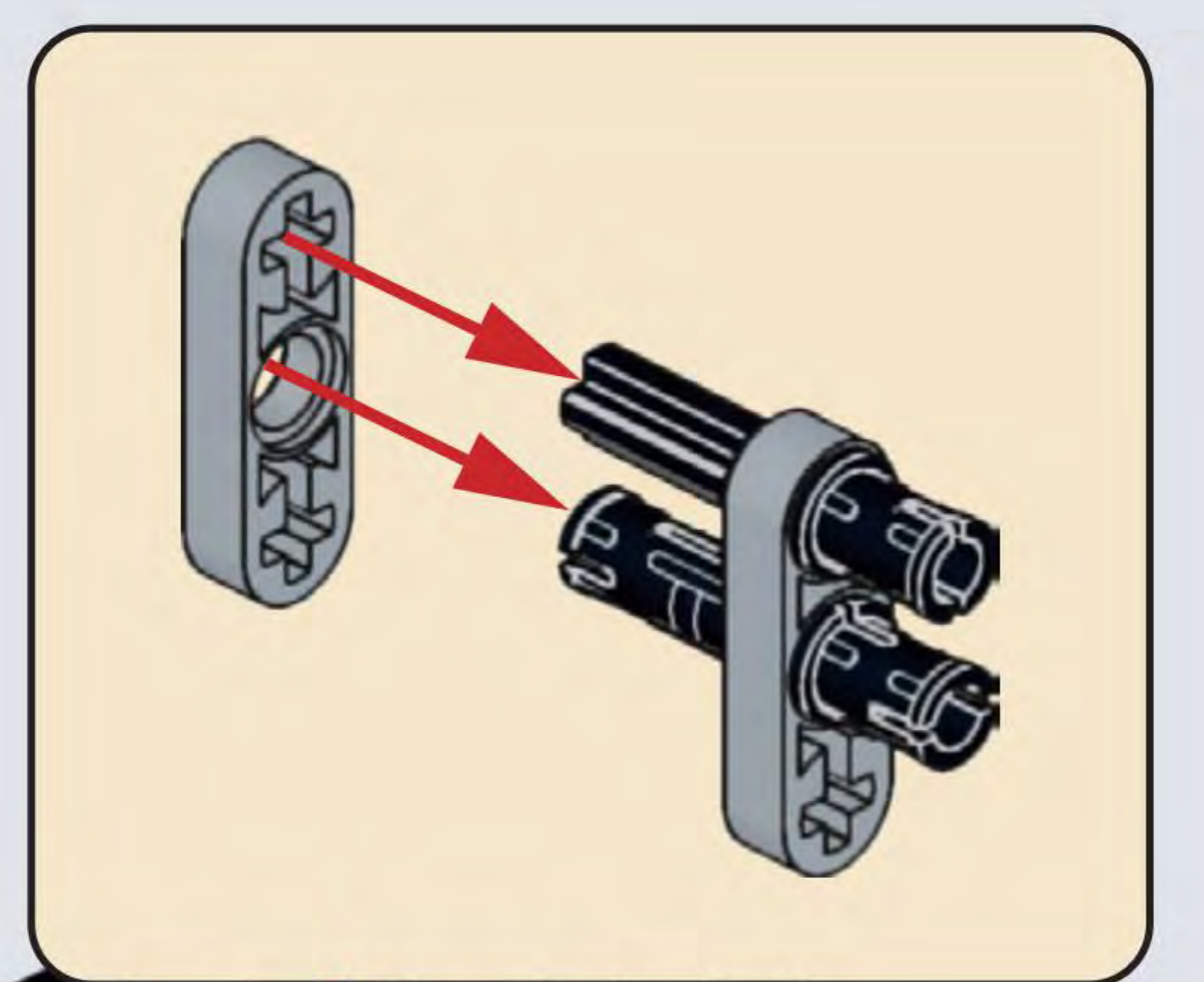
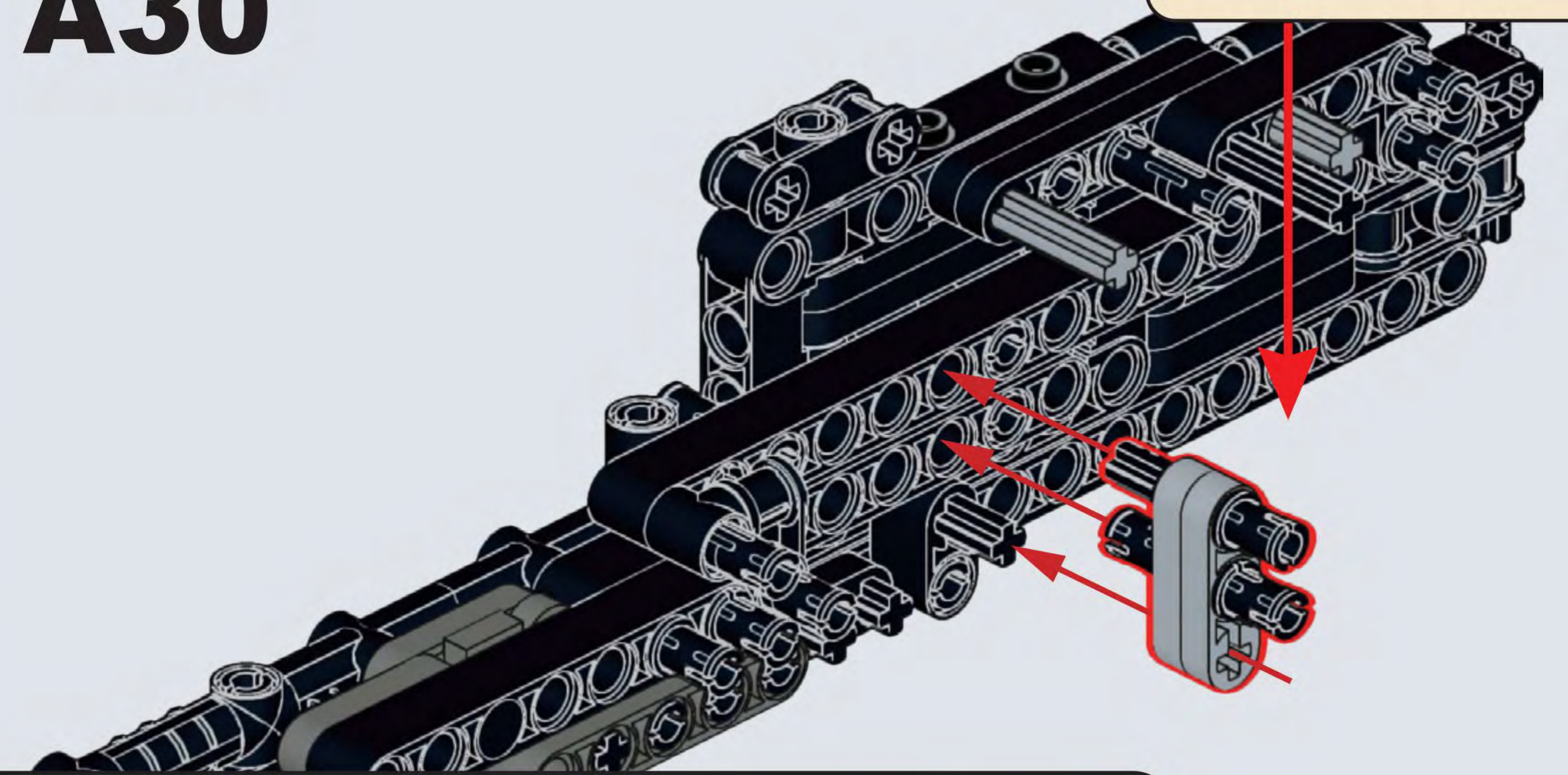
A28

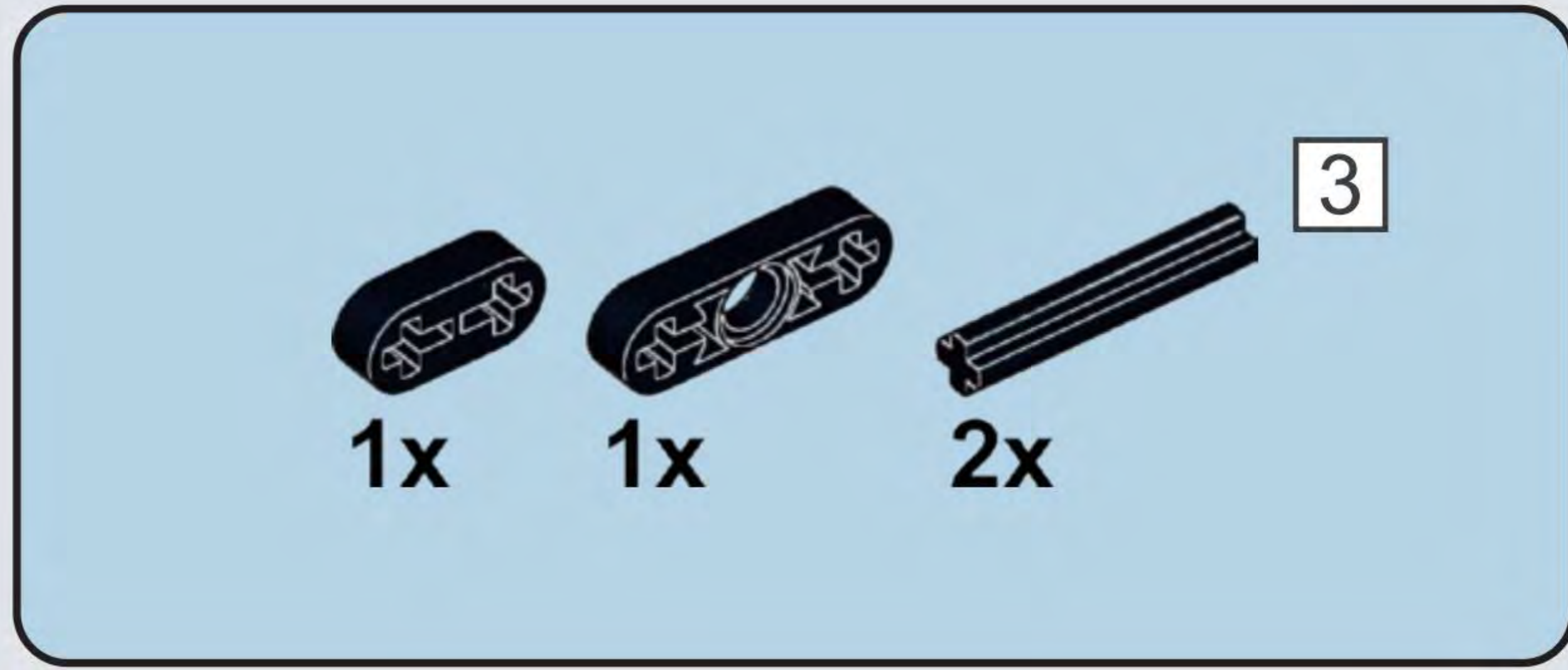


A29

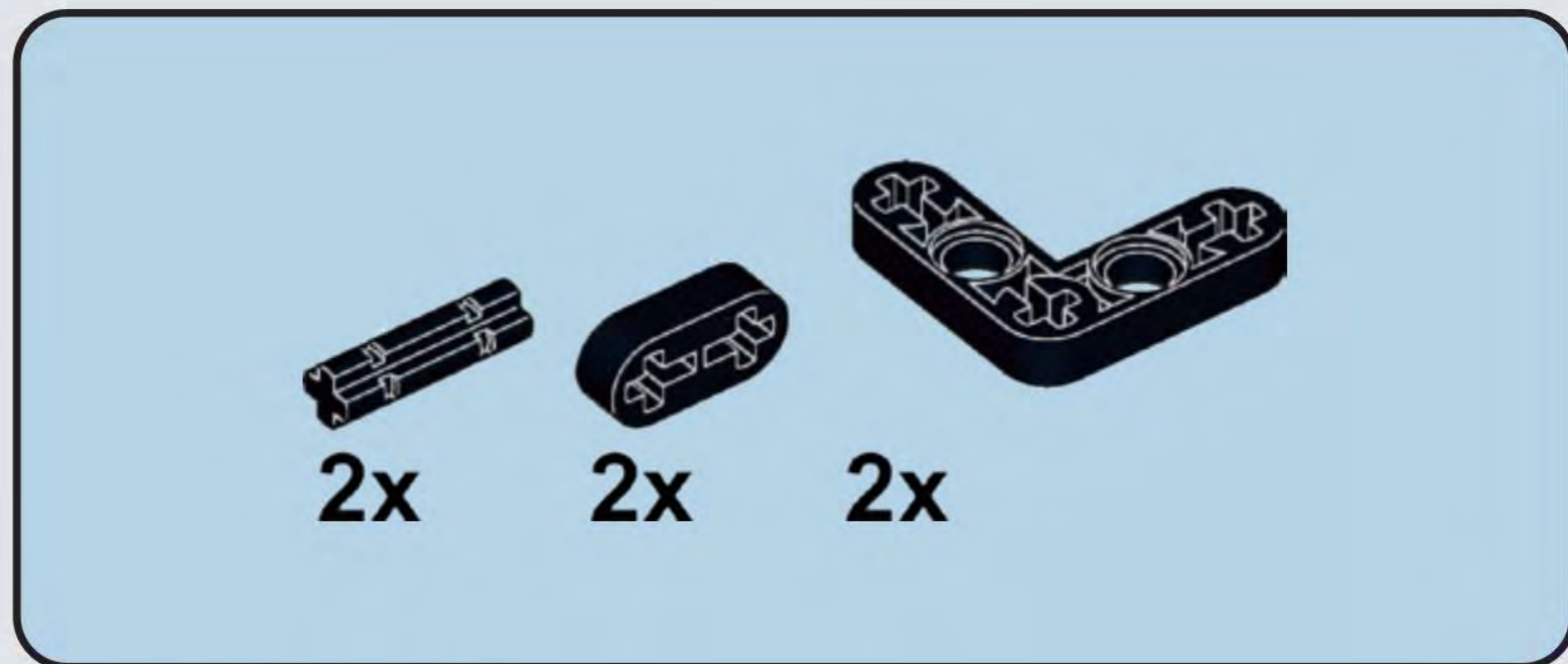
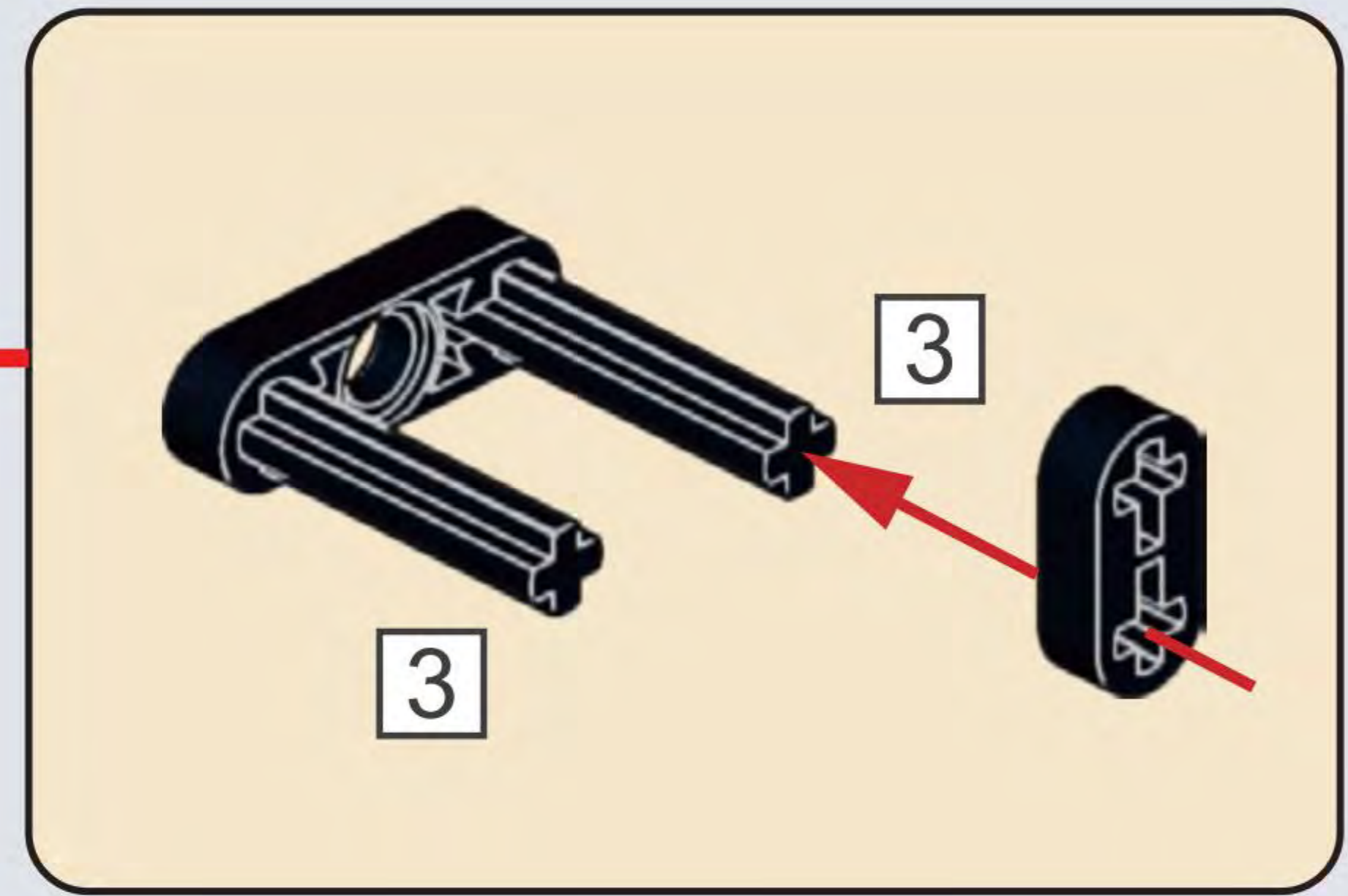
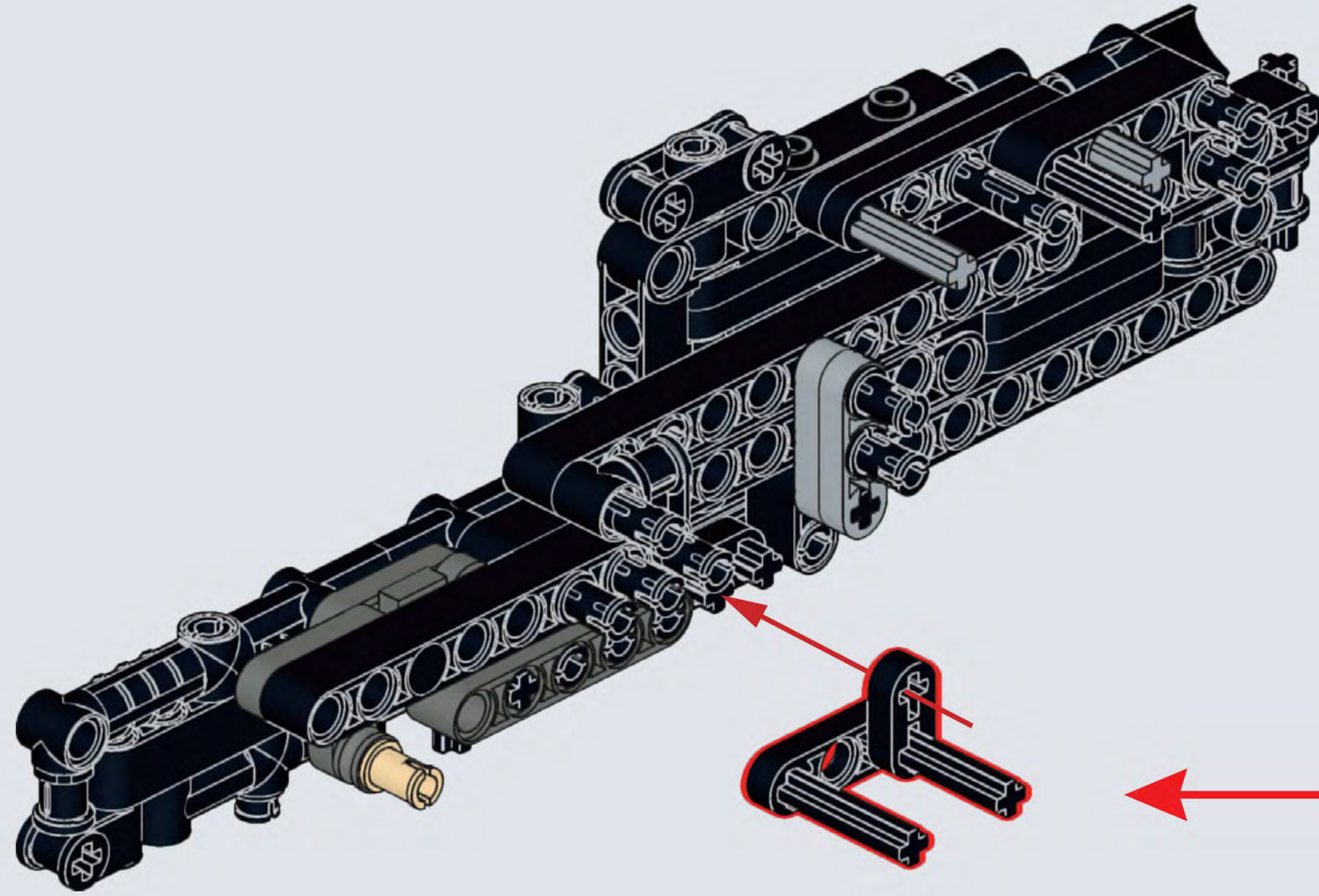


A30

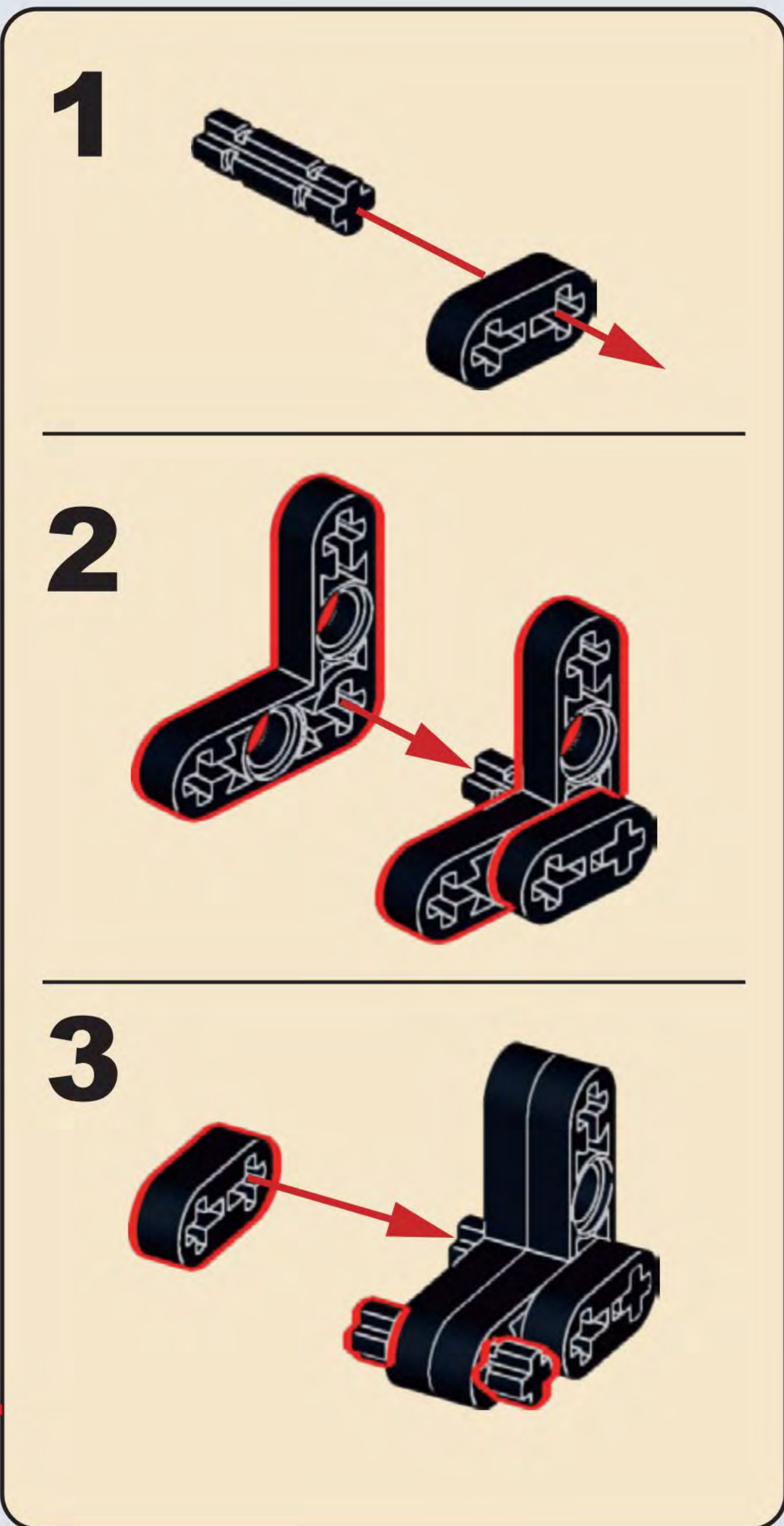
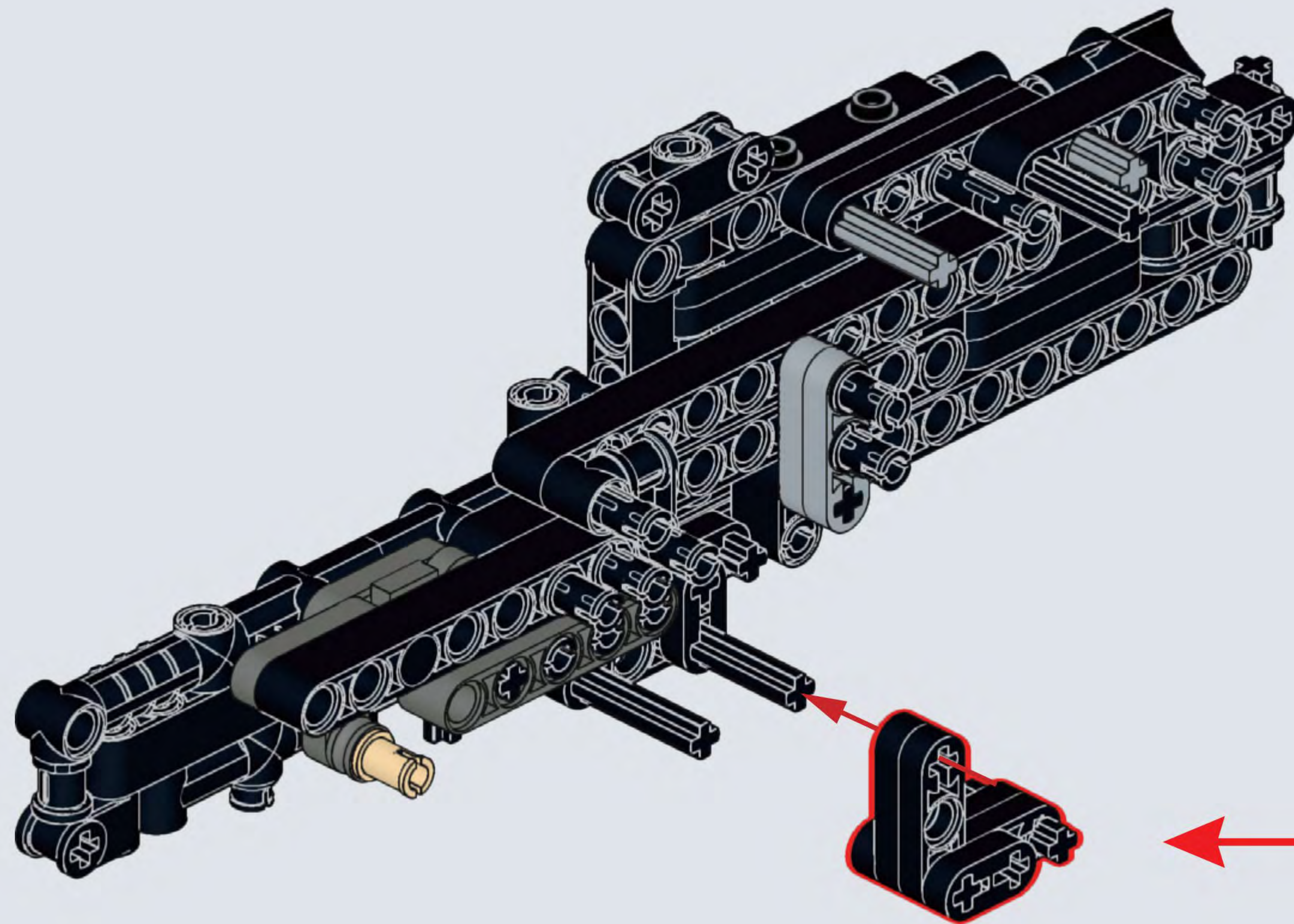


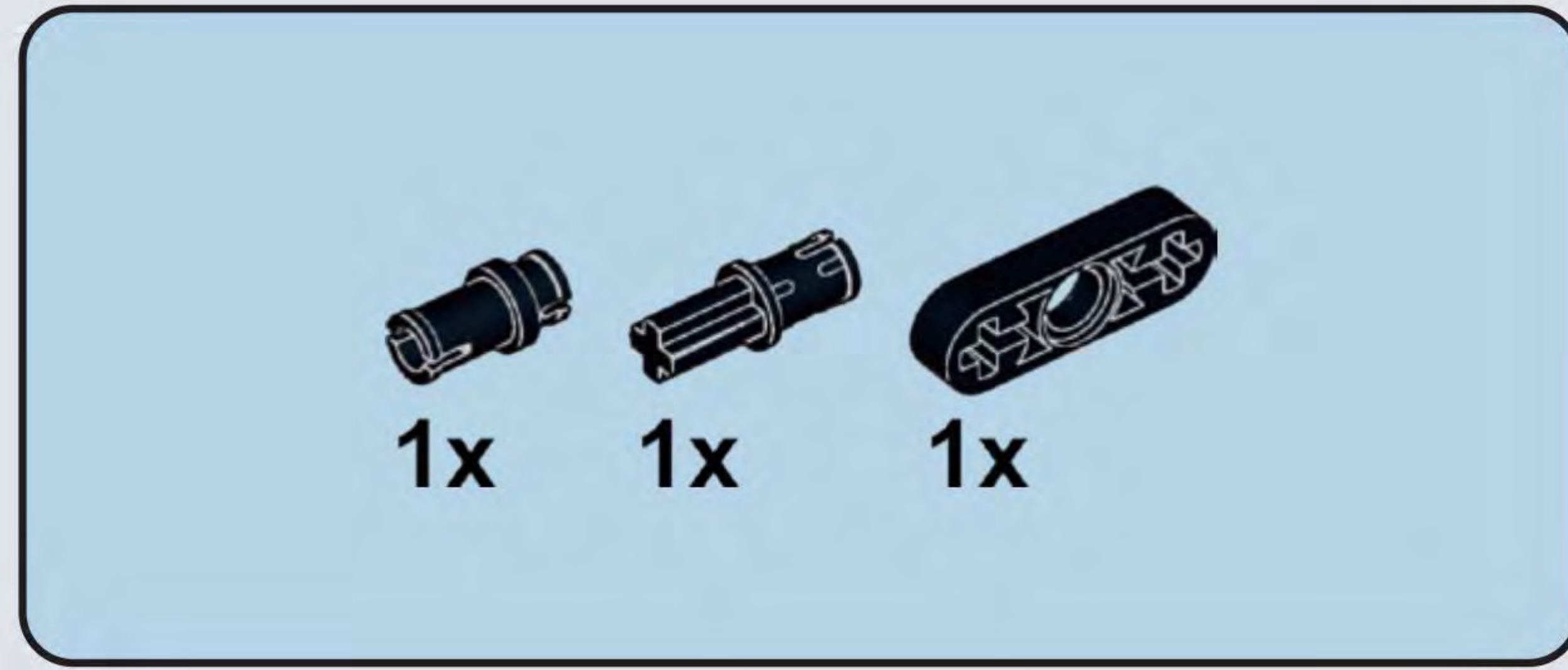


A31

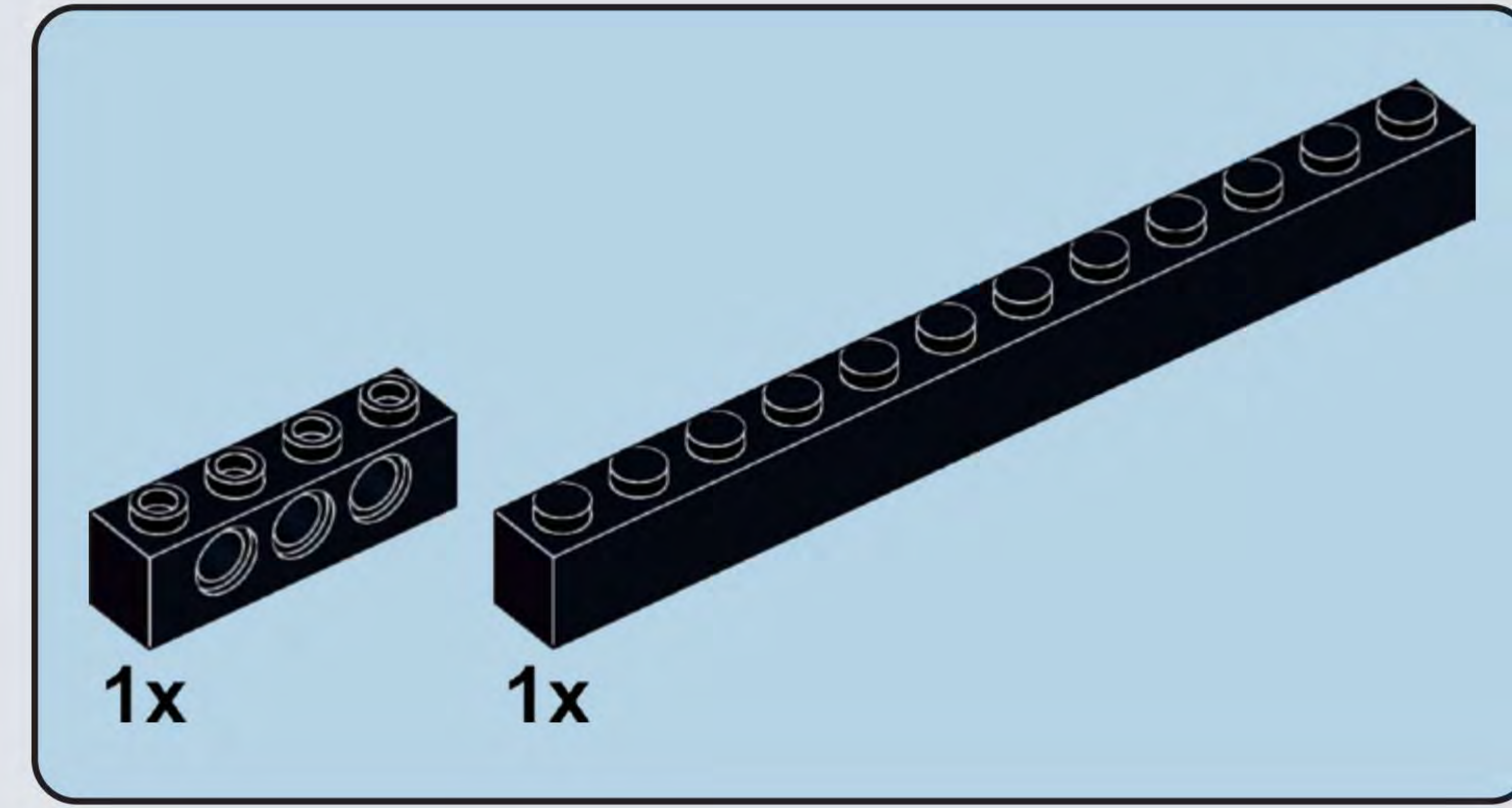
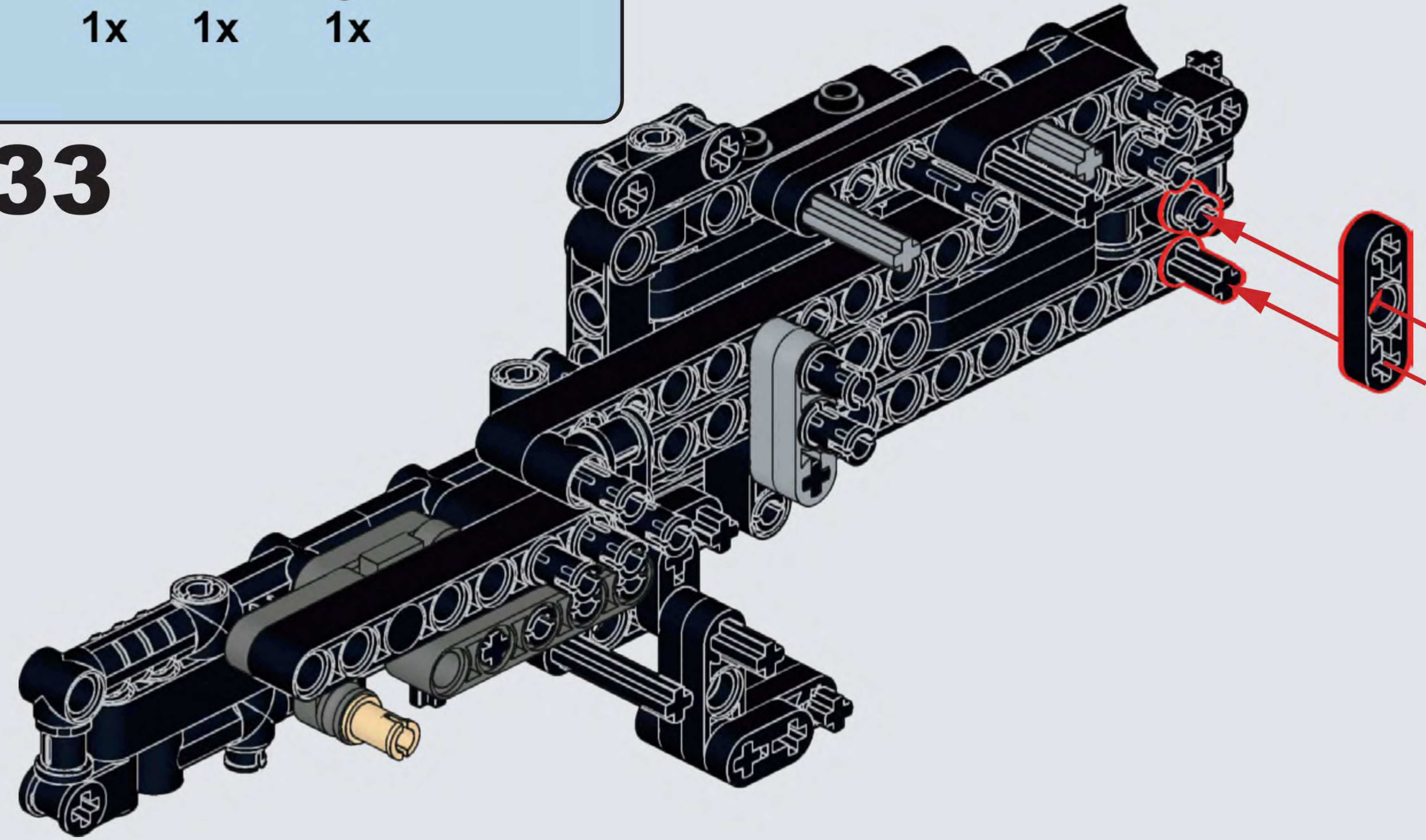


A32

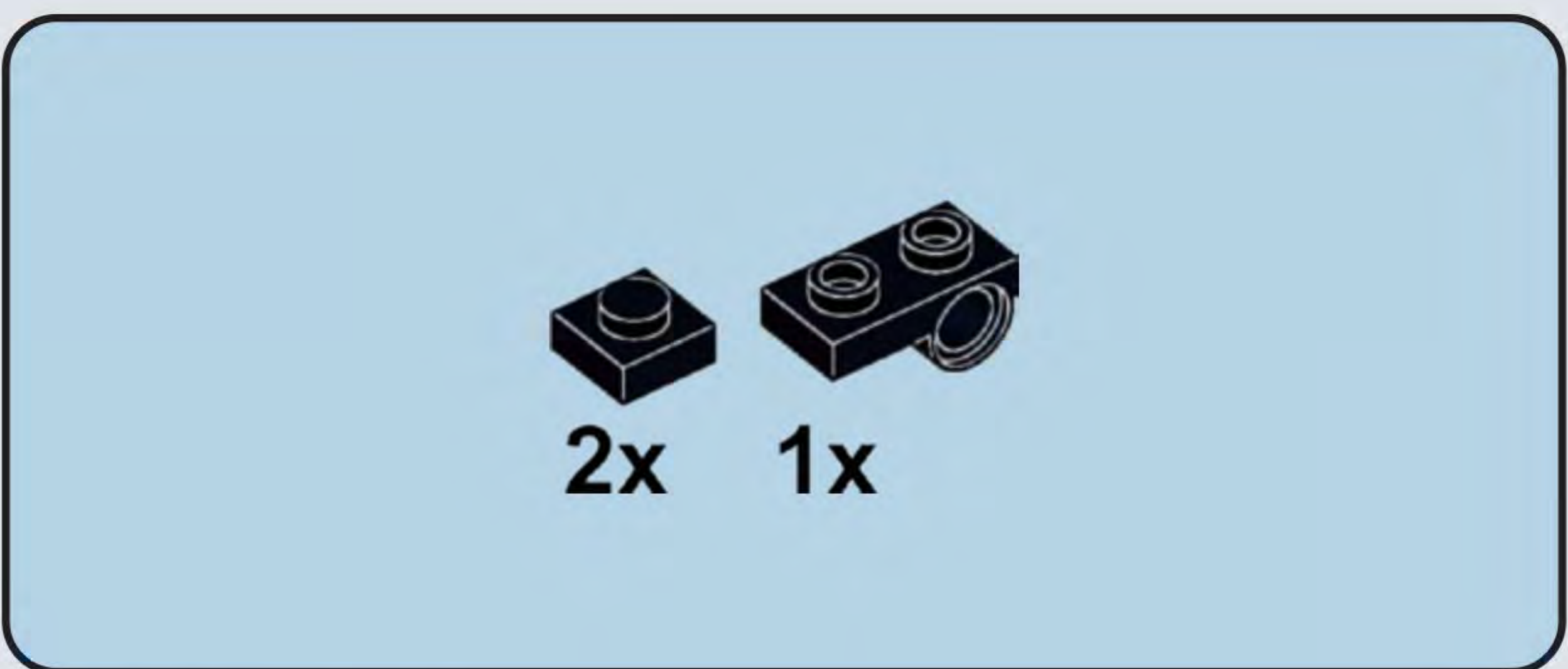
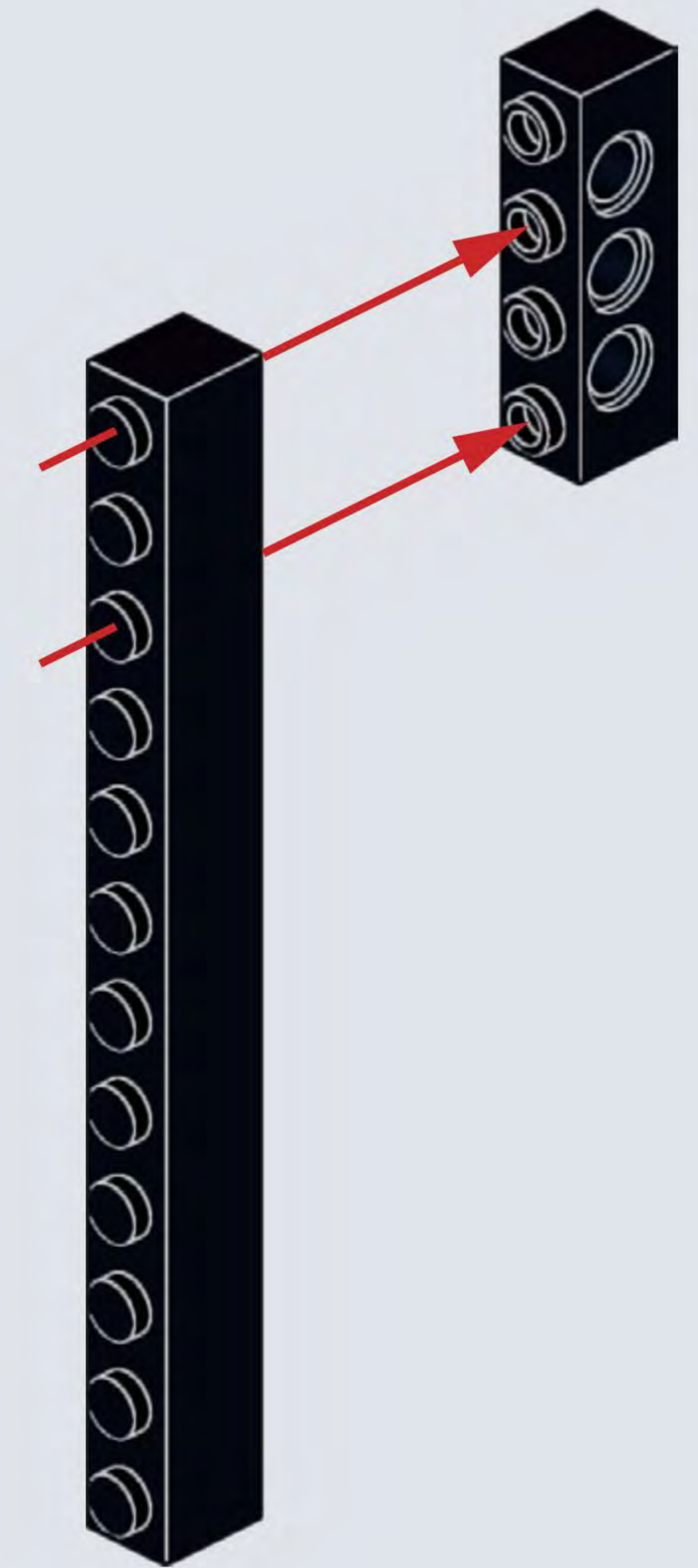




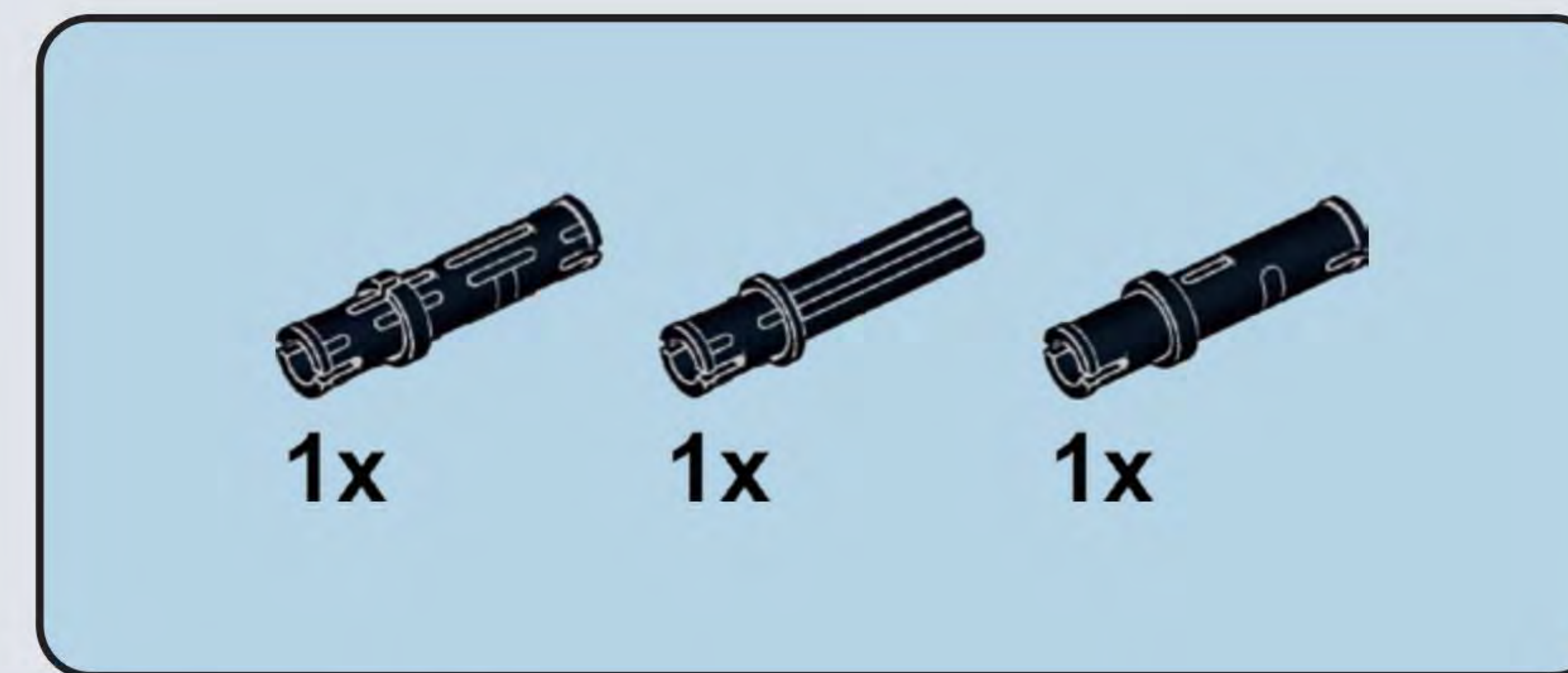
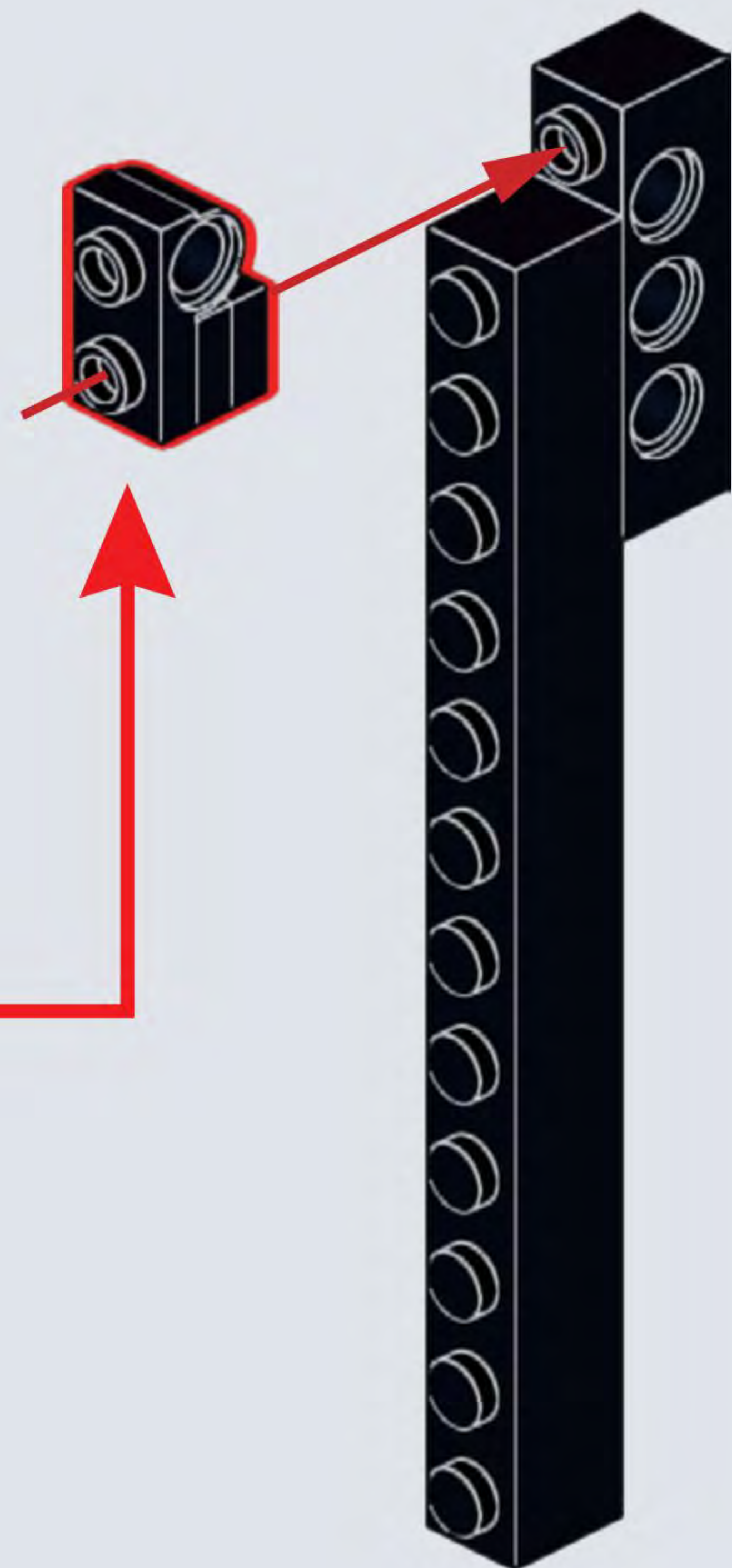
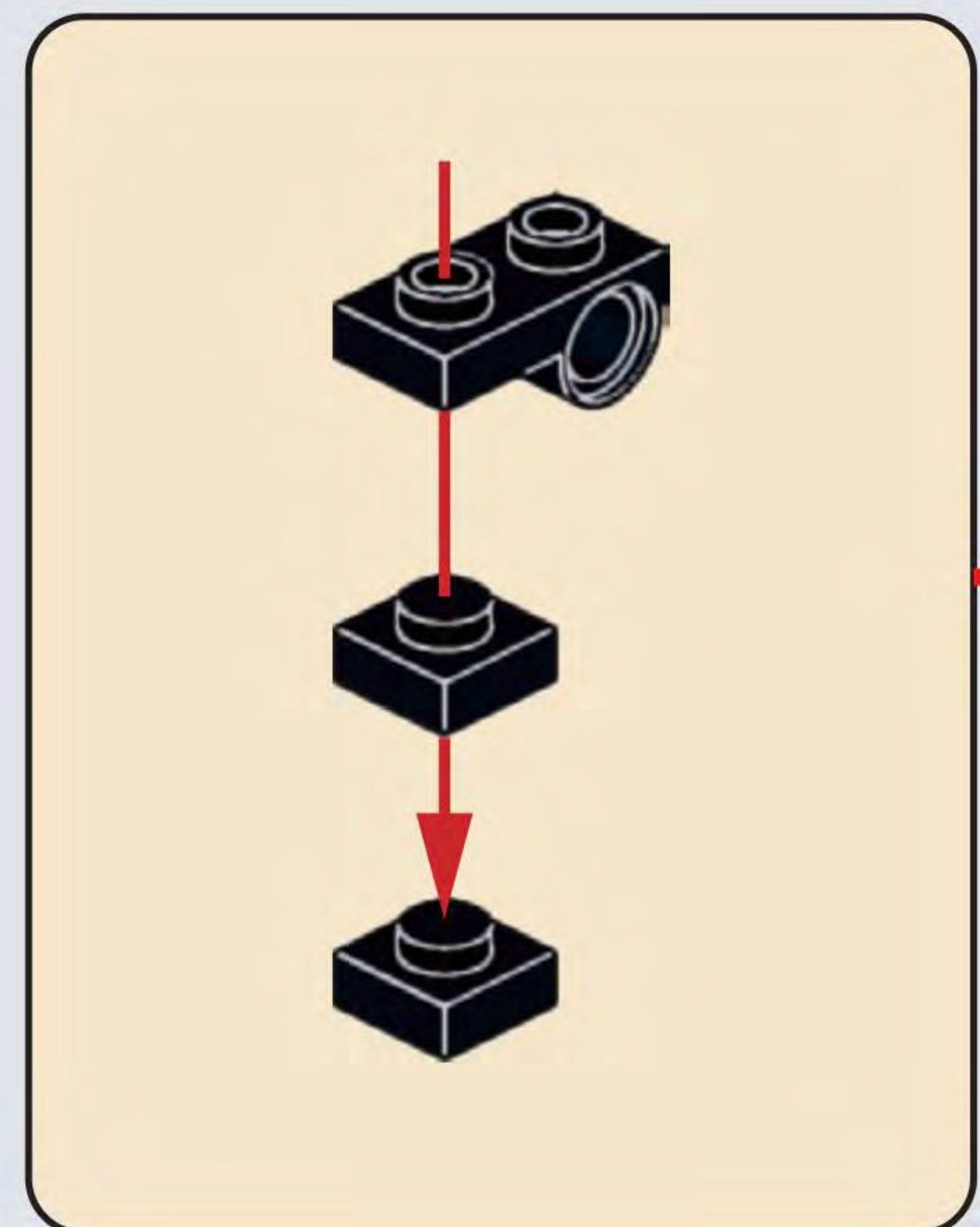
A33



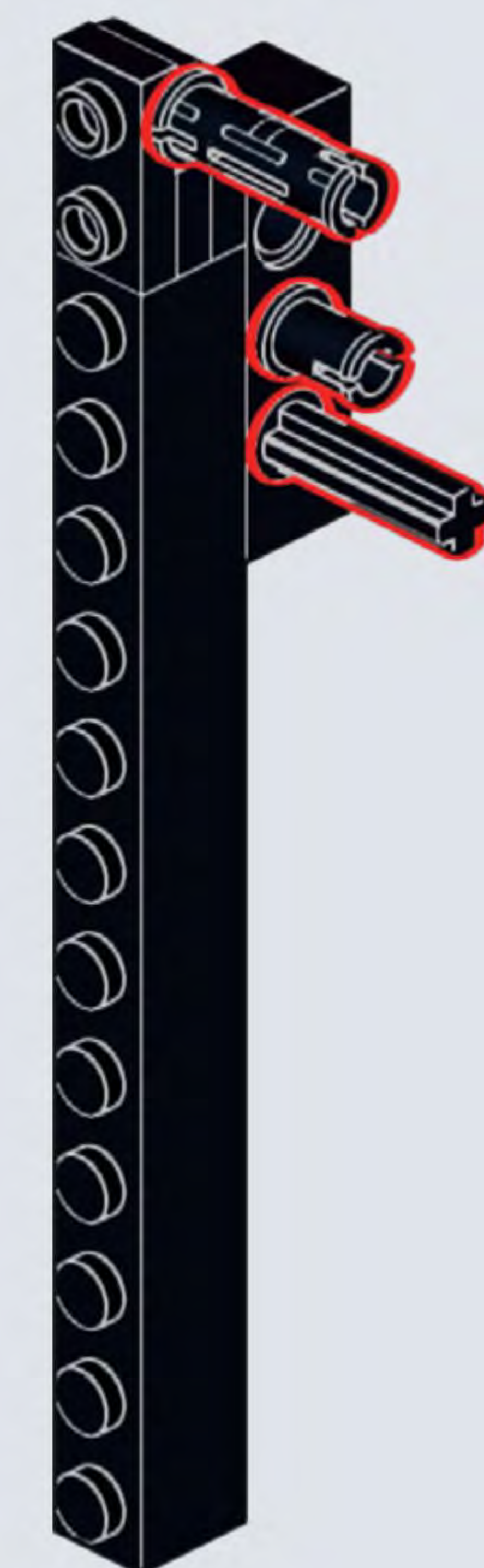
A34

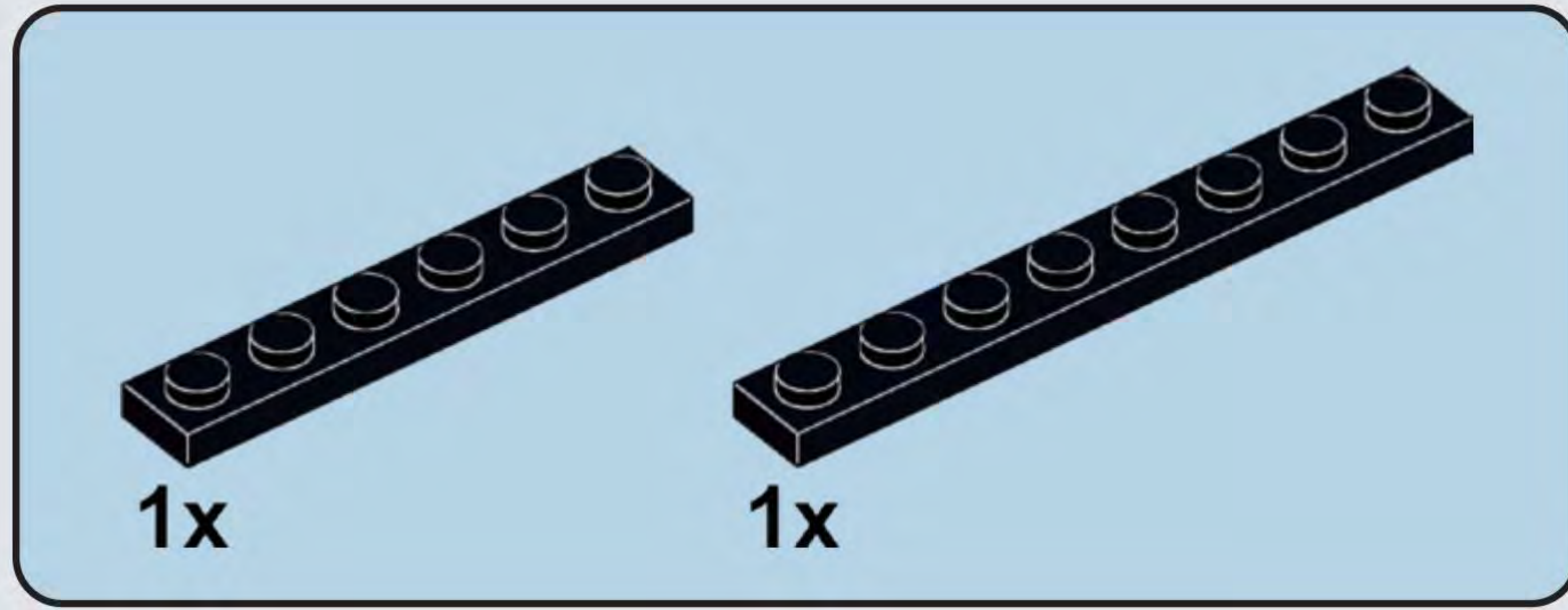


A35

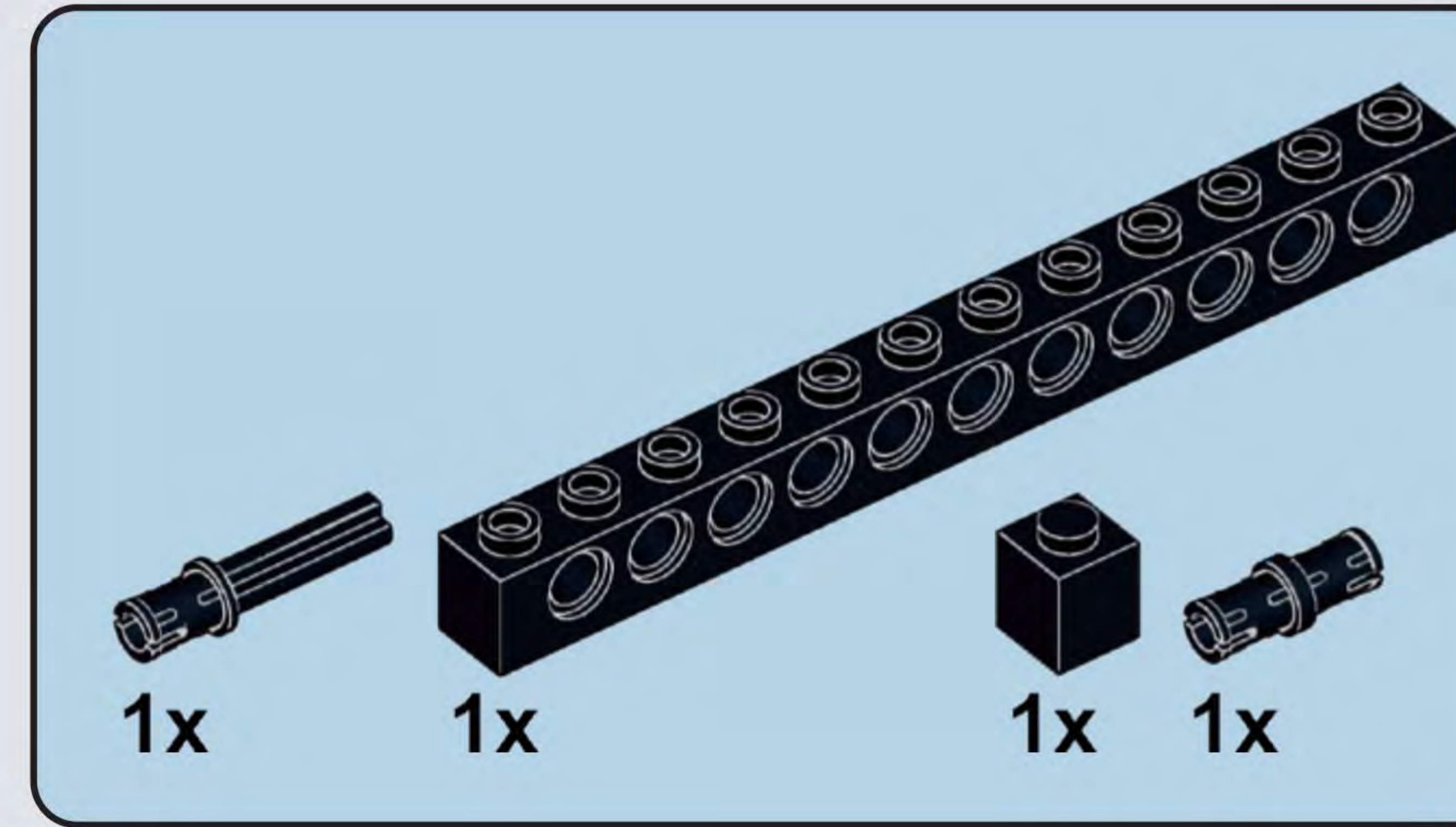
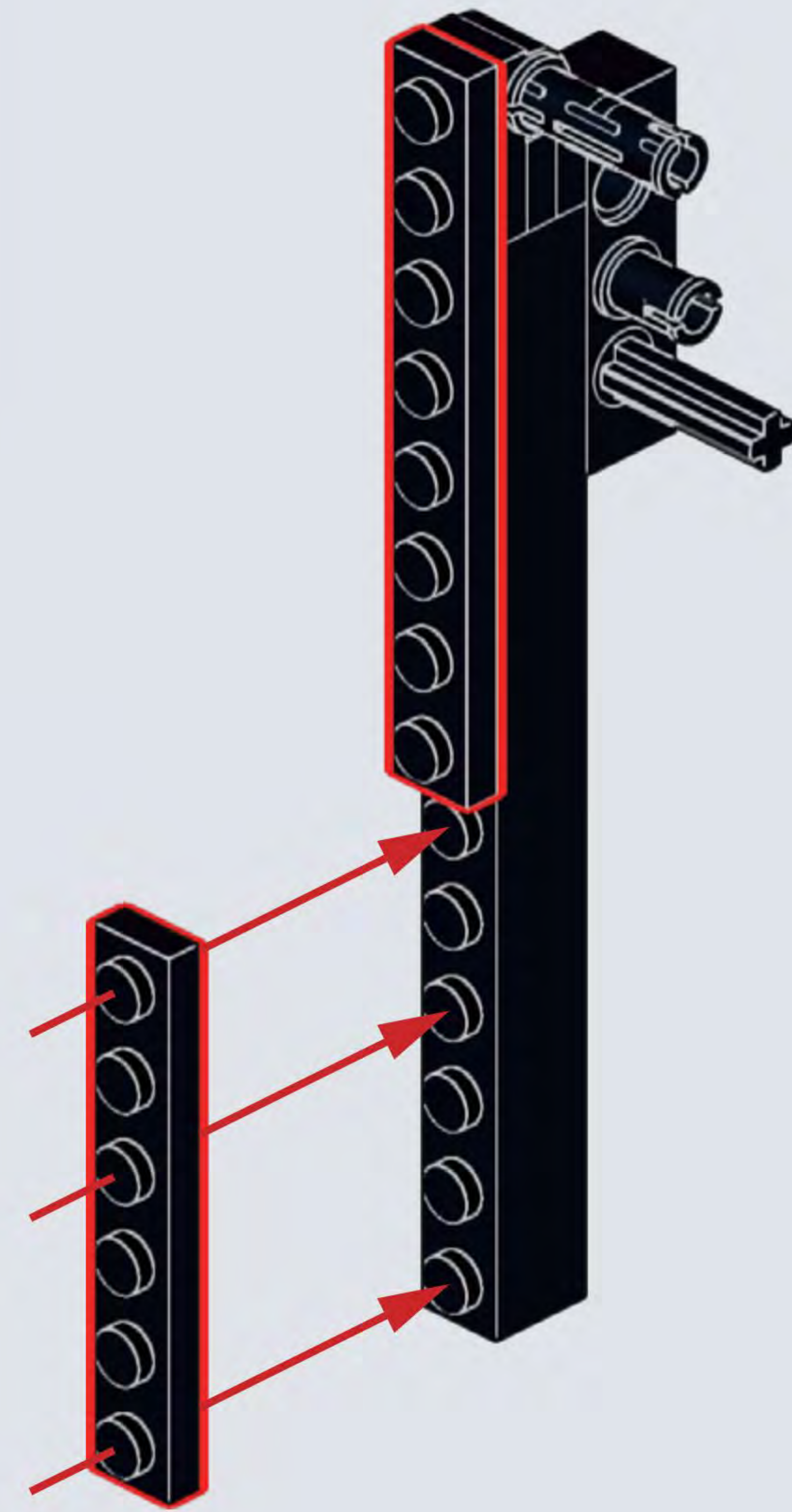


A36

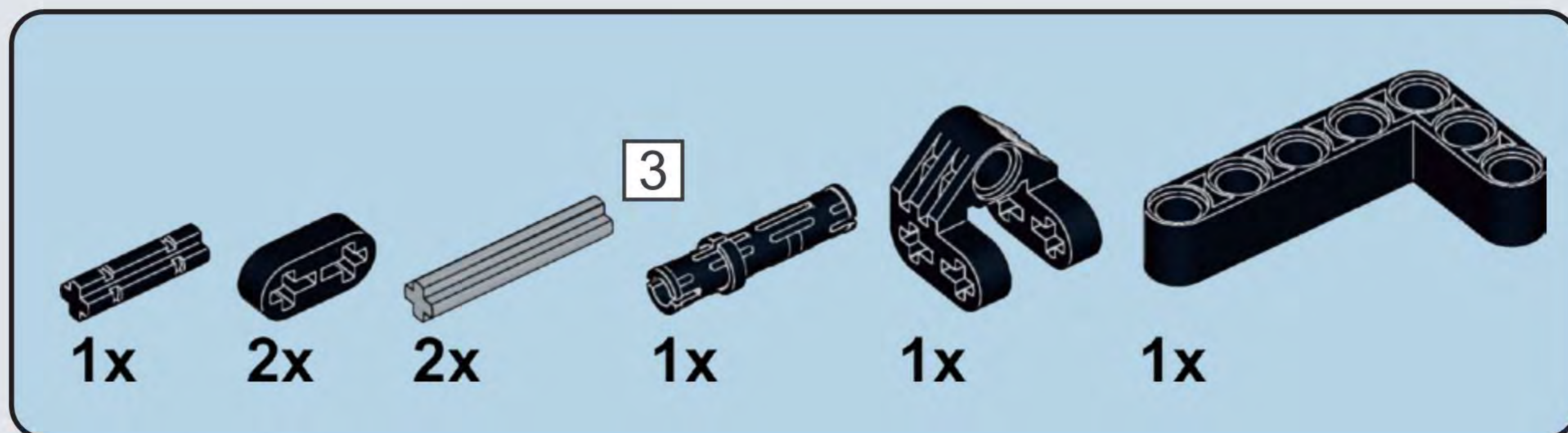
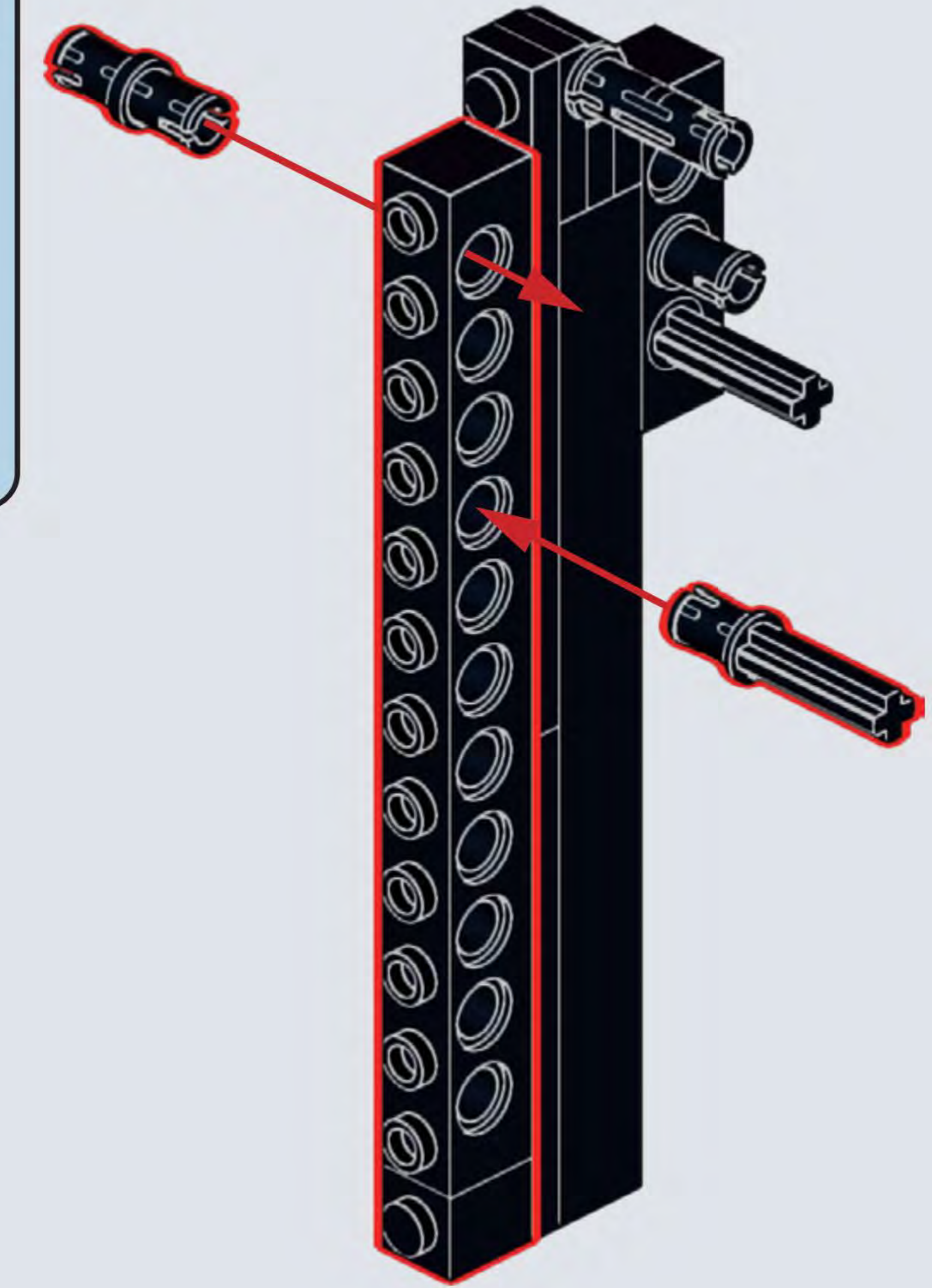




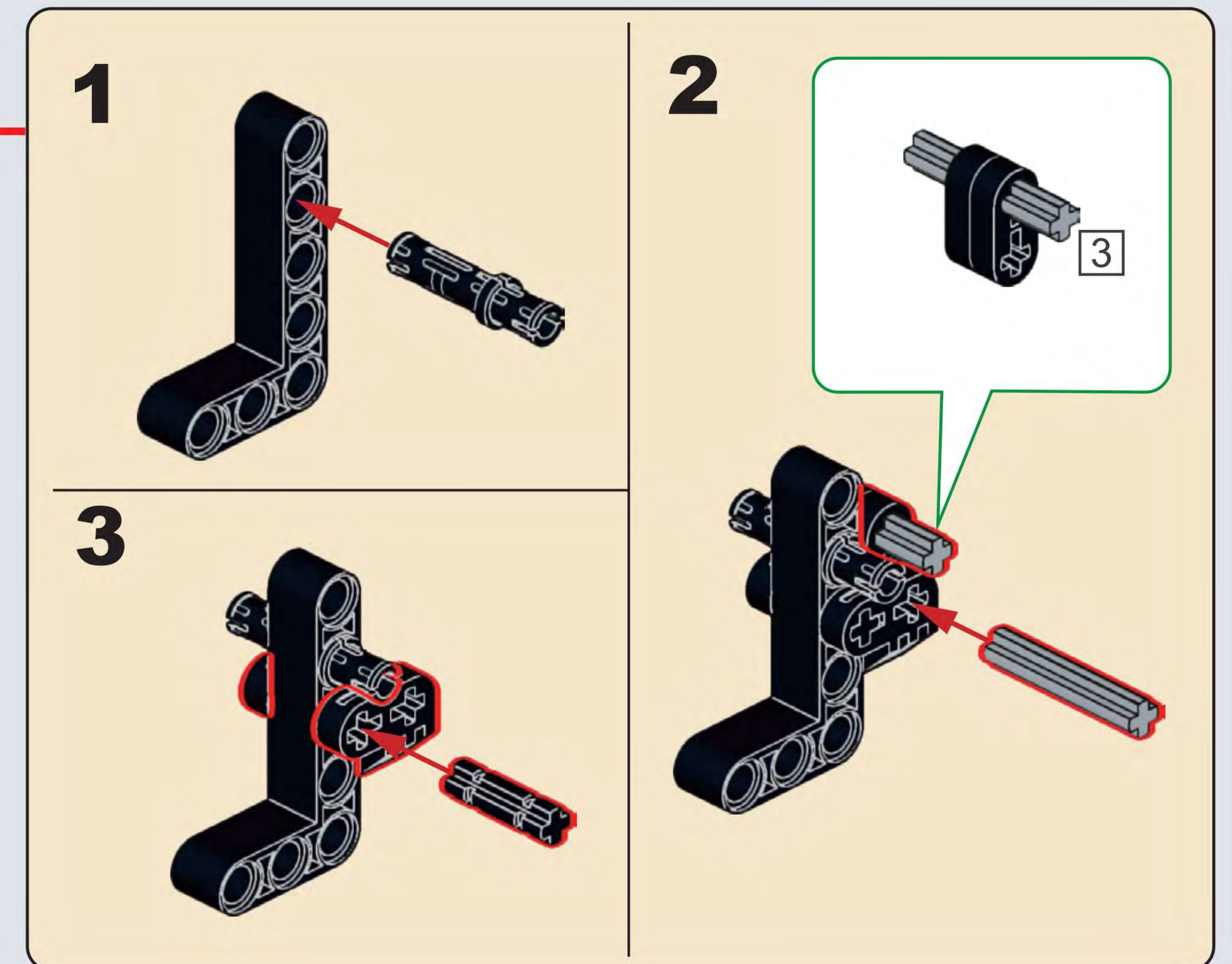
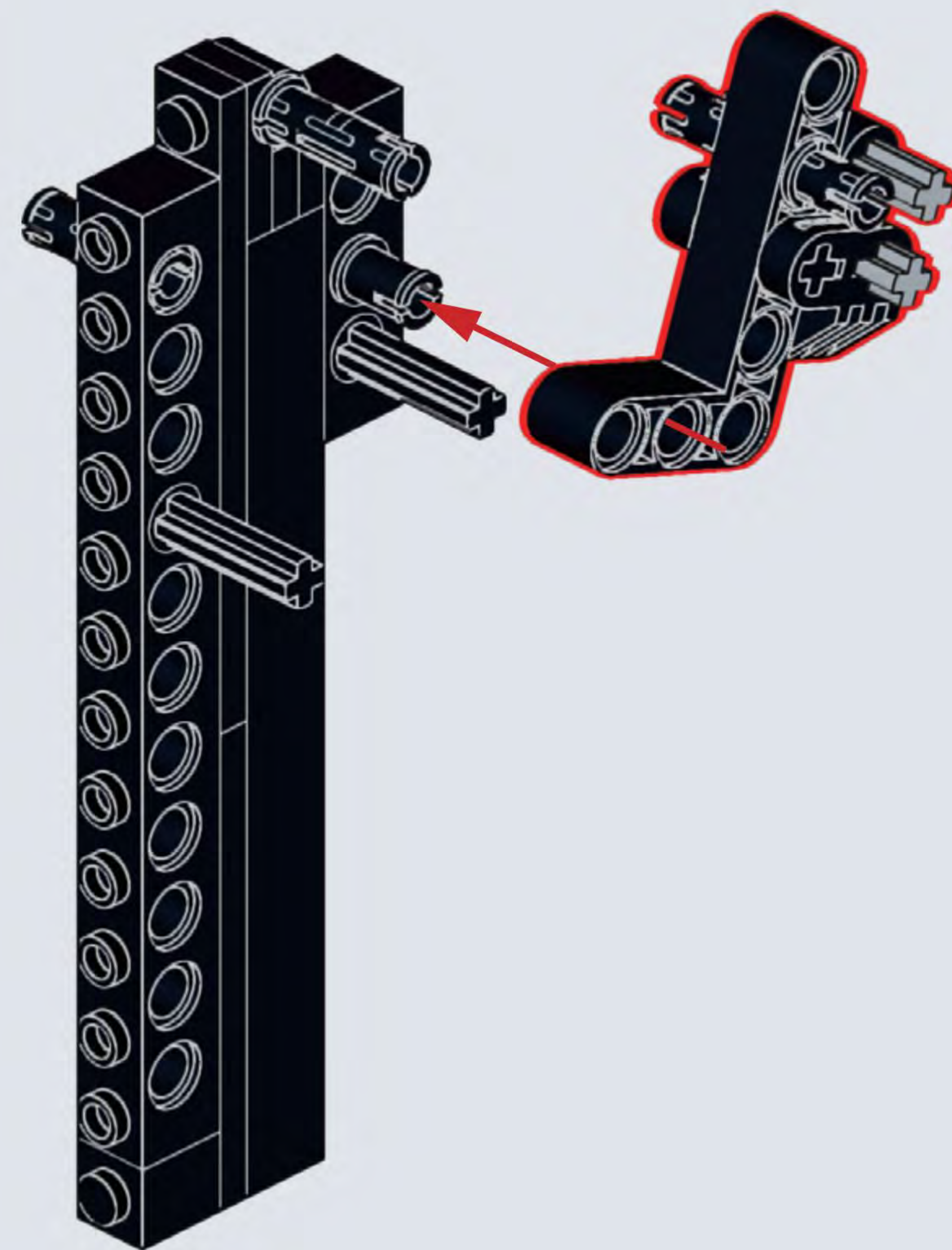
A37

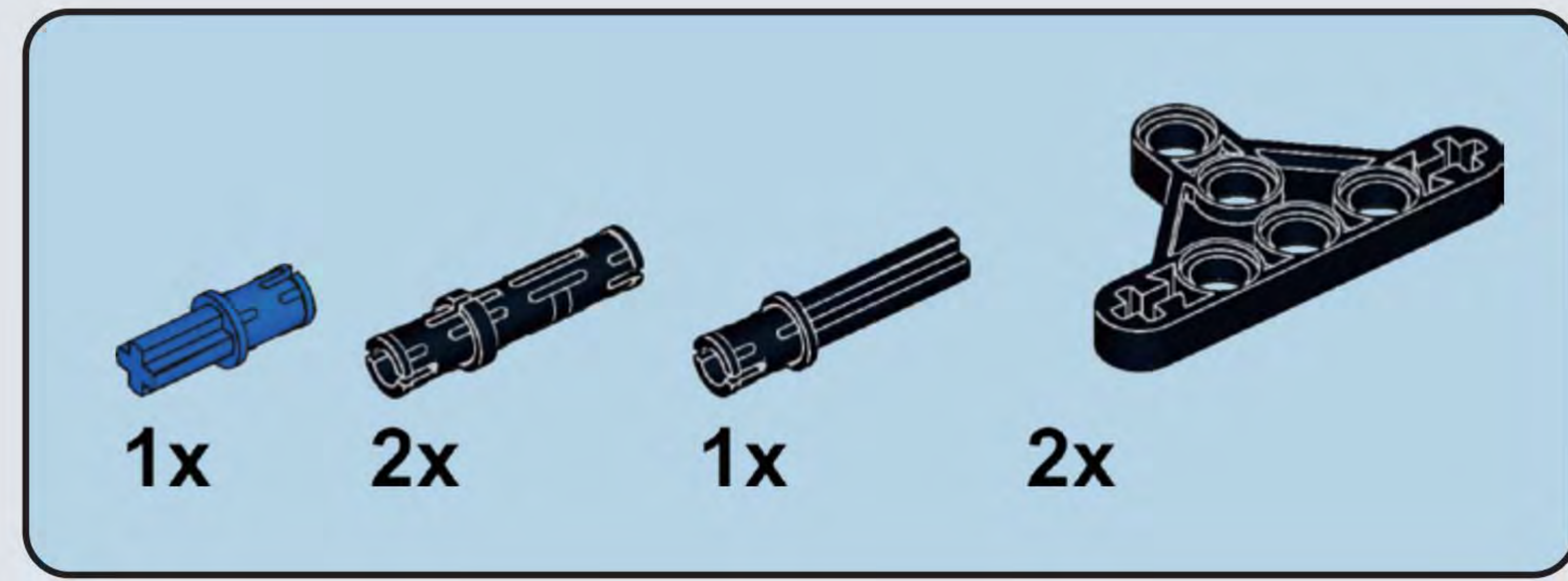


A38

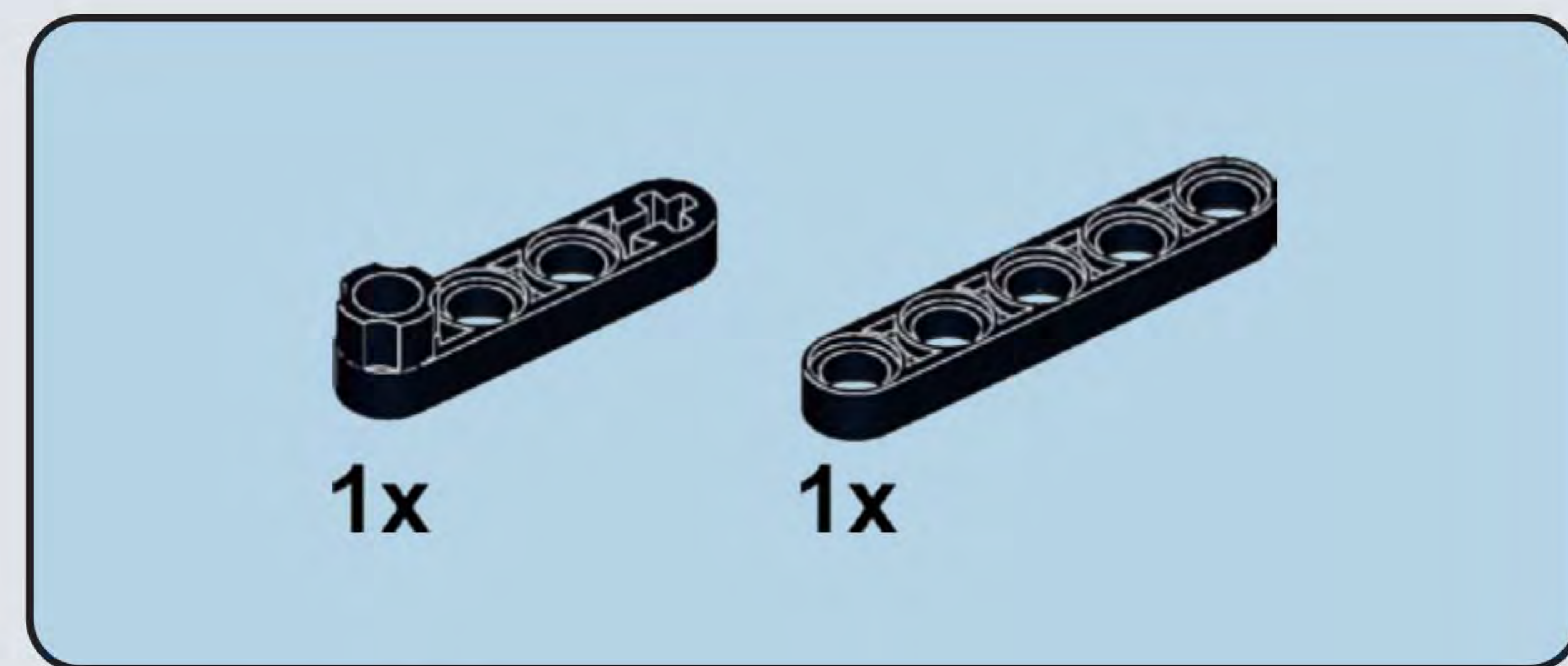
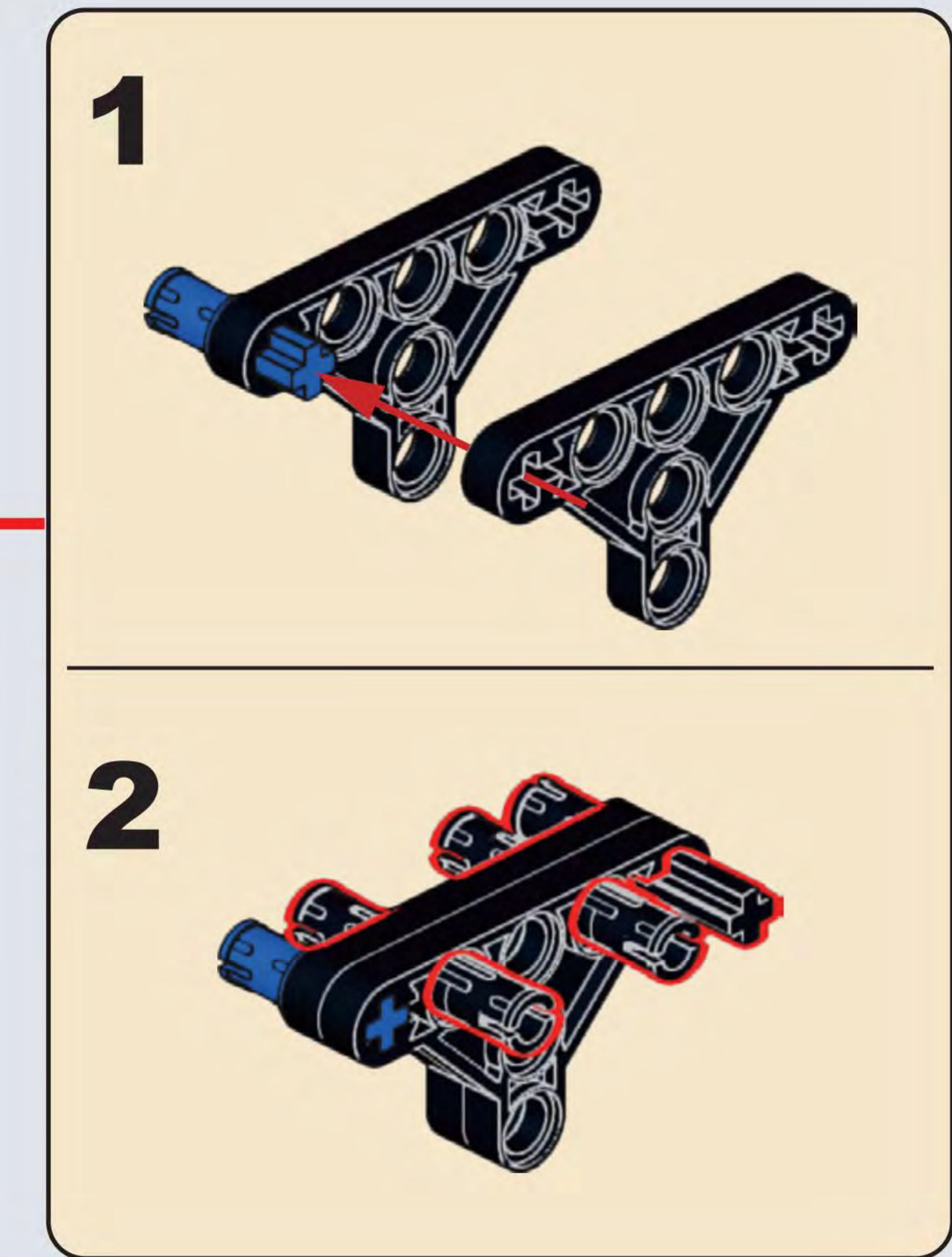
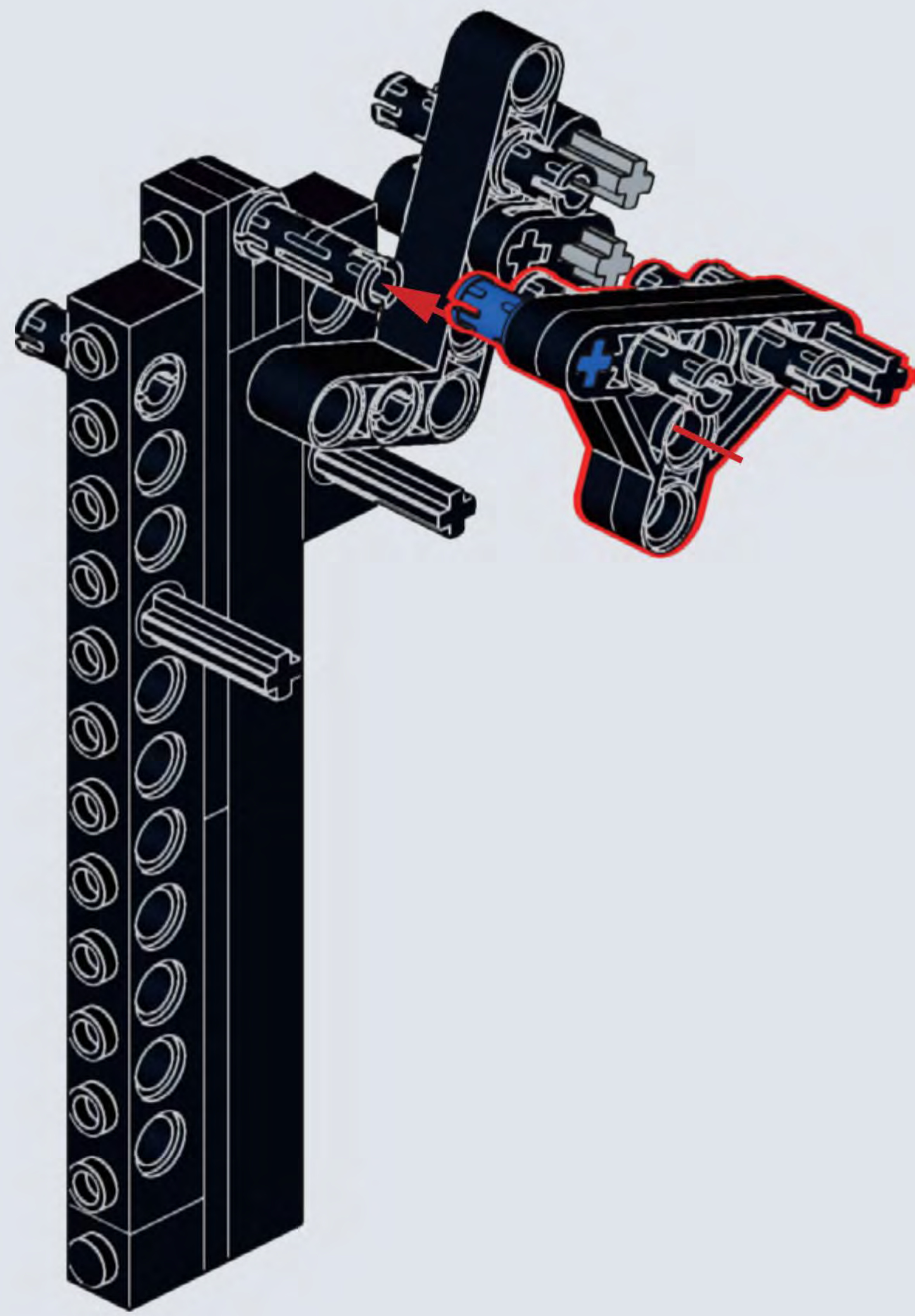


A39

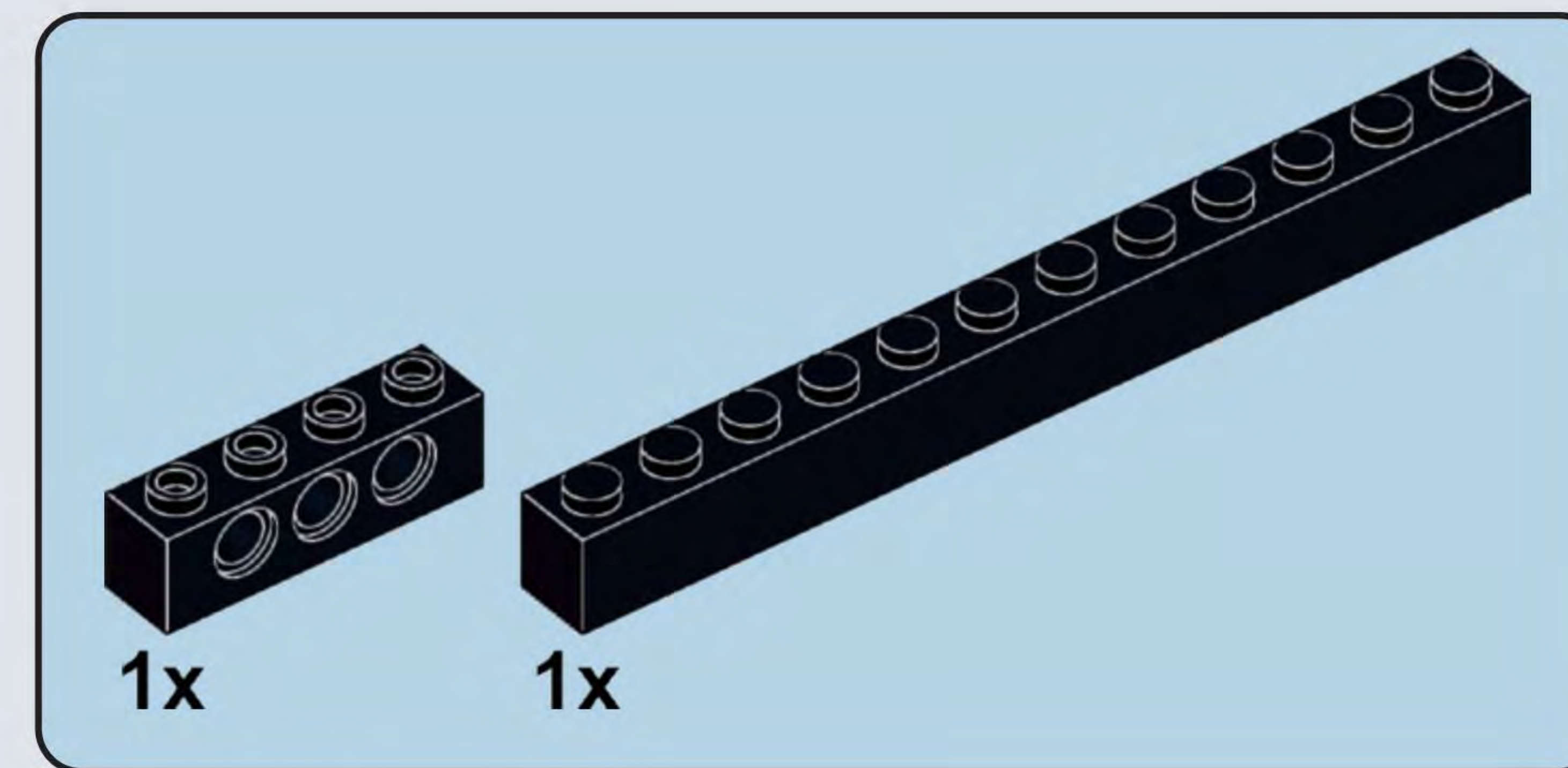
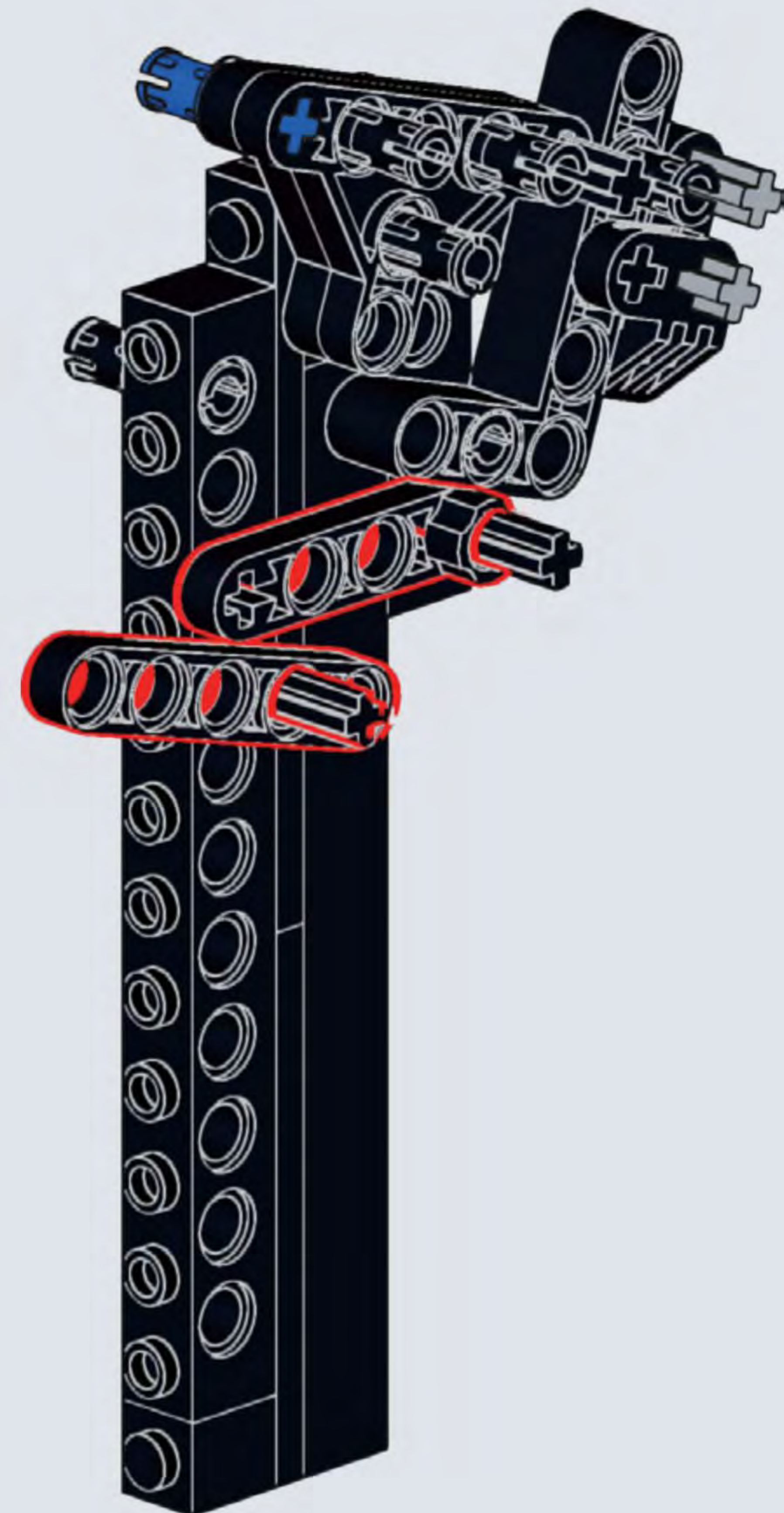




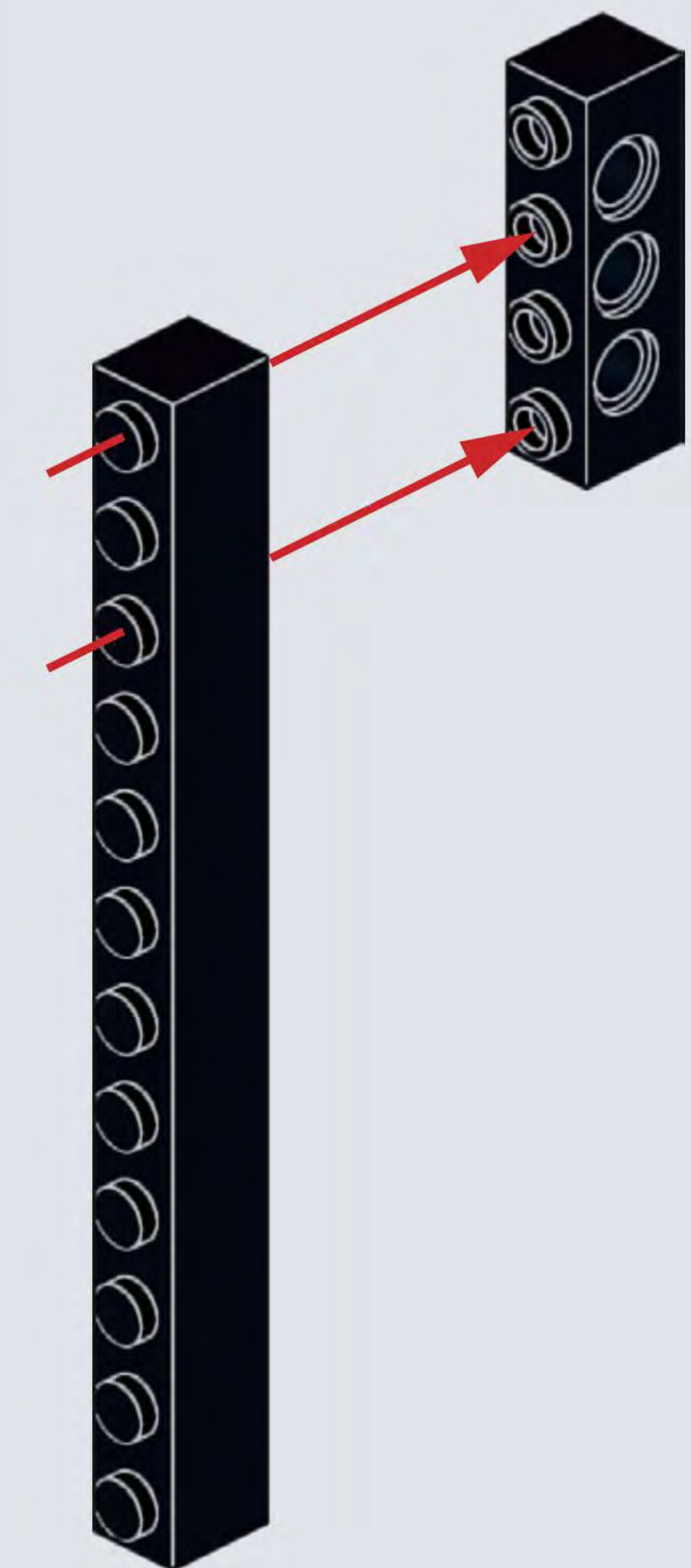
A40

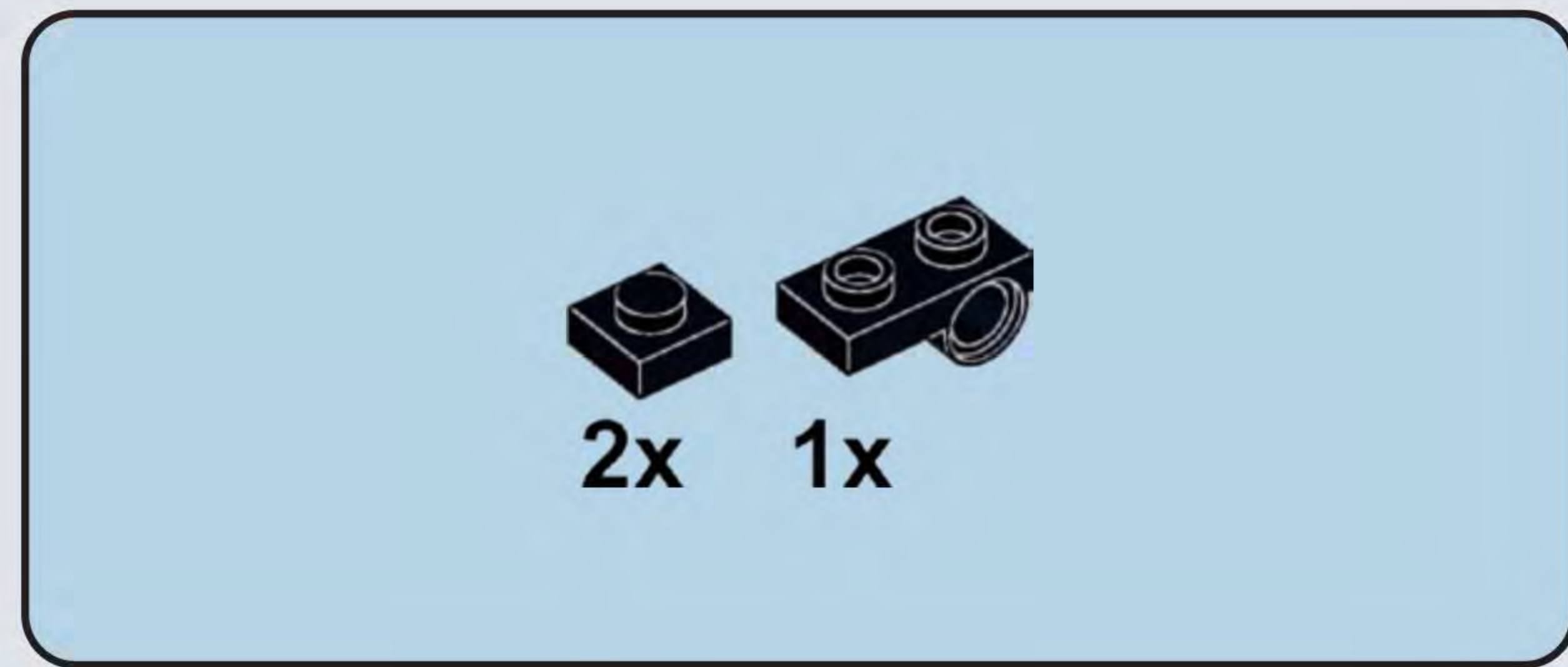


A41

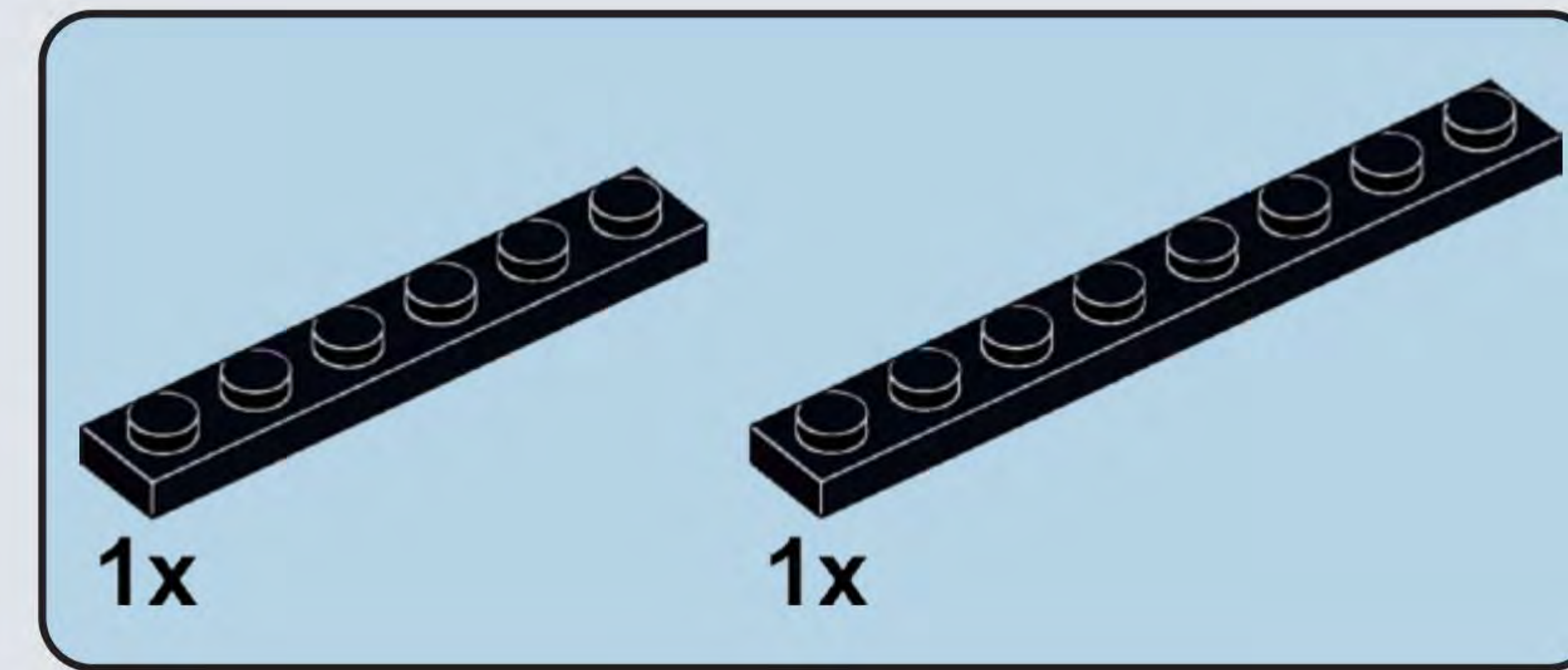
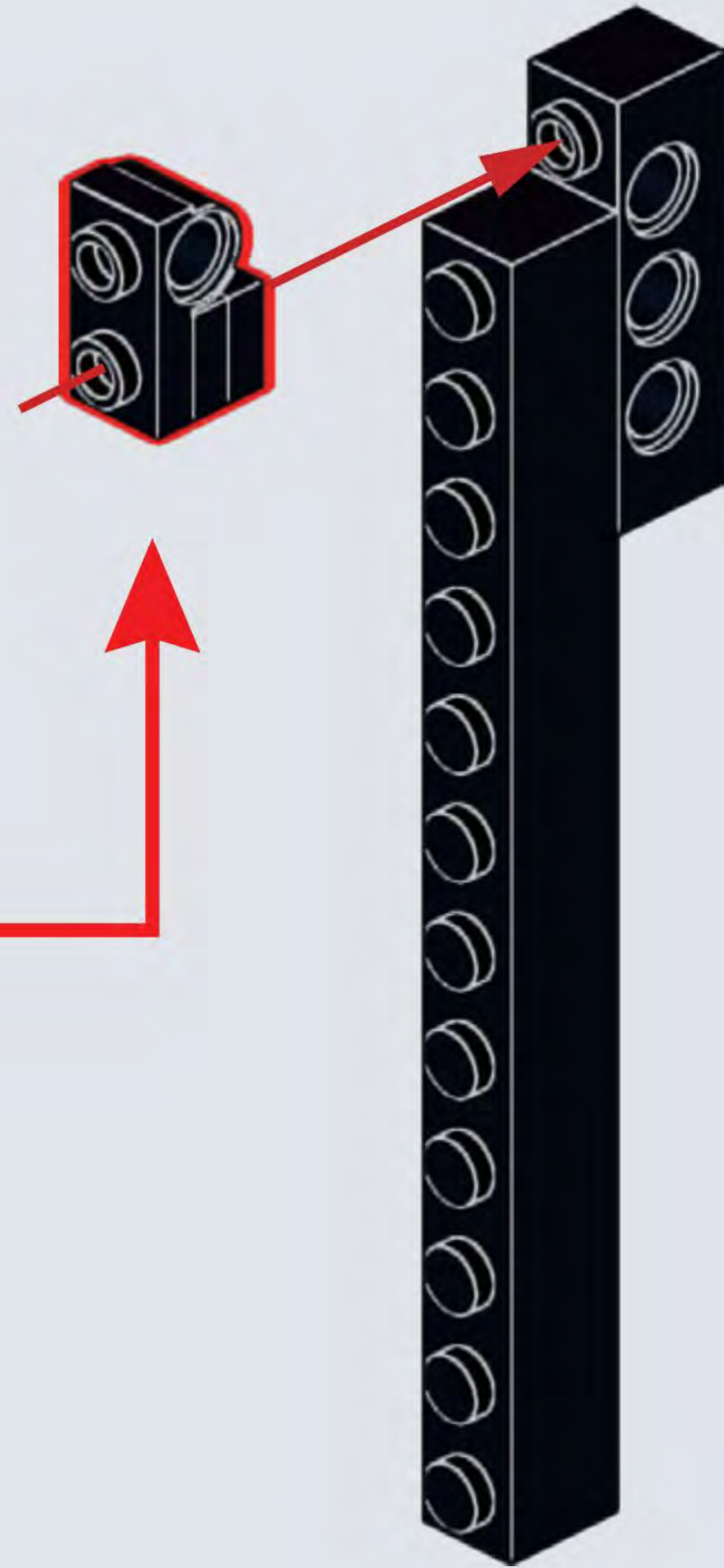
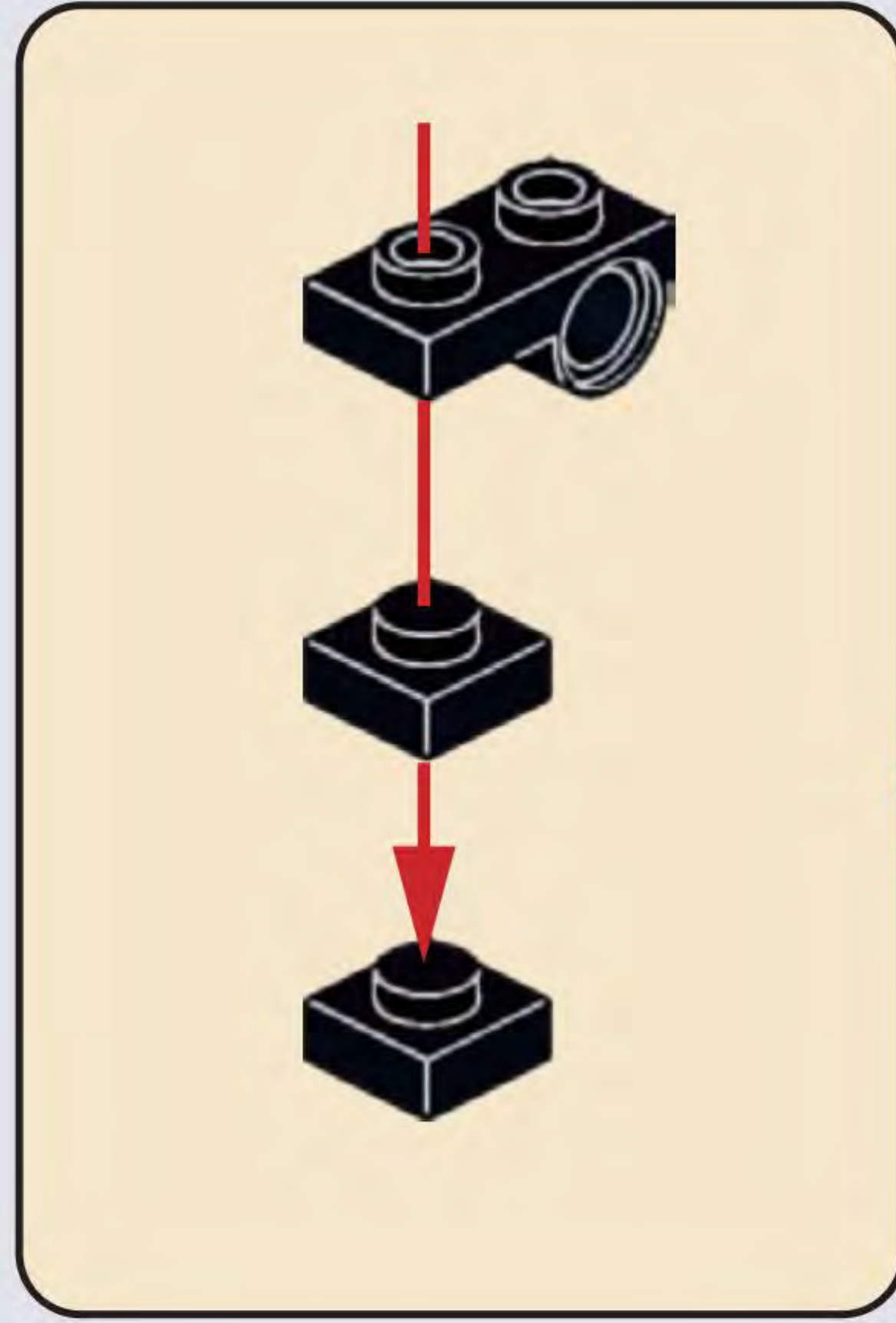


A42

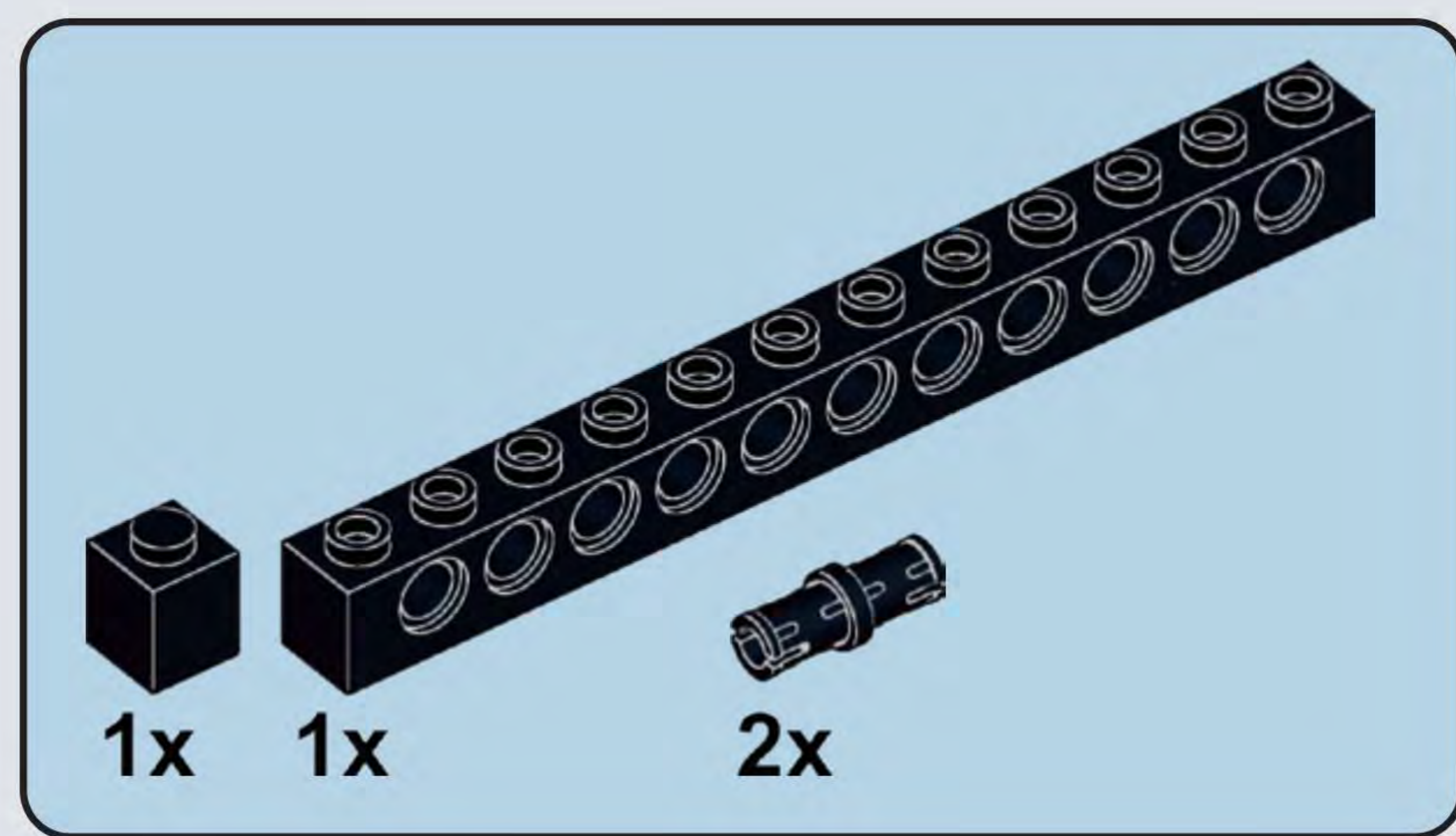
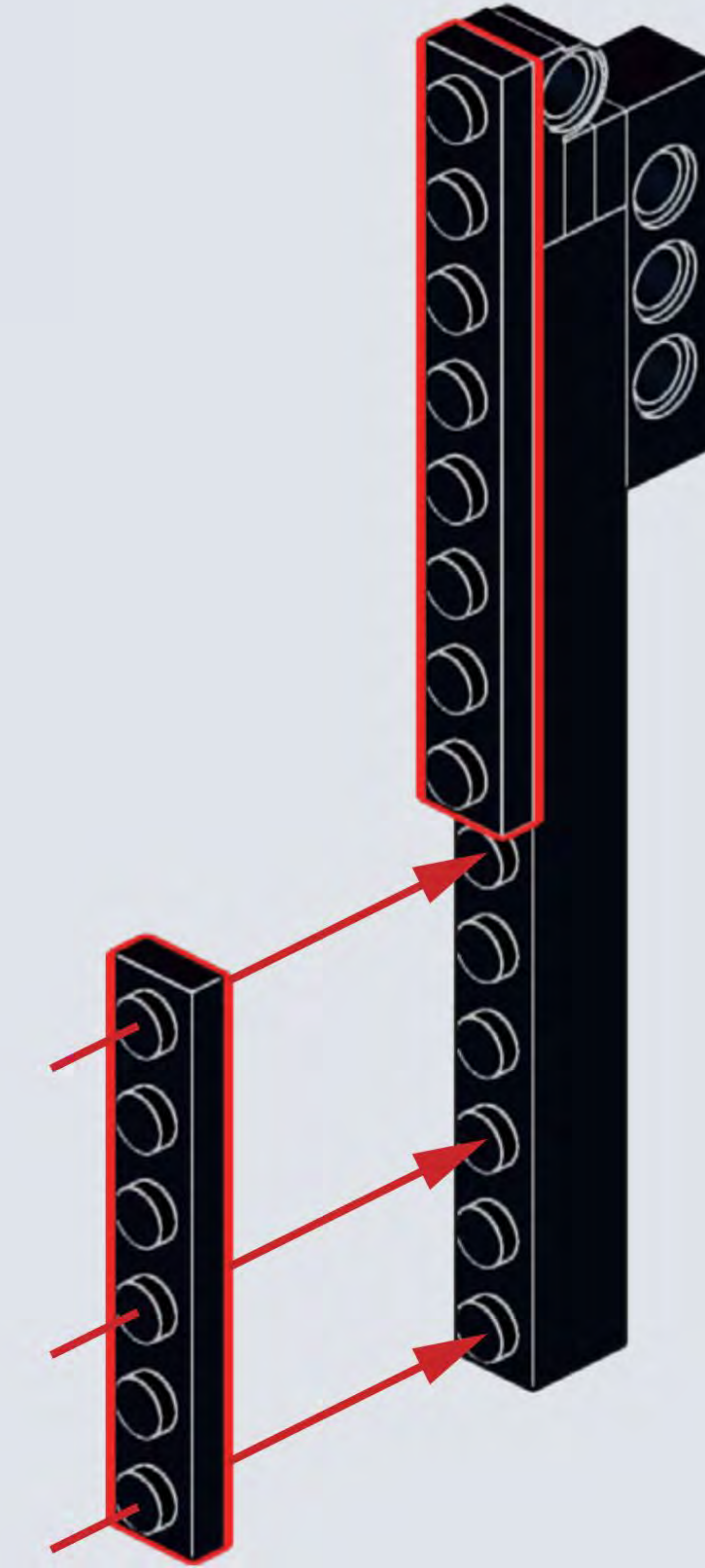




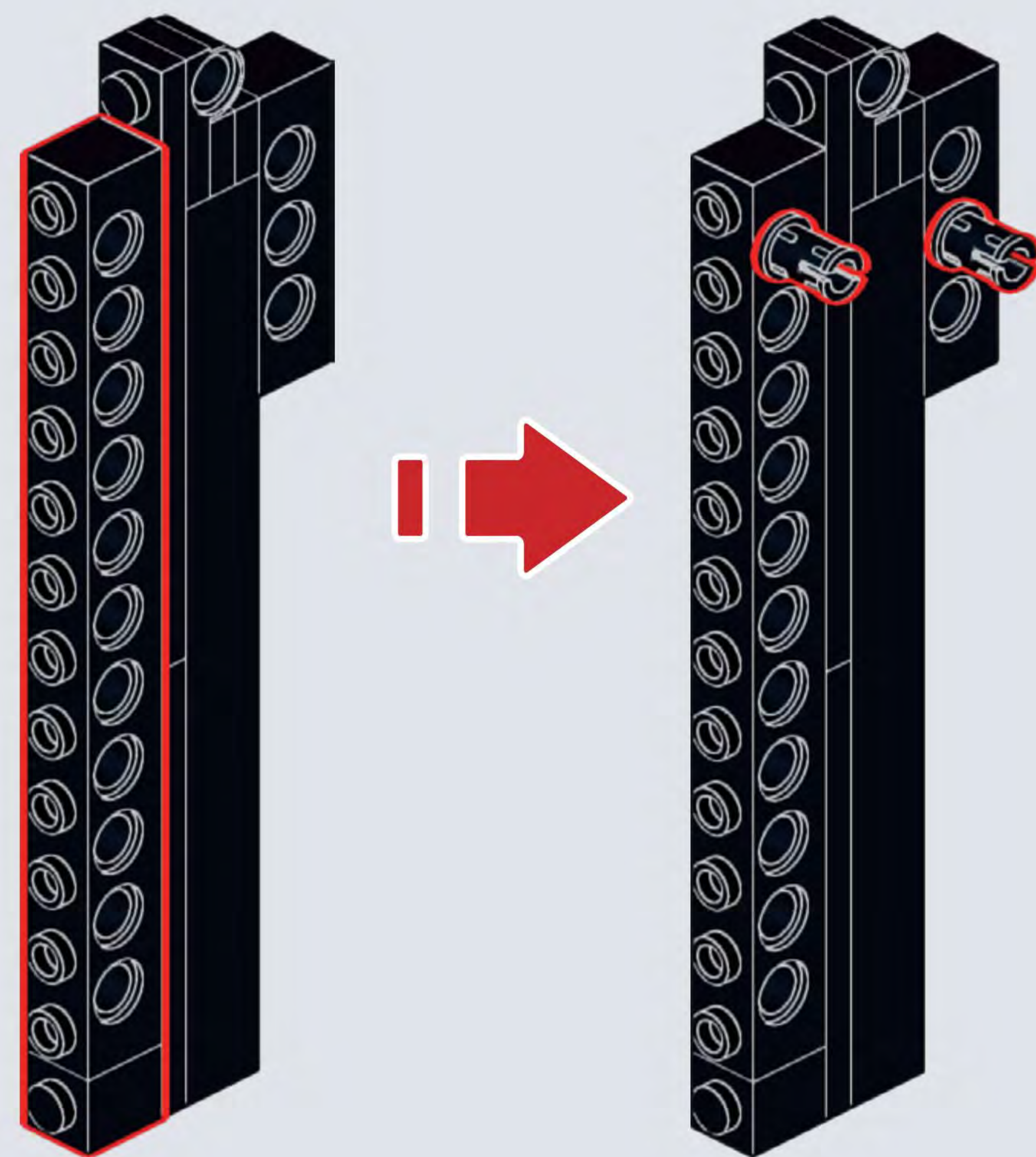
A43



A44

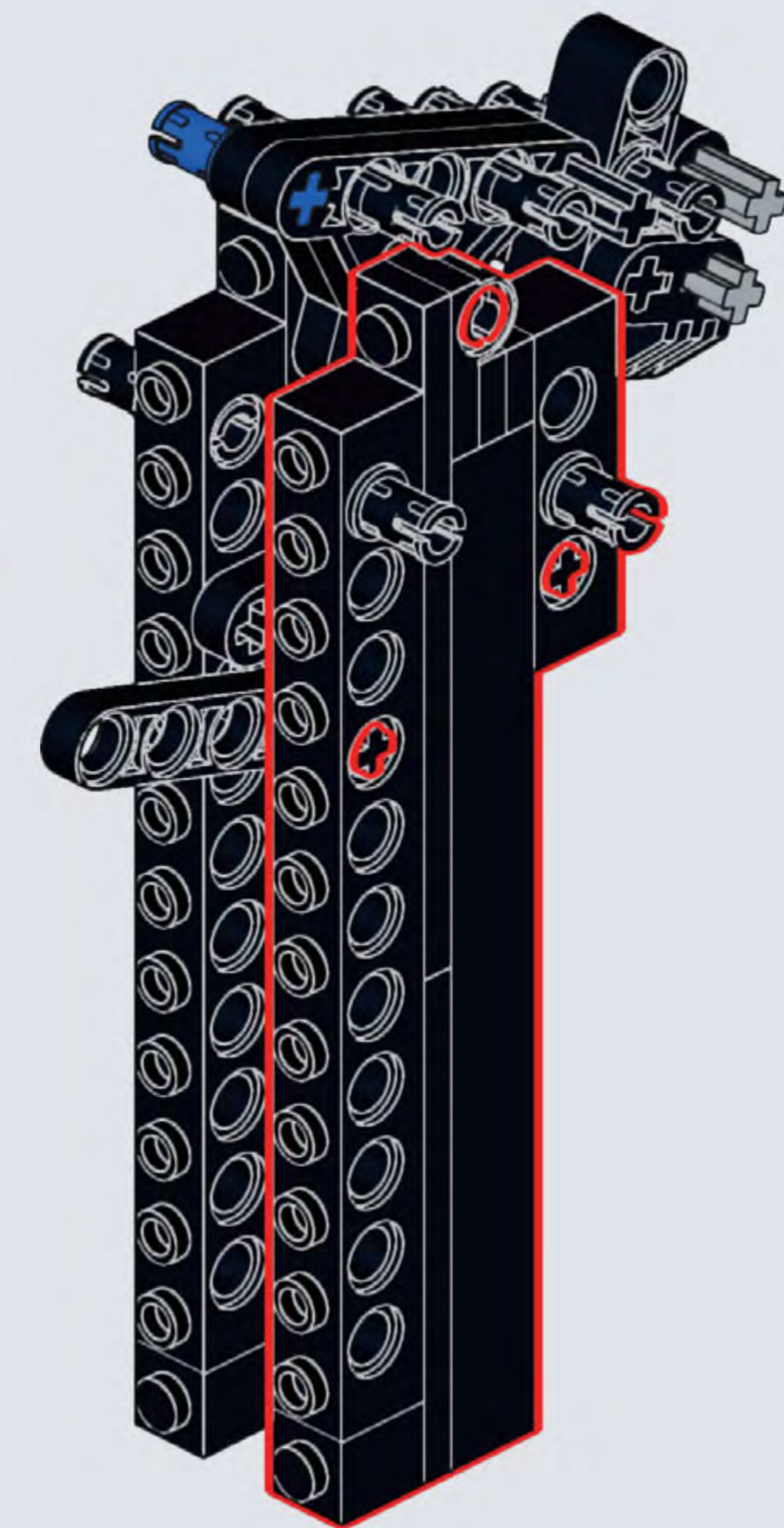


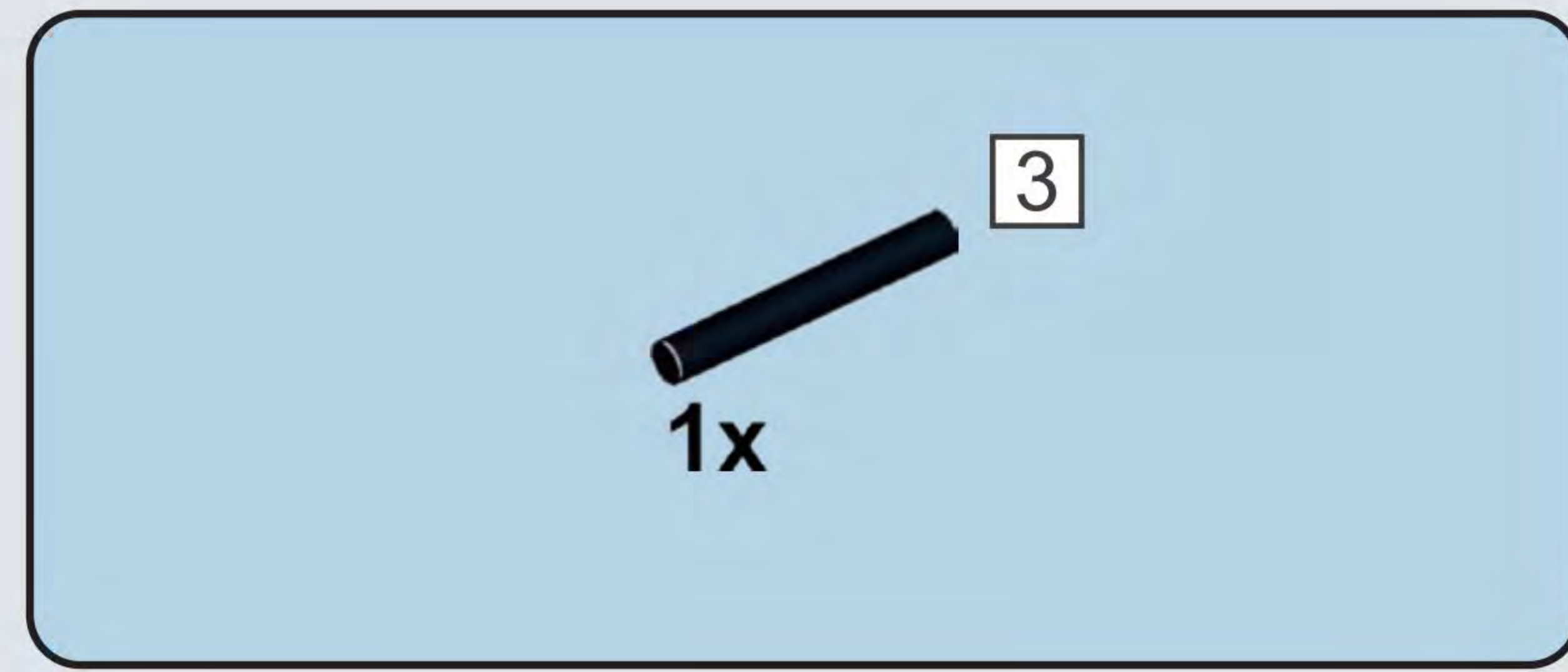
A45



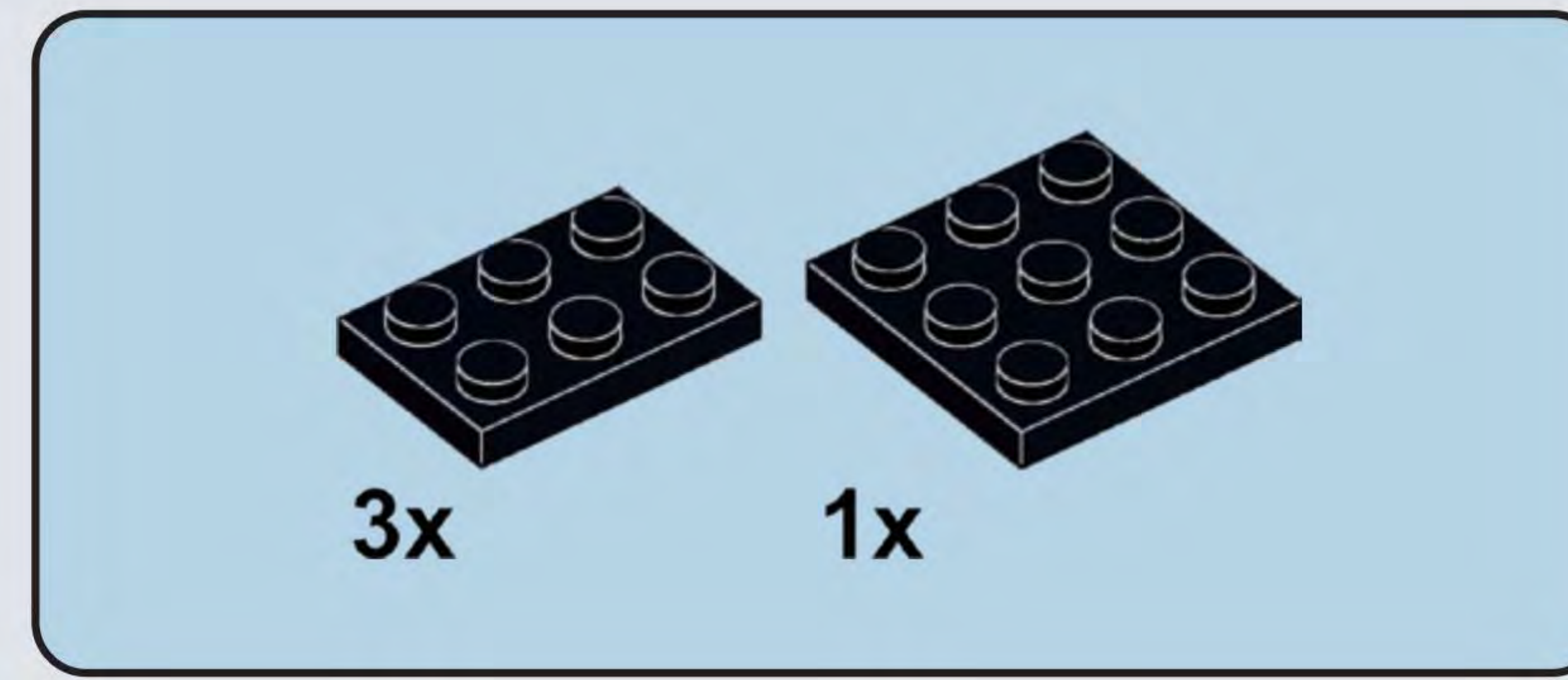
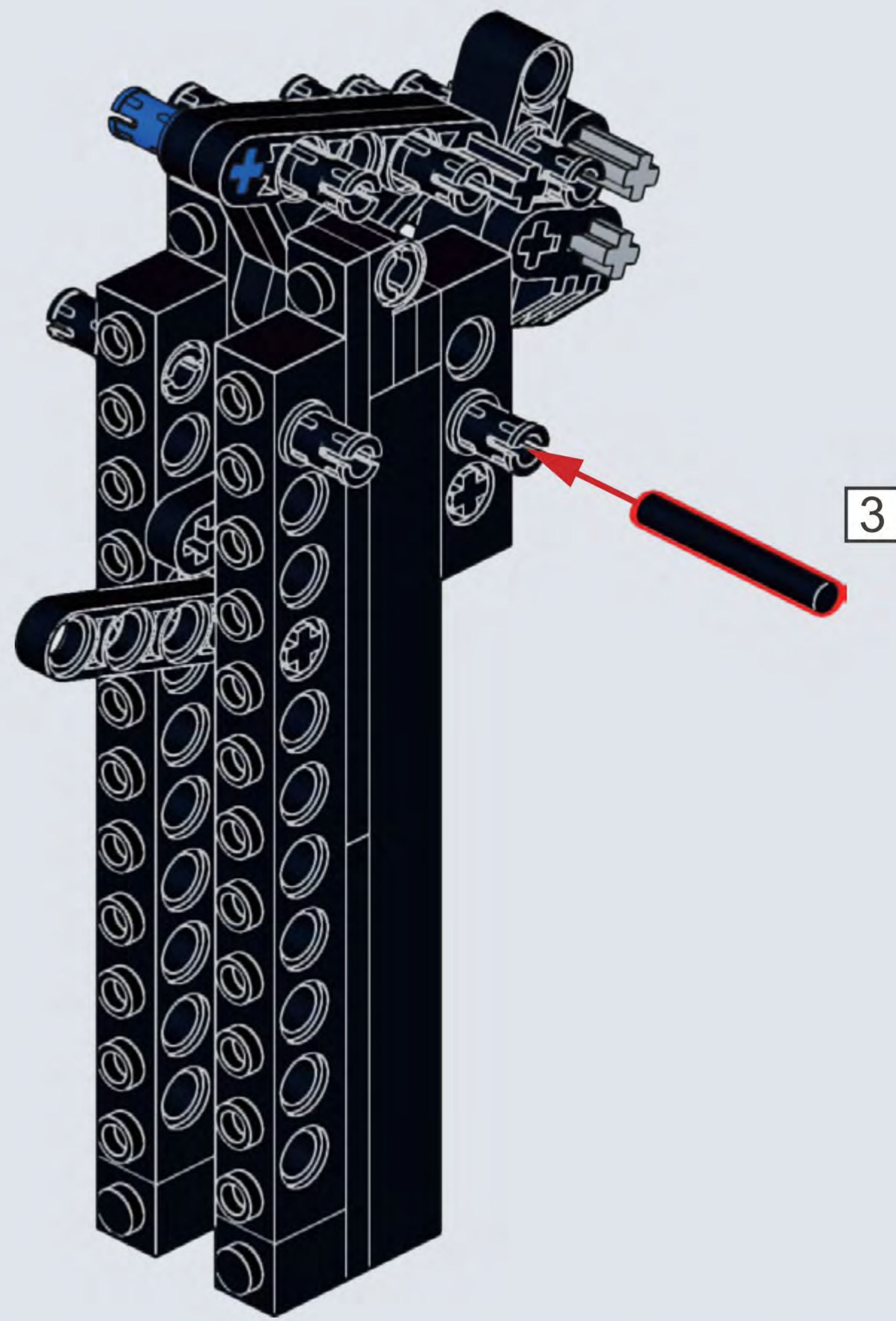
A46

A41

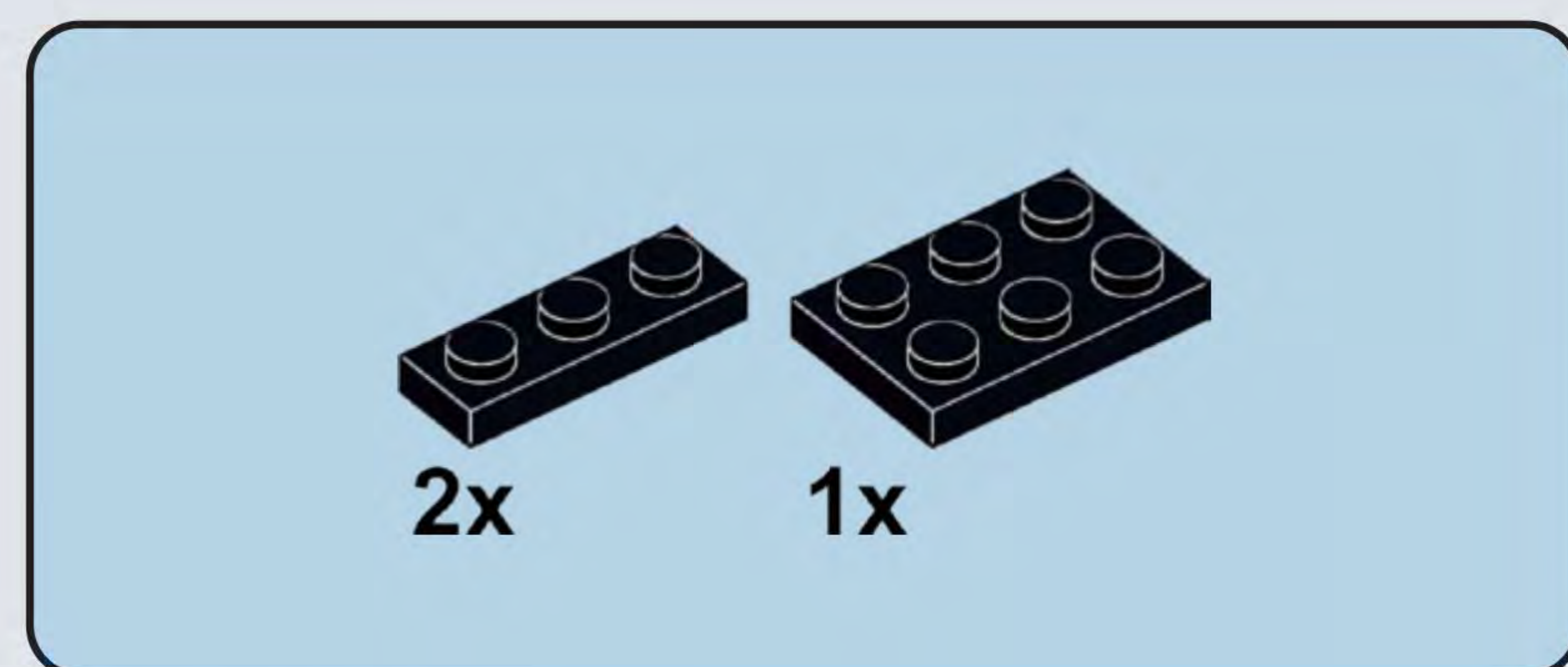
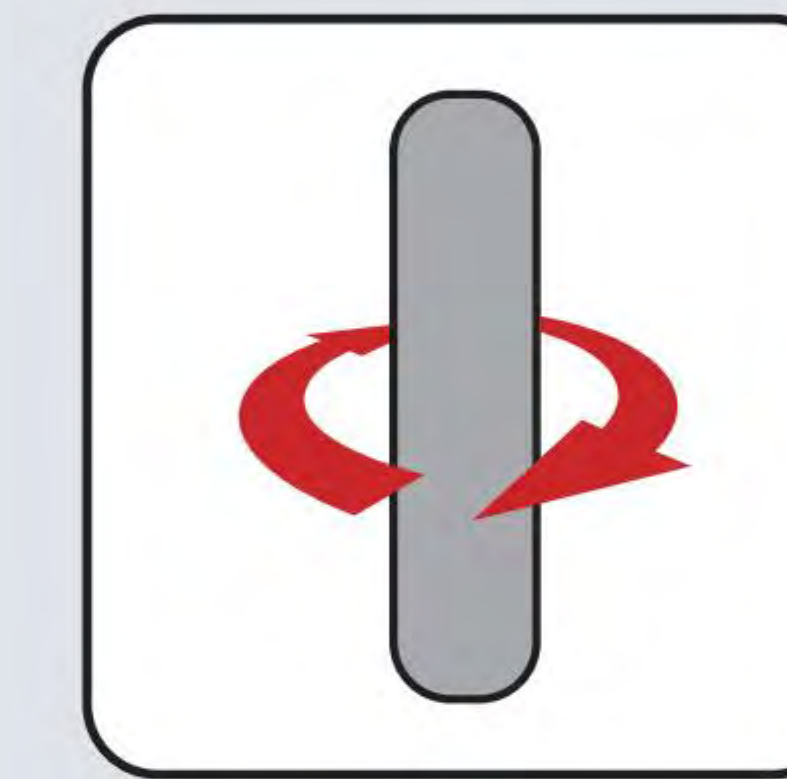
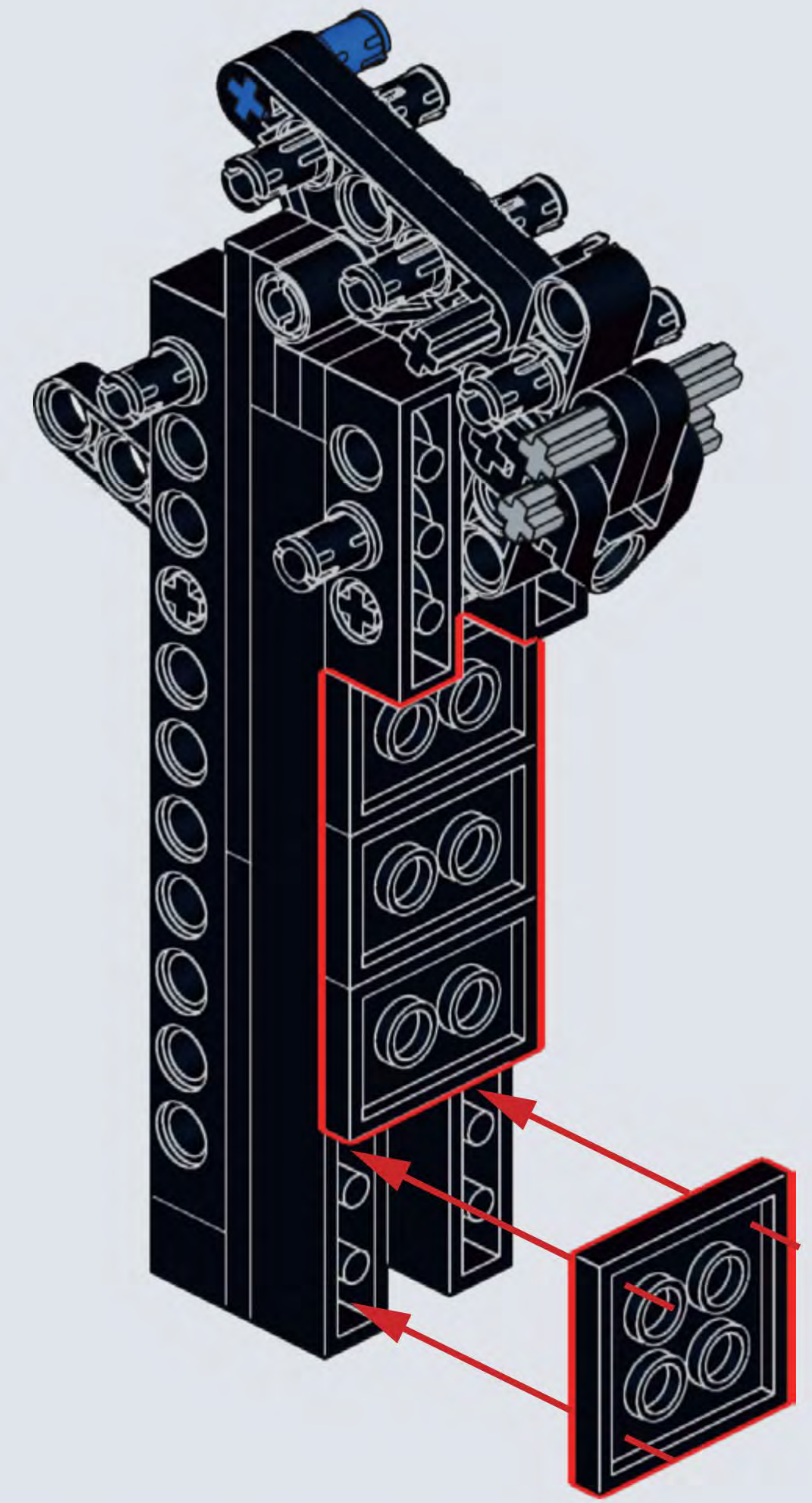




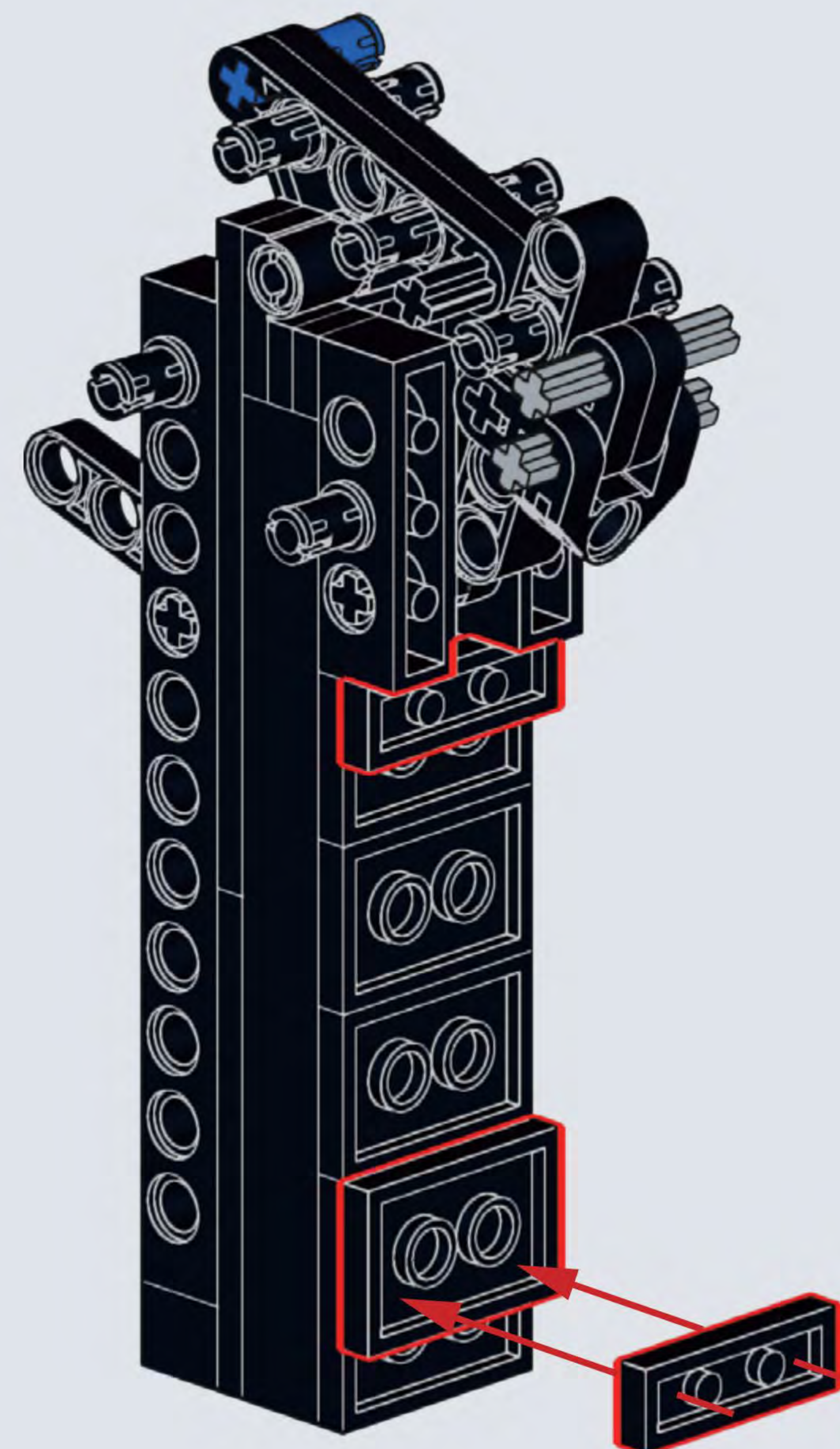
A47

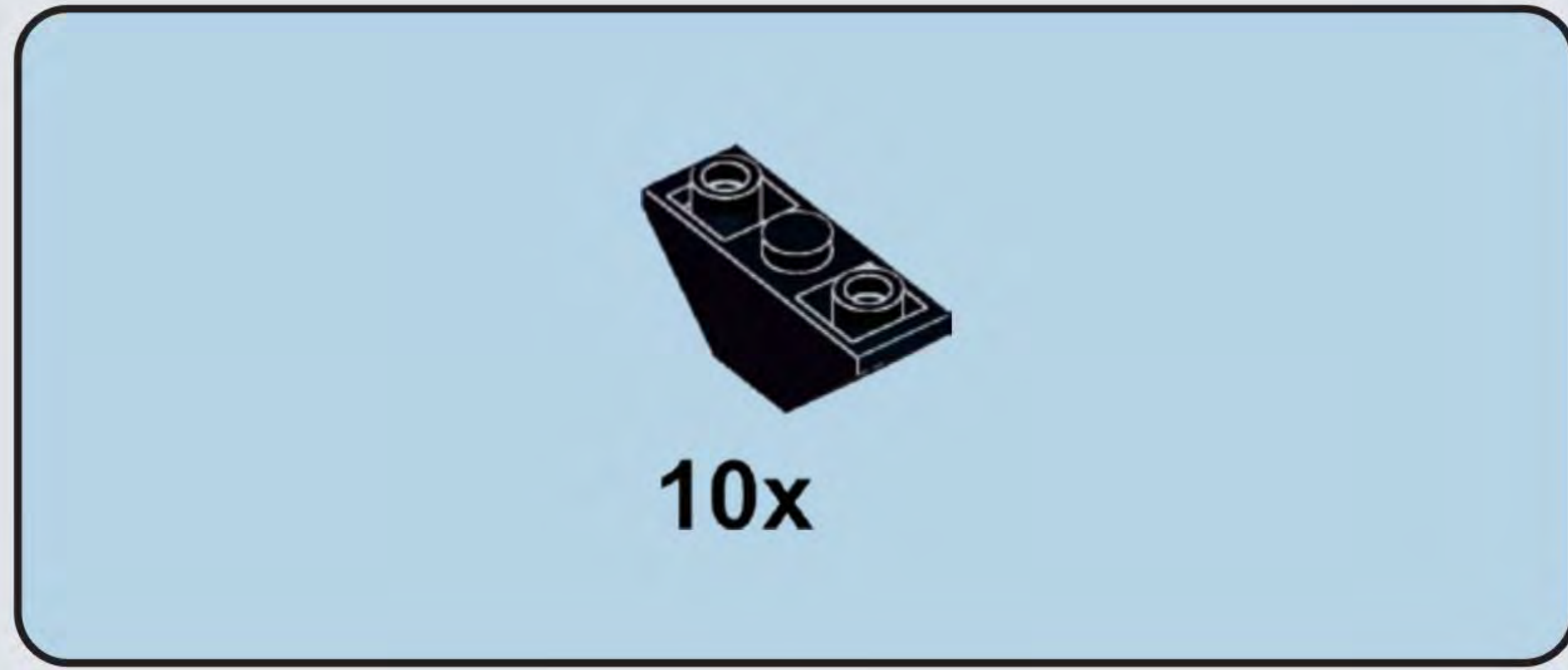


A48

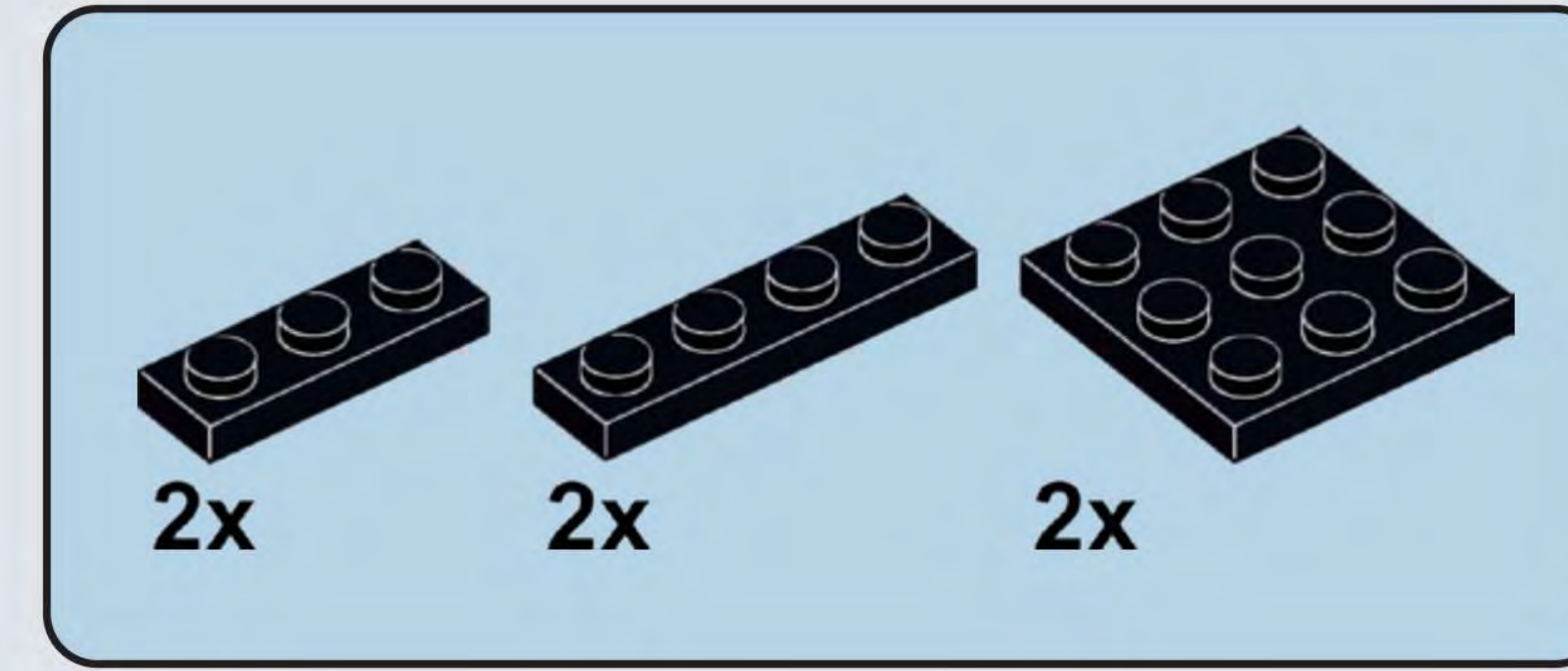
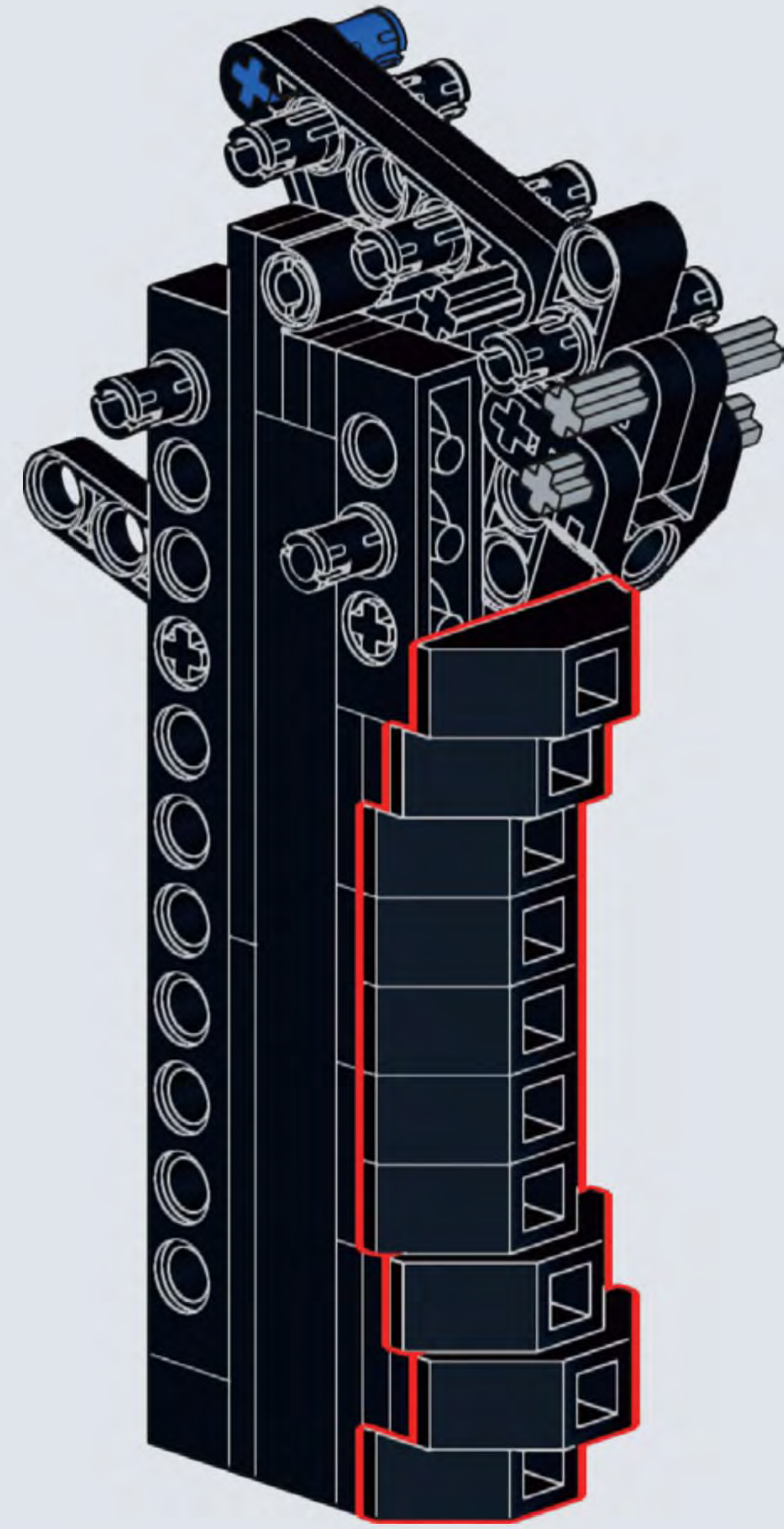


A49

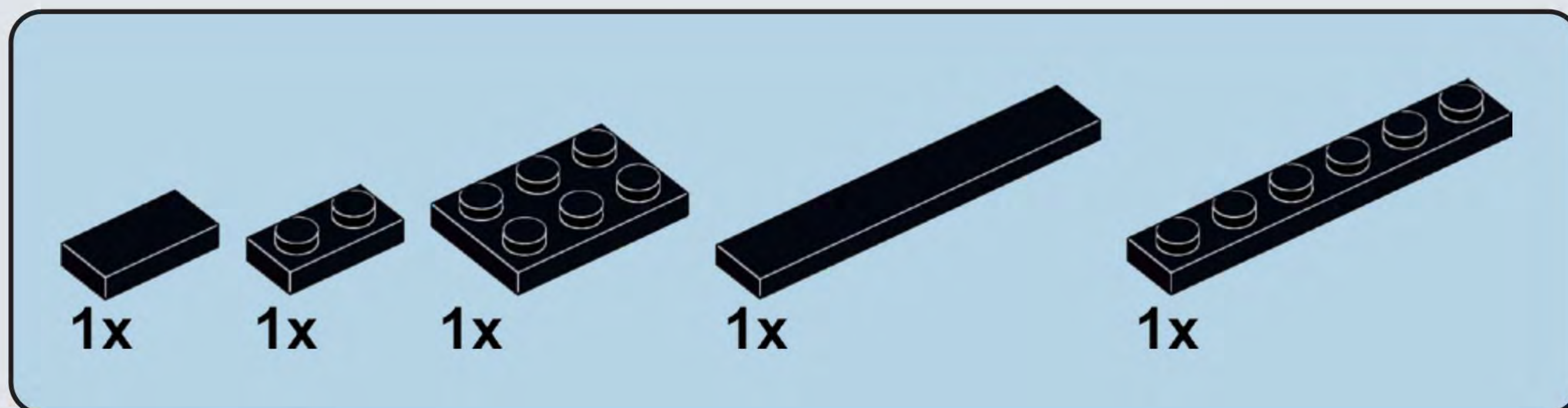
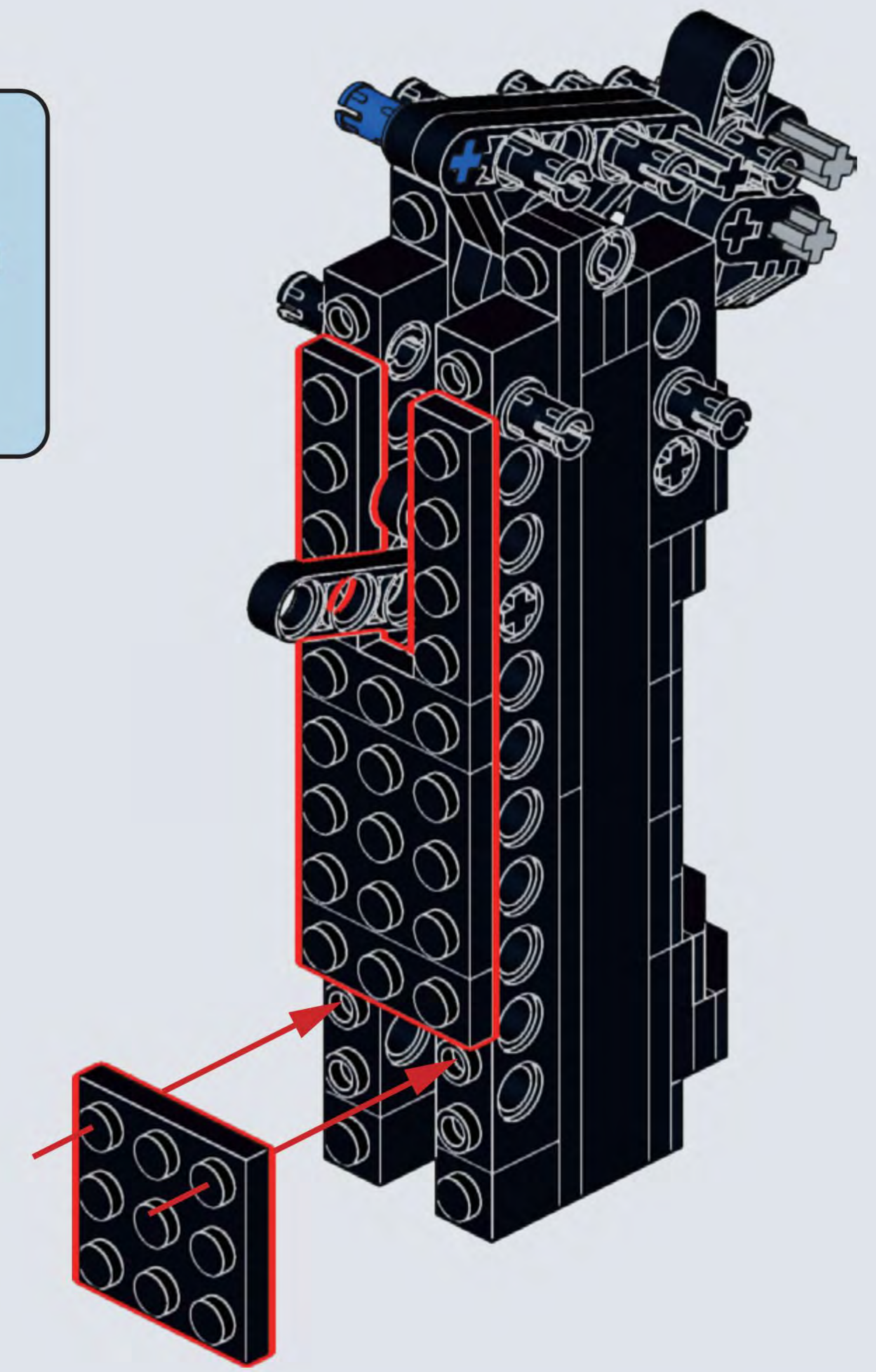
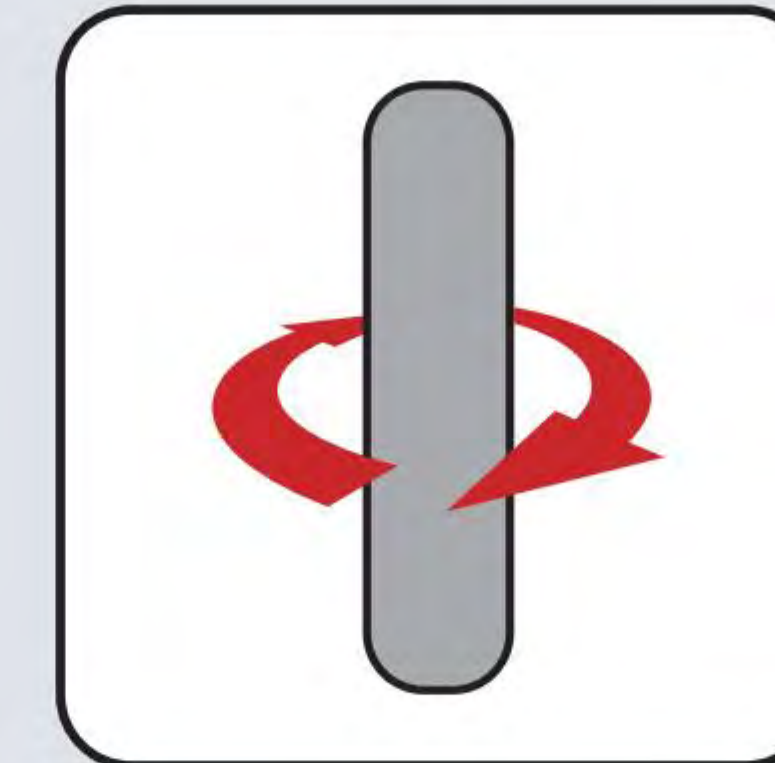




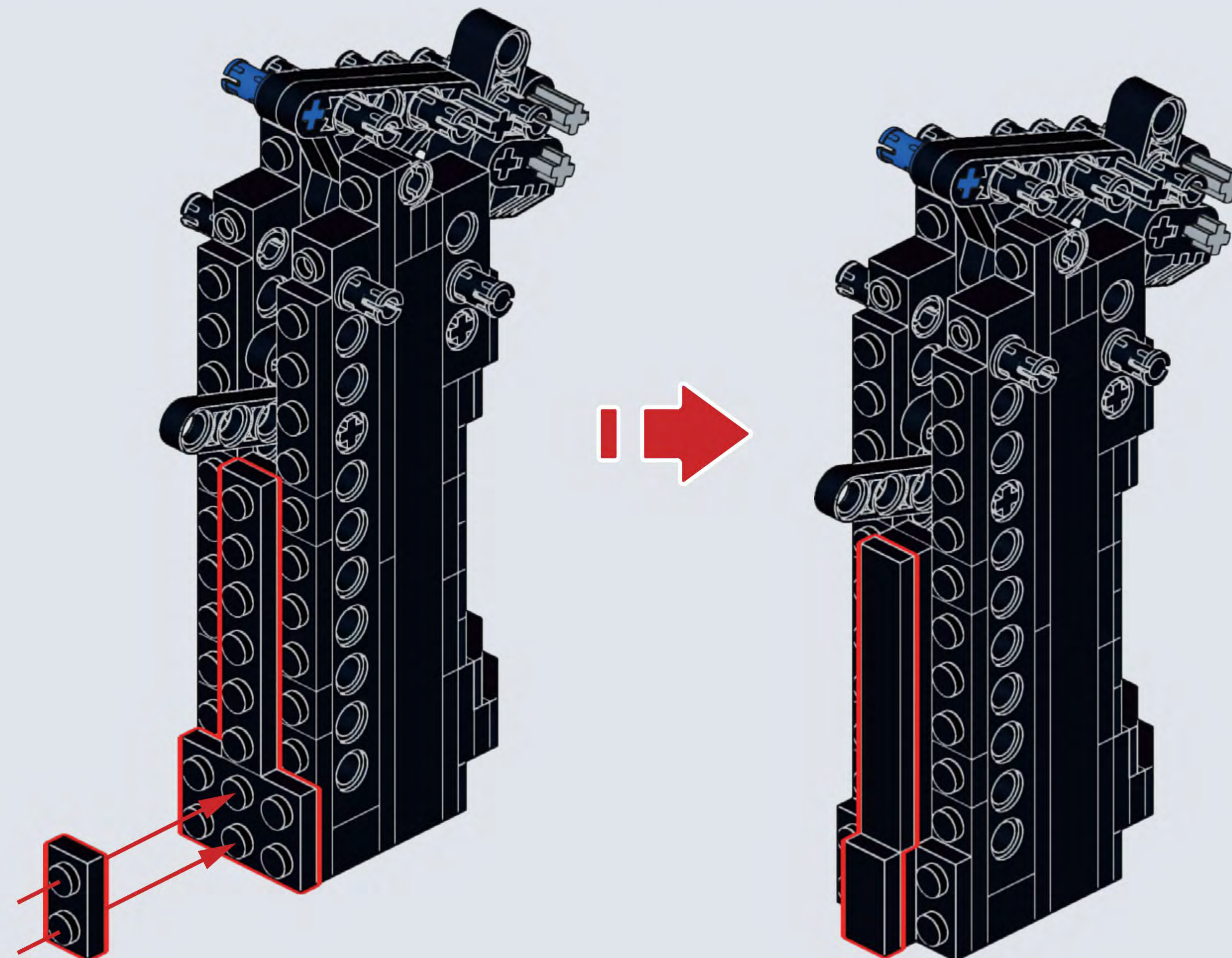
A50

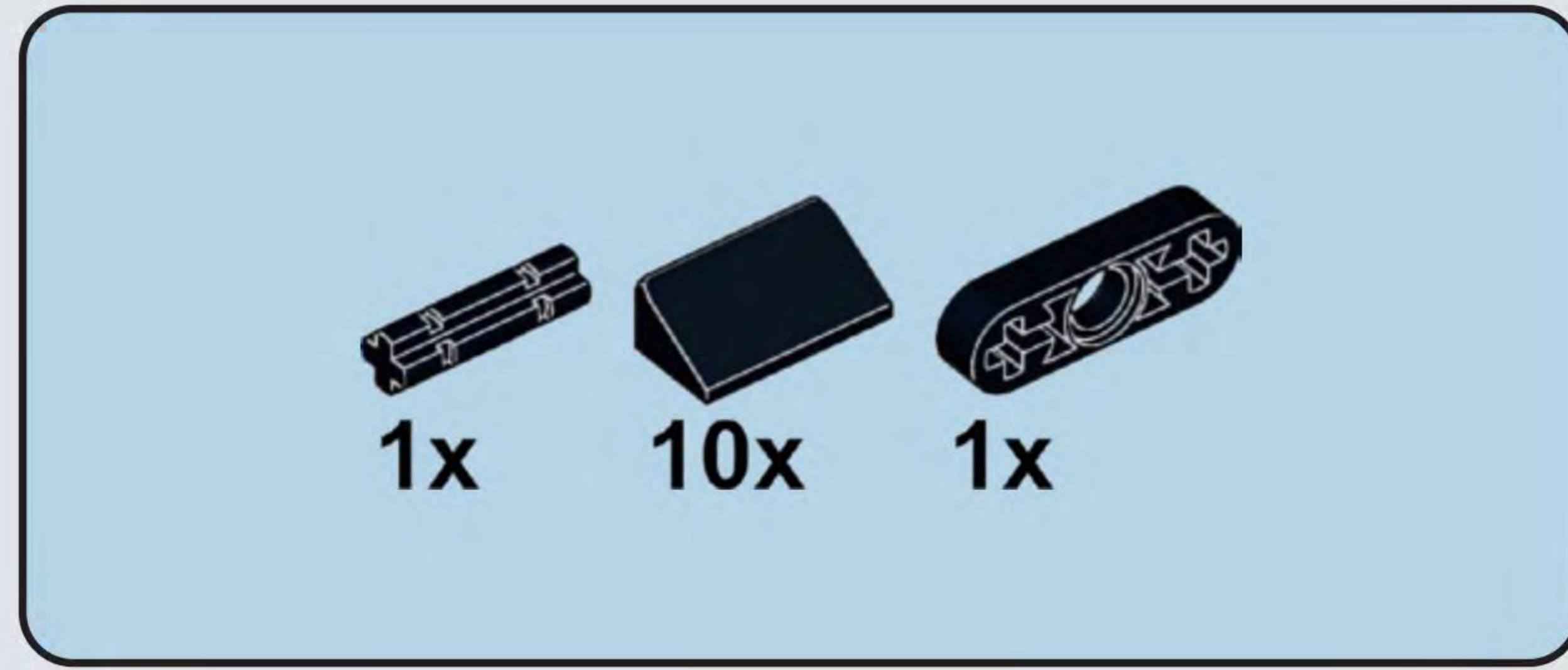


A51

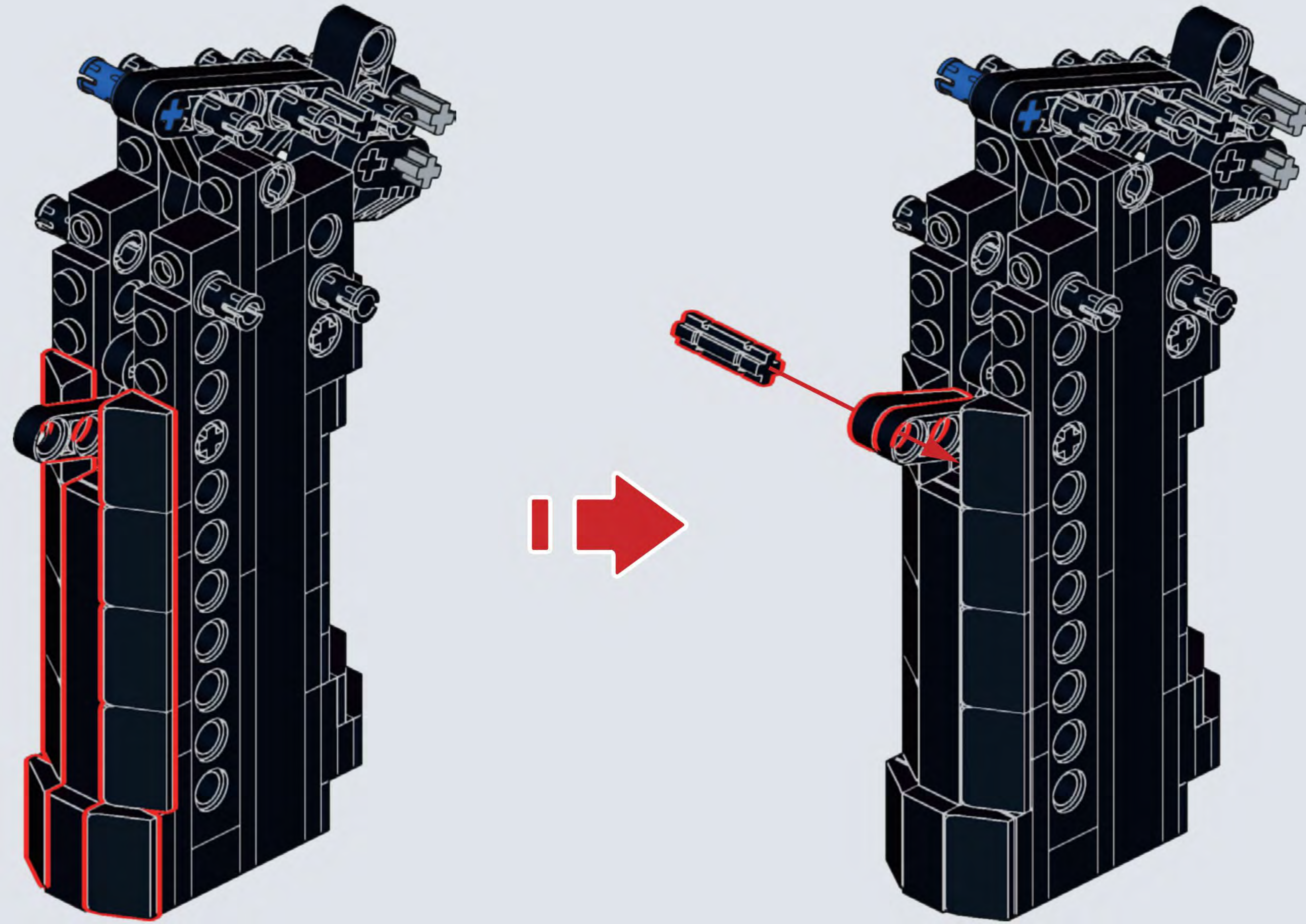


A52

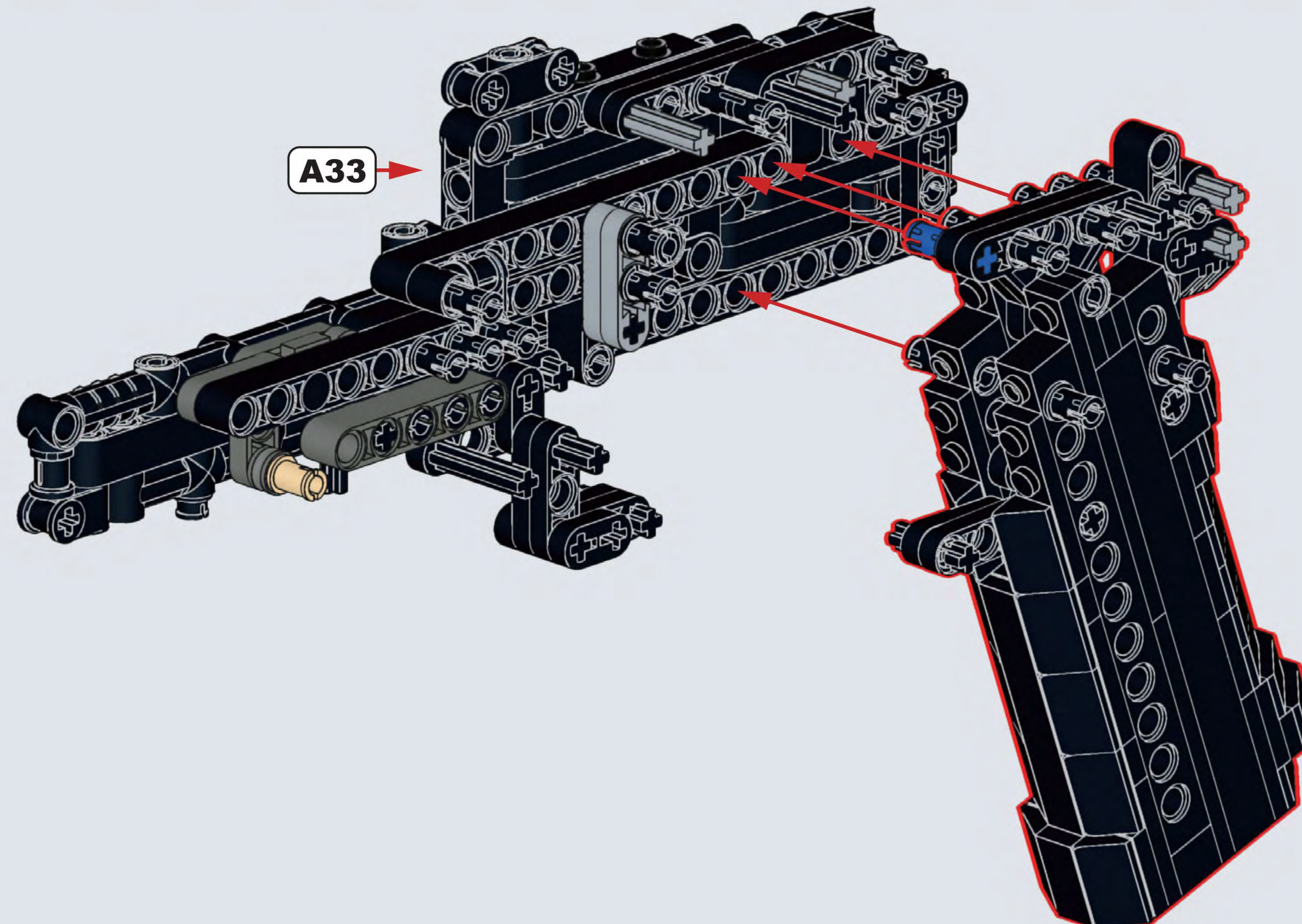


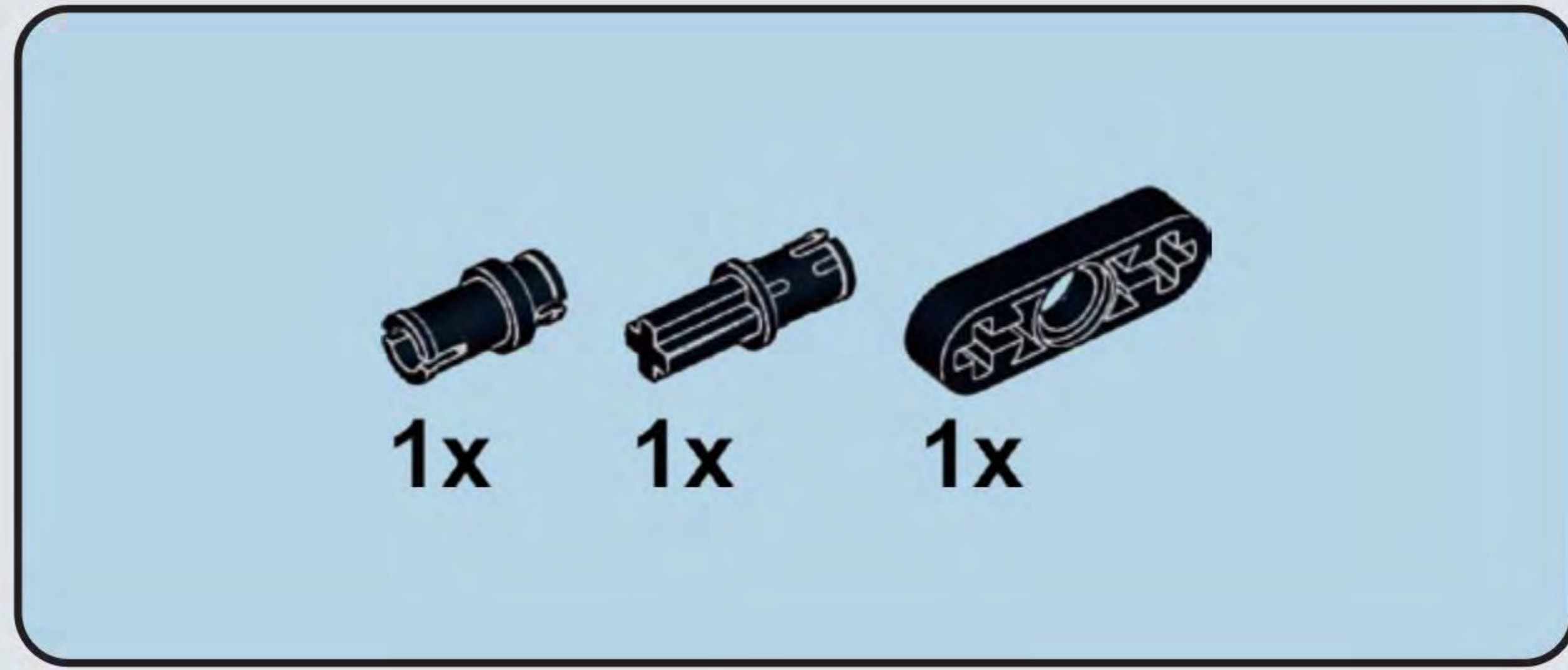


A53

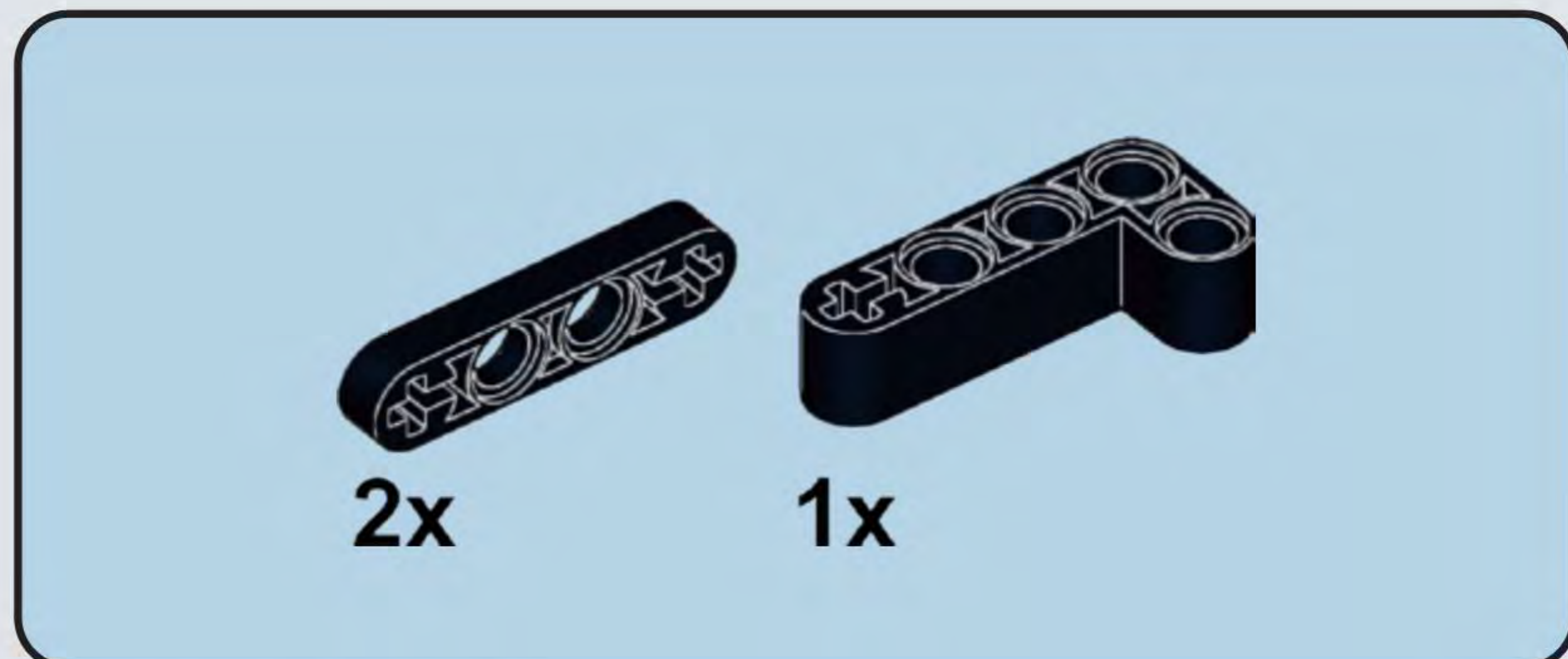
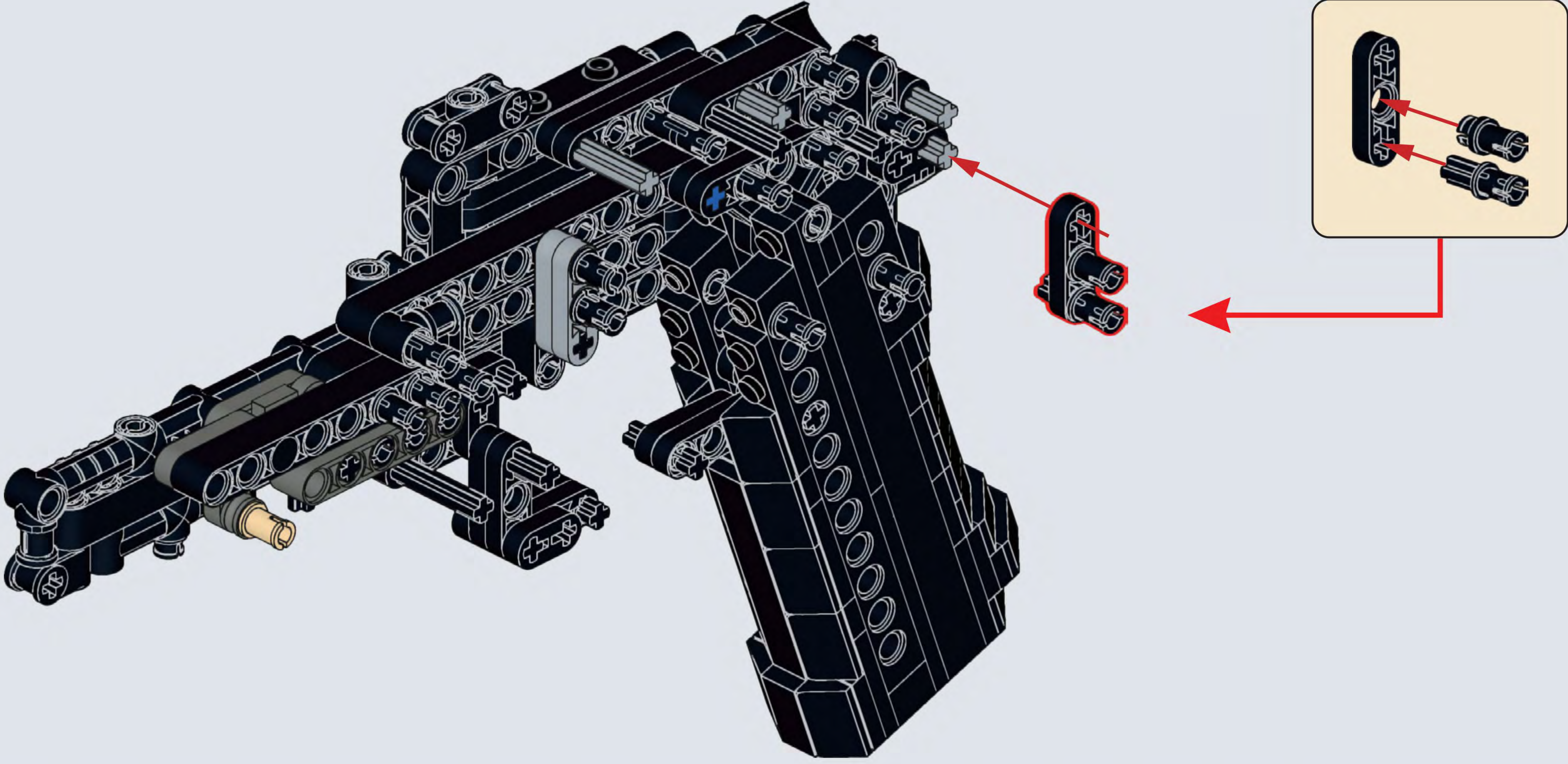


A54

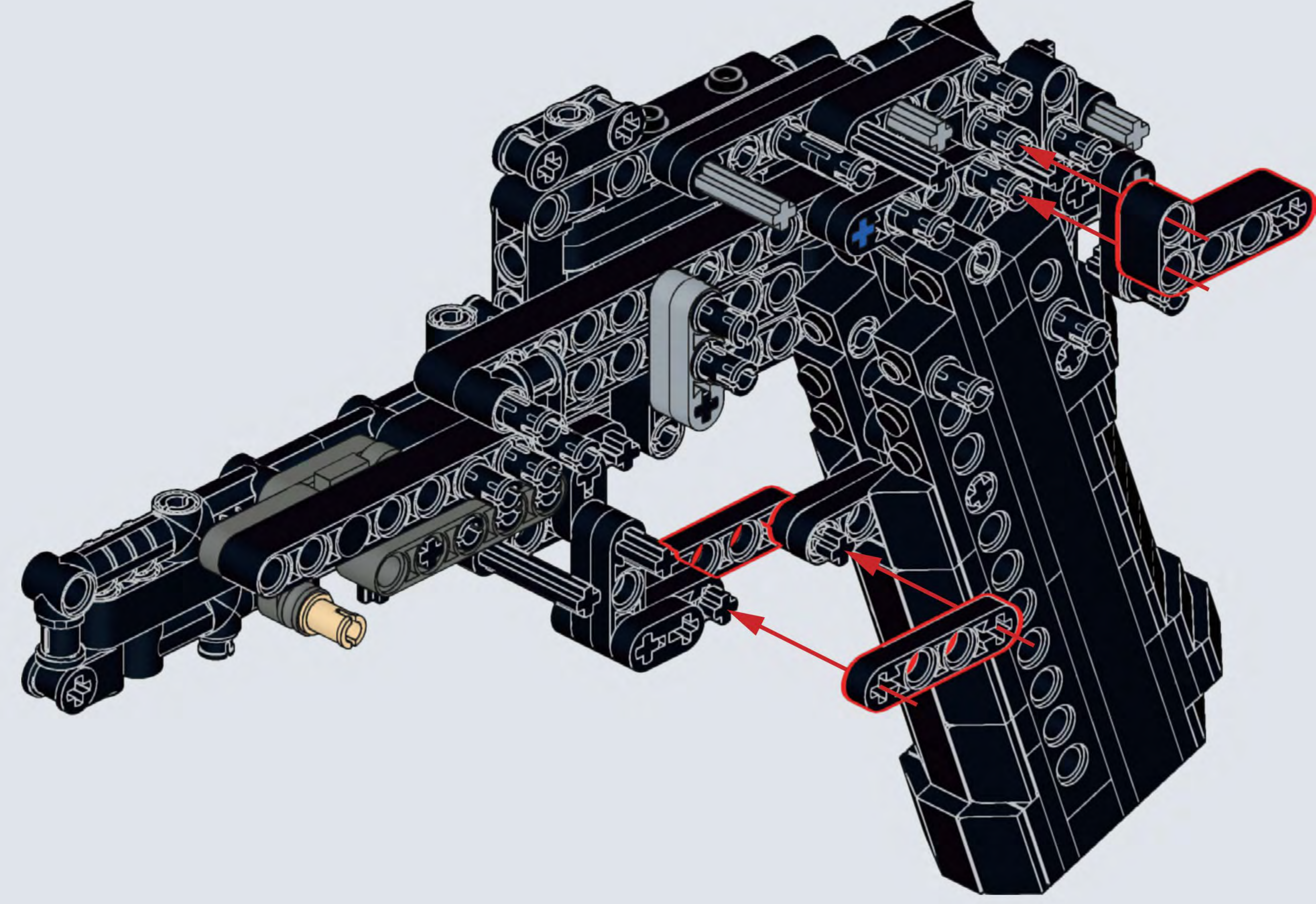


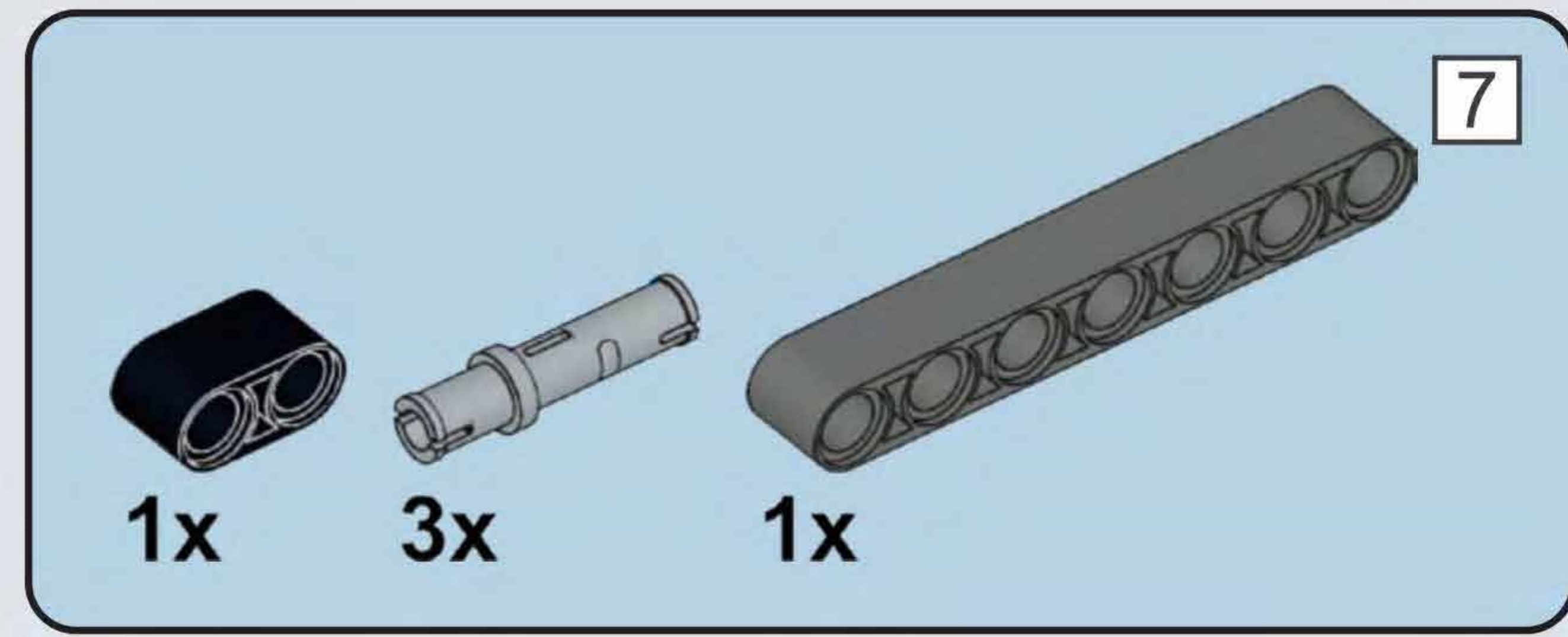


A55

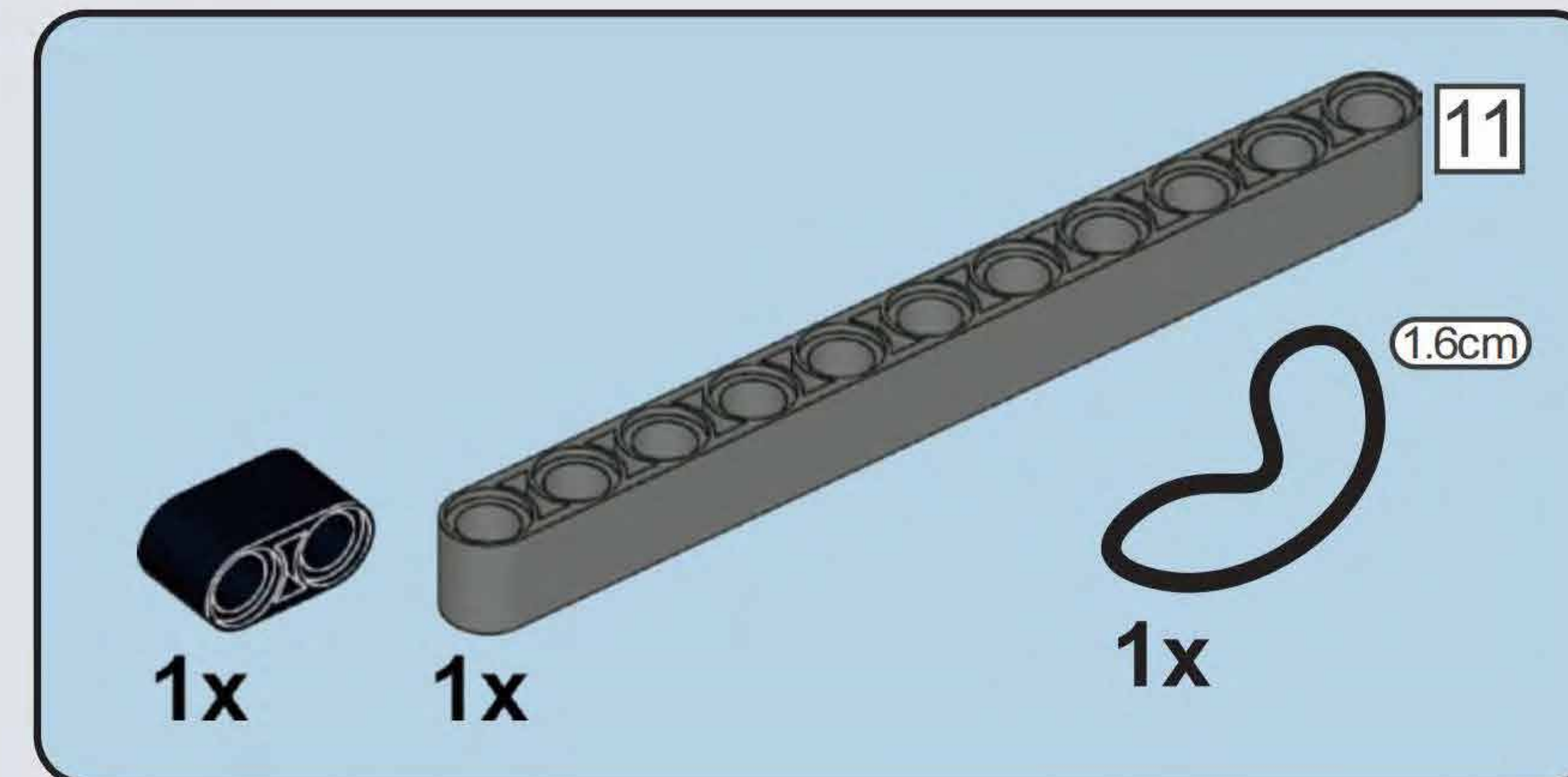
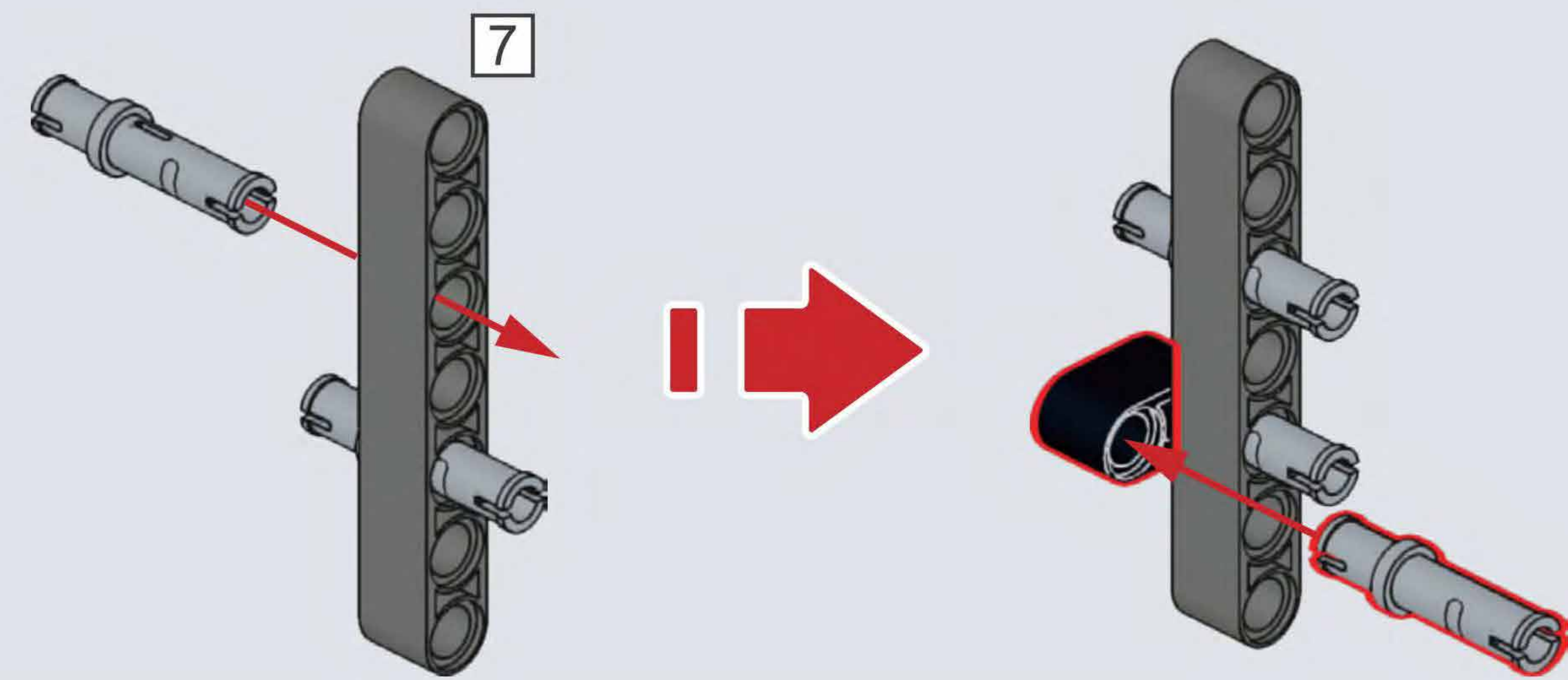


A56

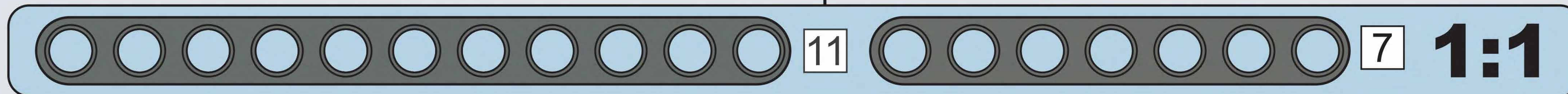
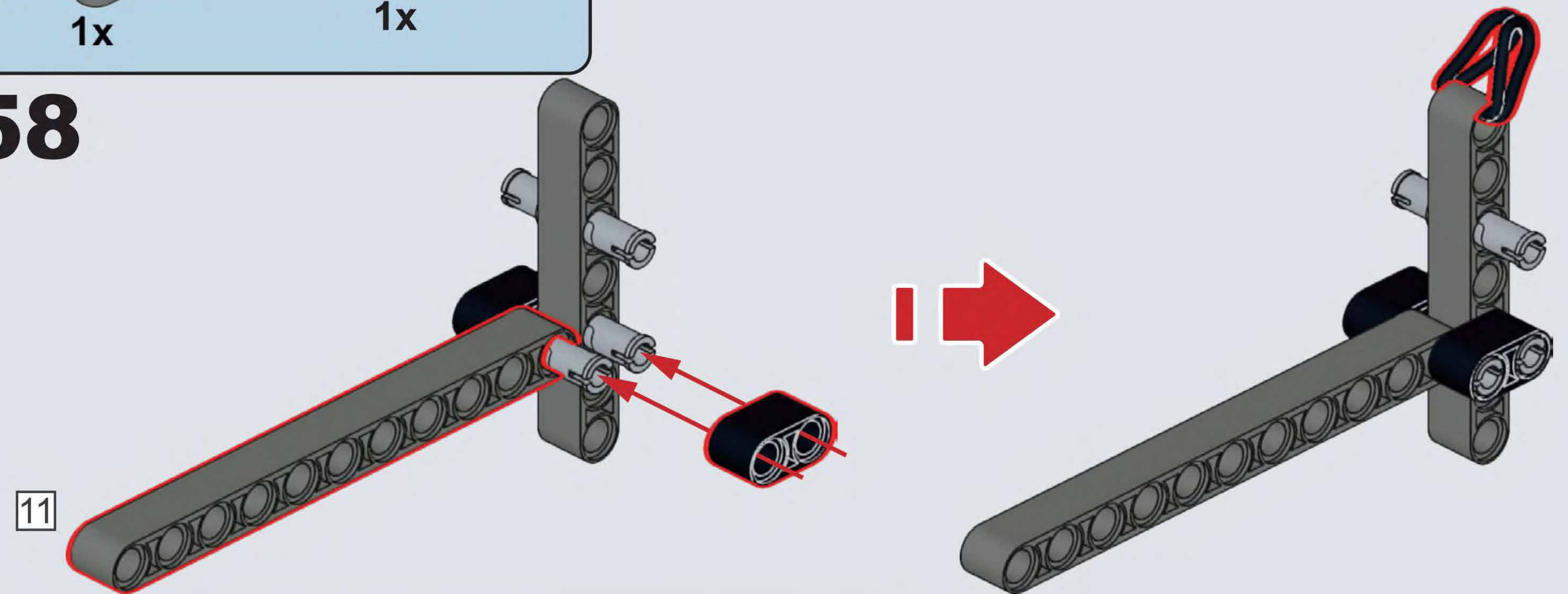




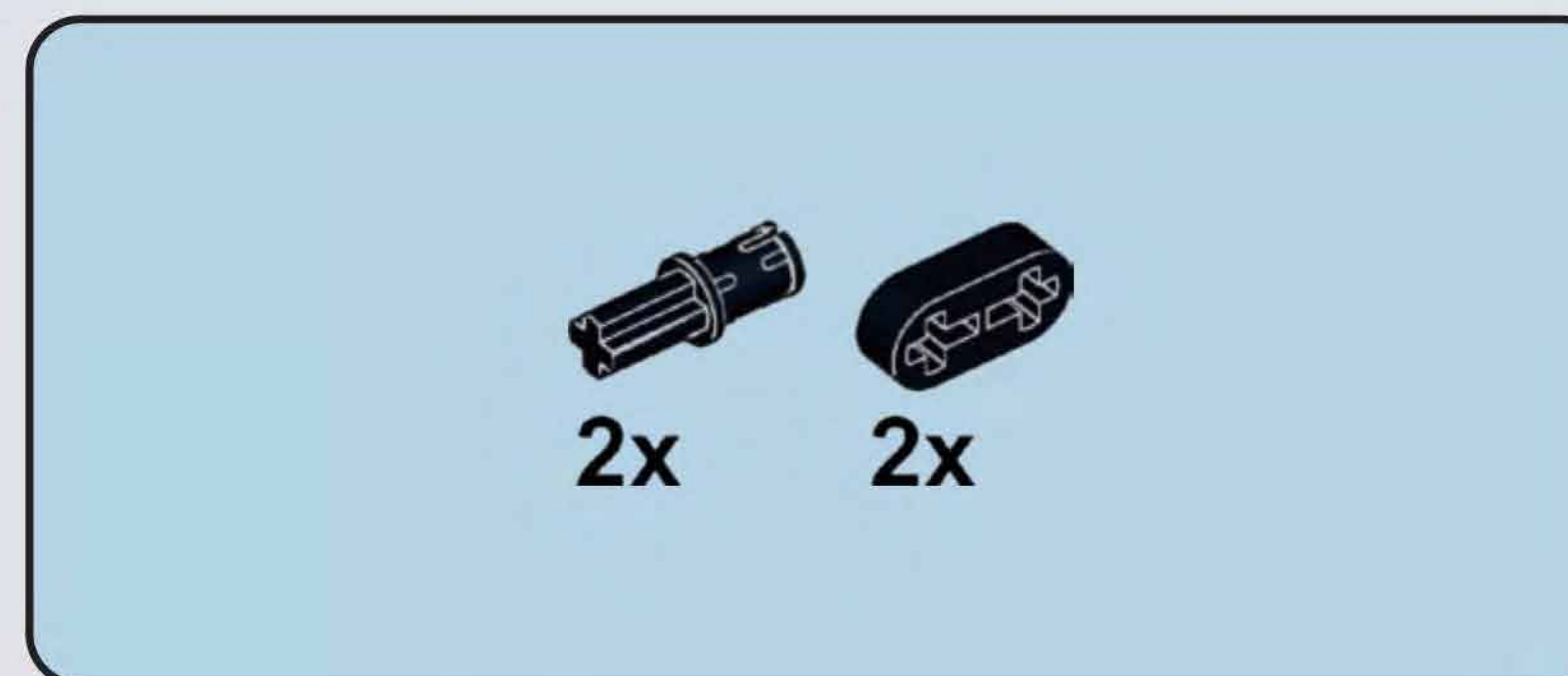
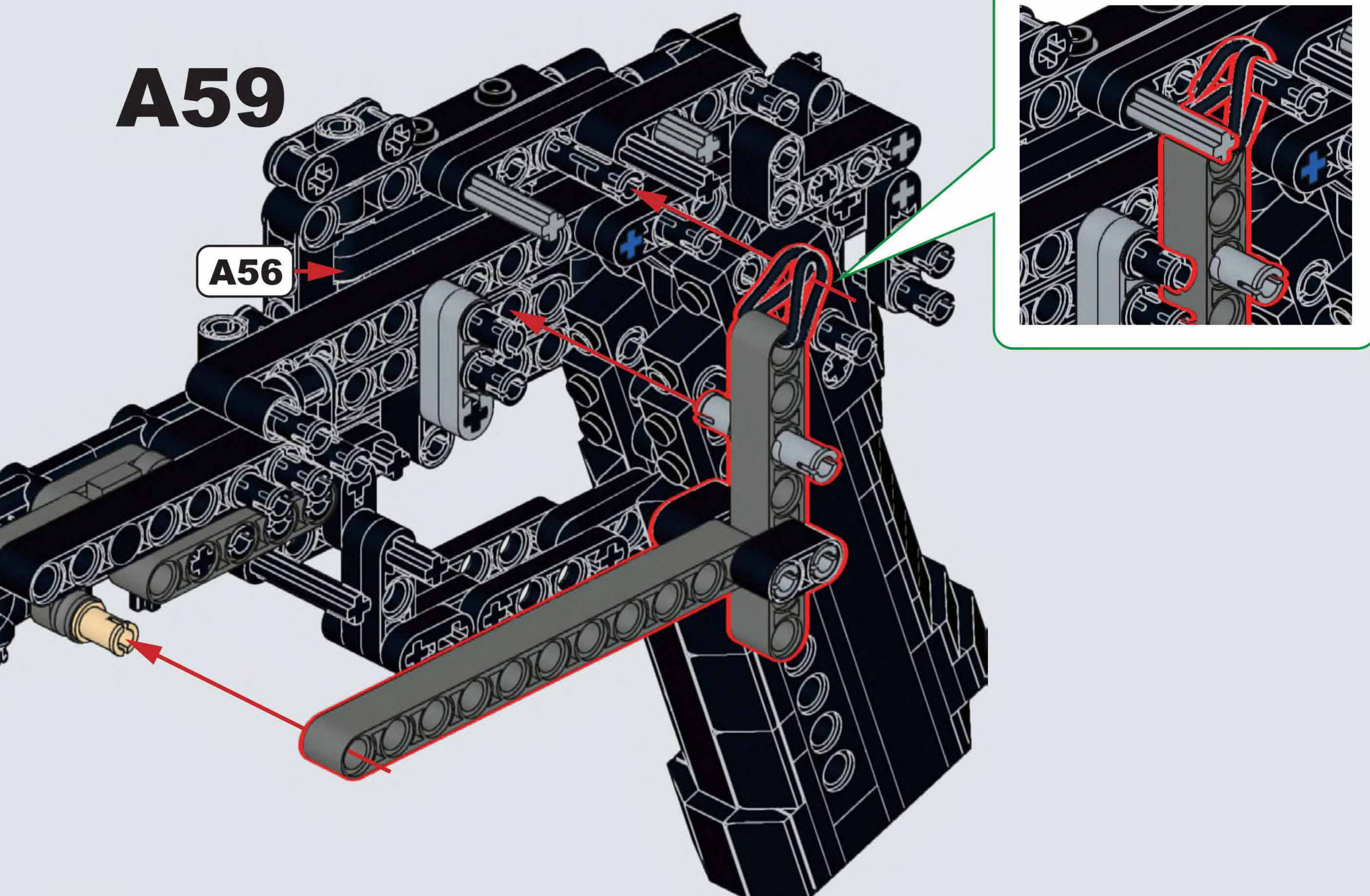
A57



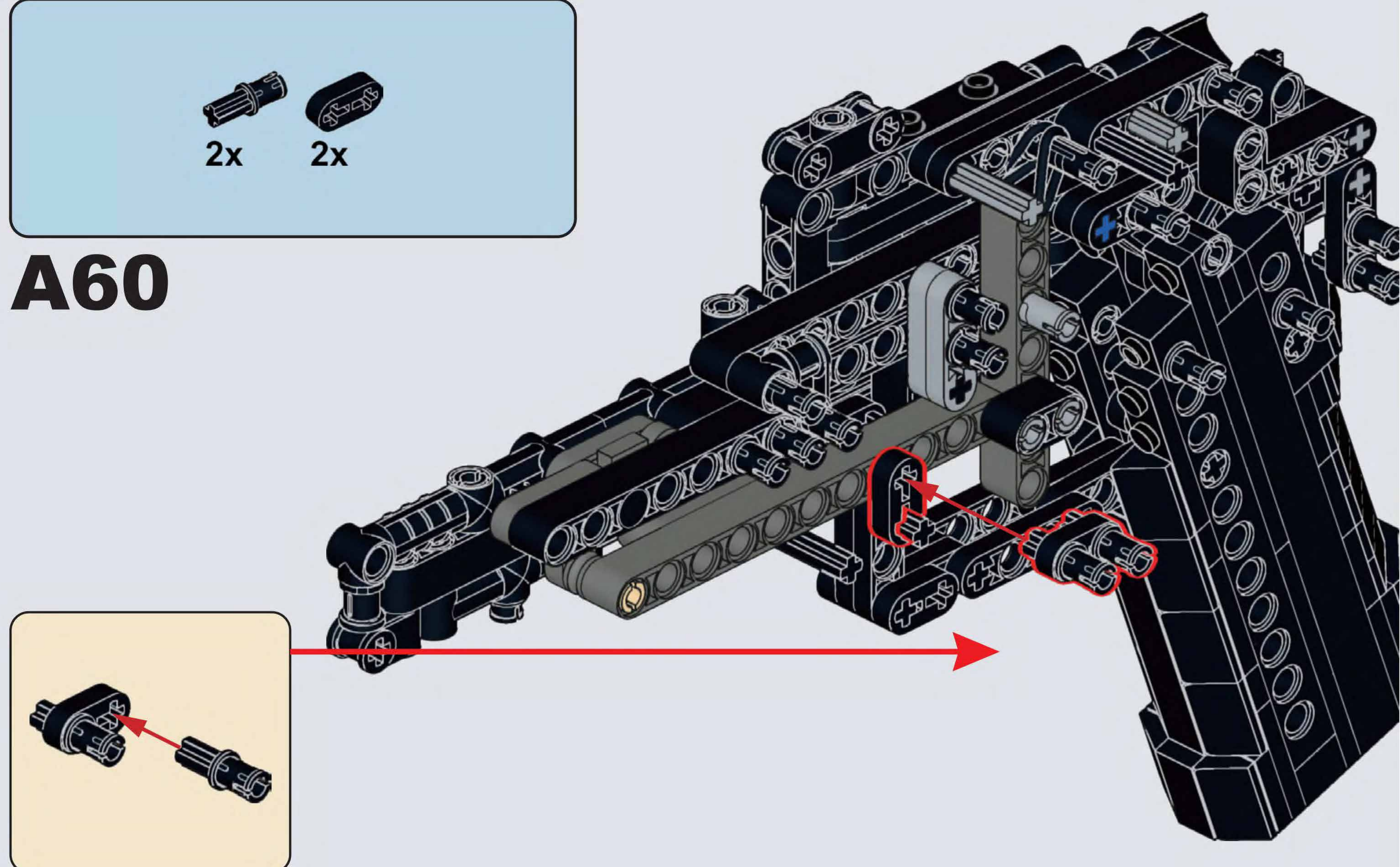
A58

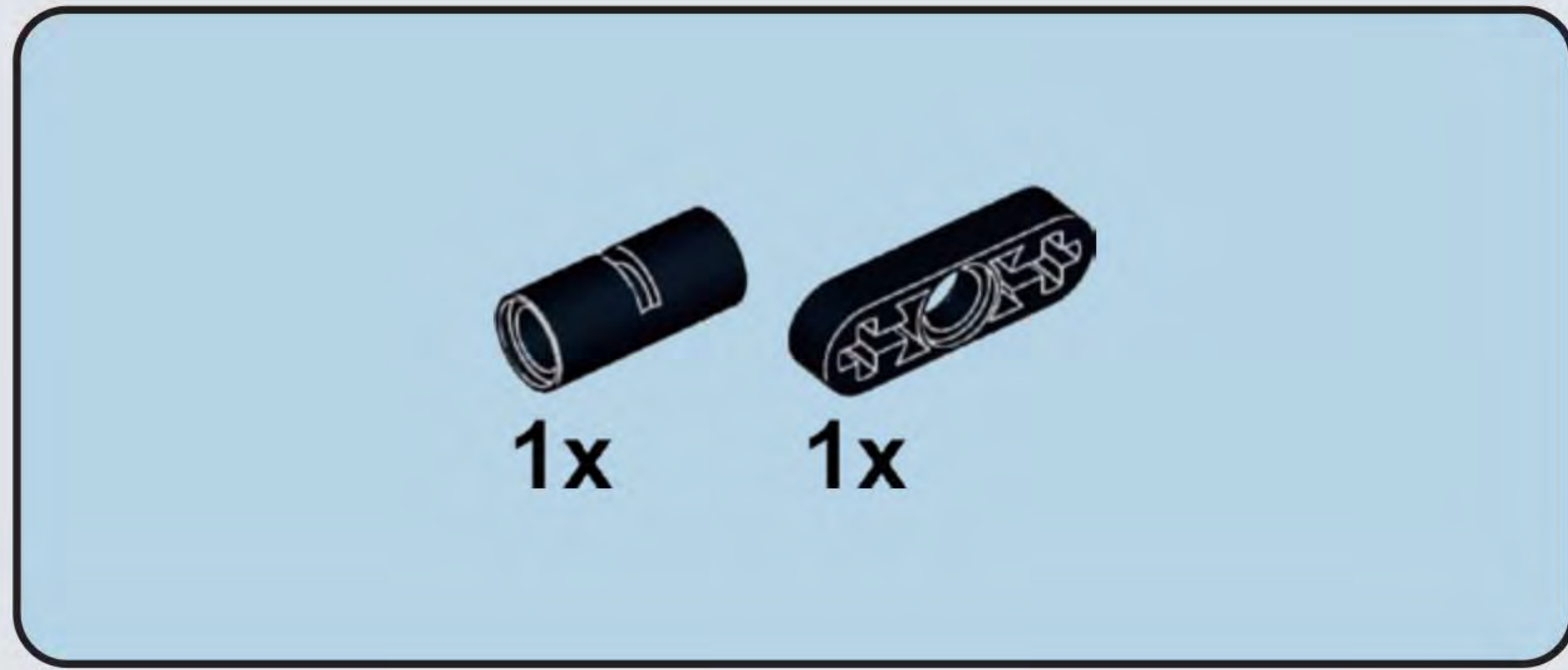


A59

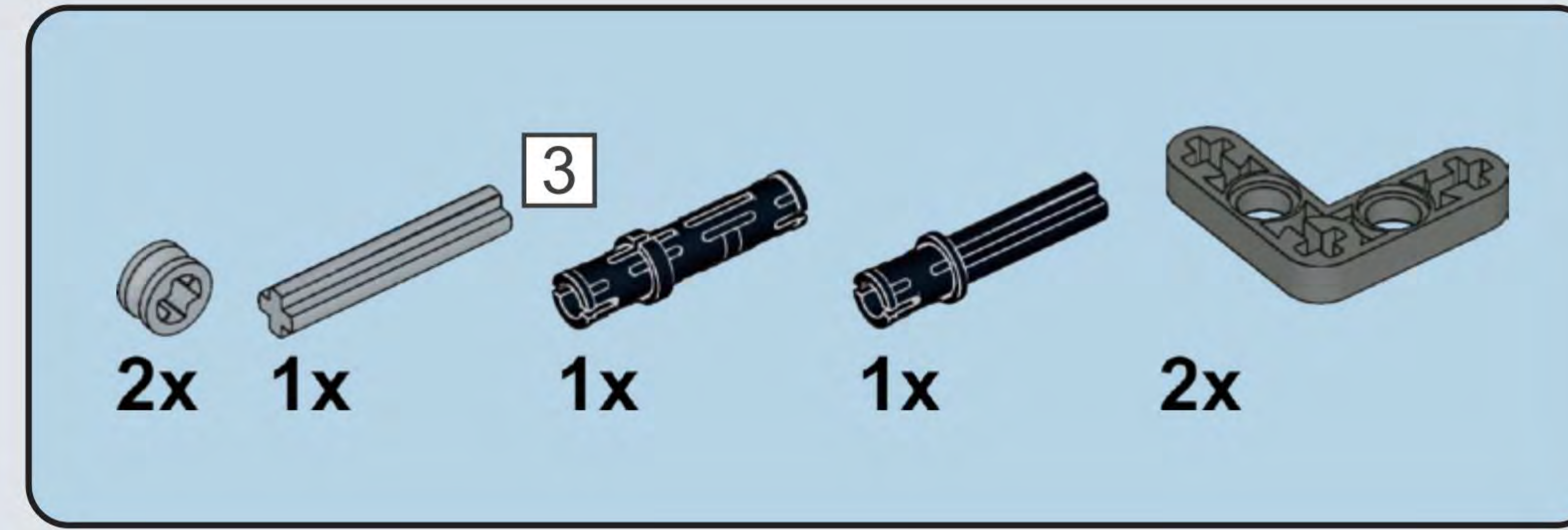
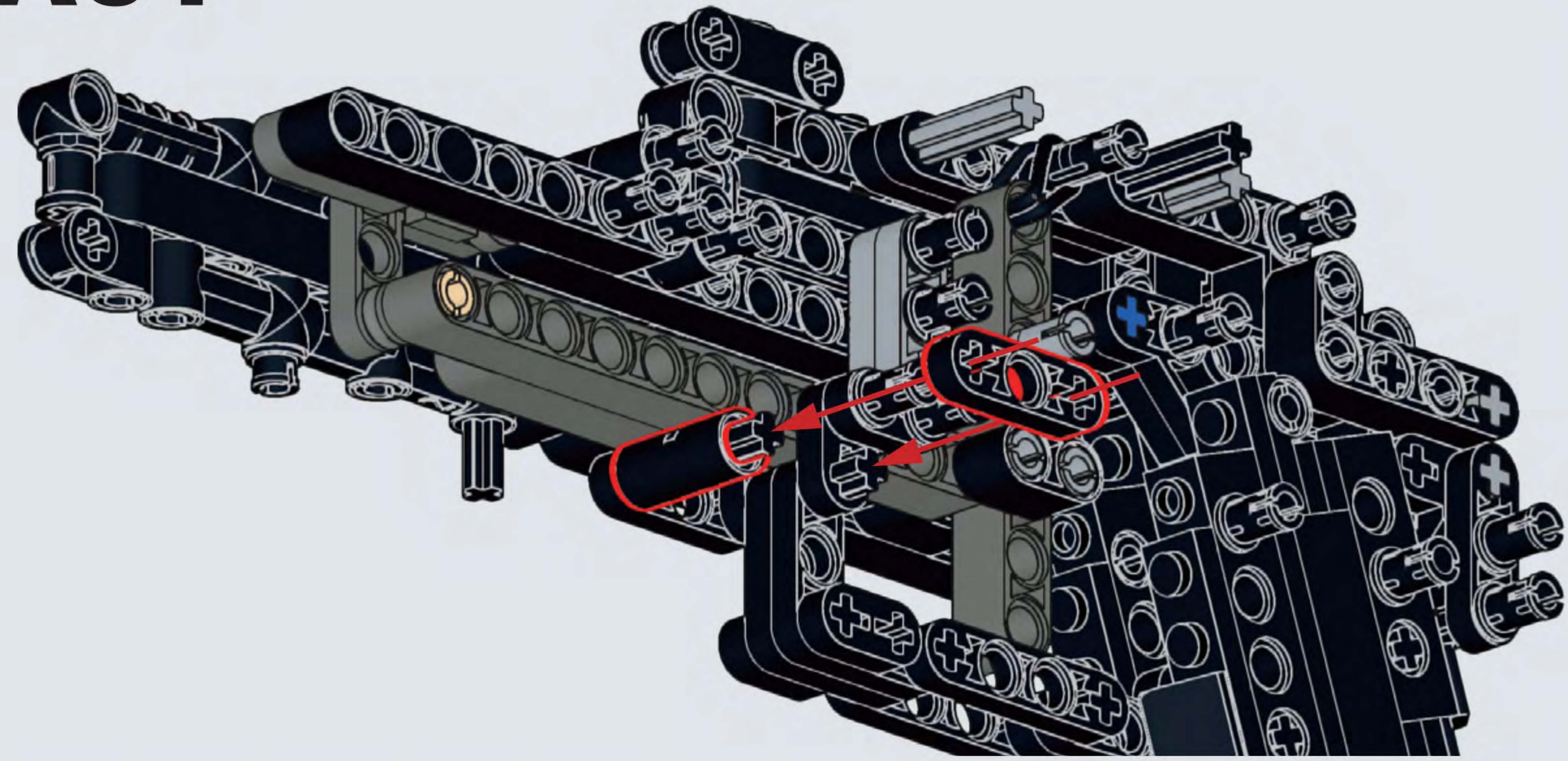


A60

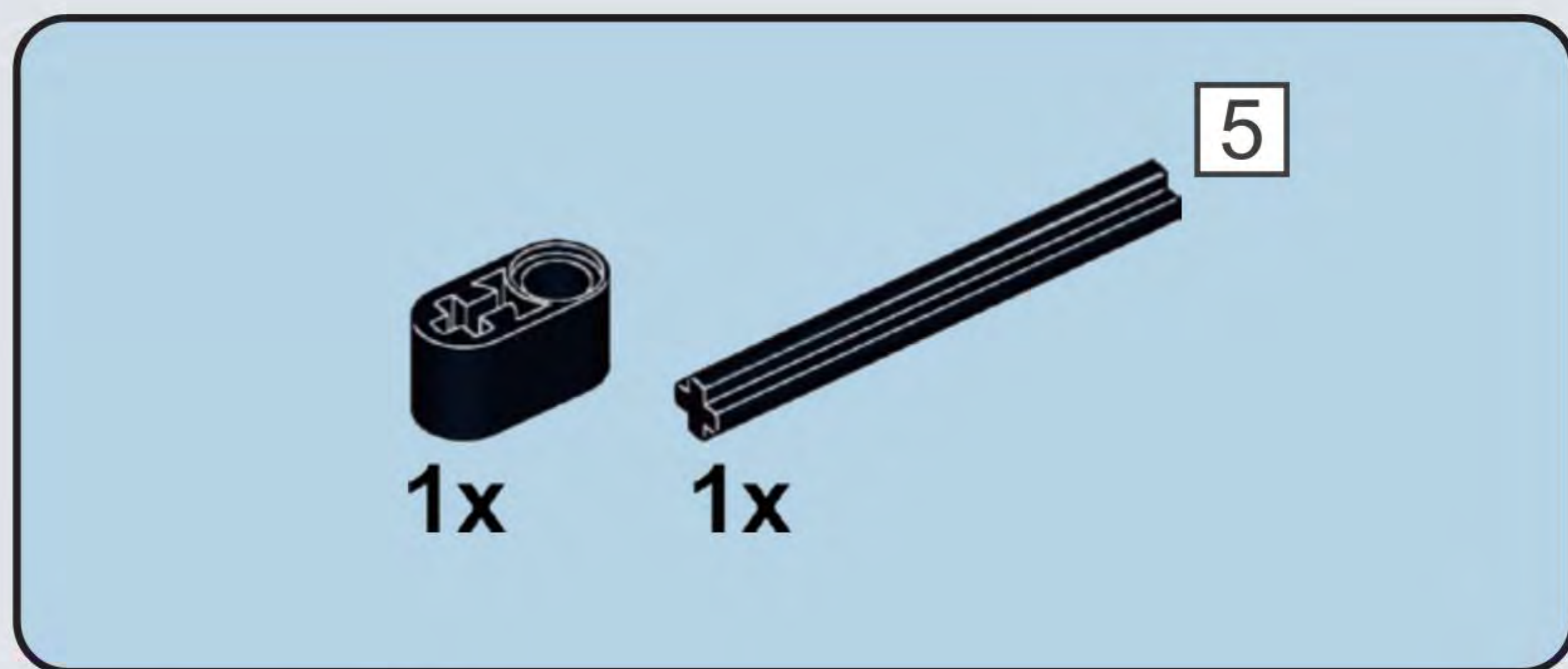
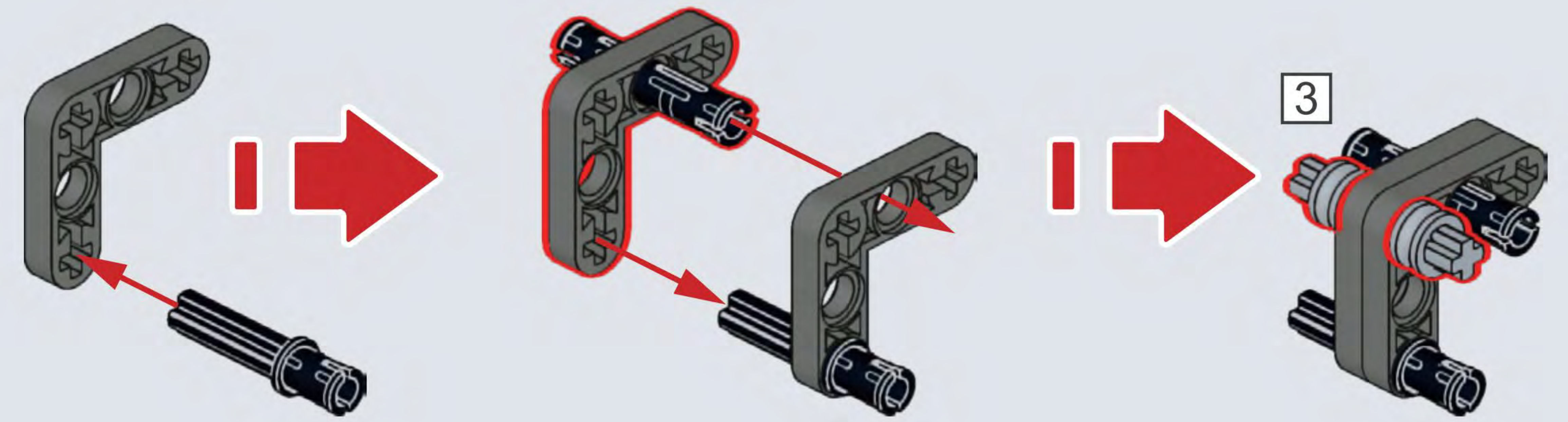




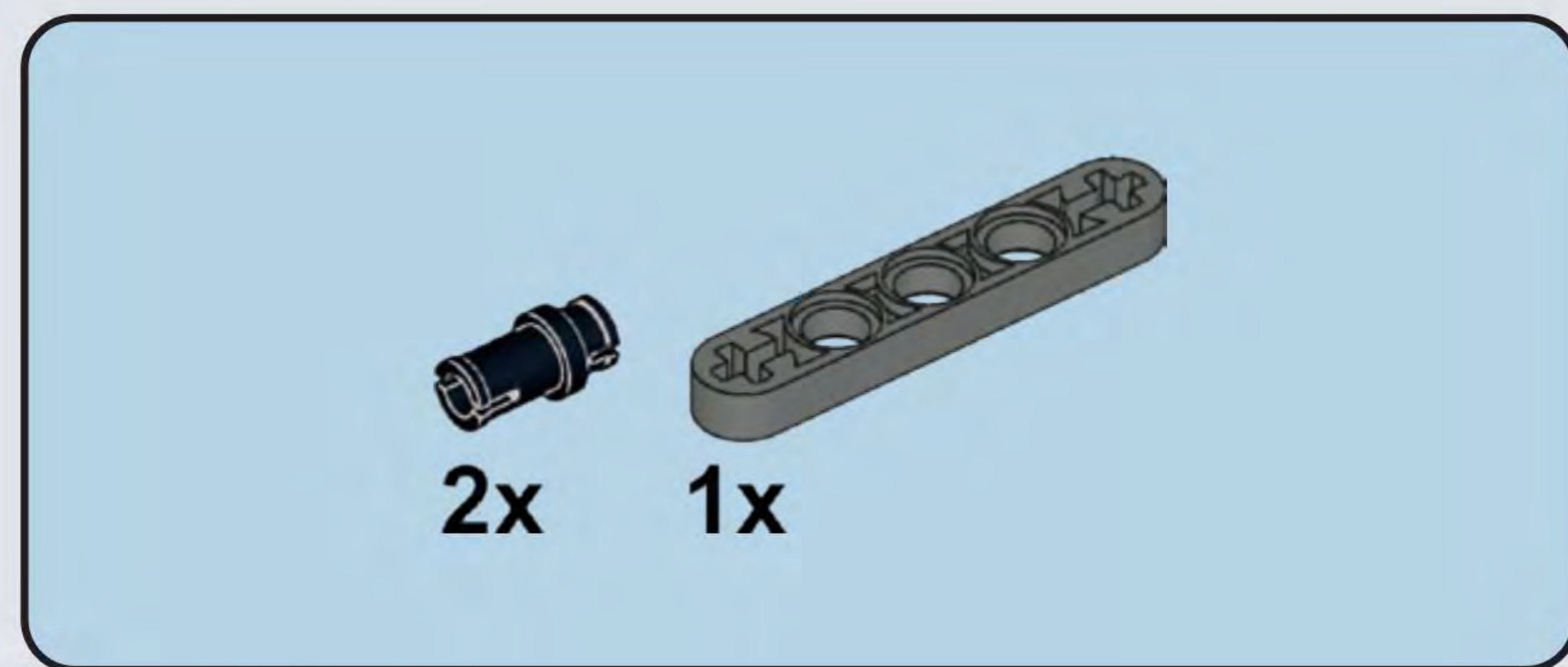
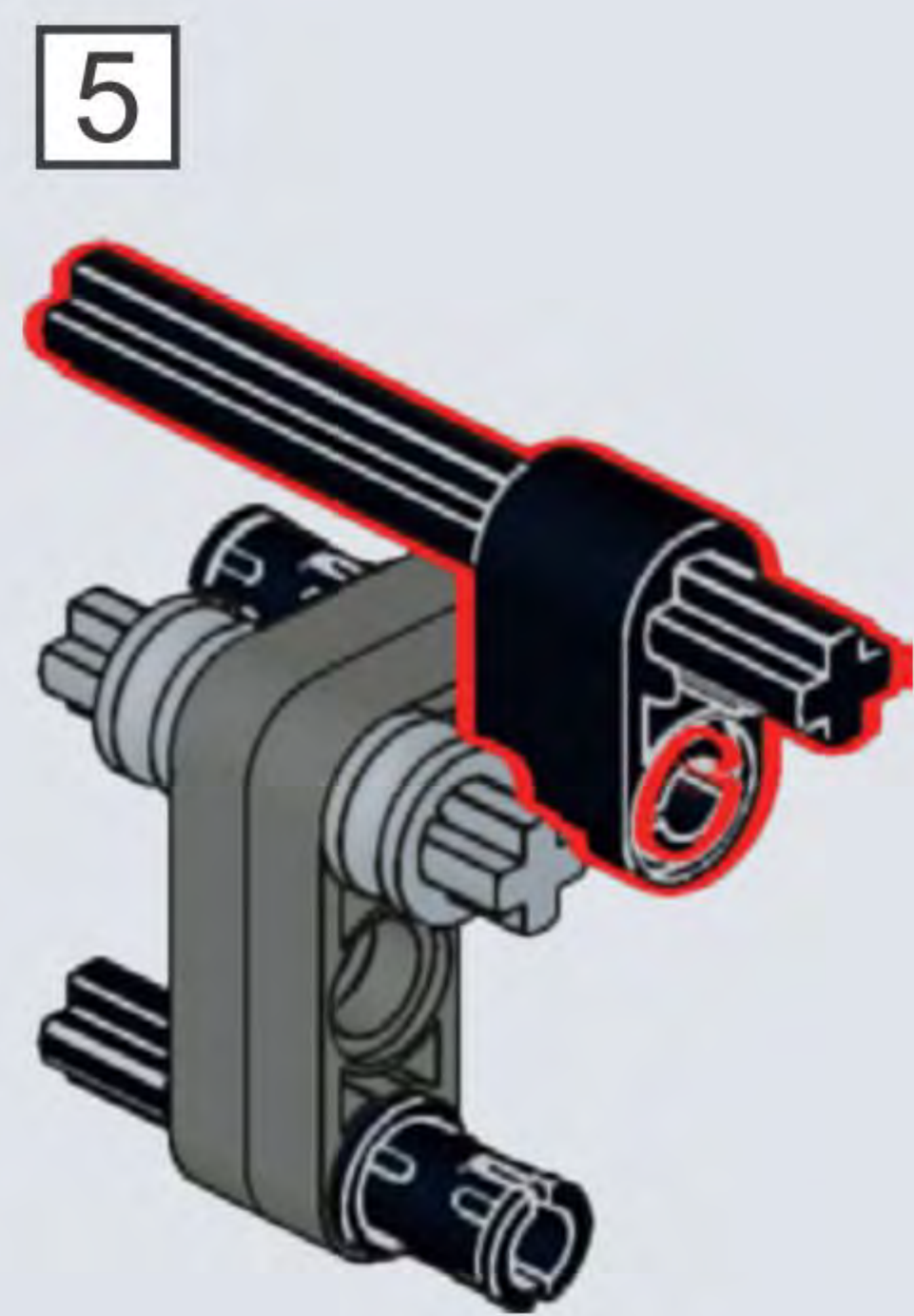
A61



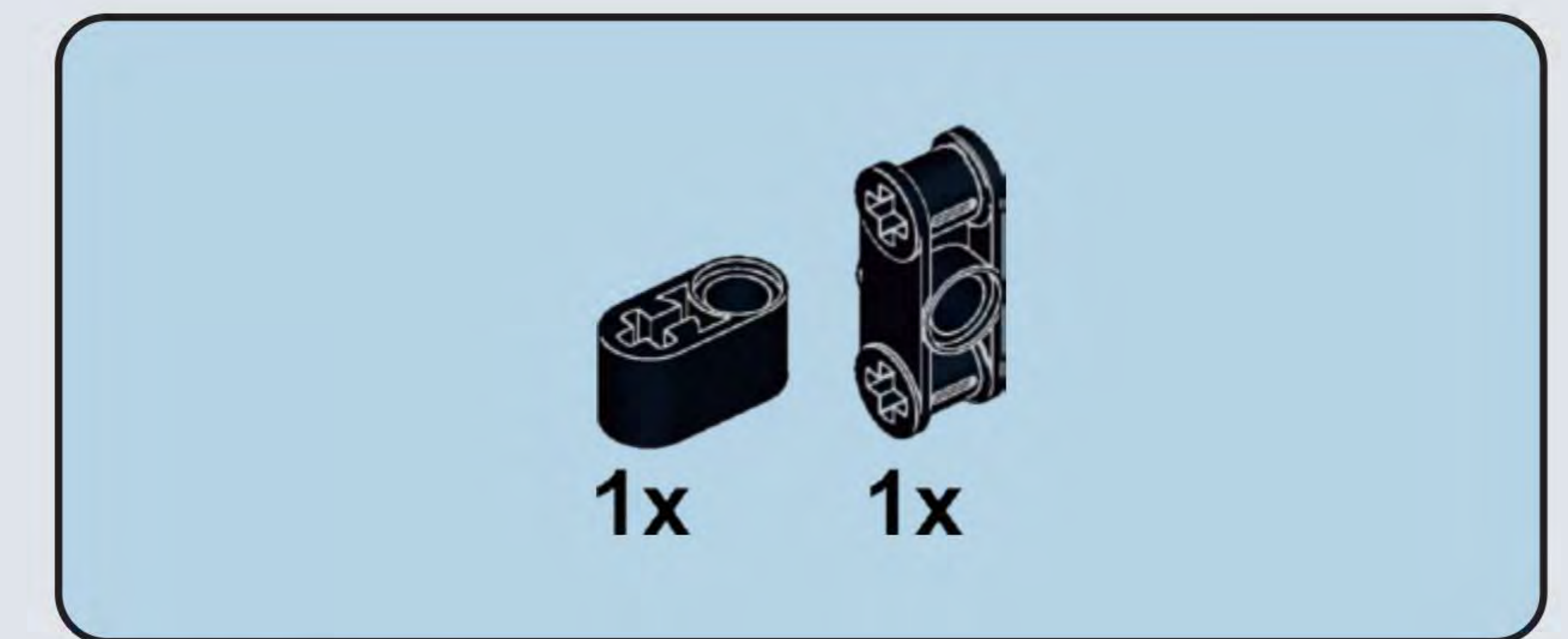
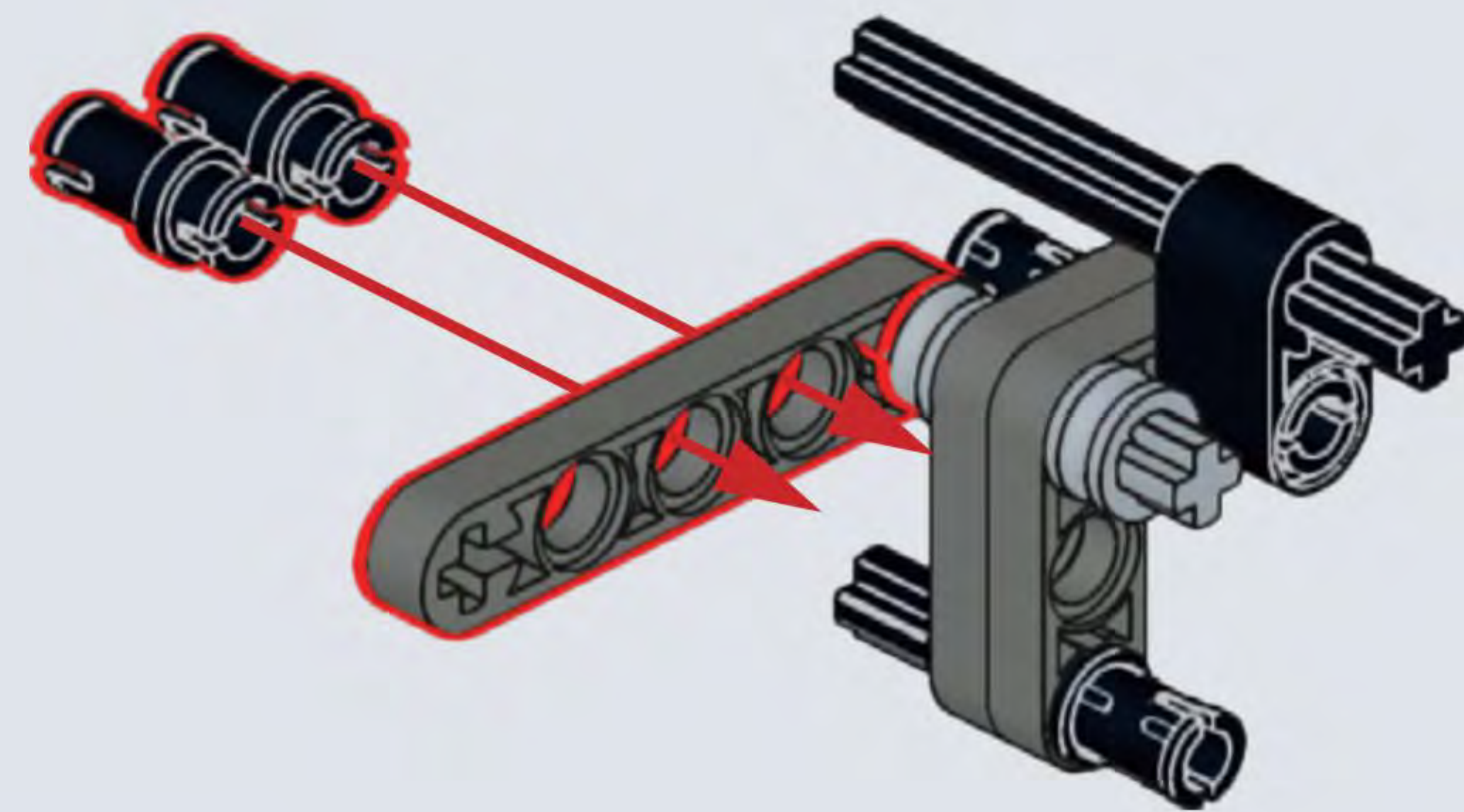
A62



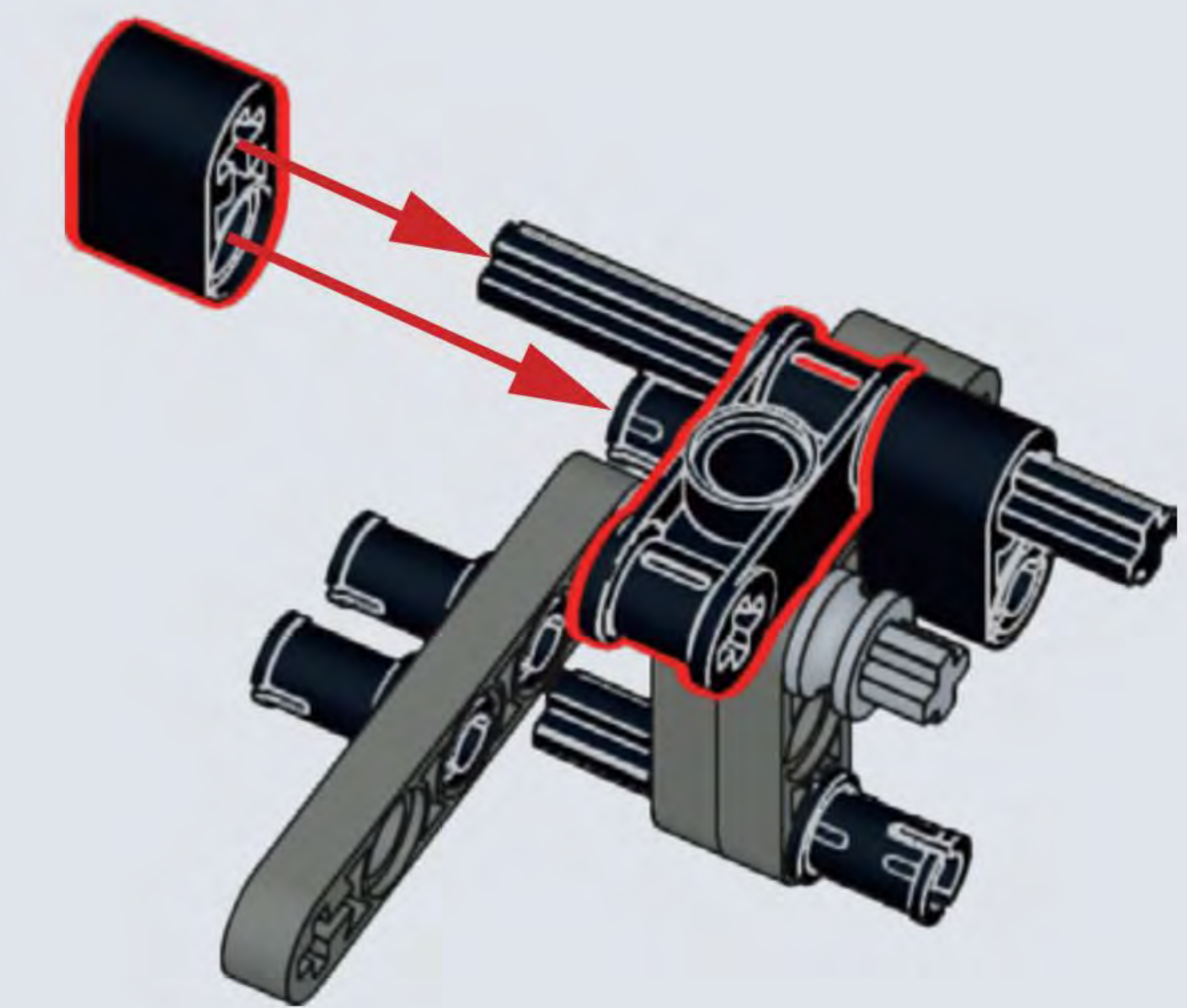
A63



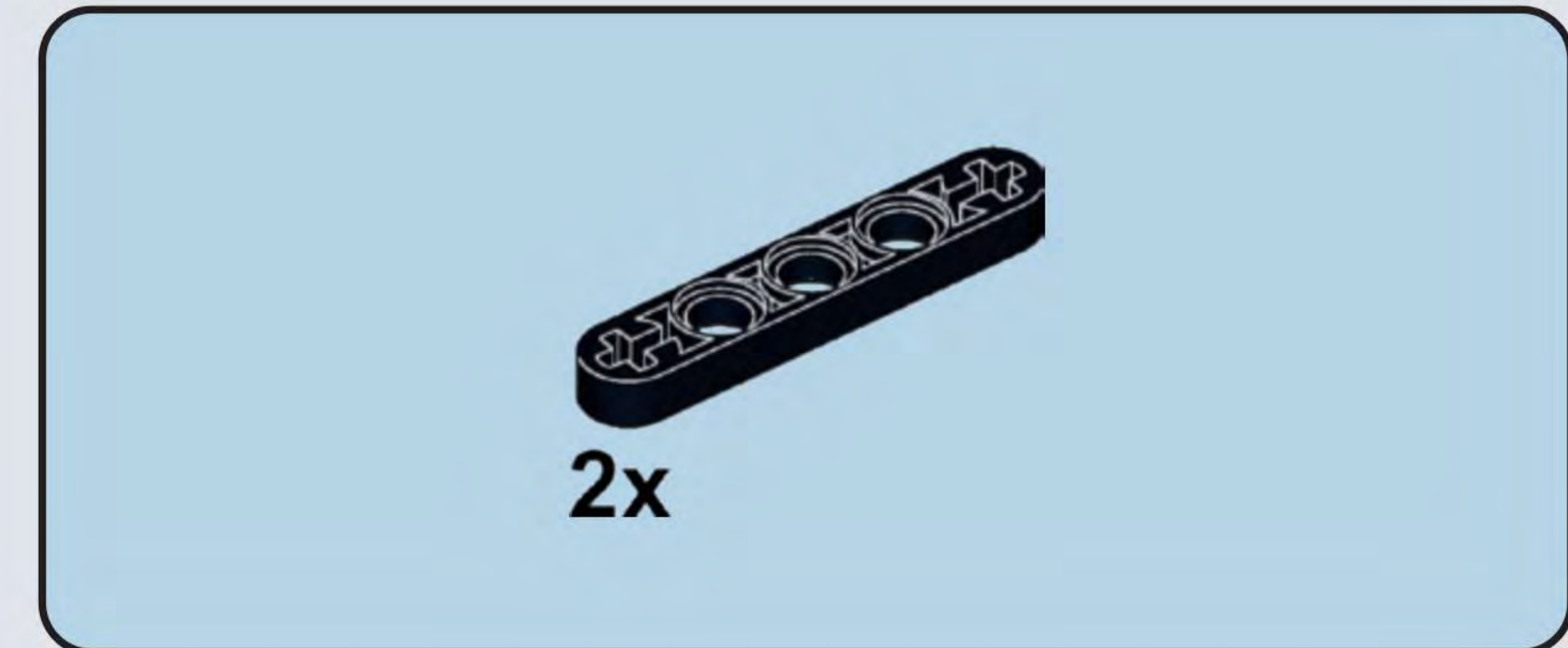
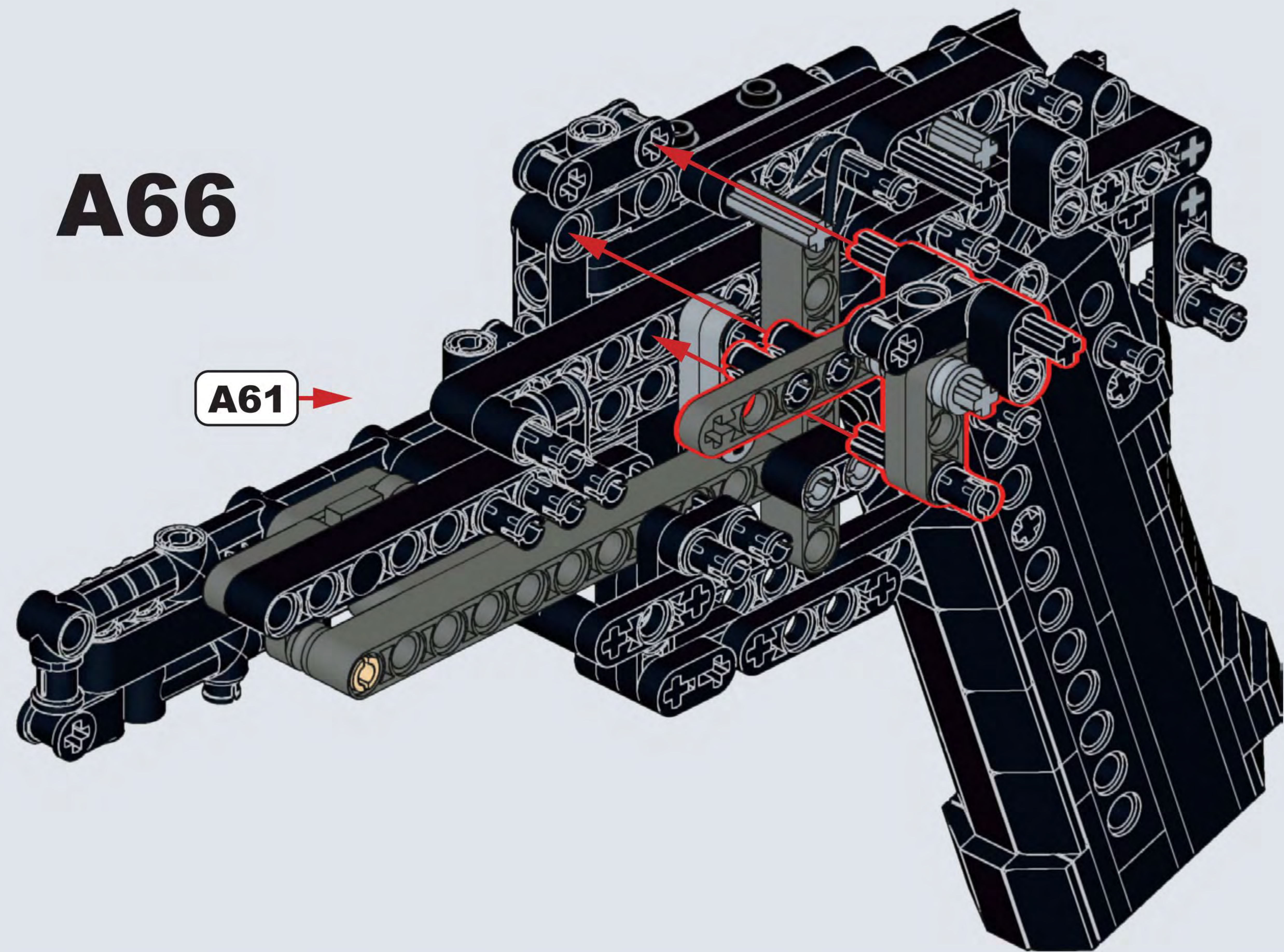
A64



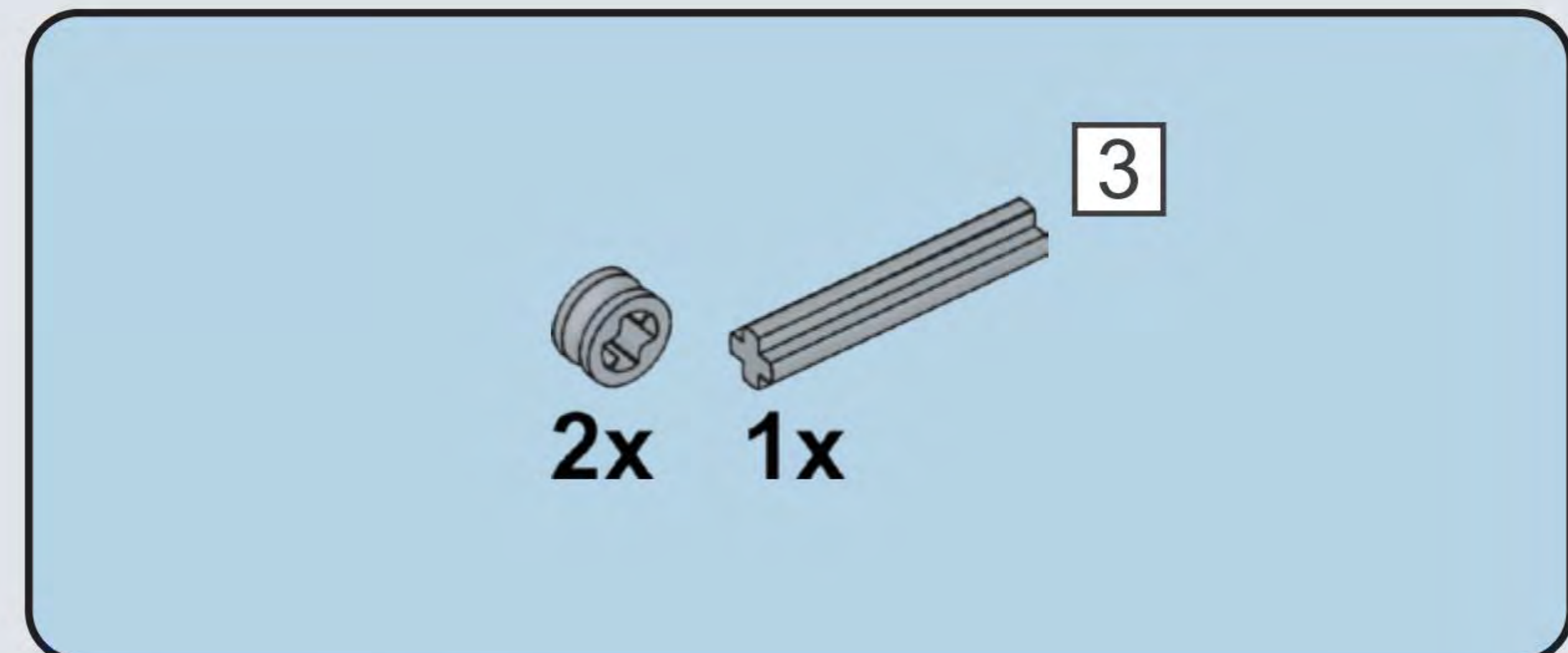
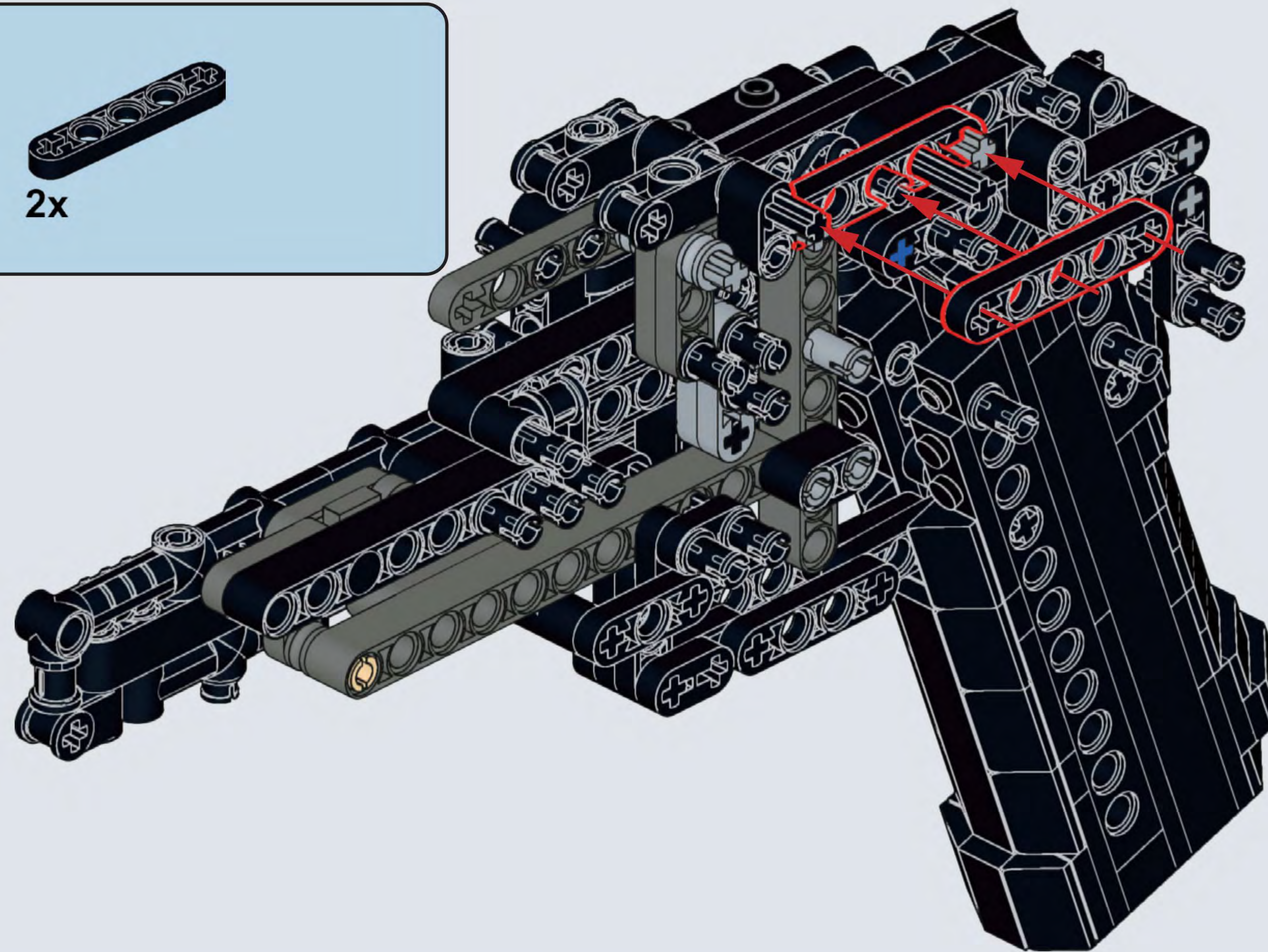
A65



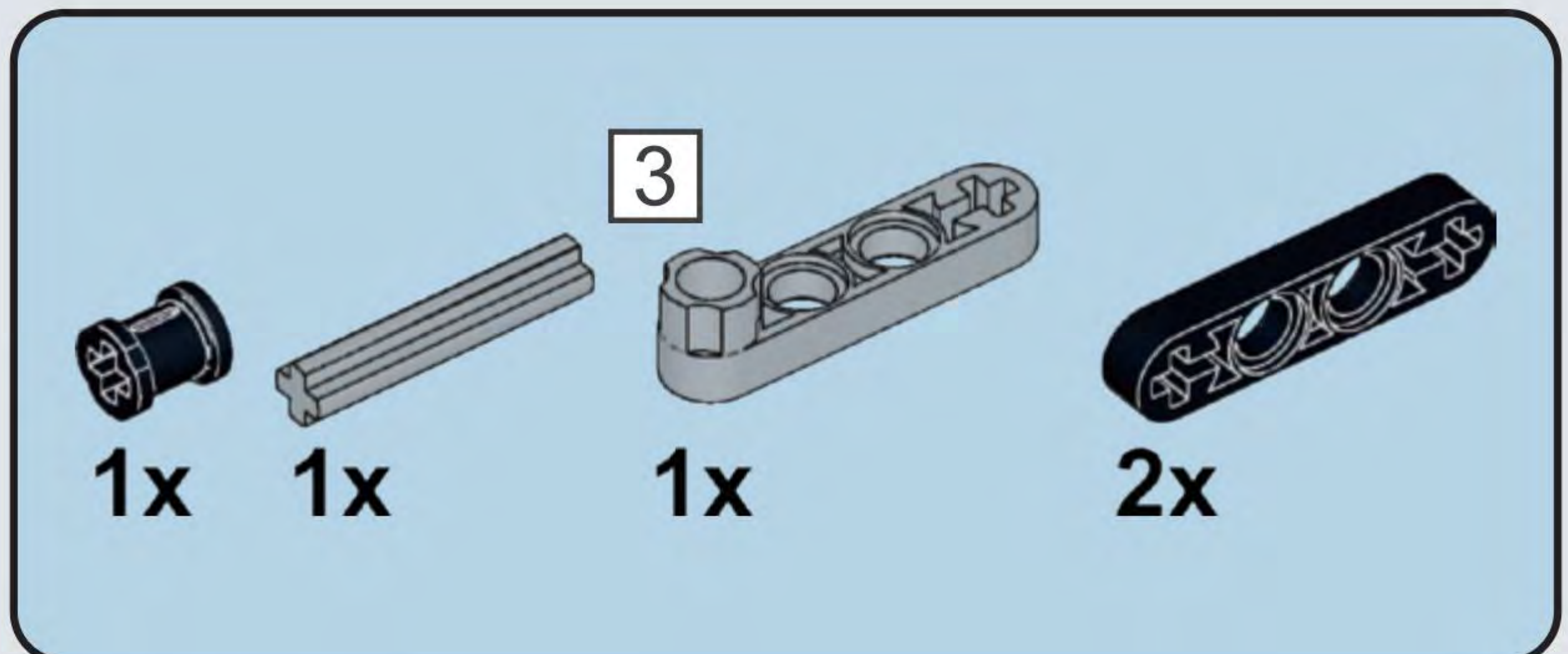
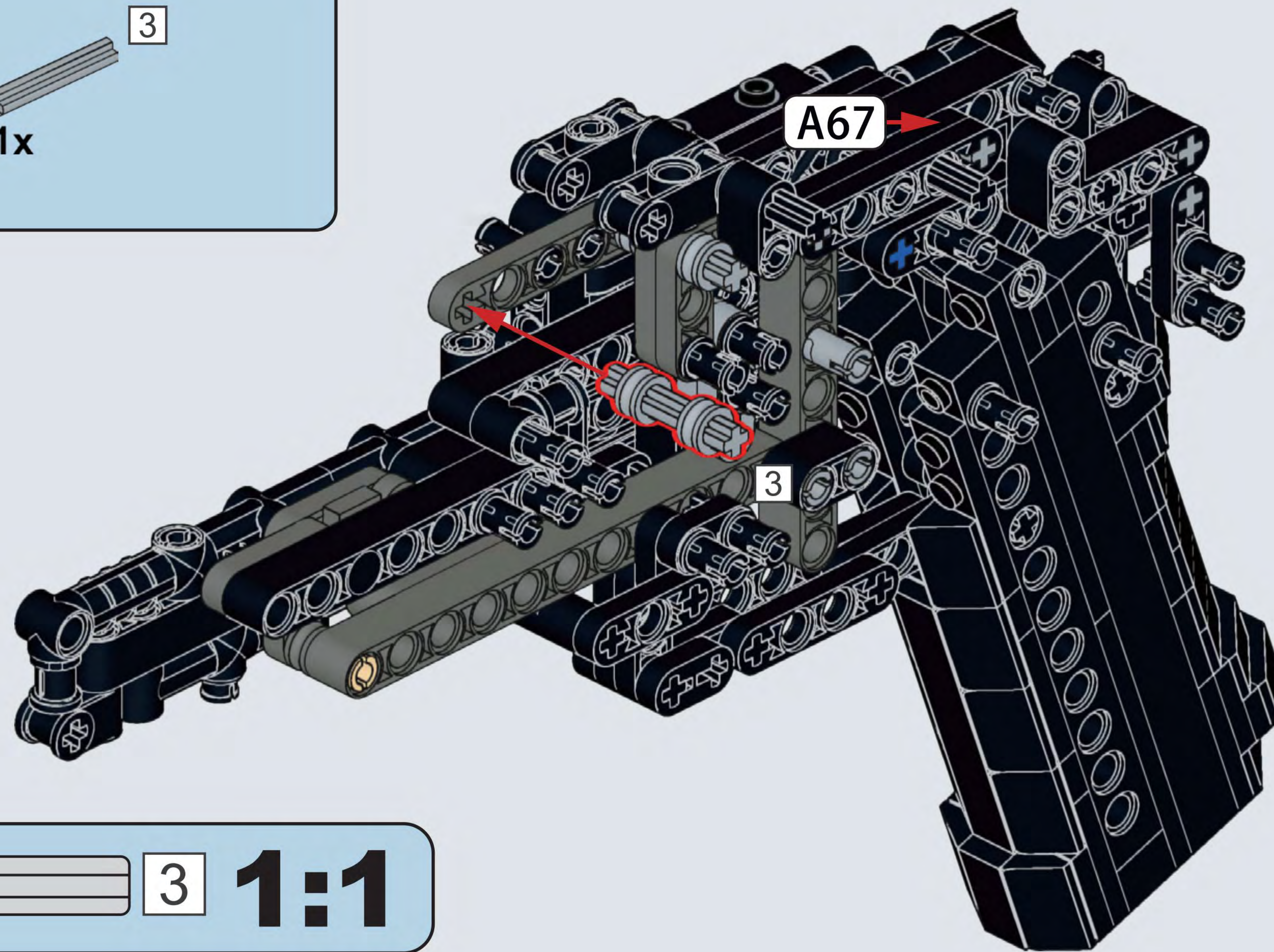
A66



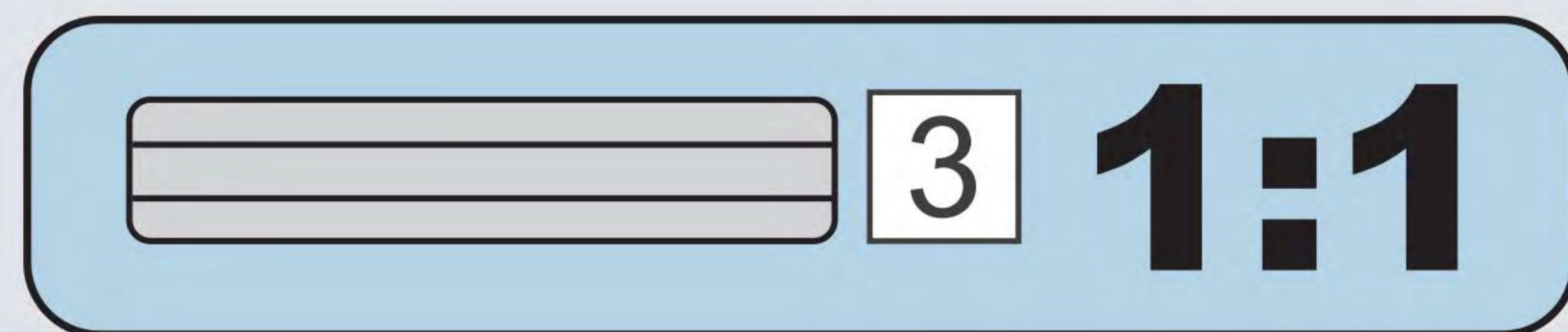
A67

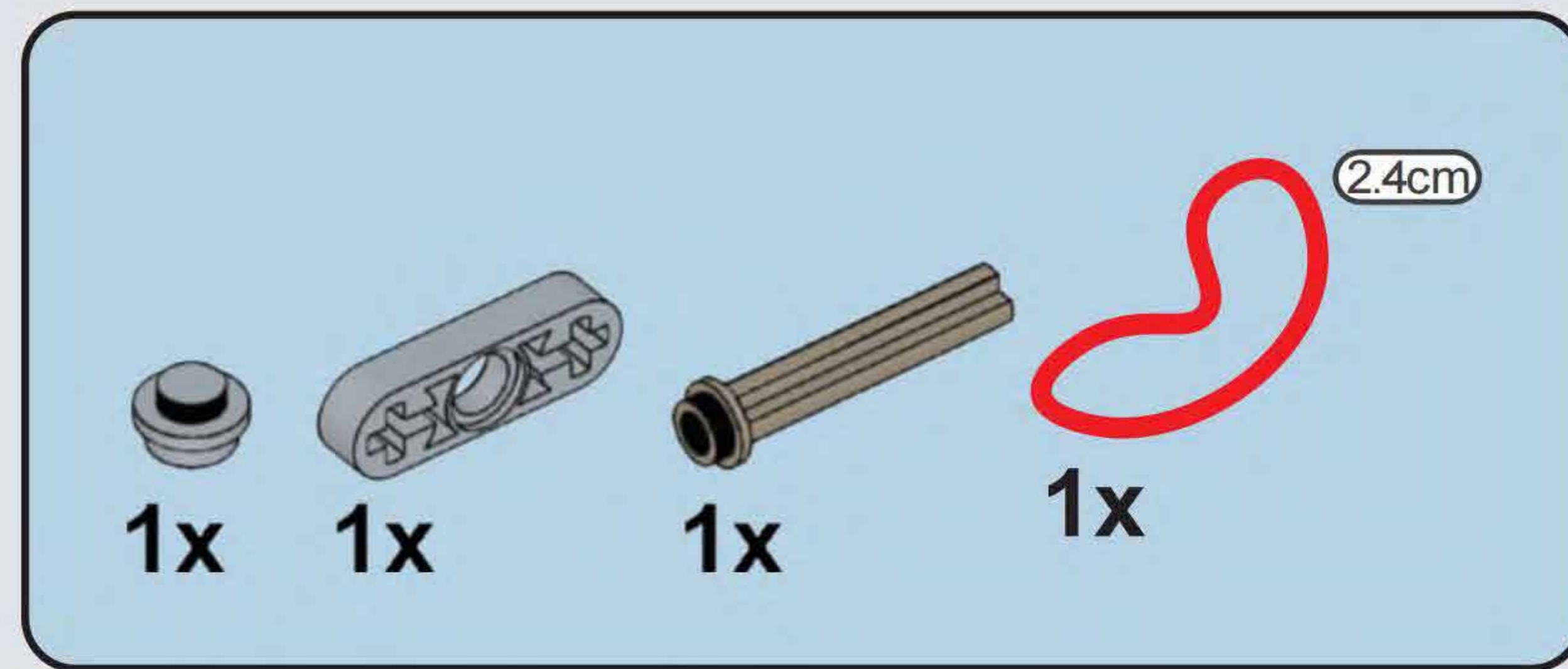


A68

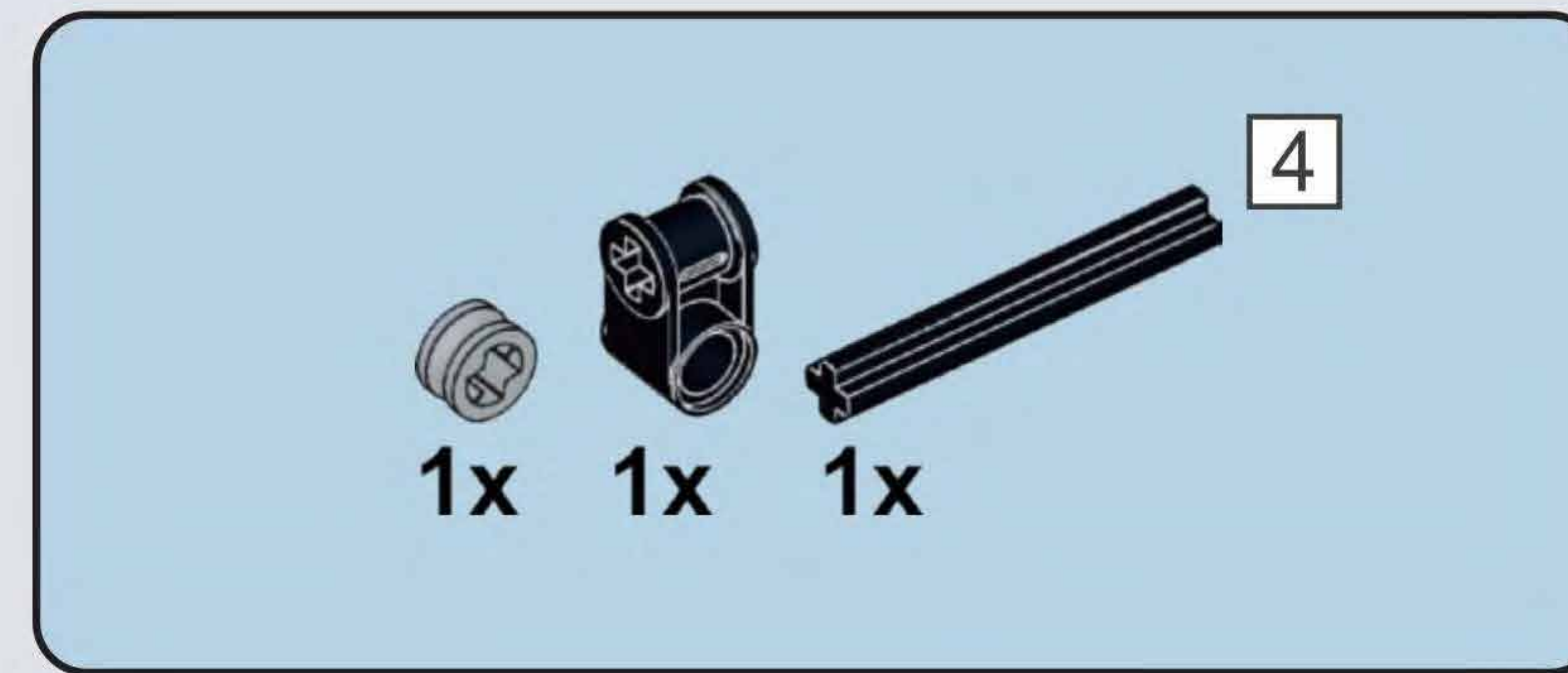
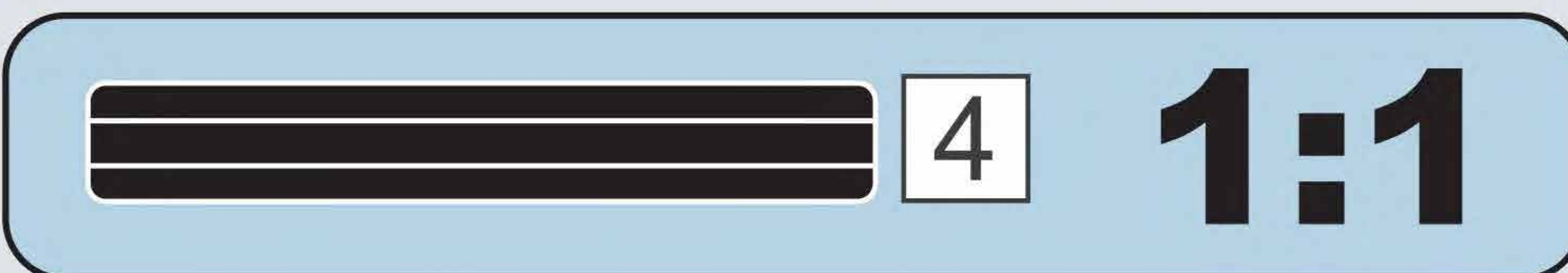
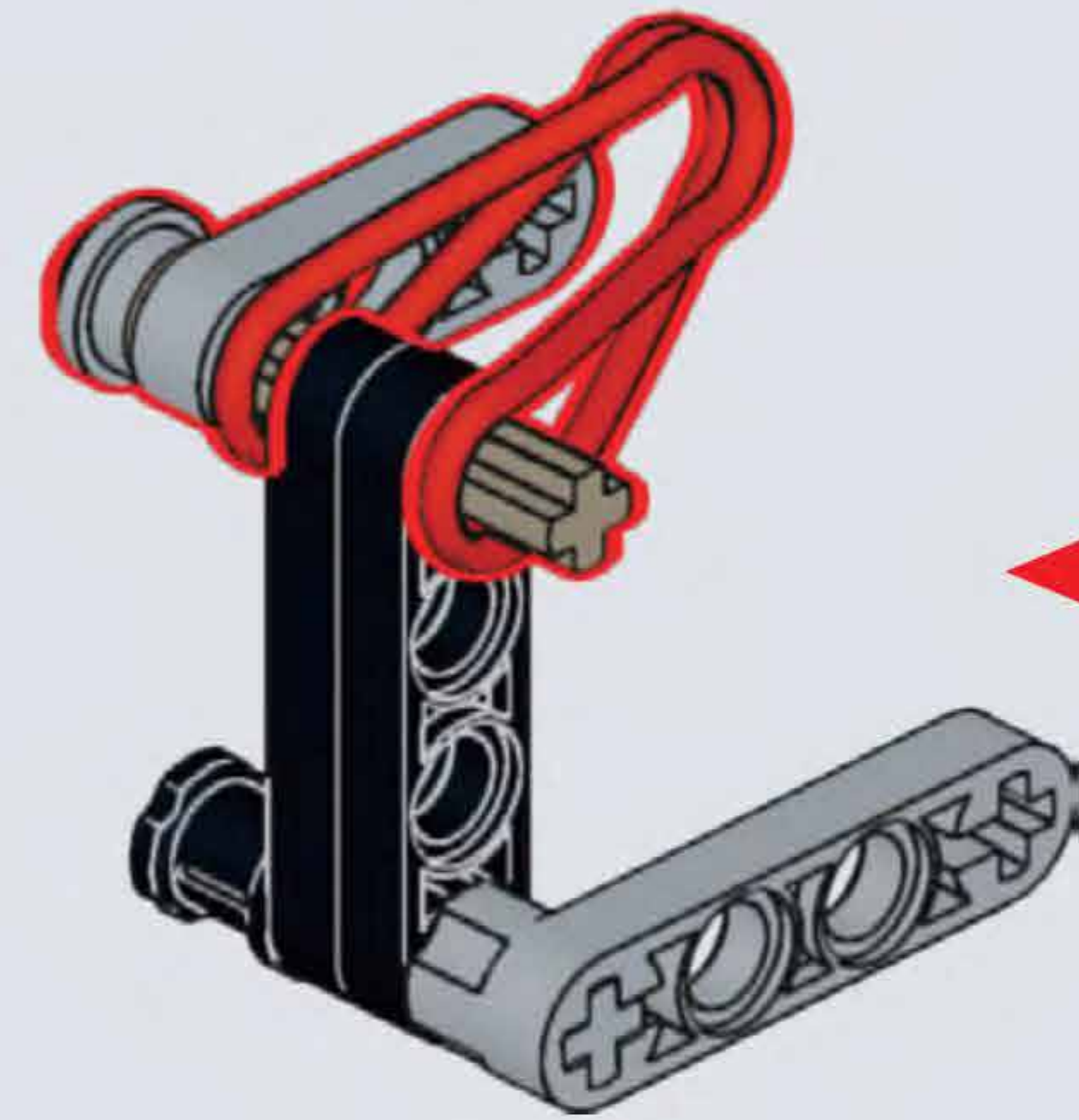
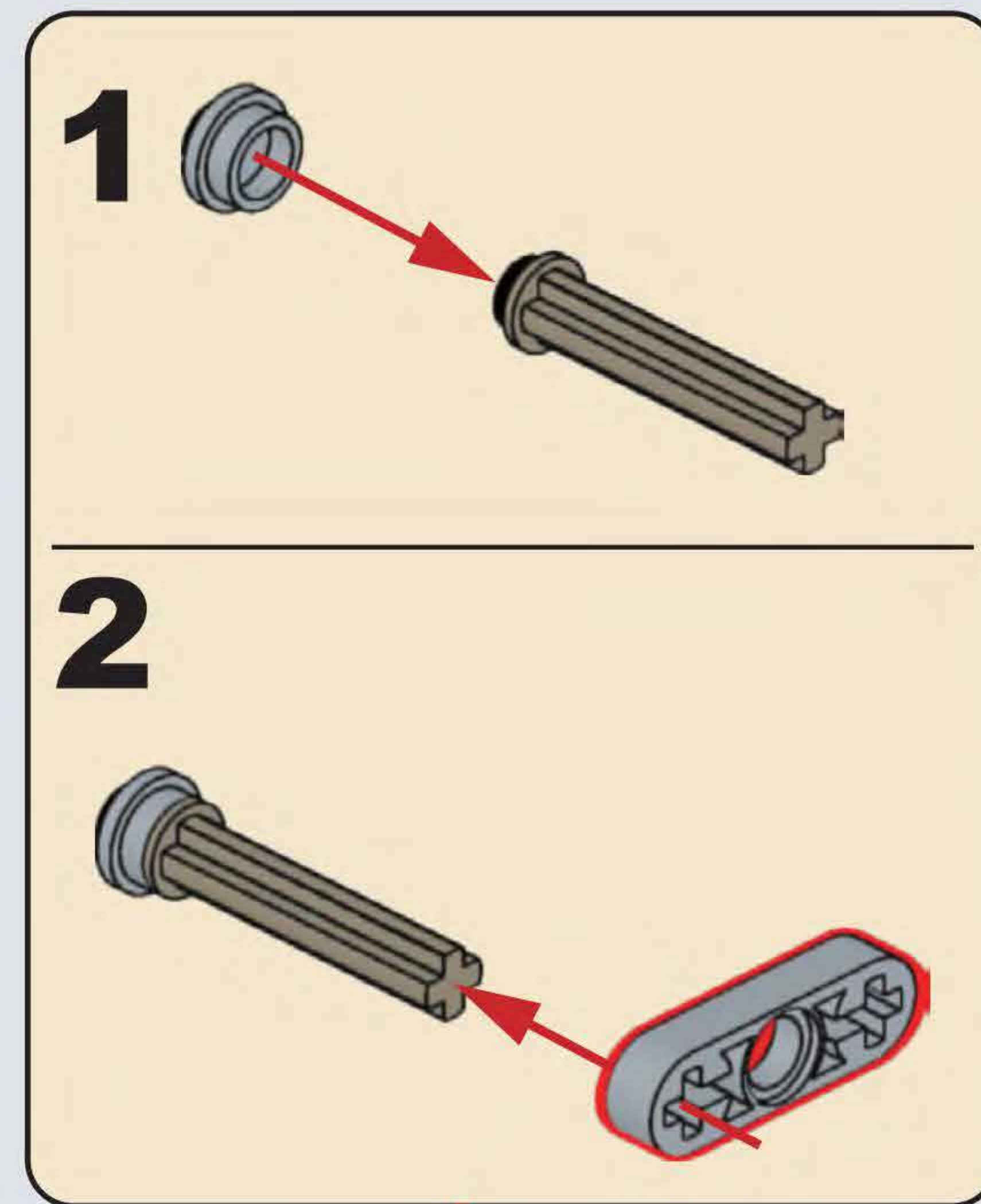


A69

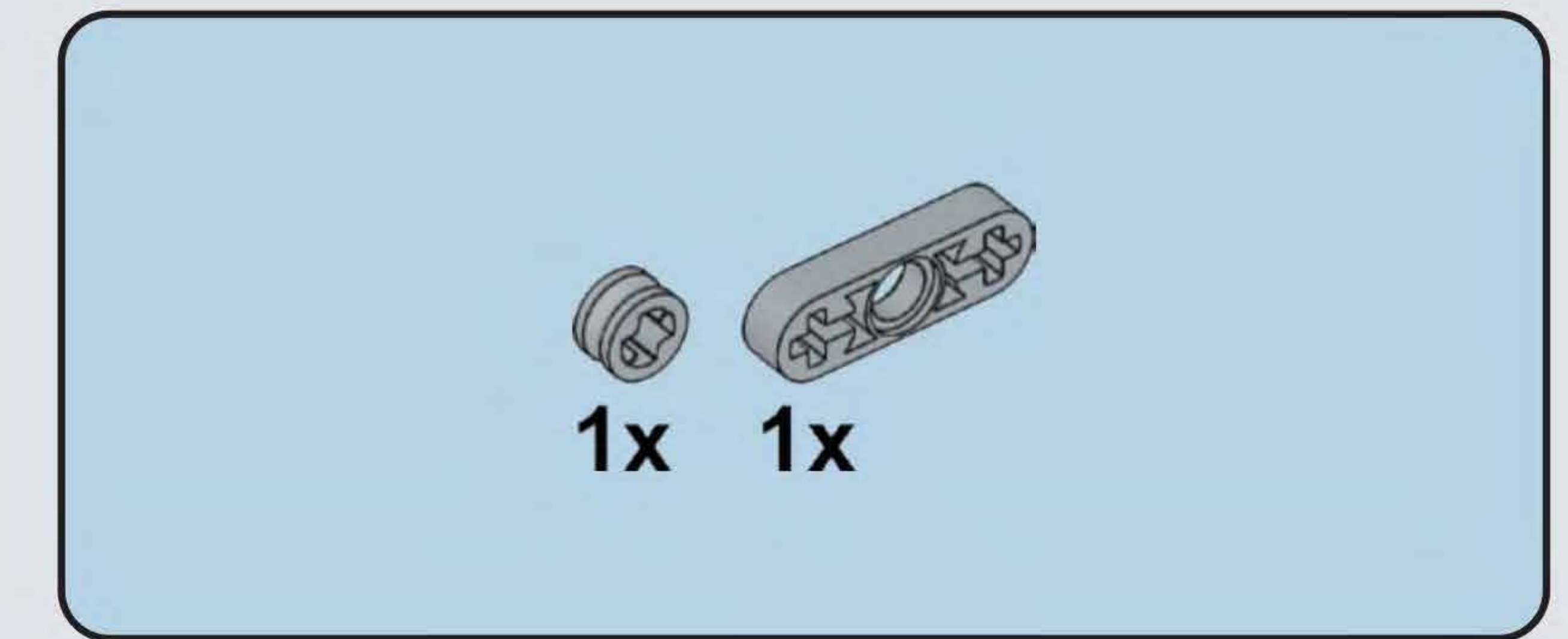
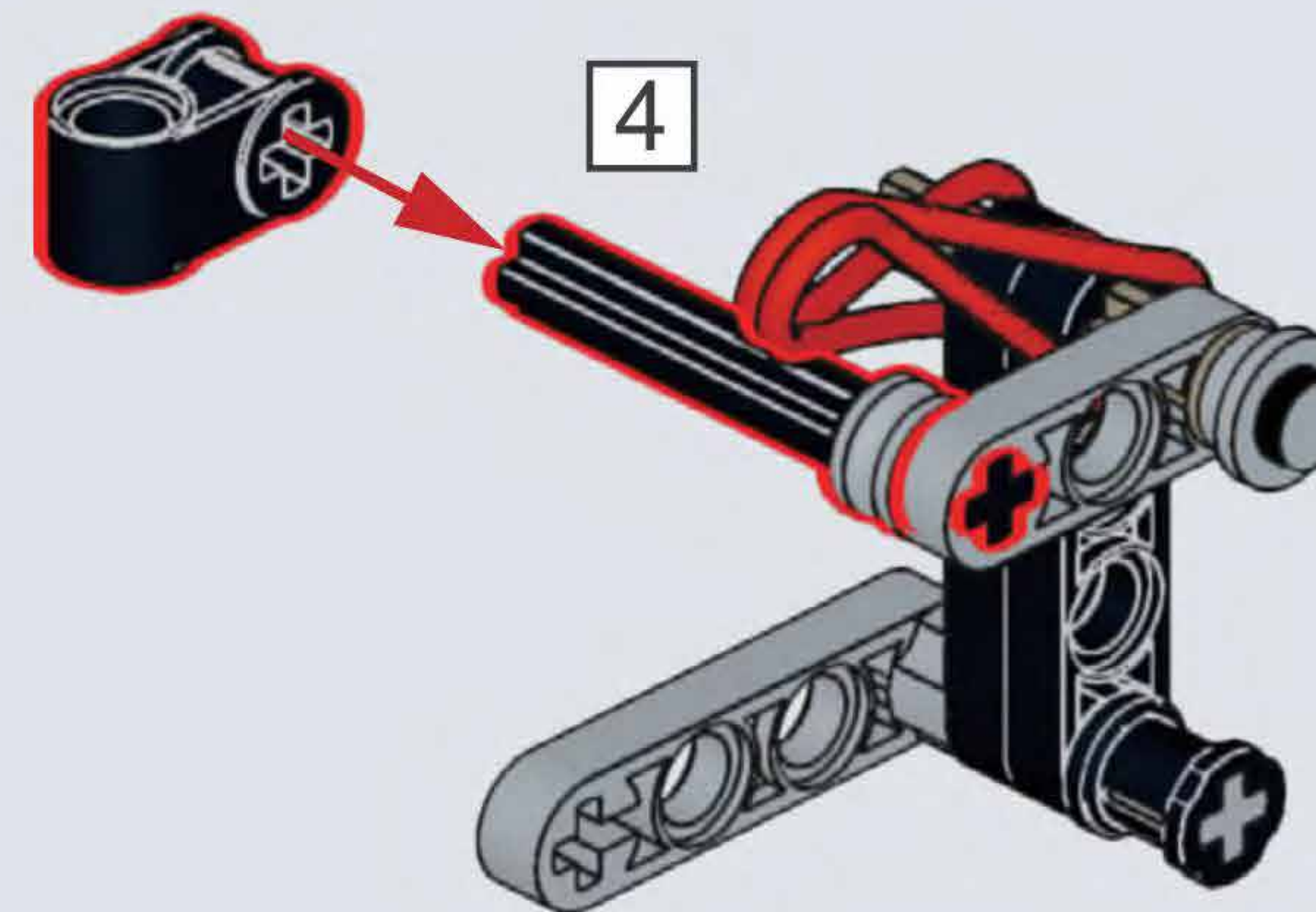




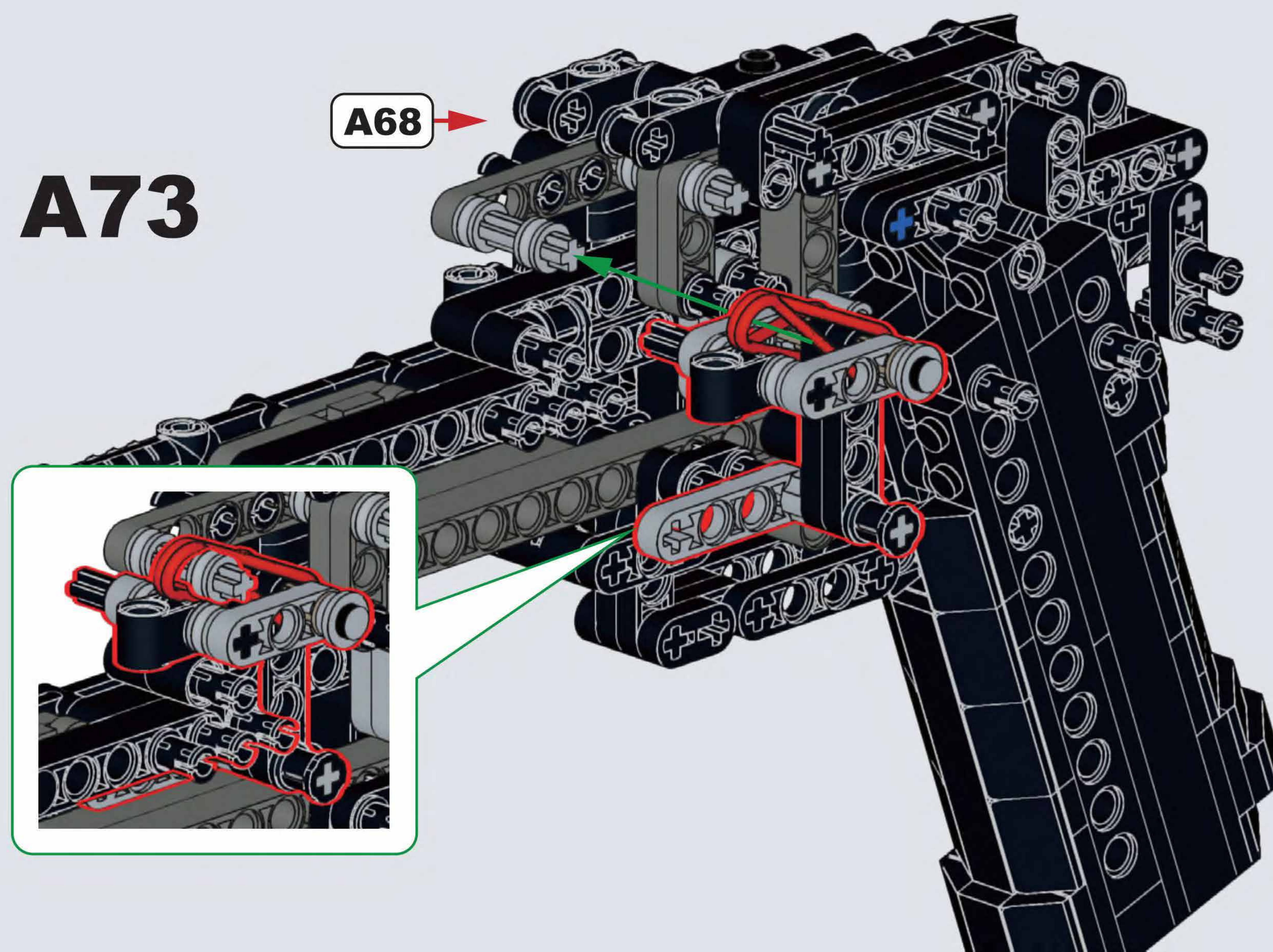
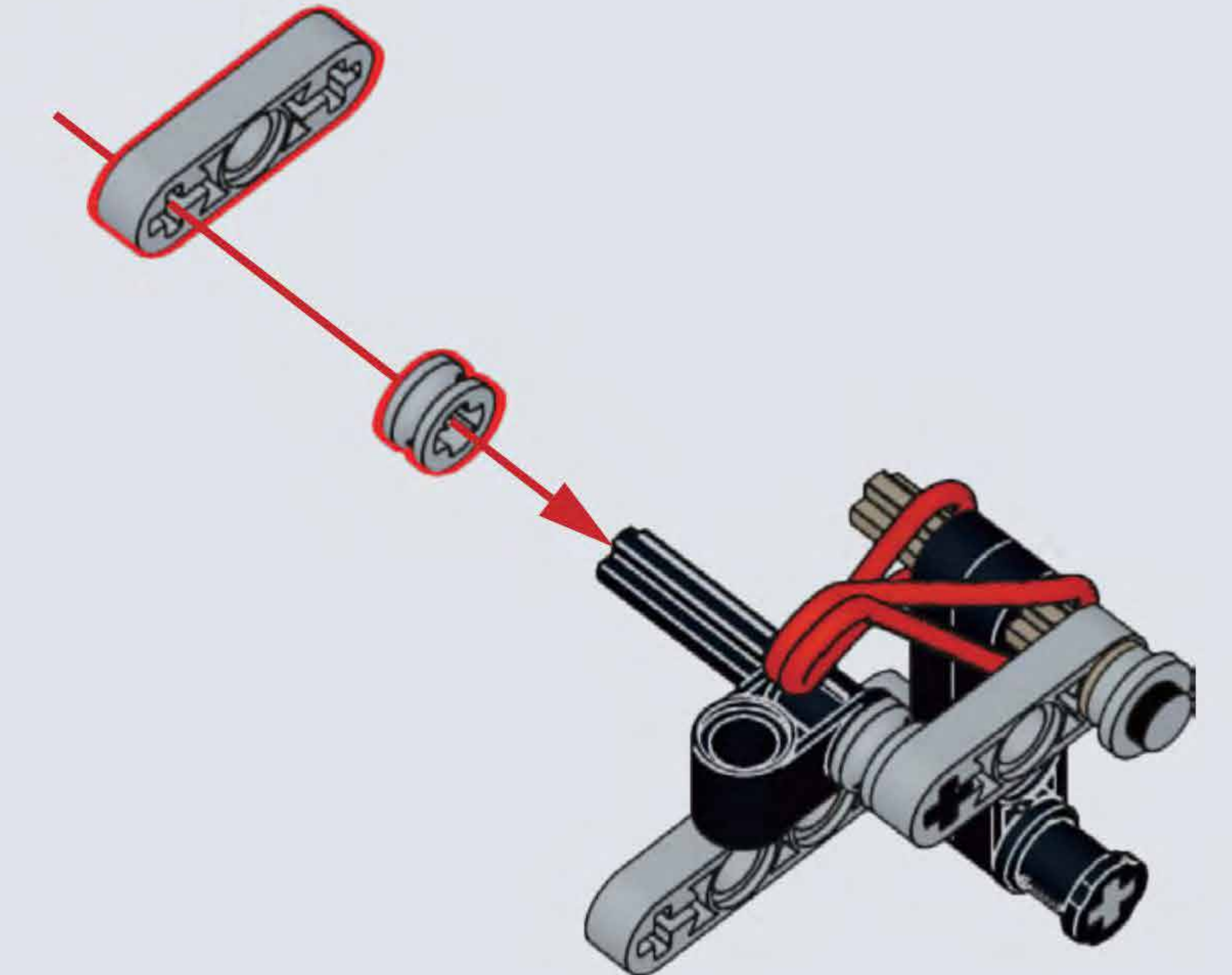
A70



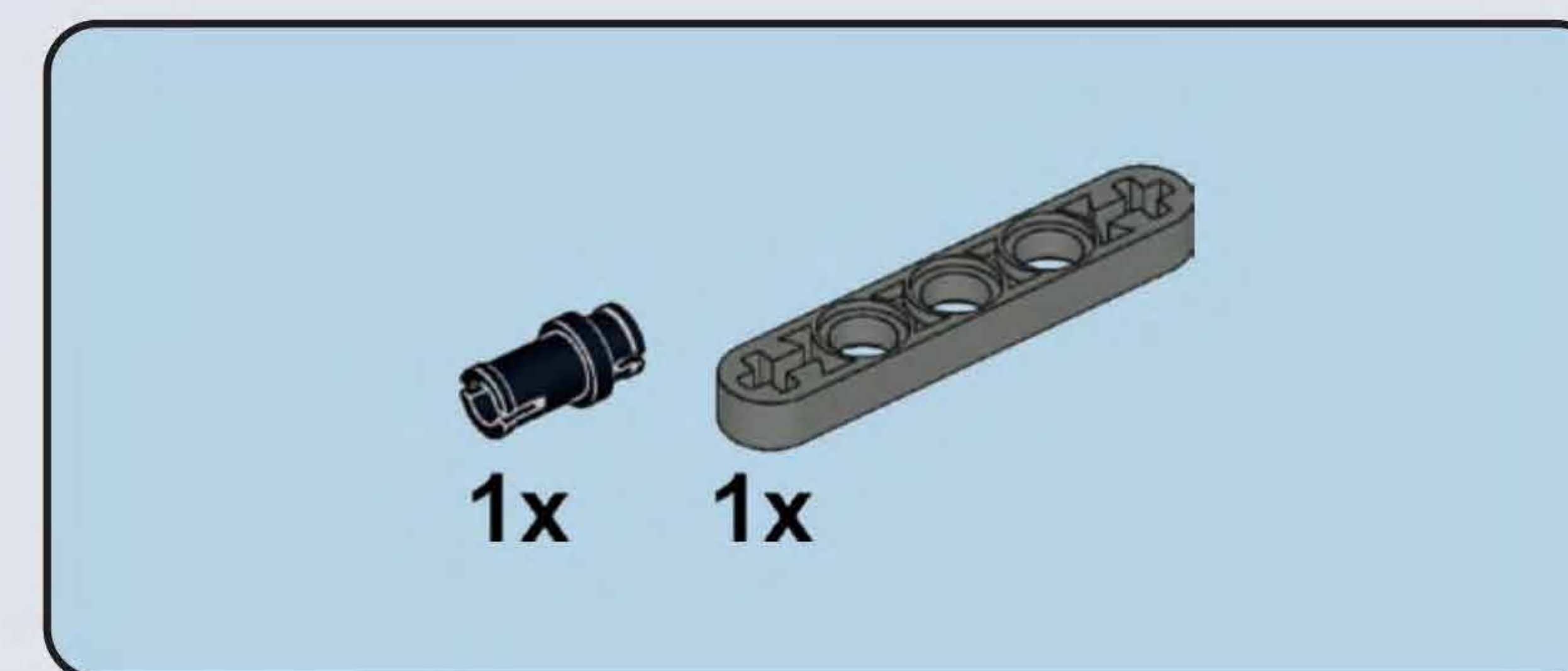
A71



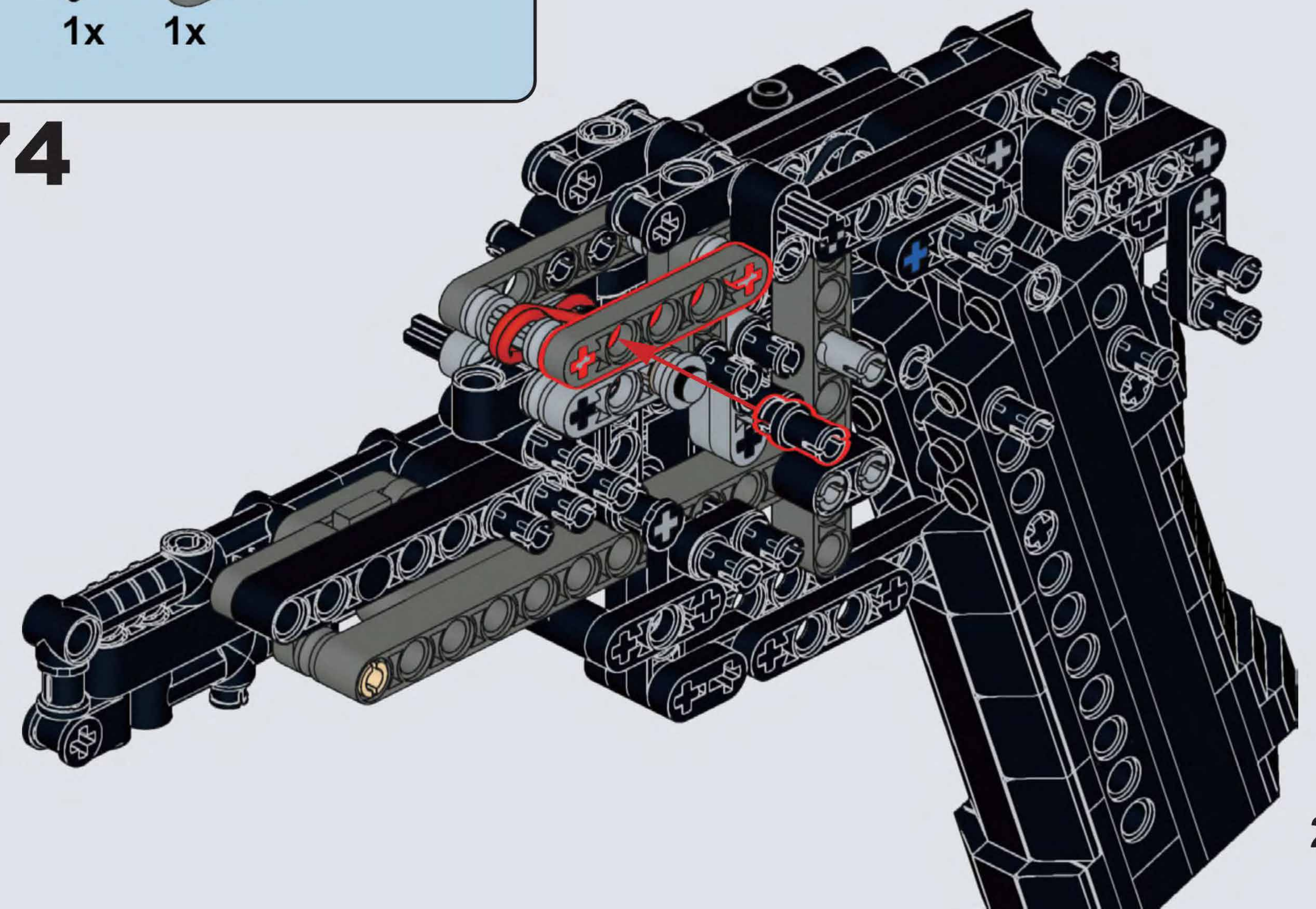
A72

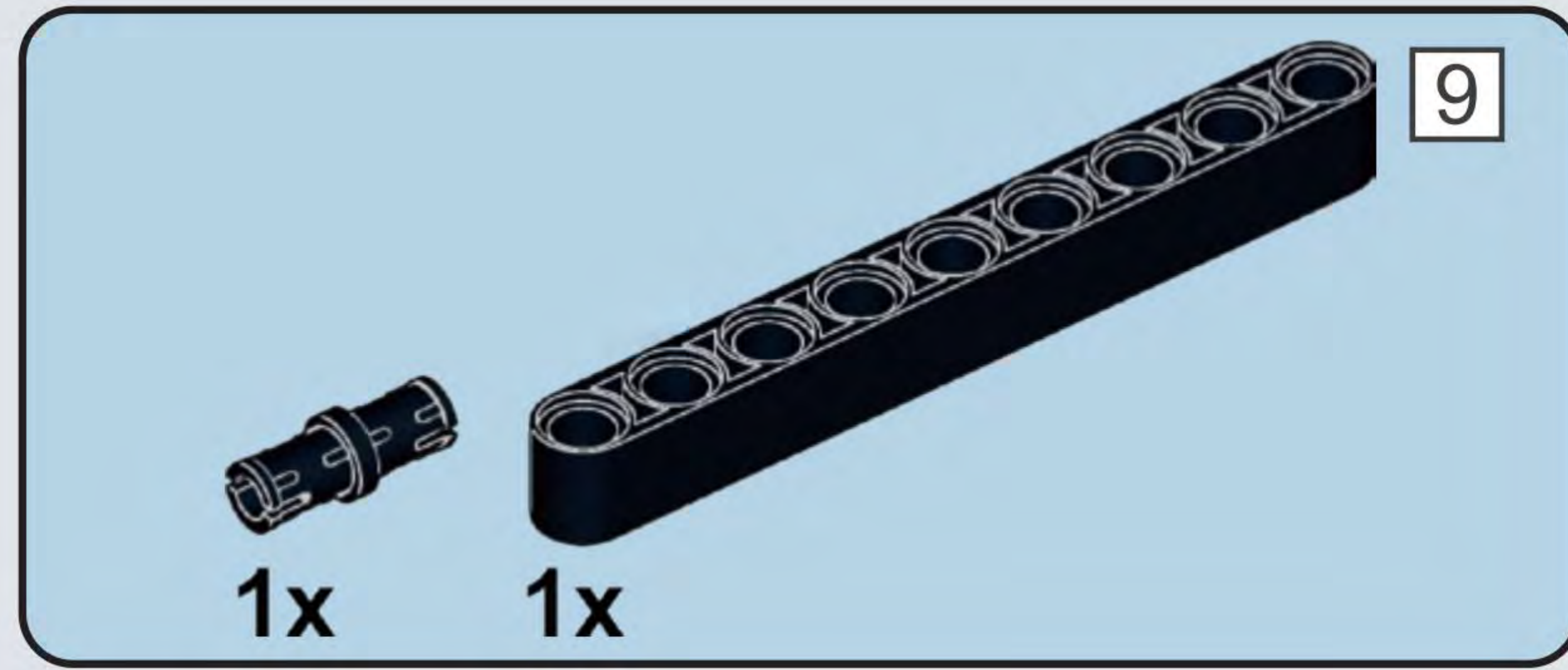


A73

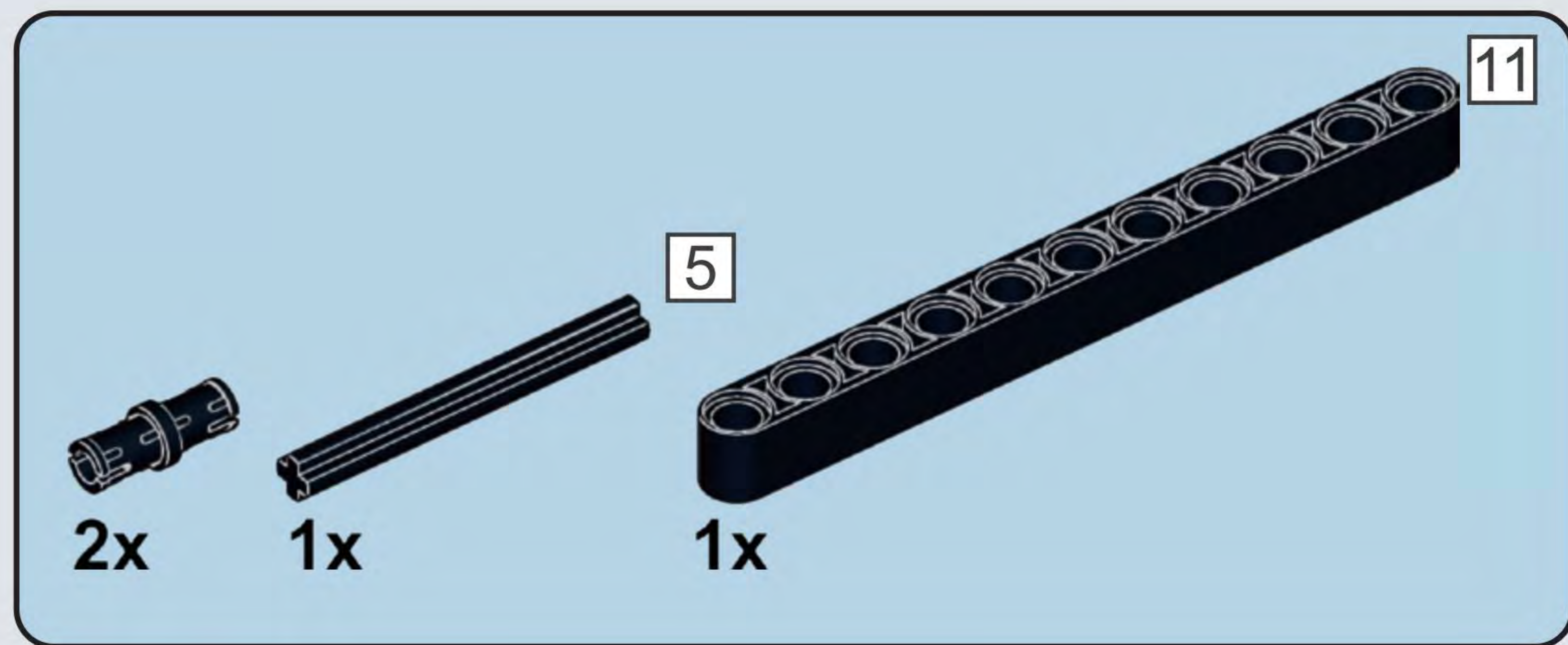
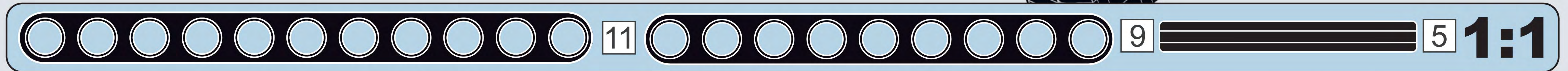
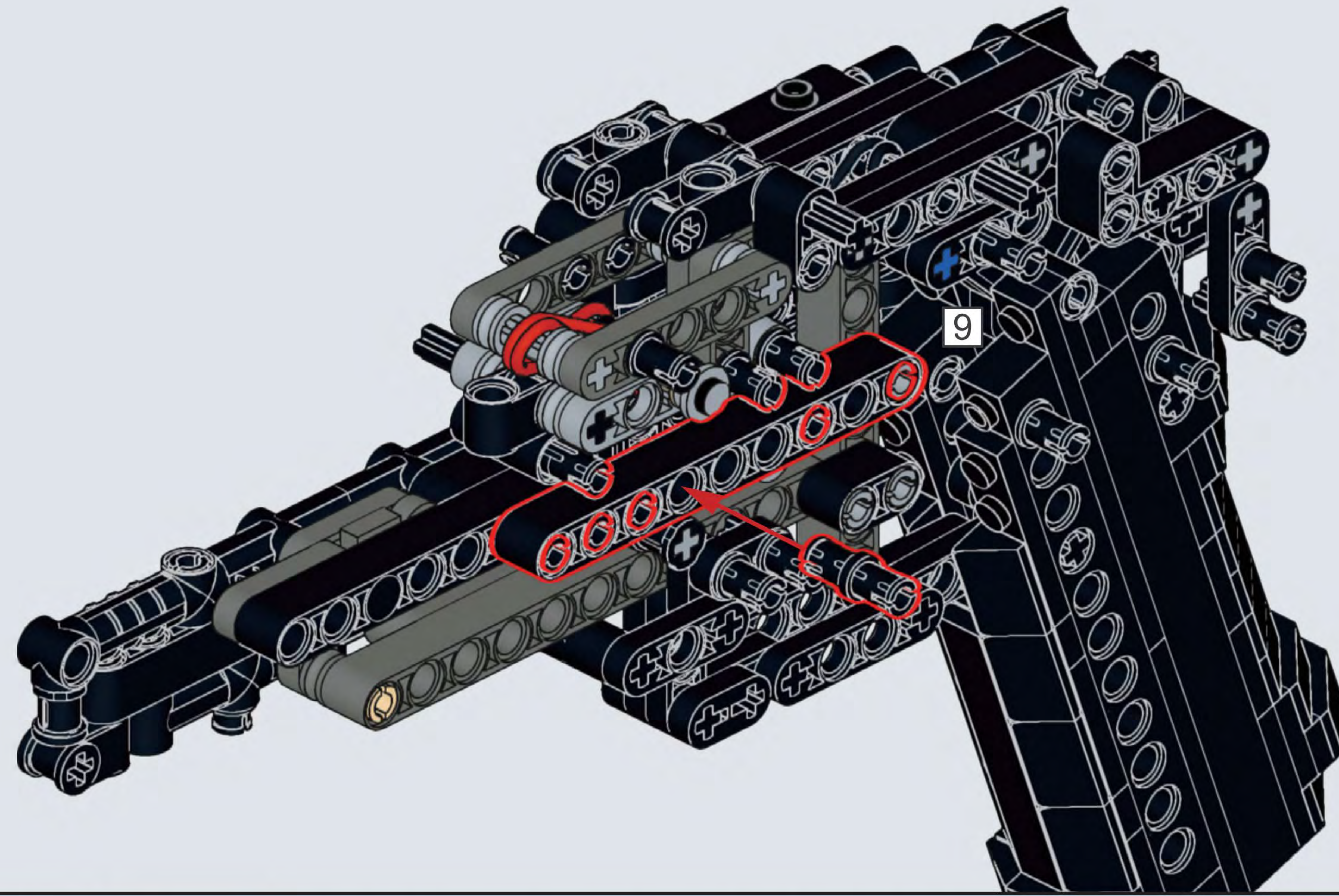


A74

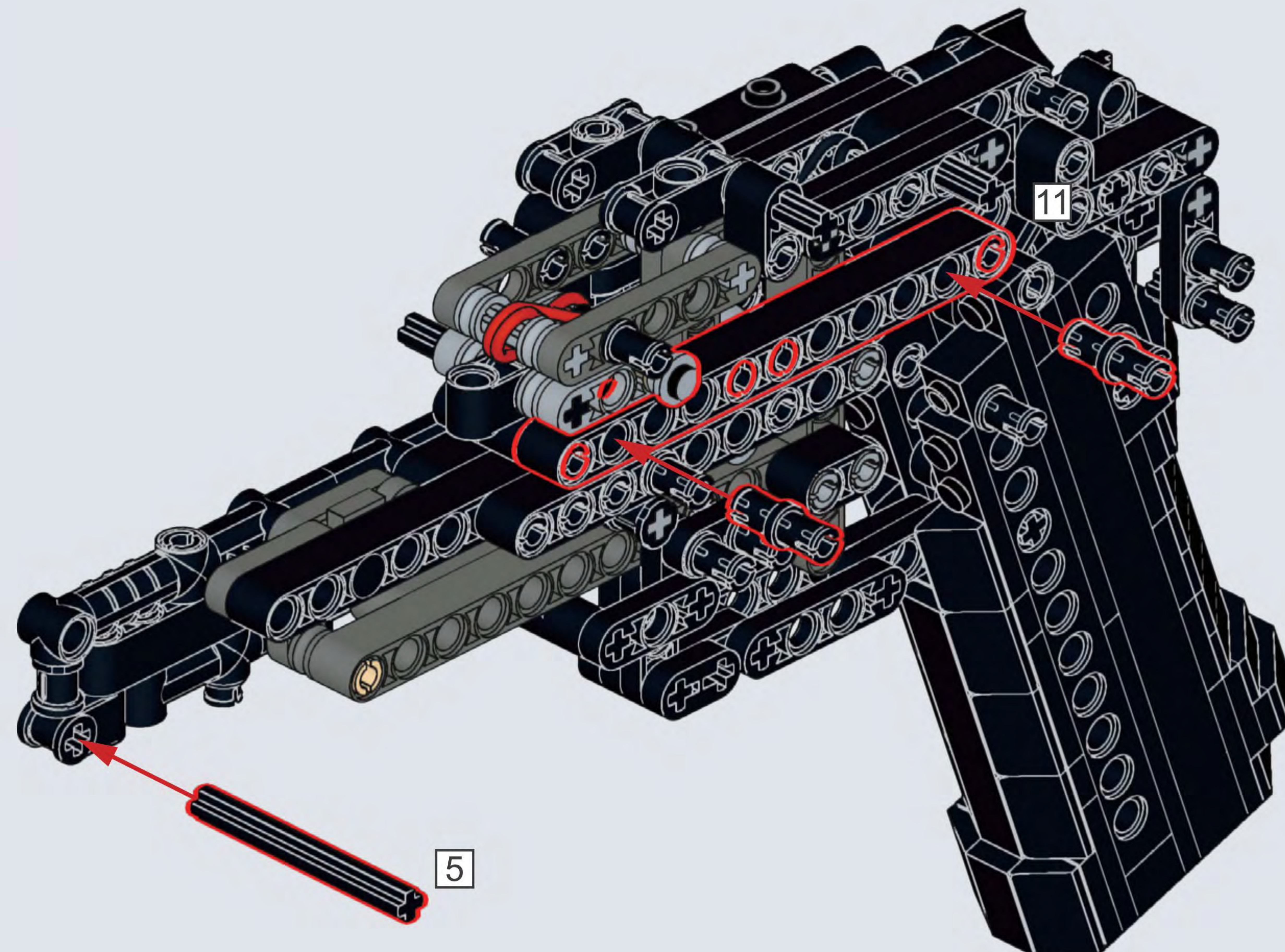


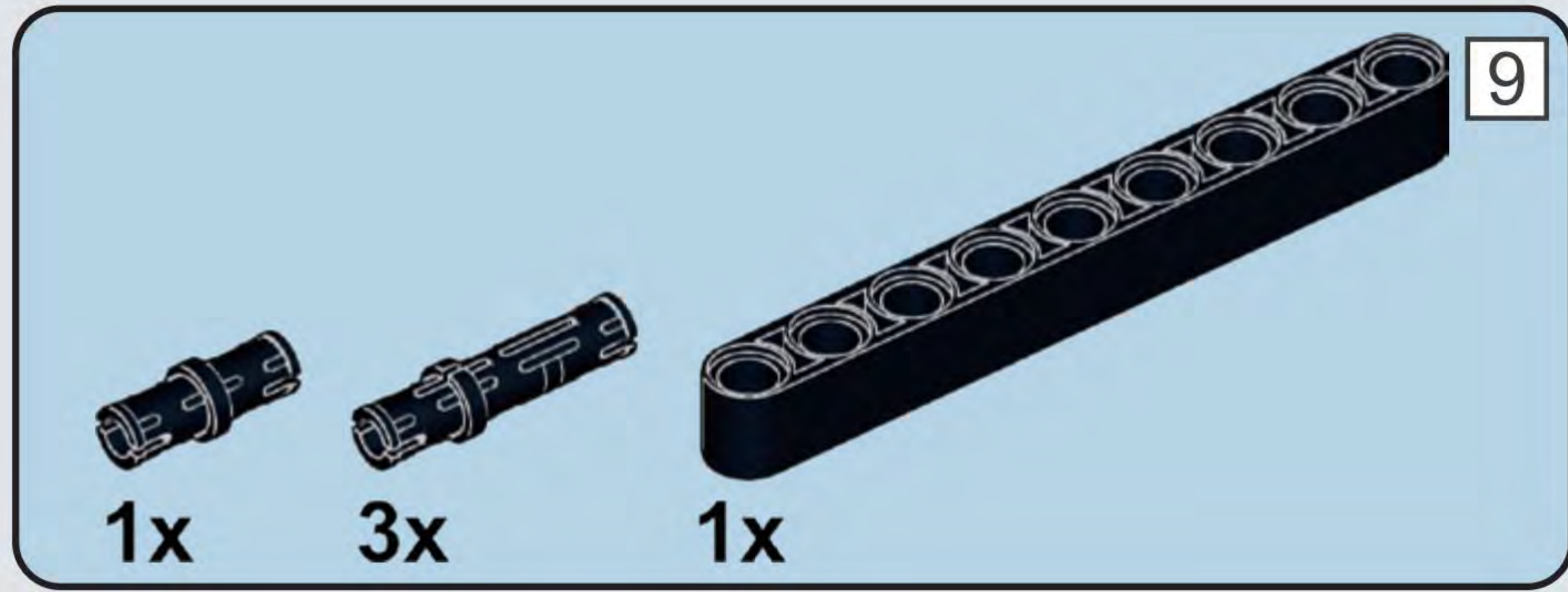


A75

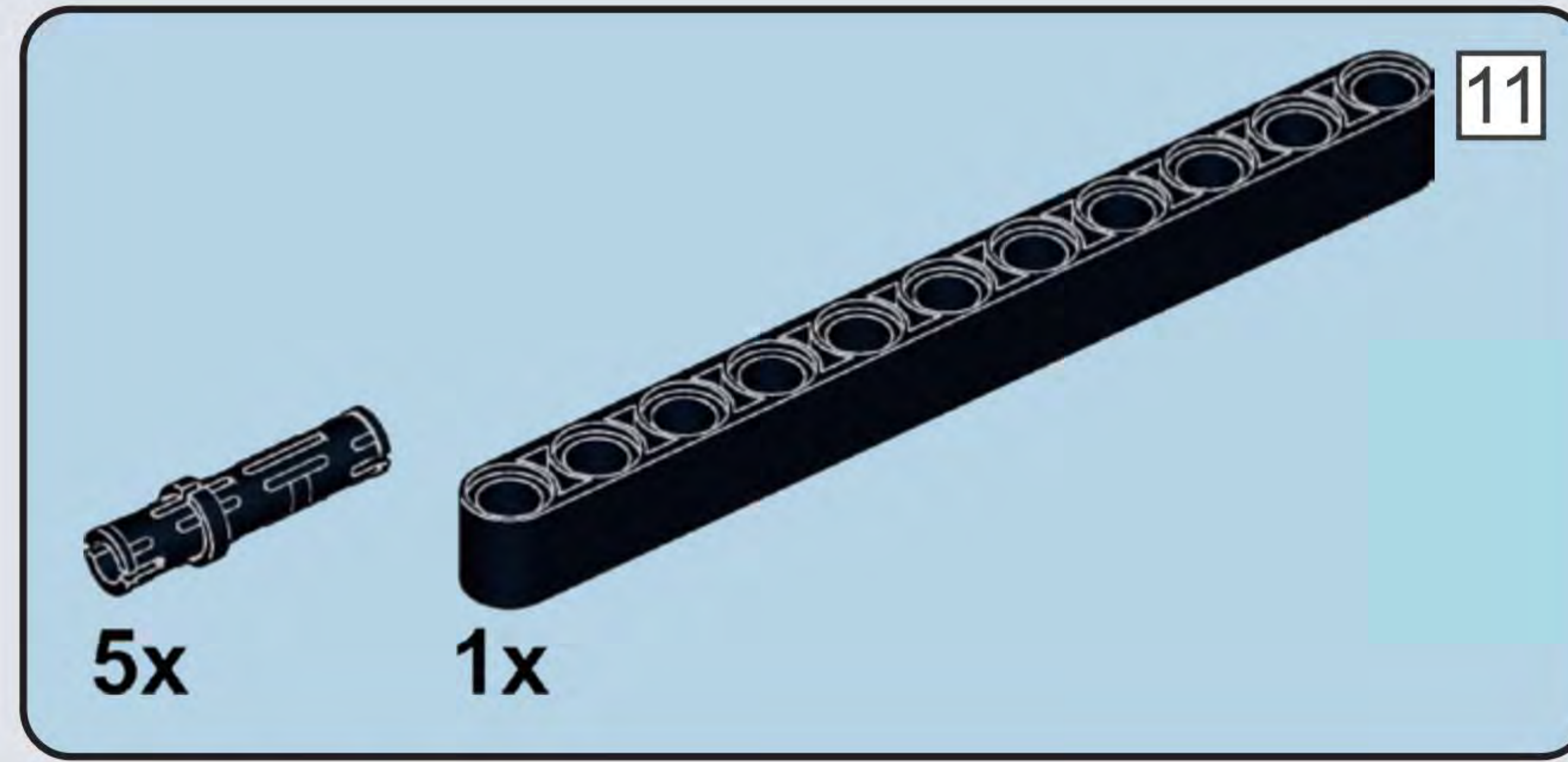
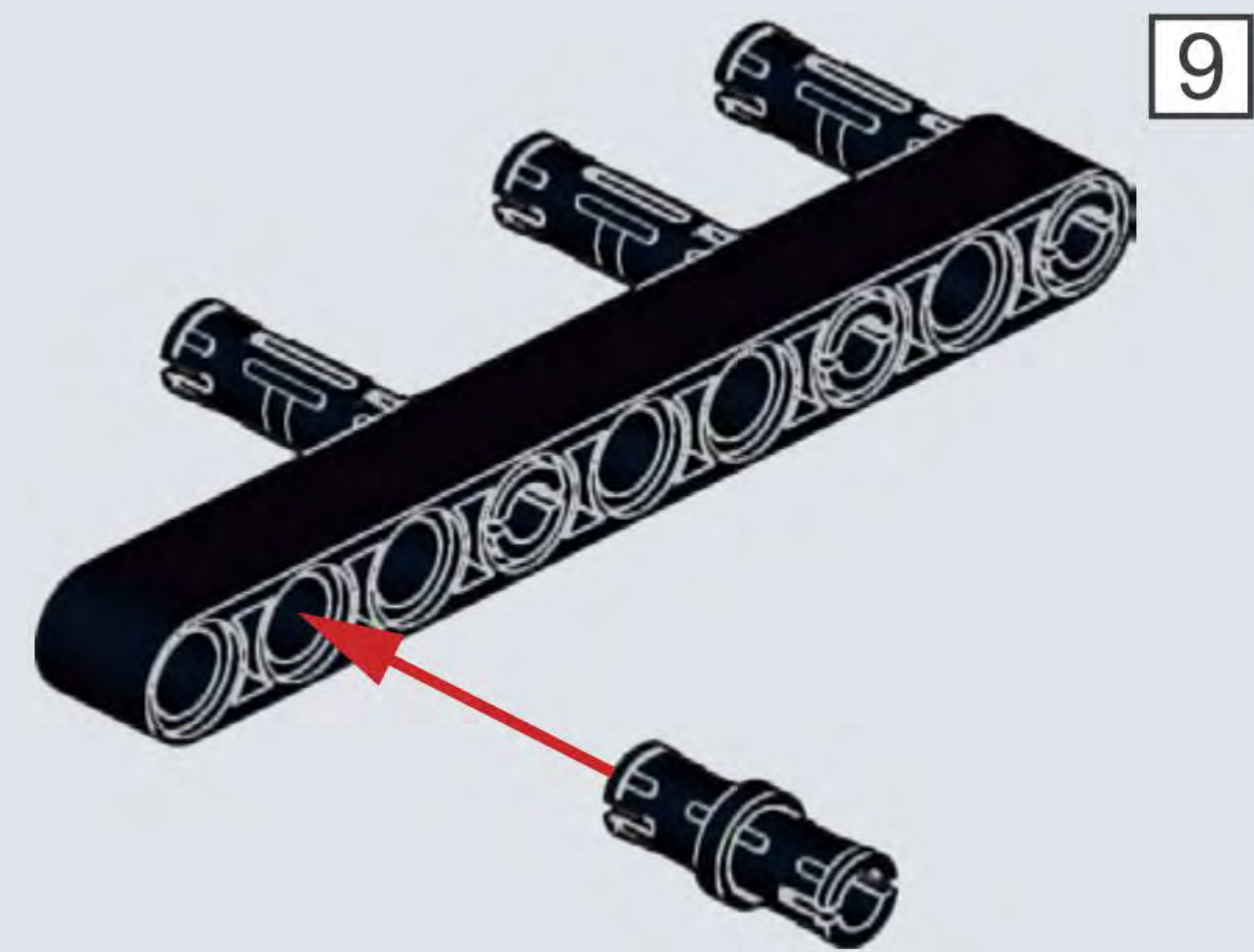


A76

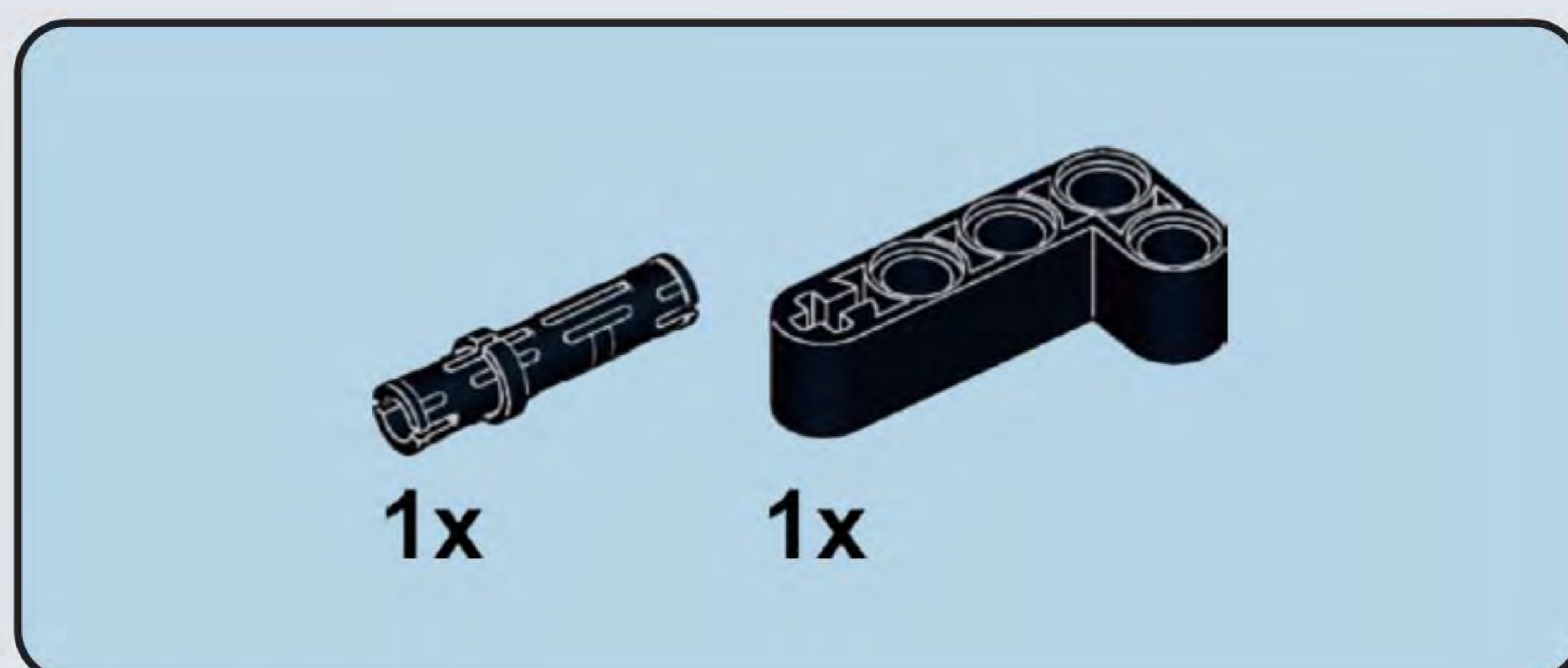
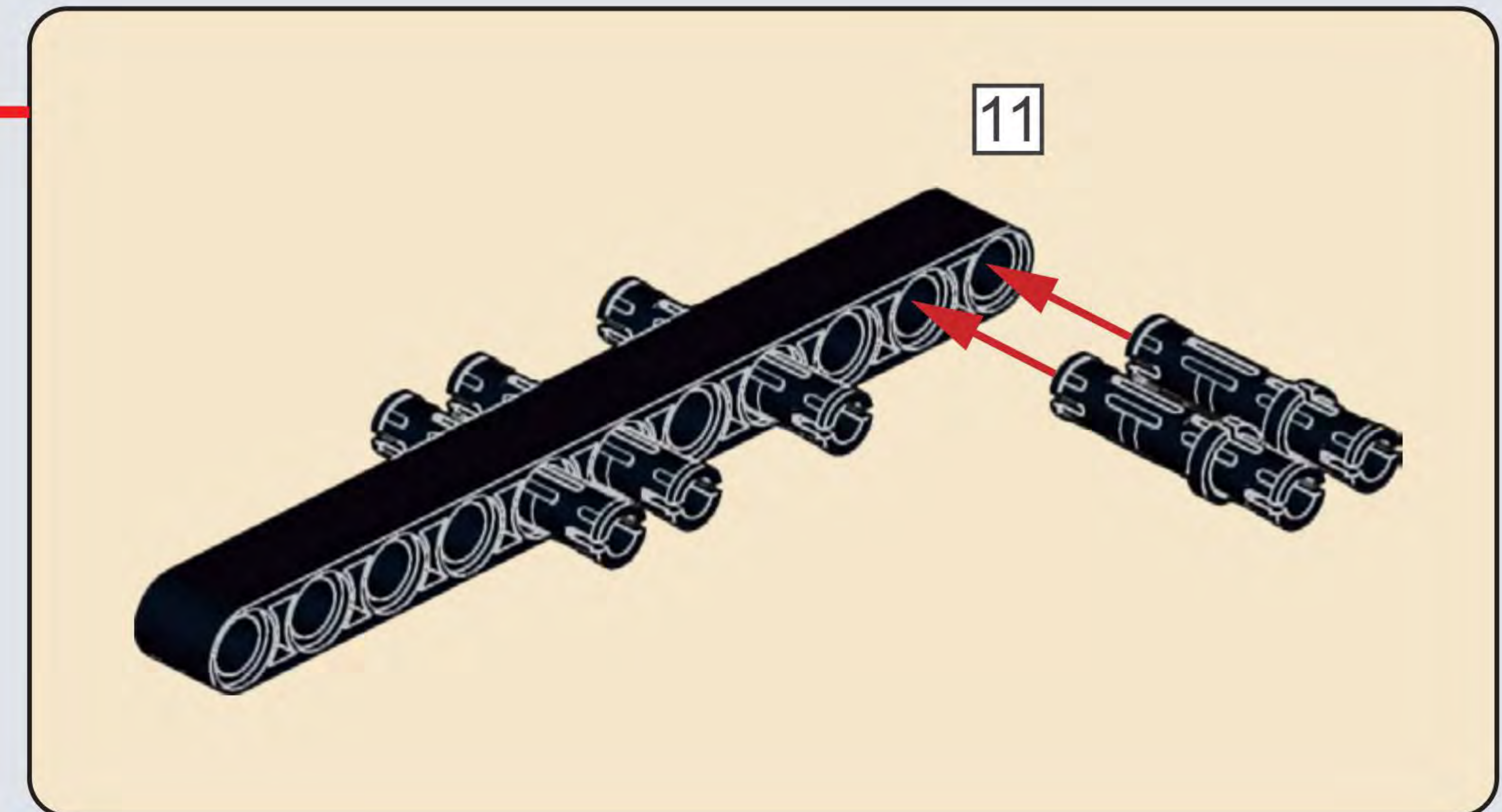
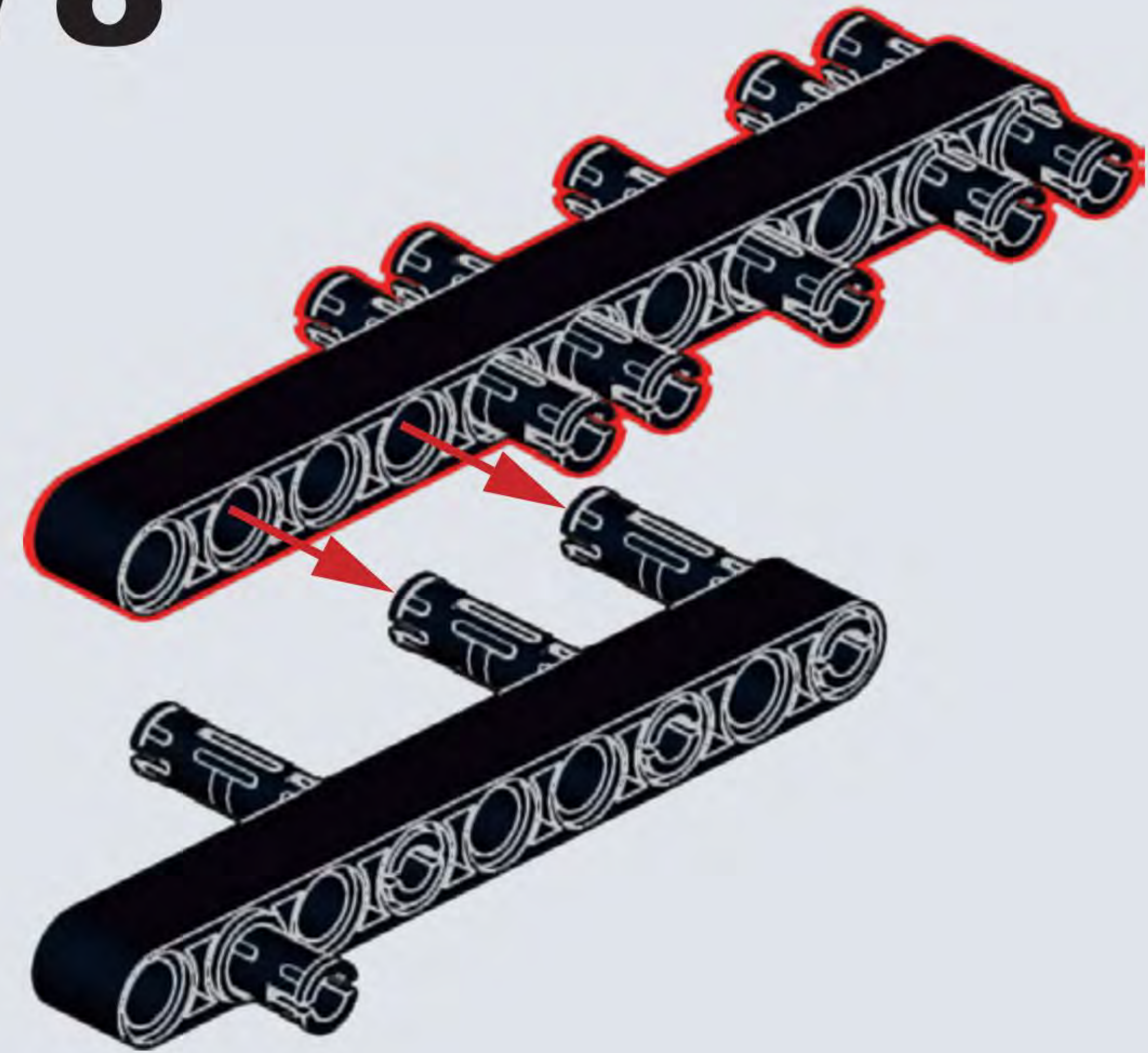




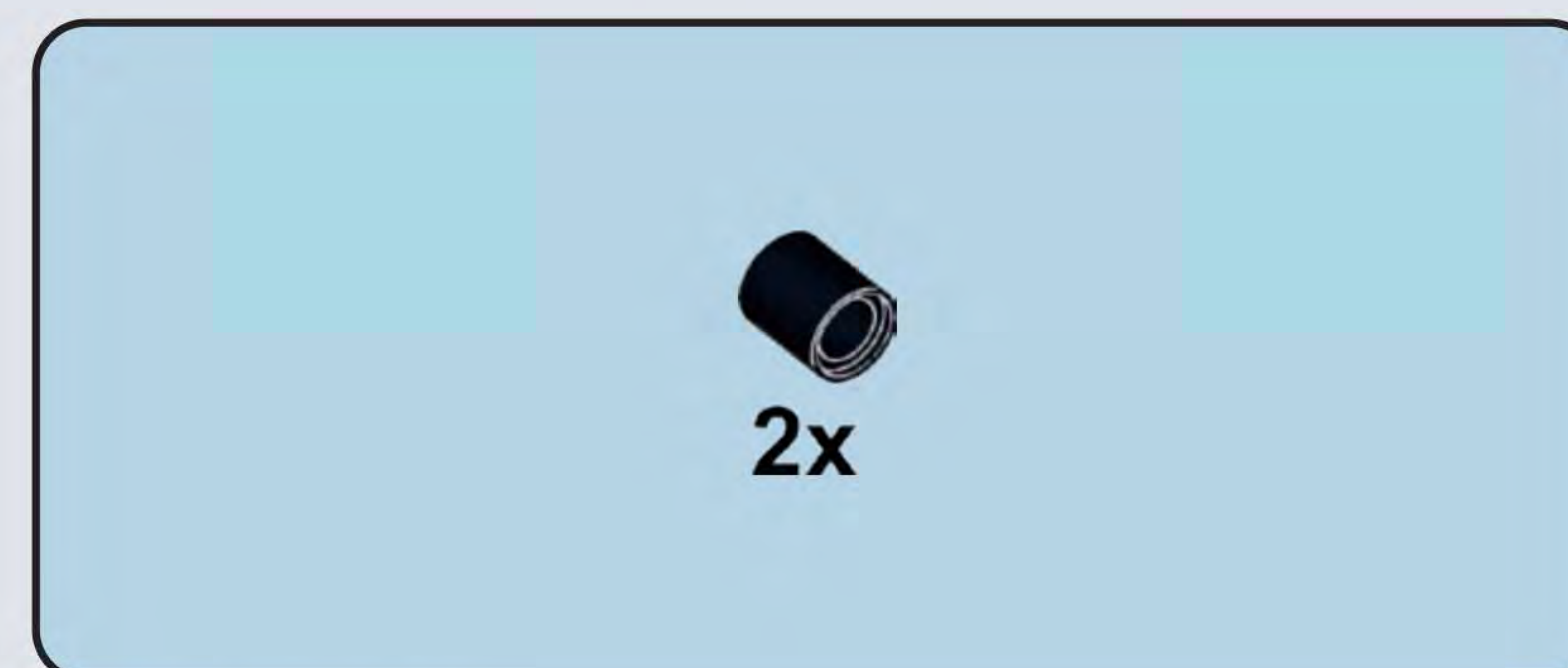
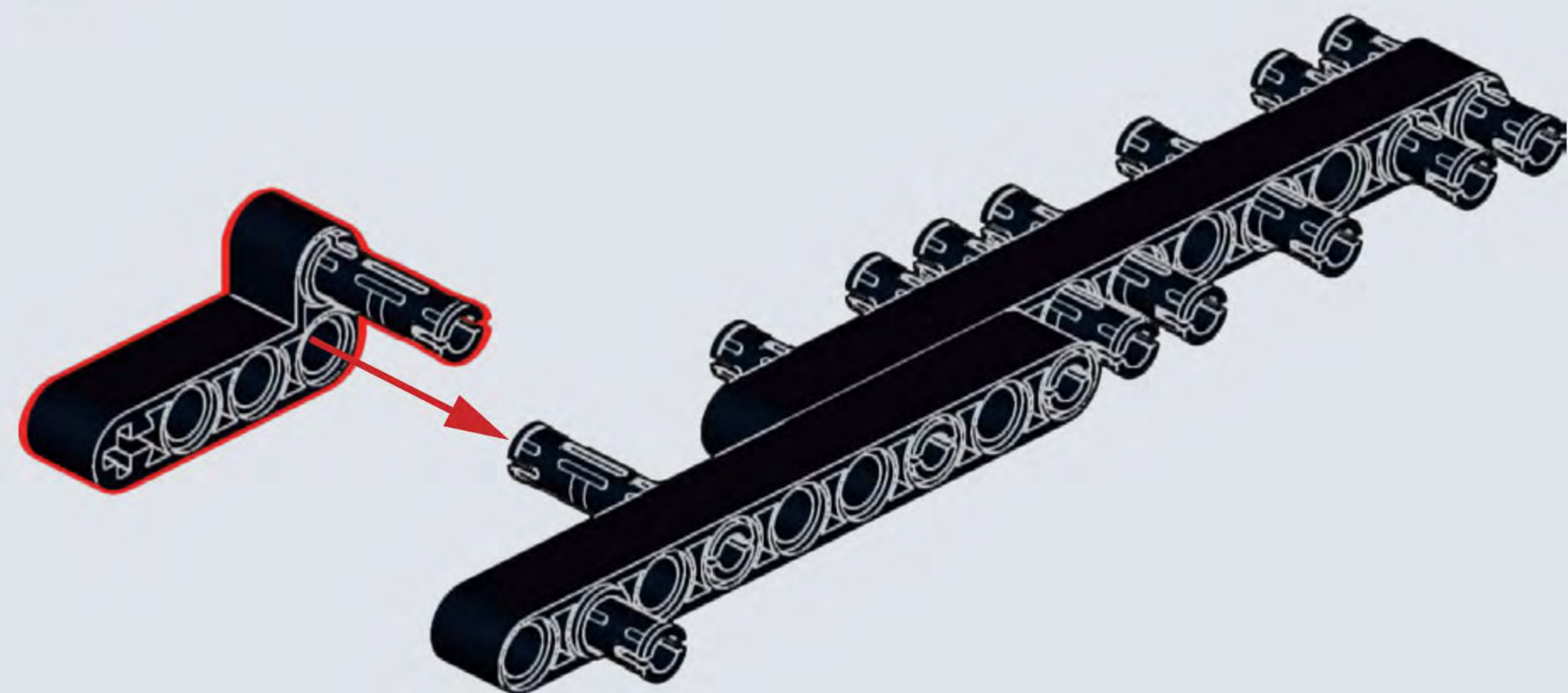
A77



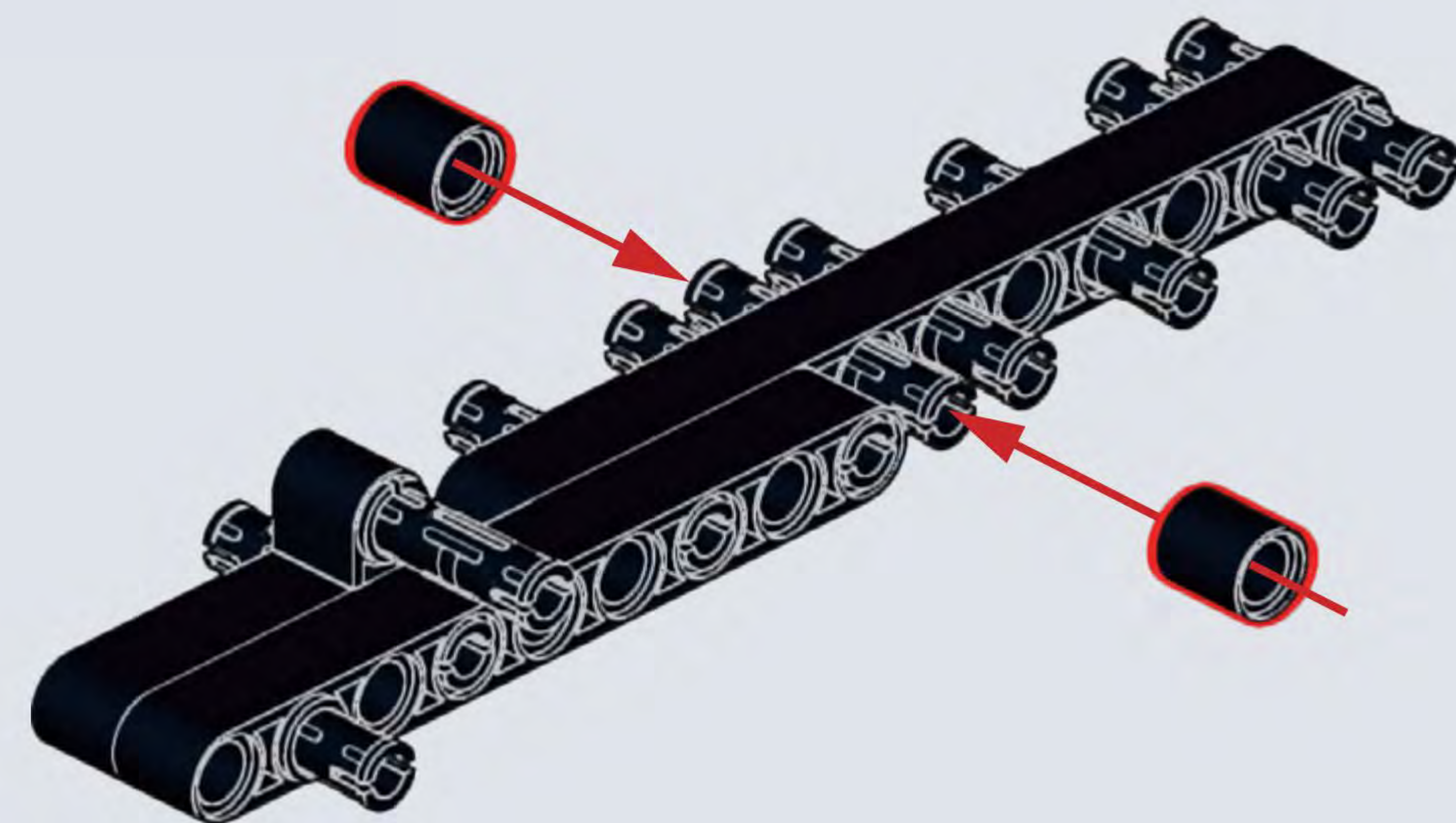
A78

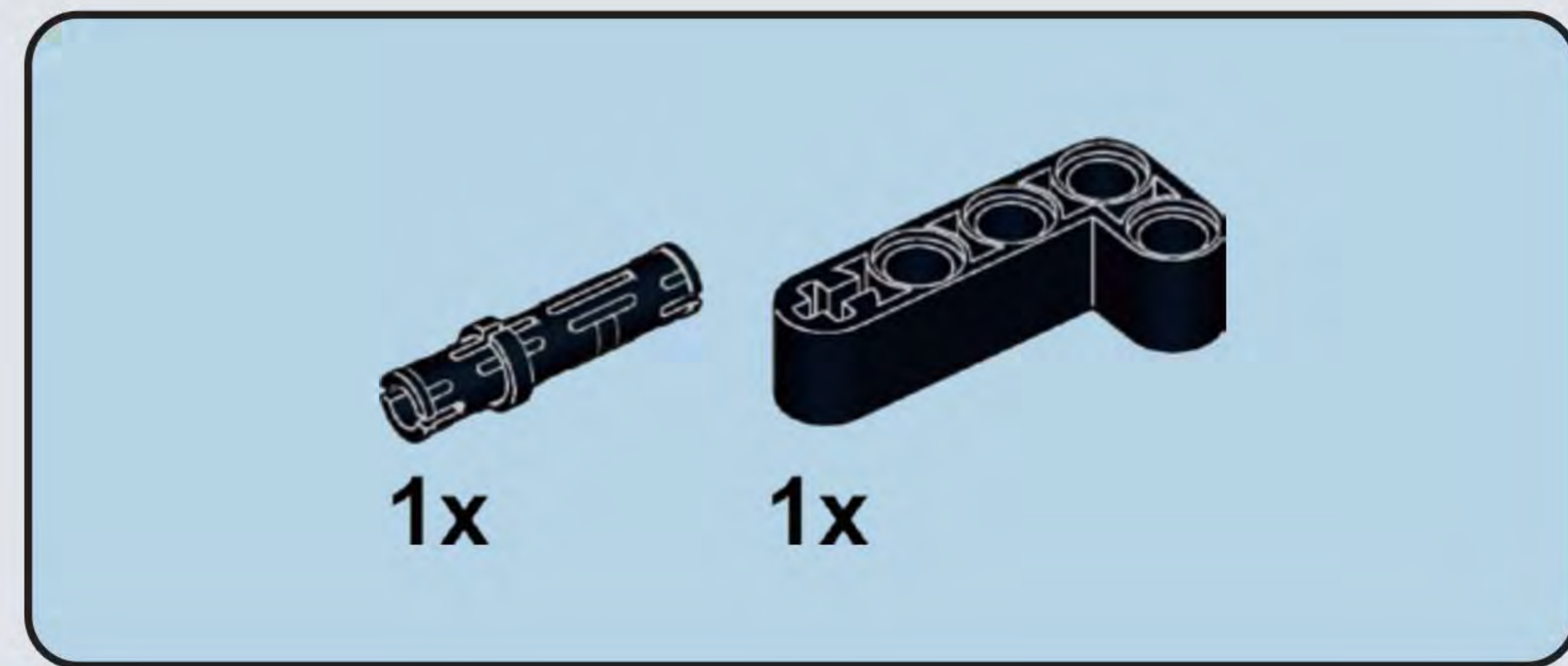


A79

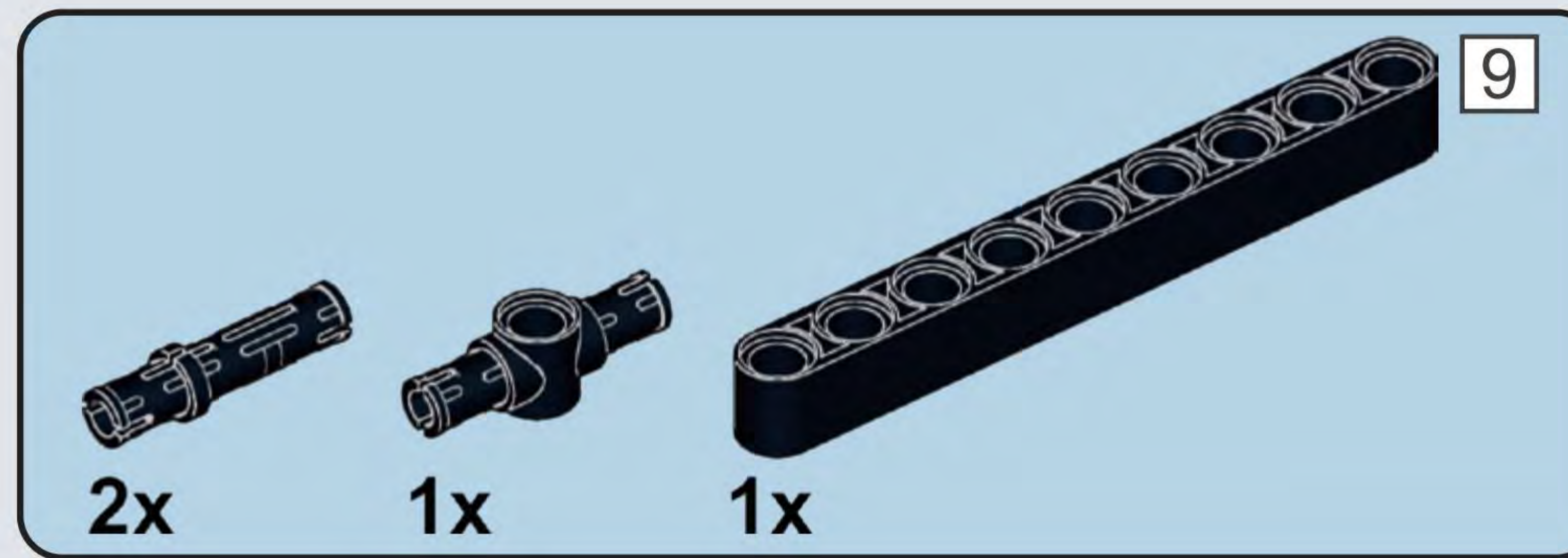
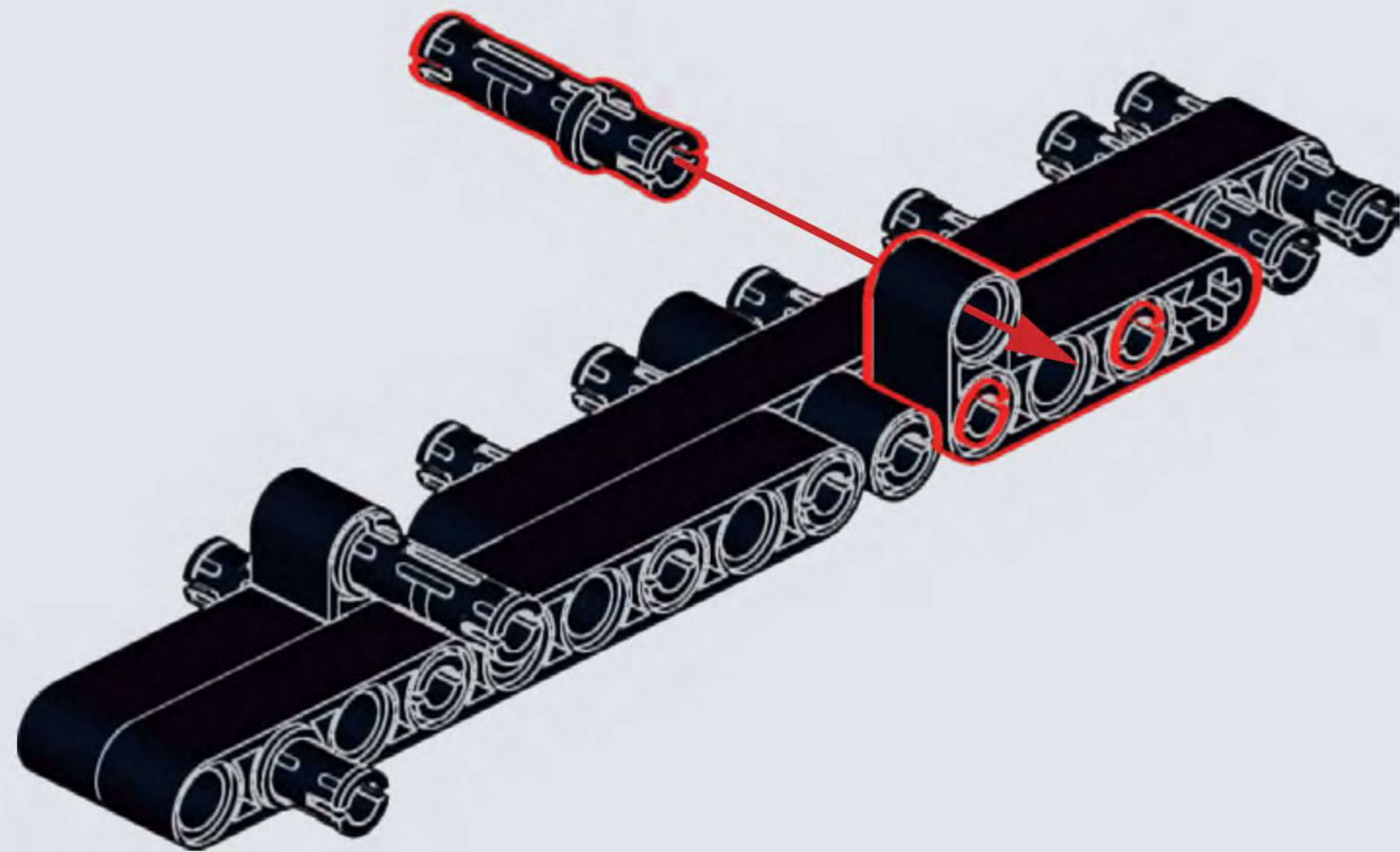


A80

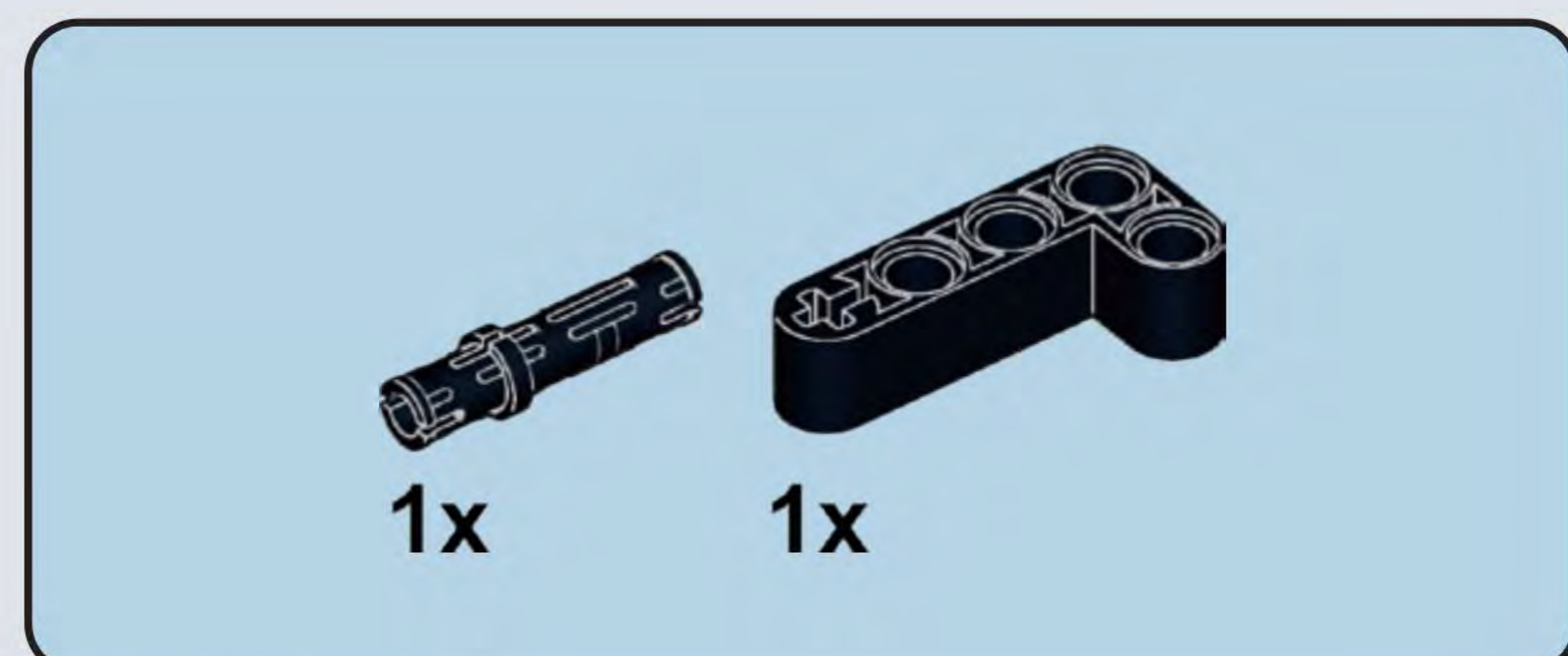
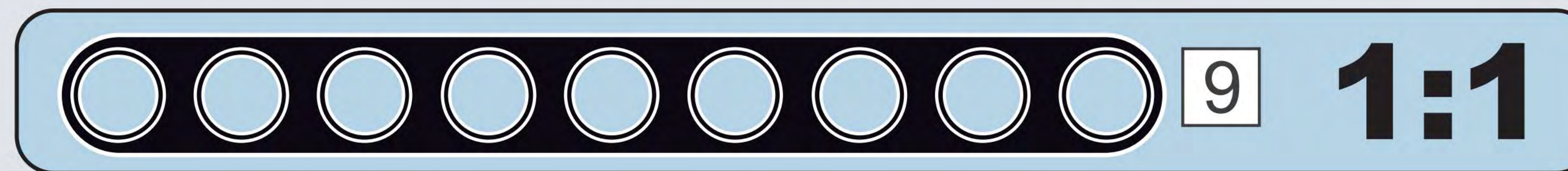
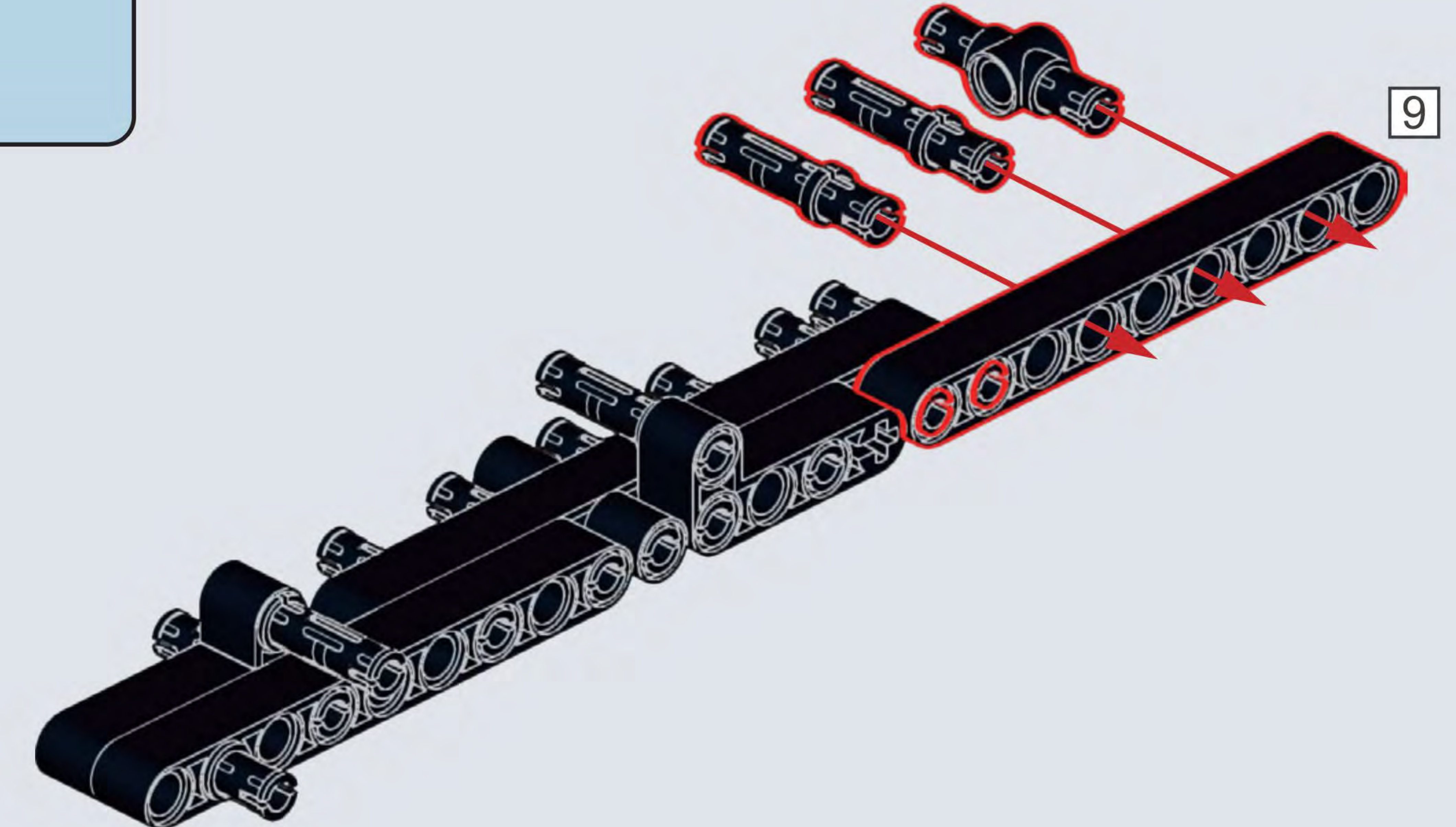




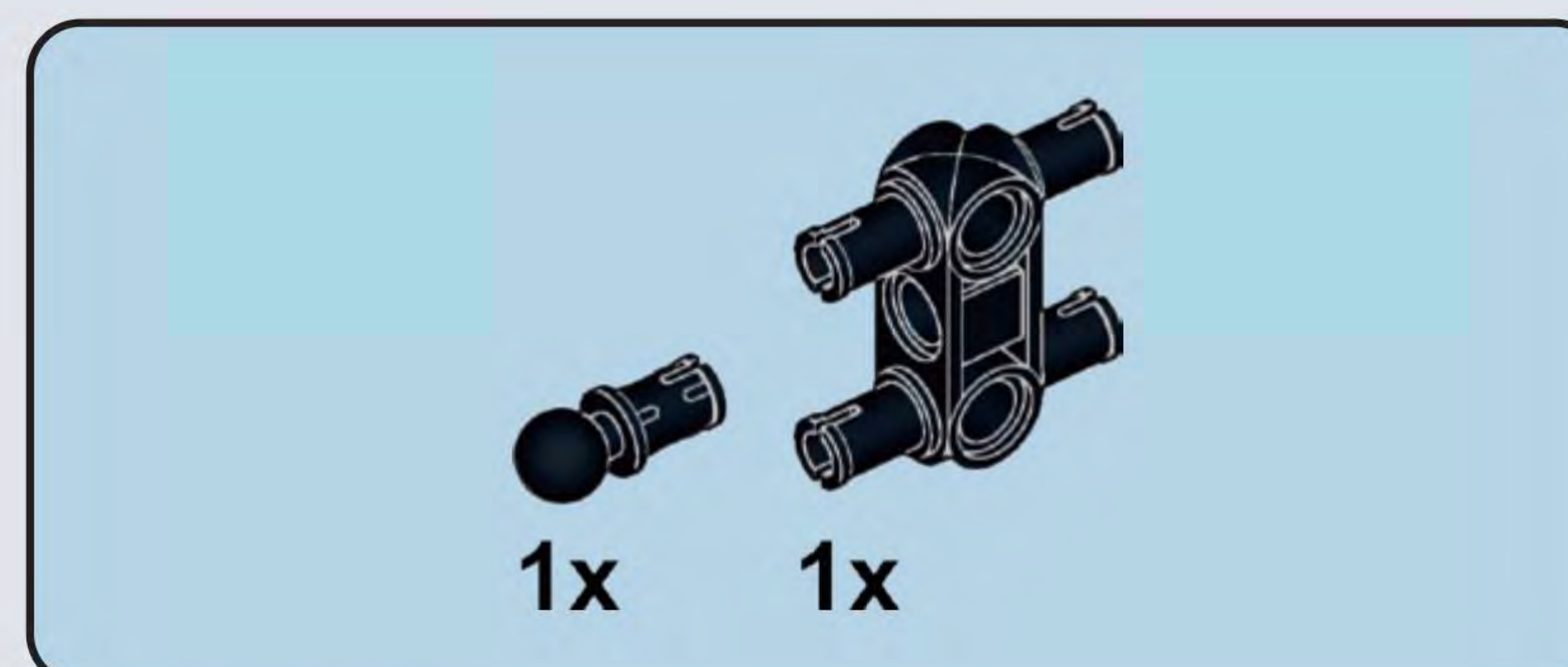
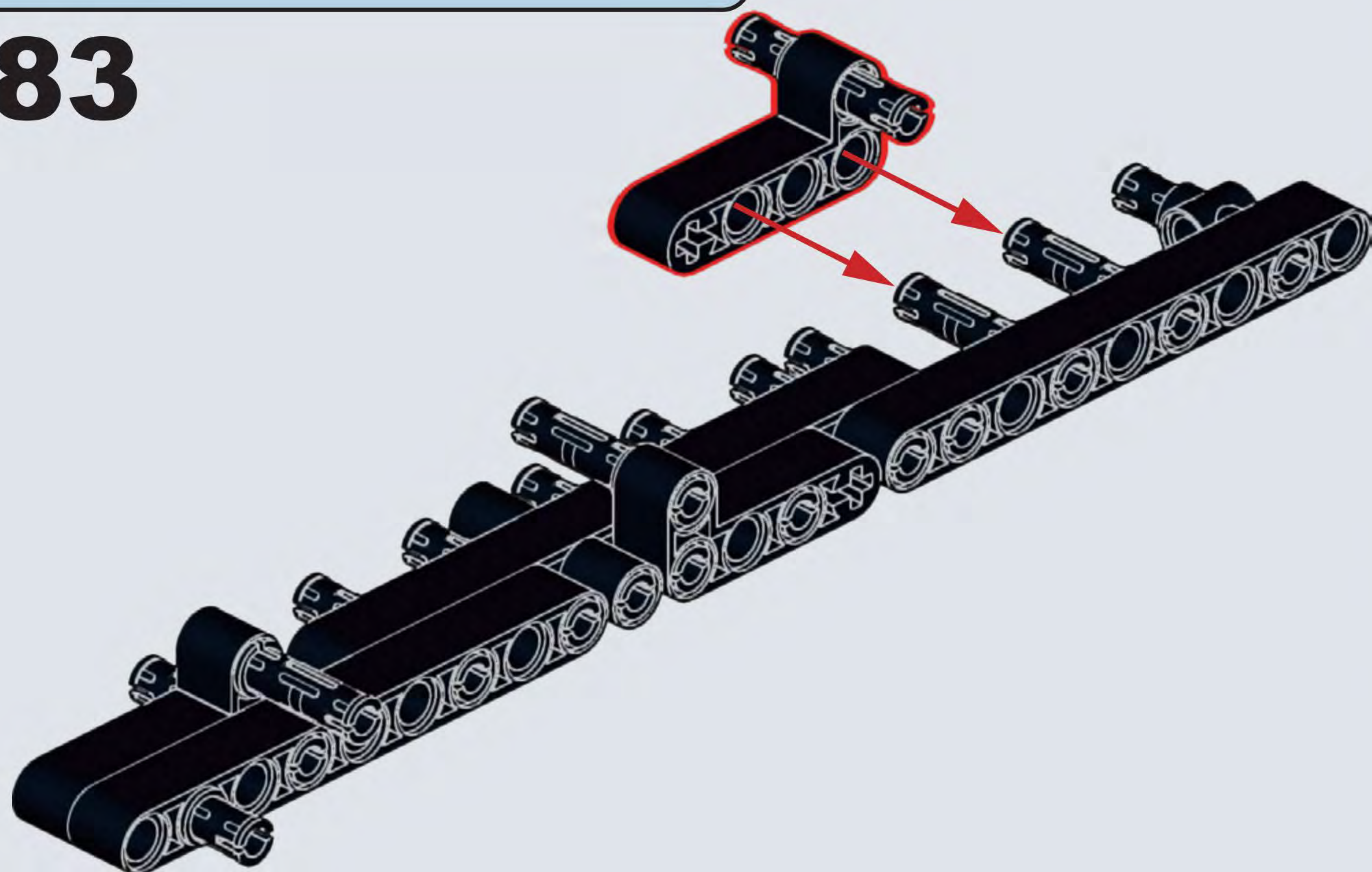
A81



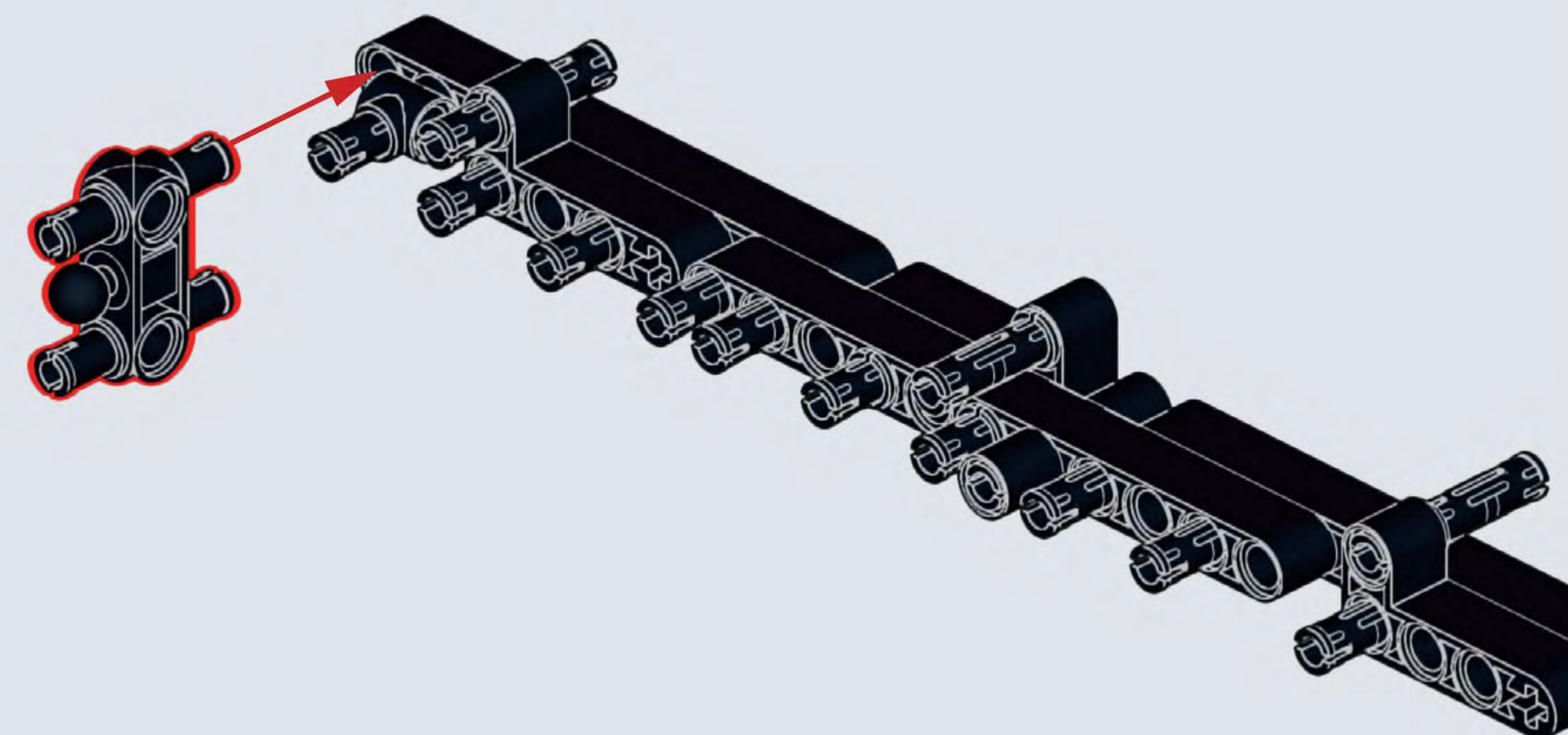
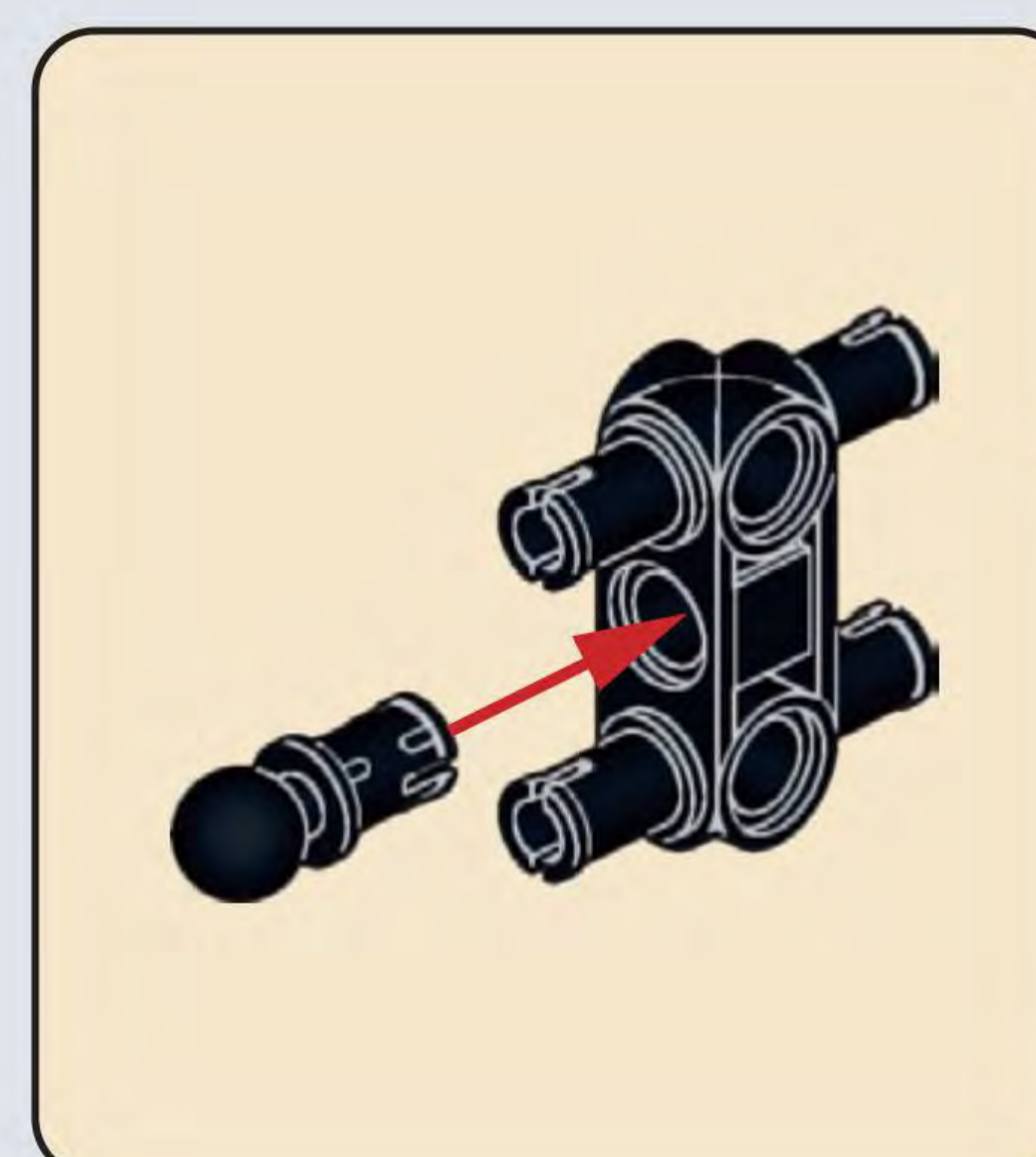
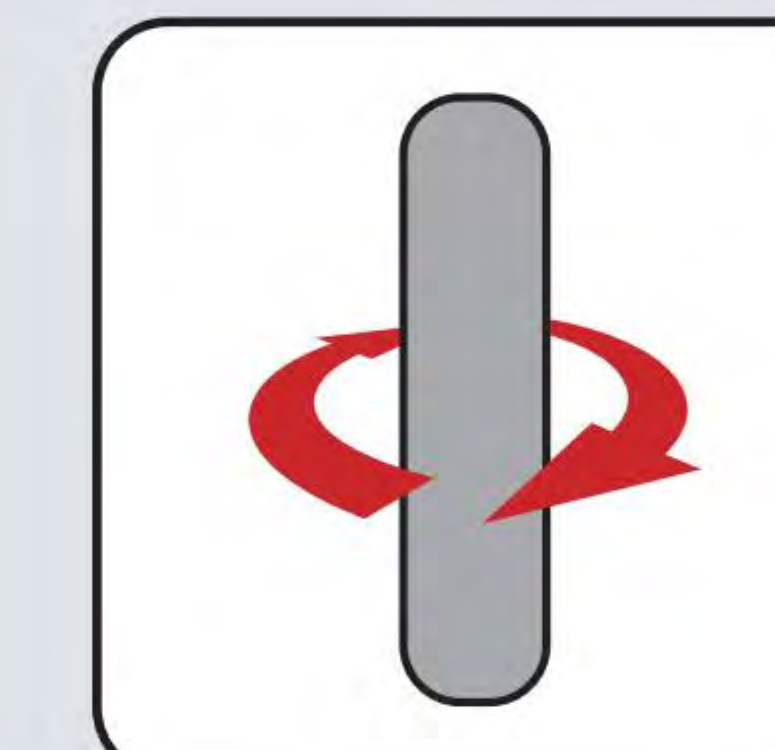
A82

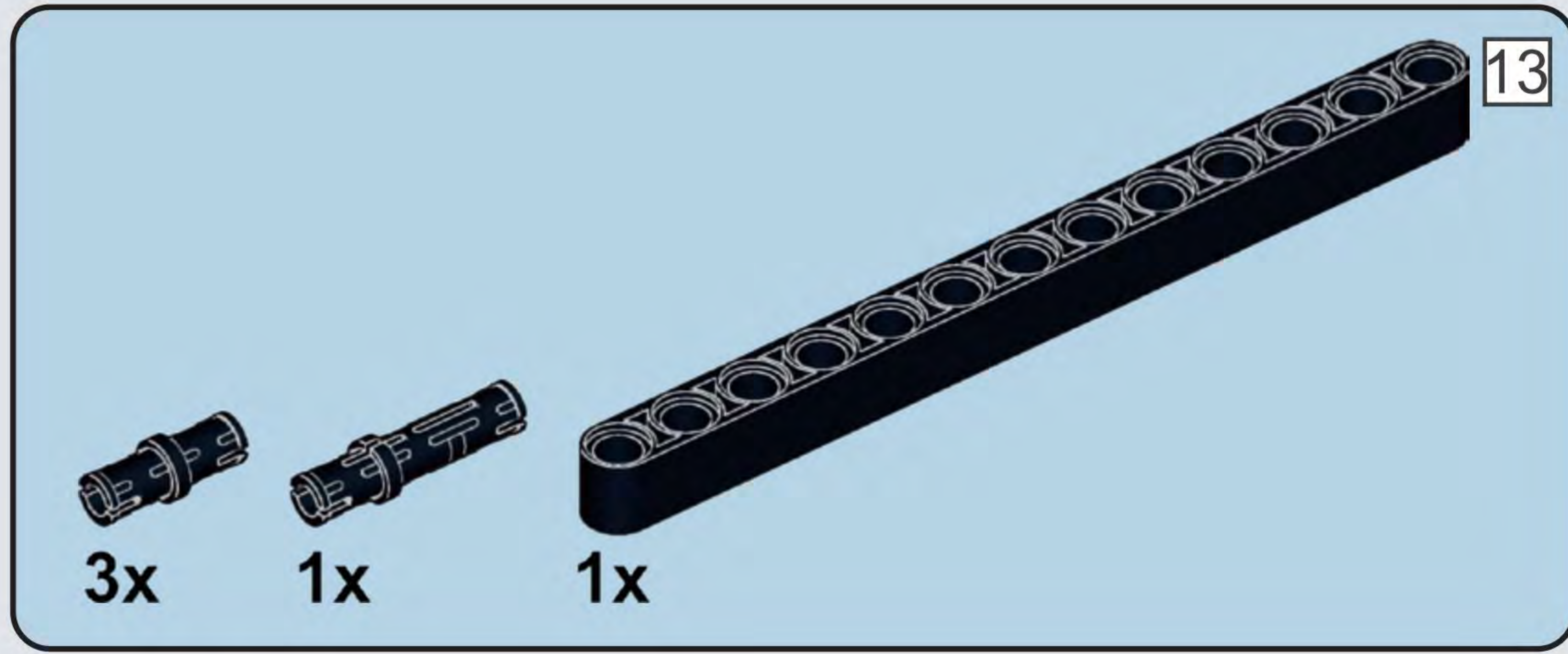


A83

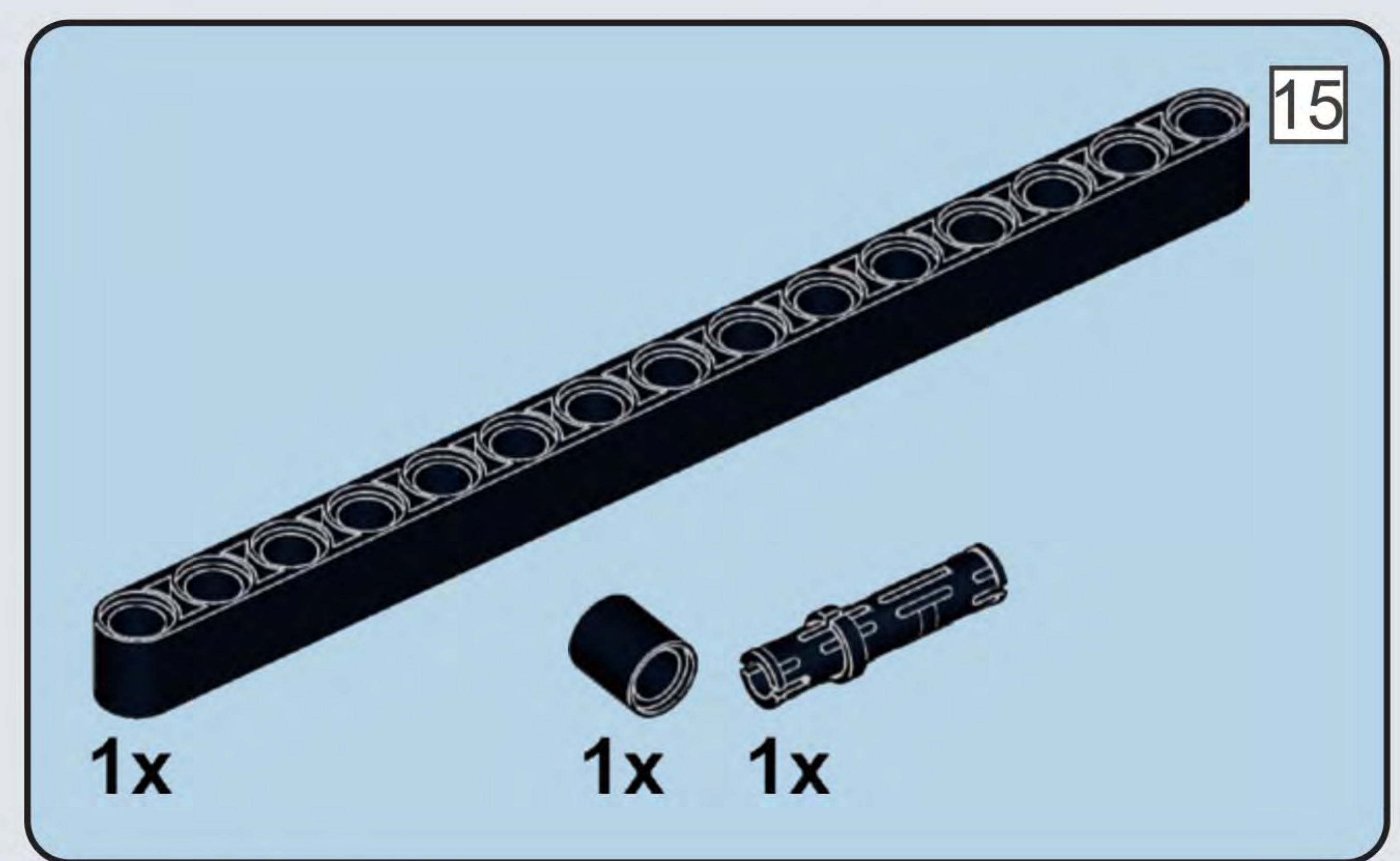
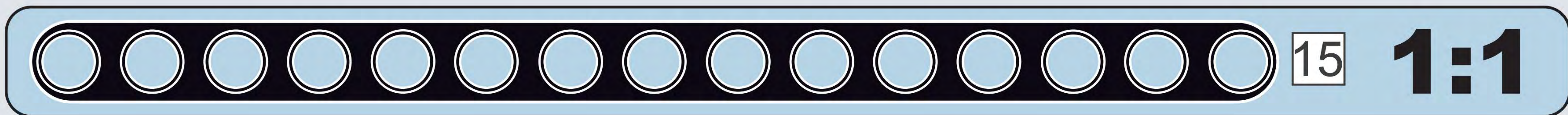
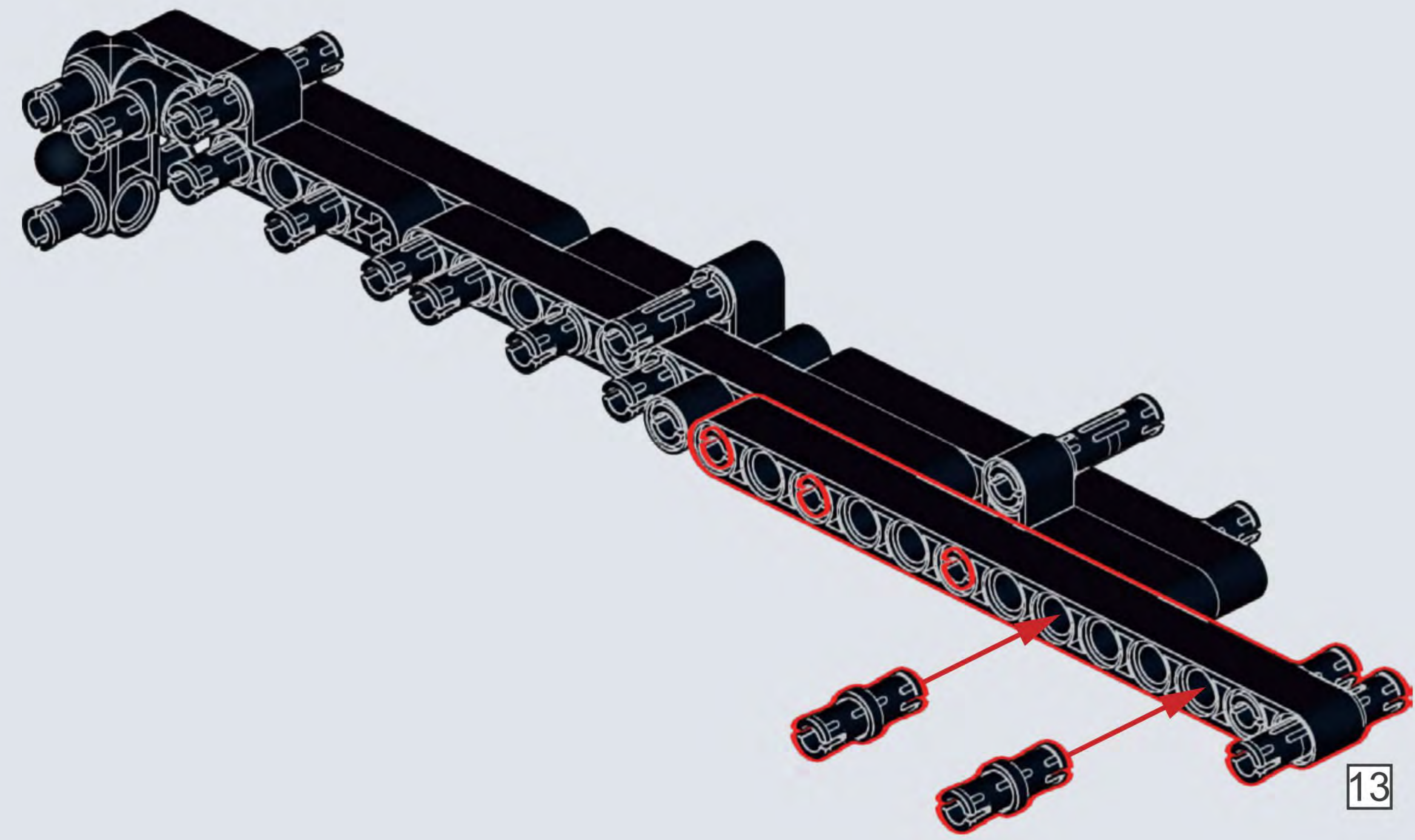


A84

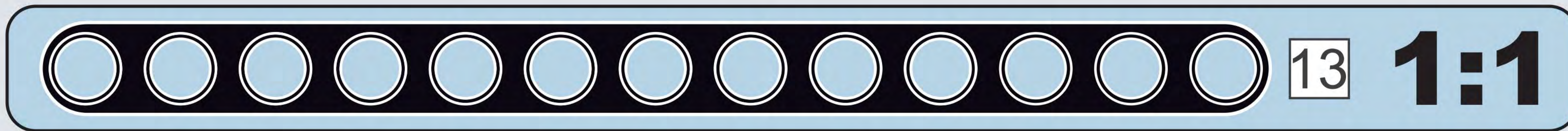
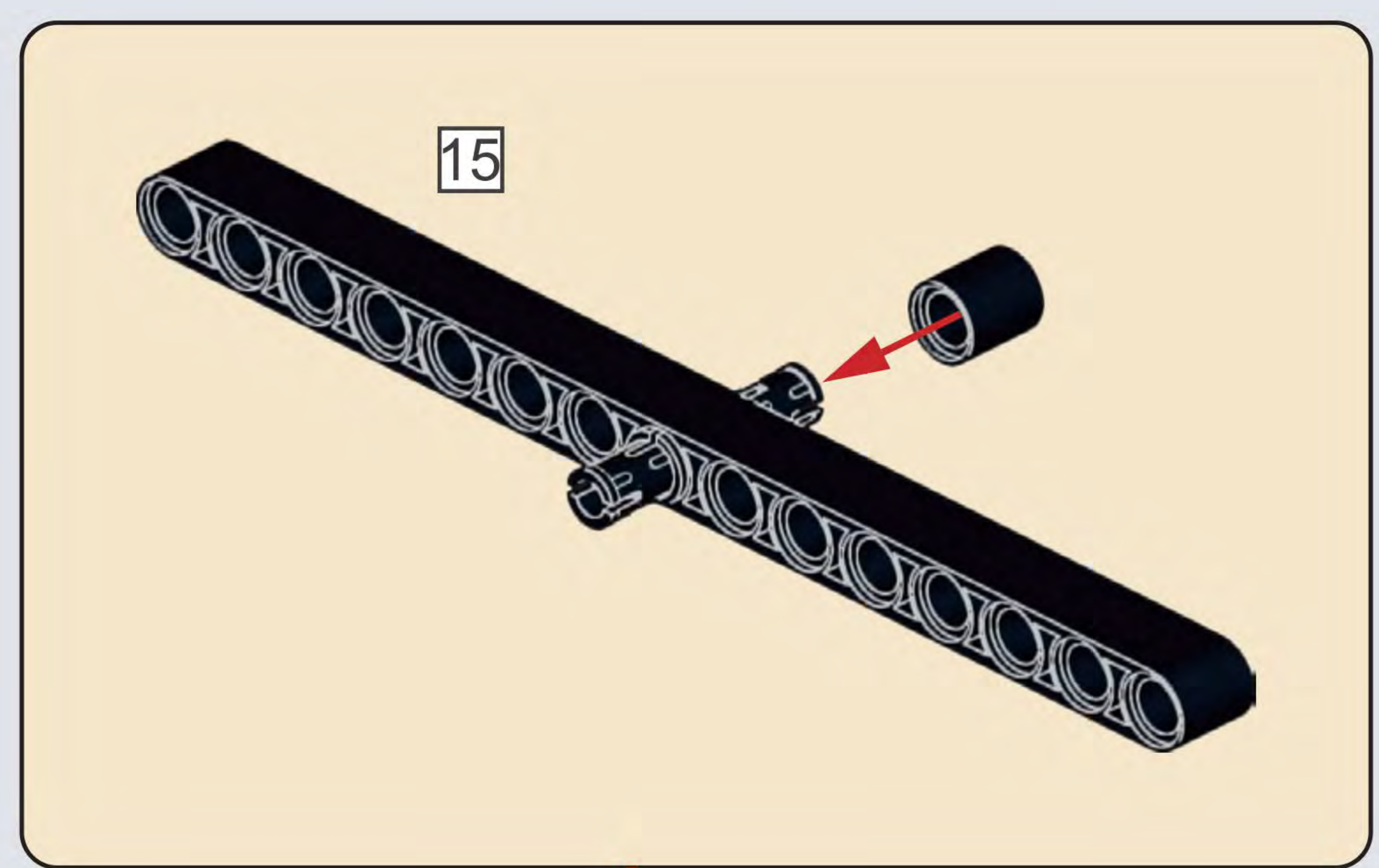
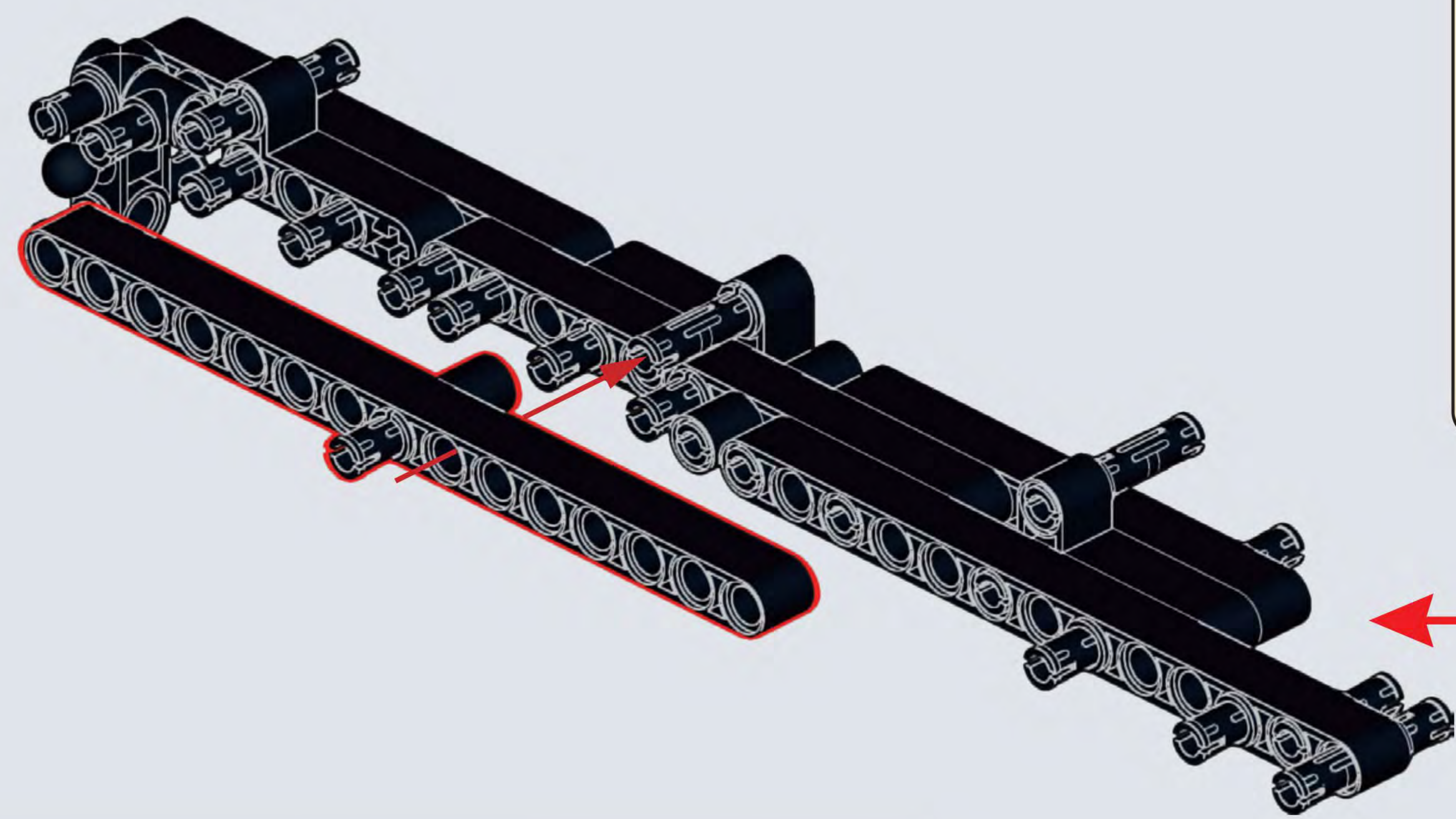


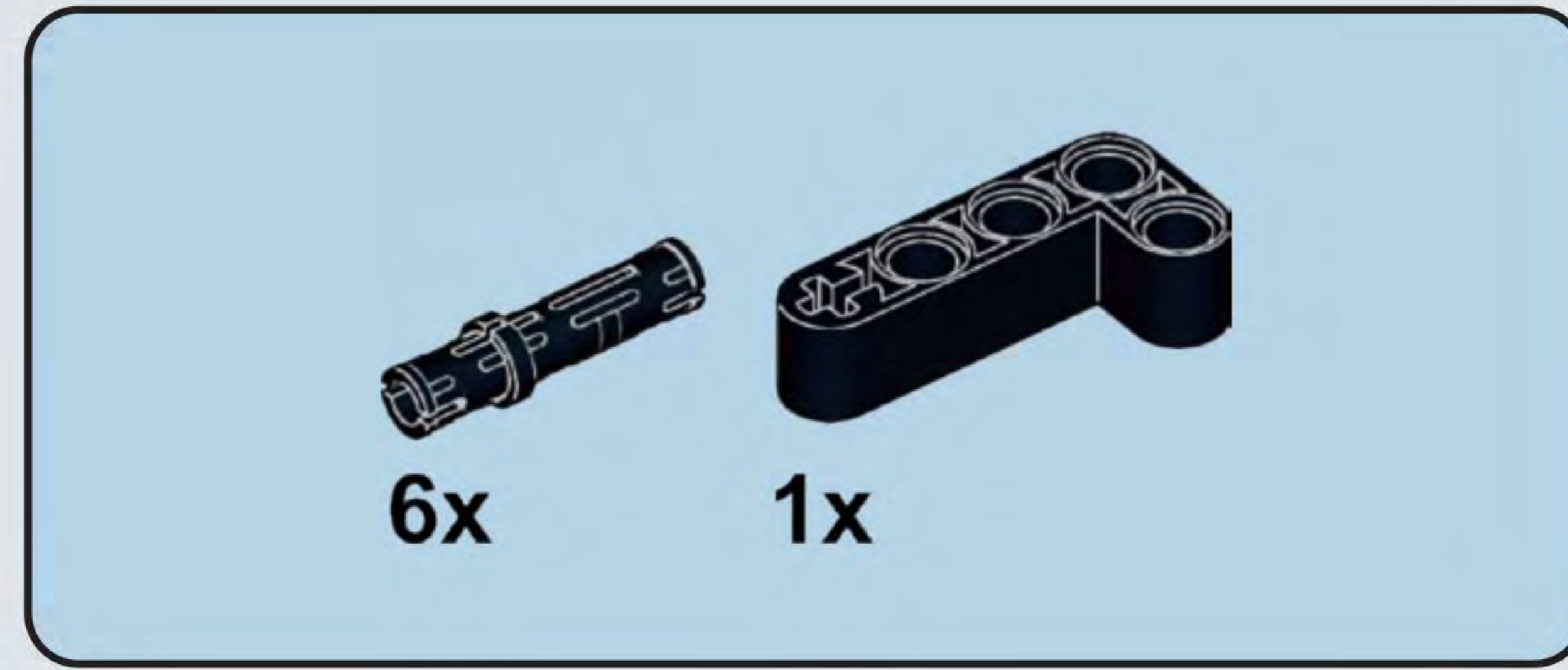


A85

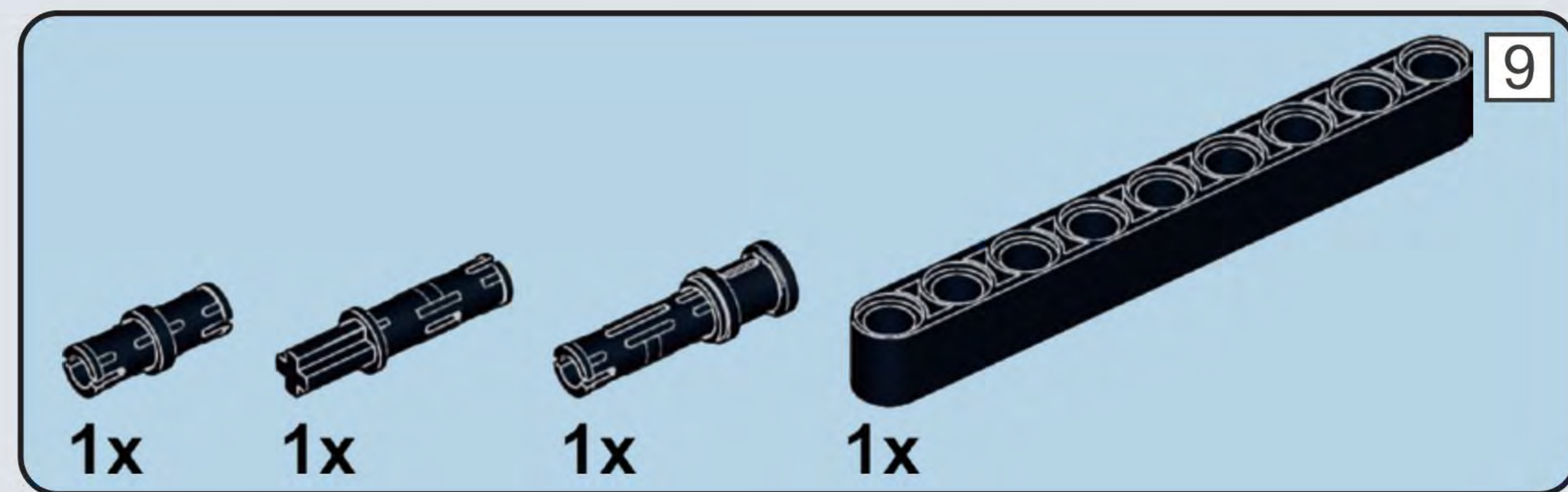
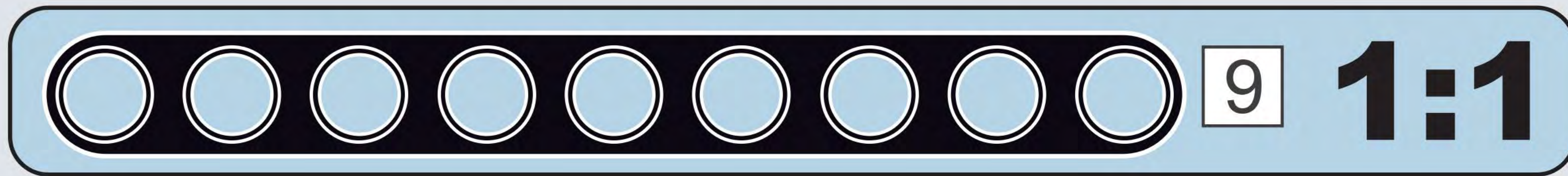
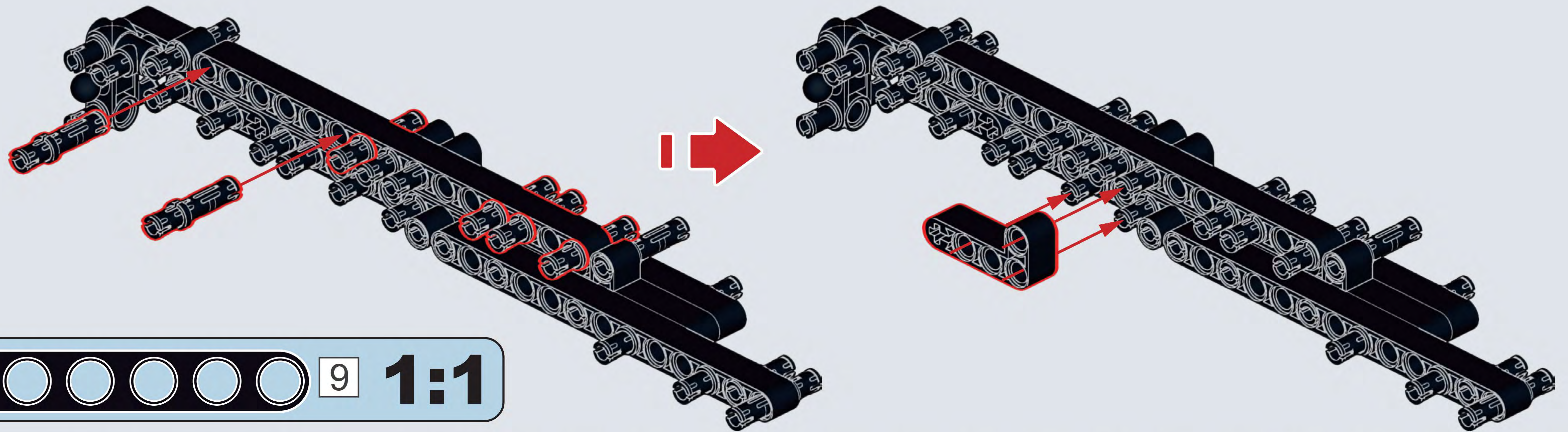


A86

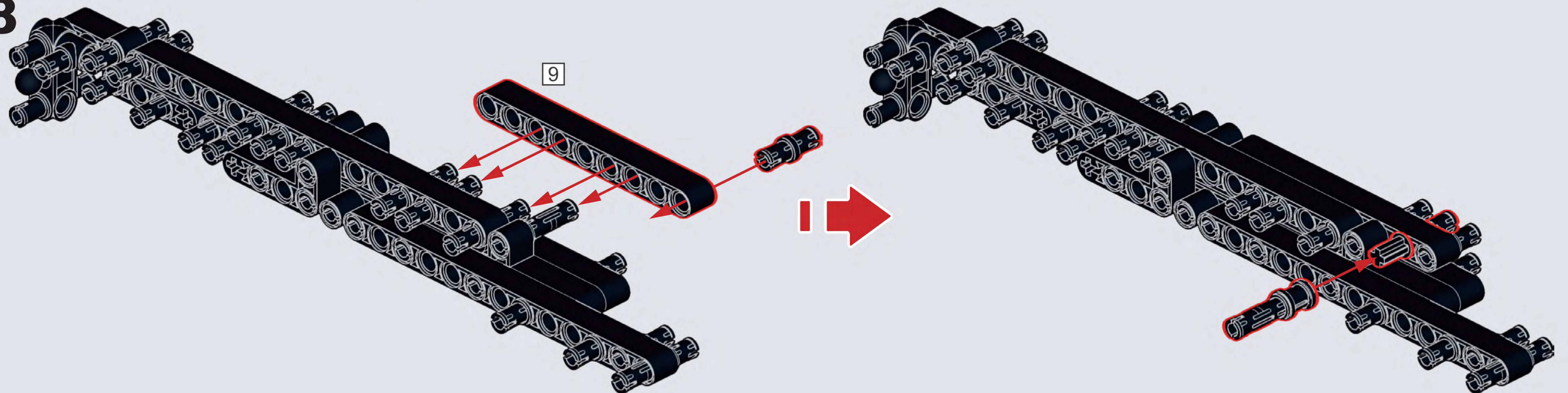


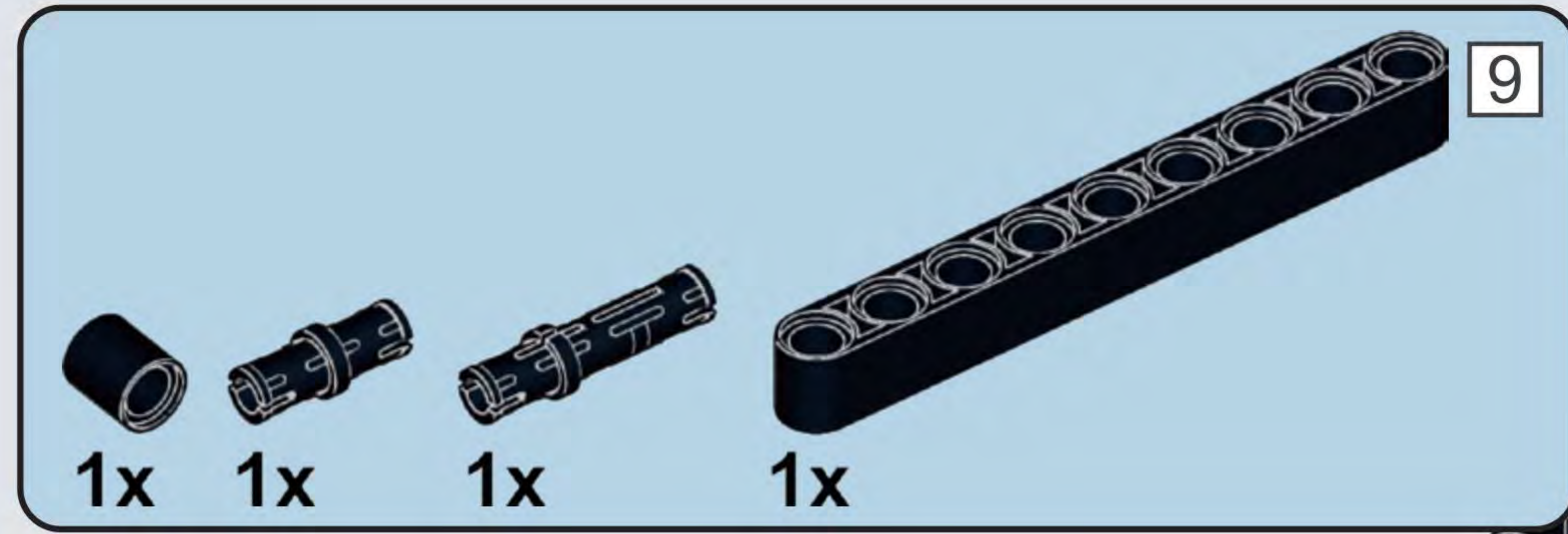


A87

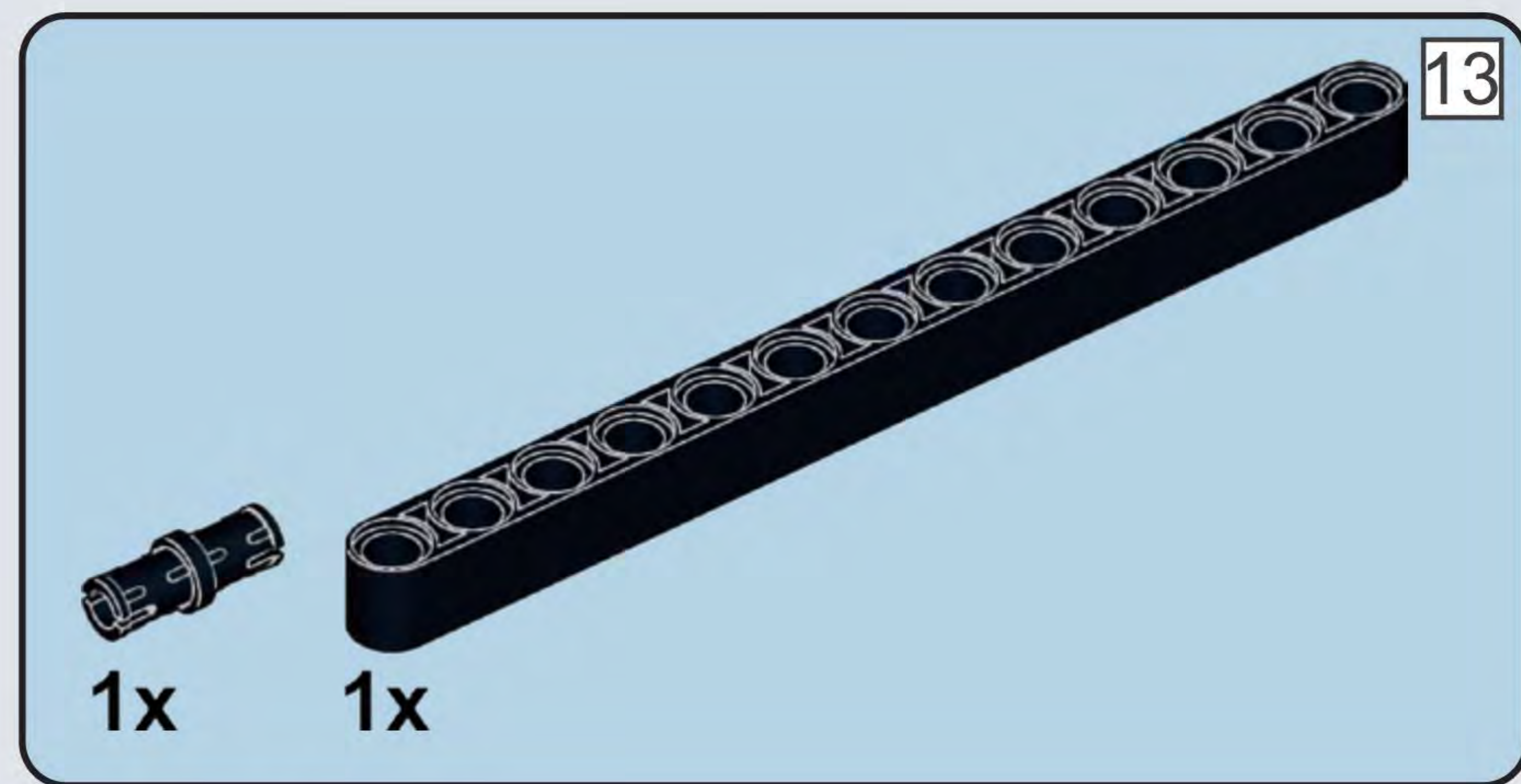
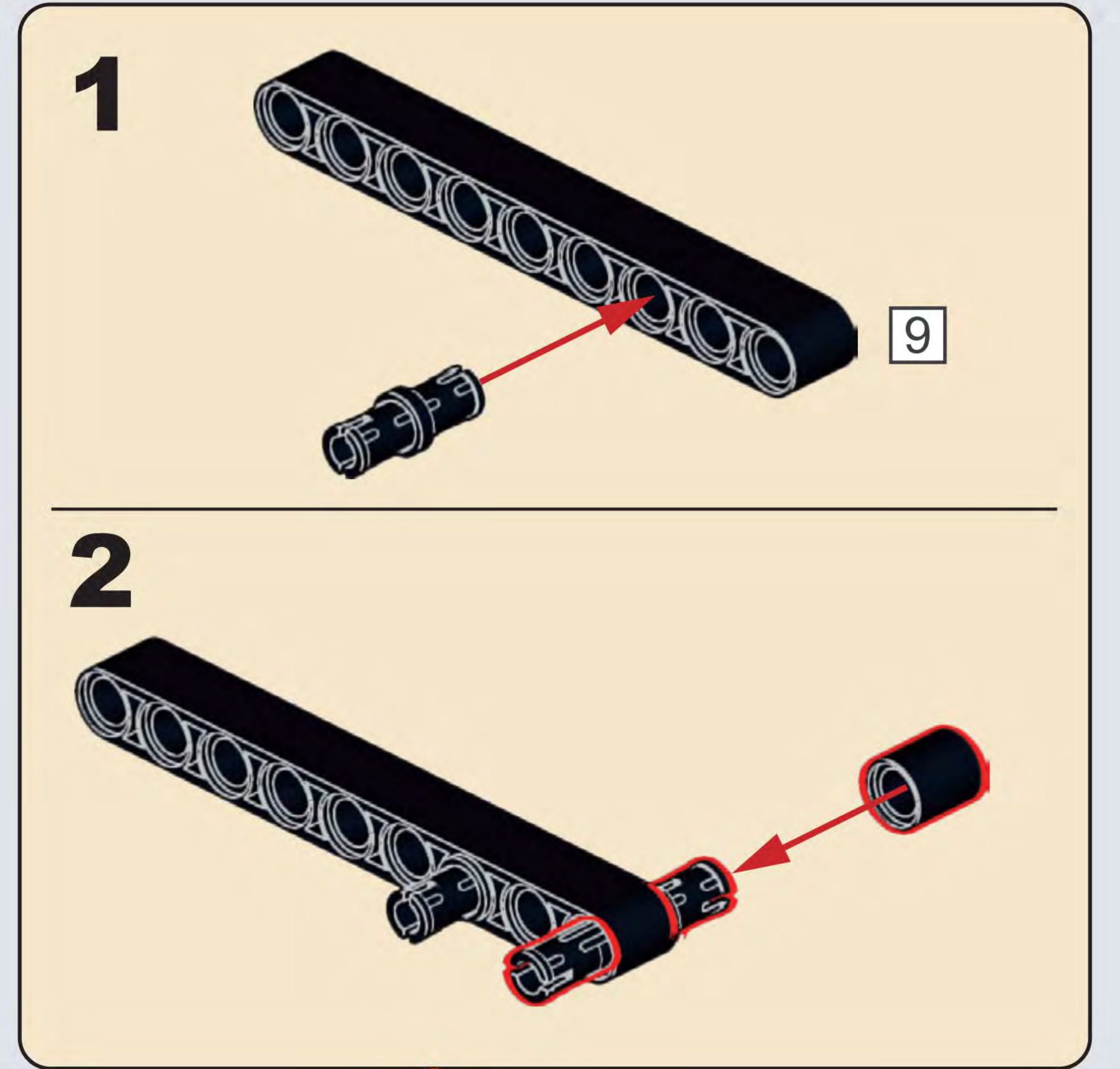
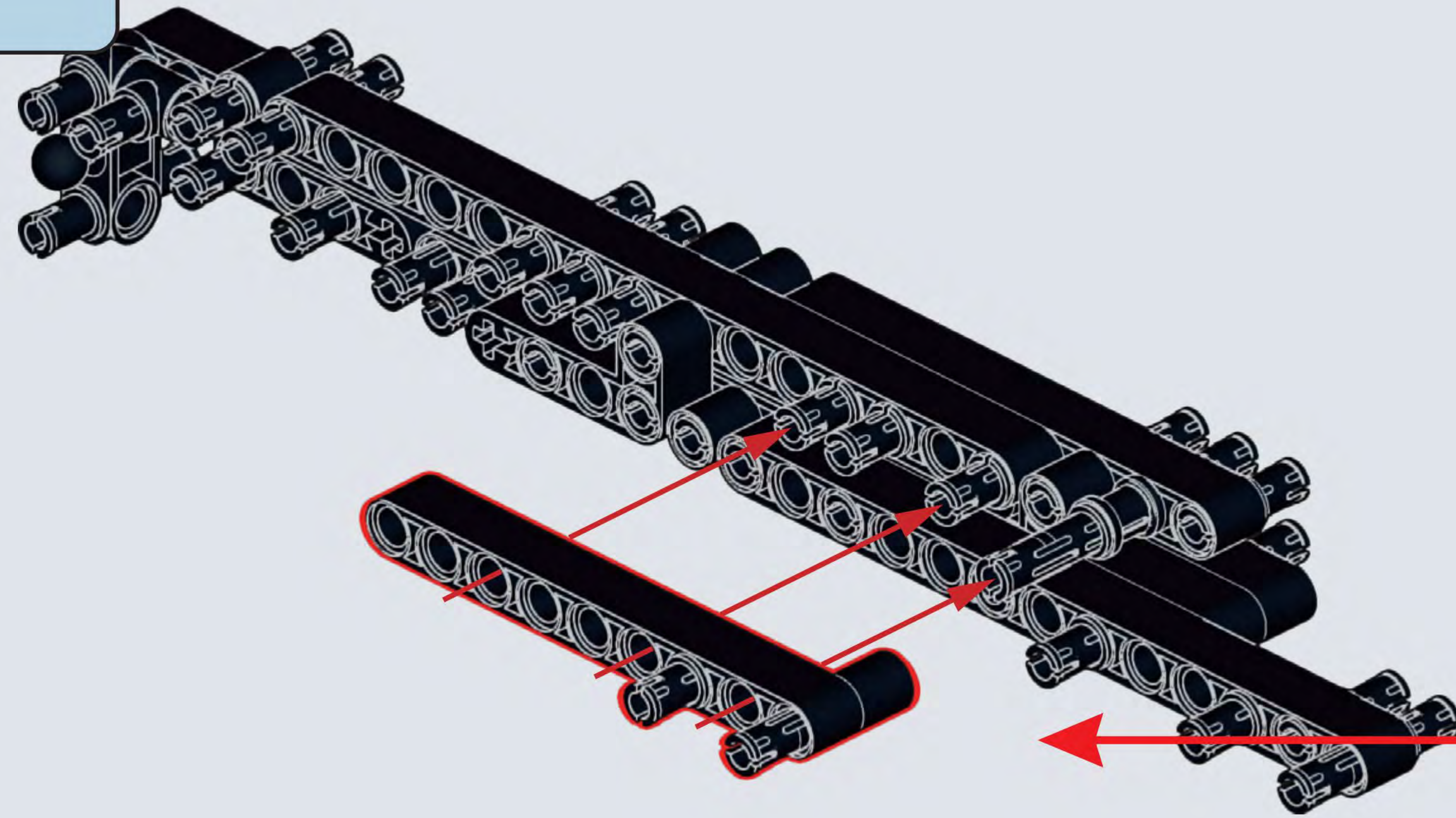


A88

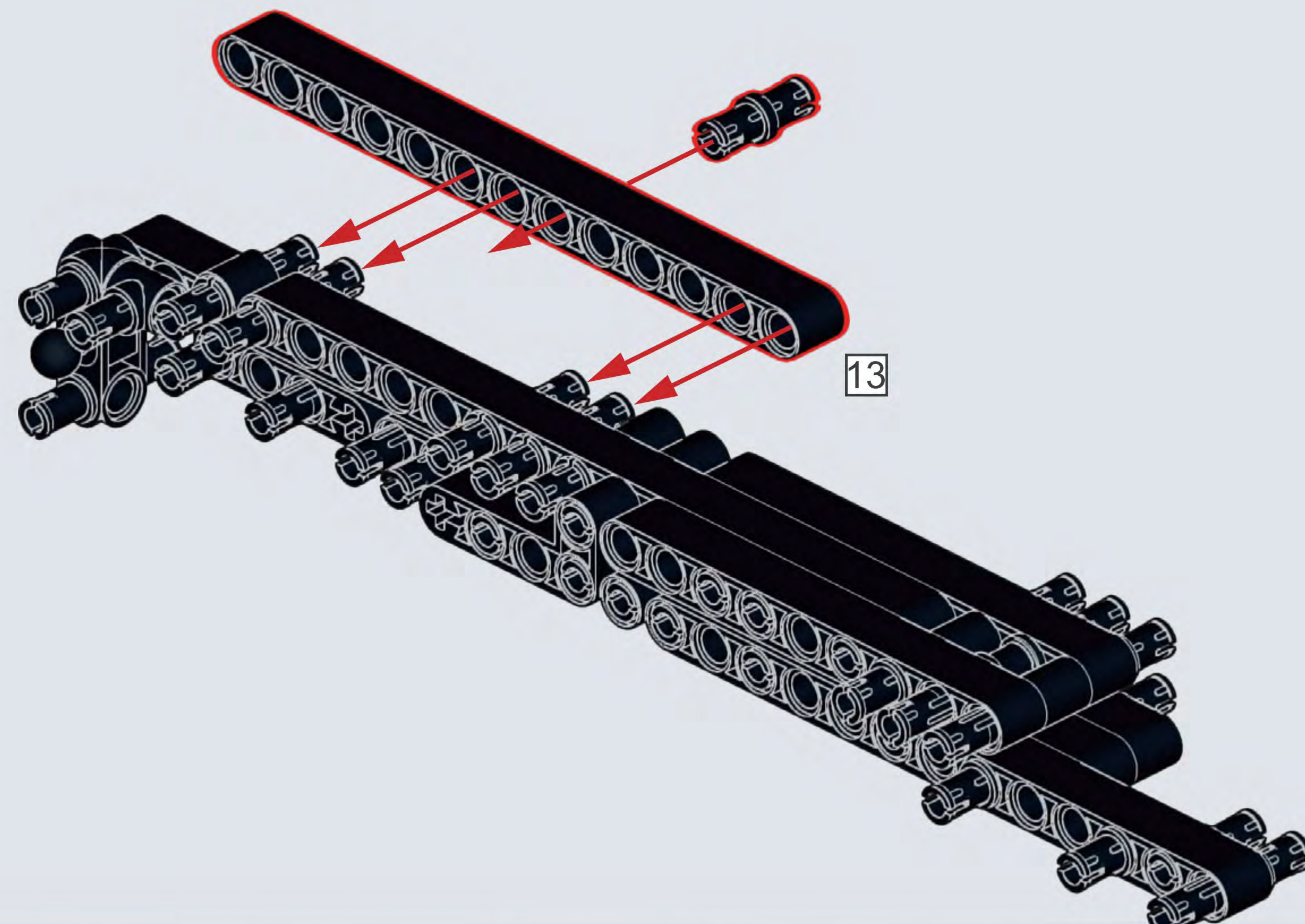


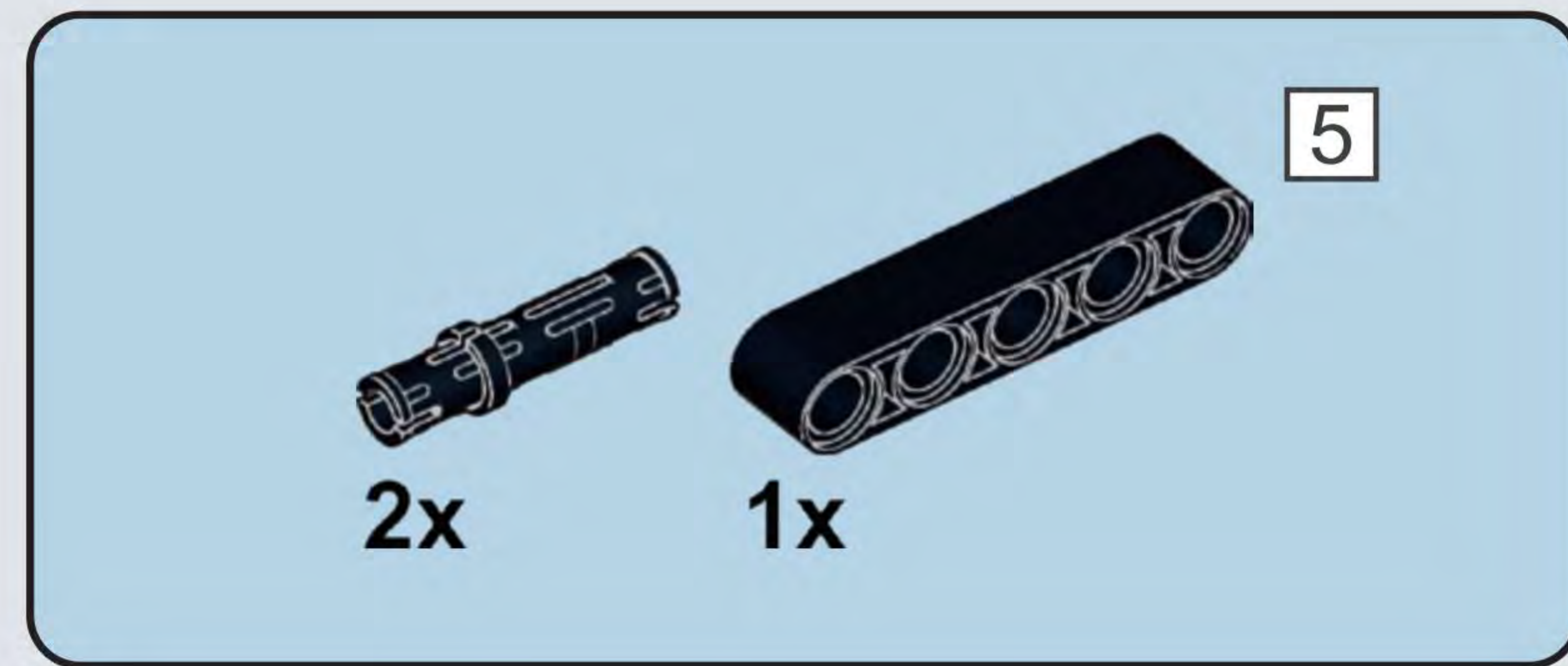


A89

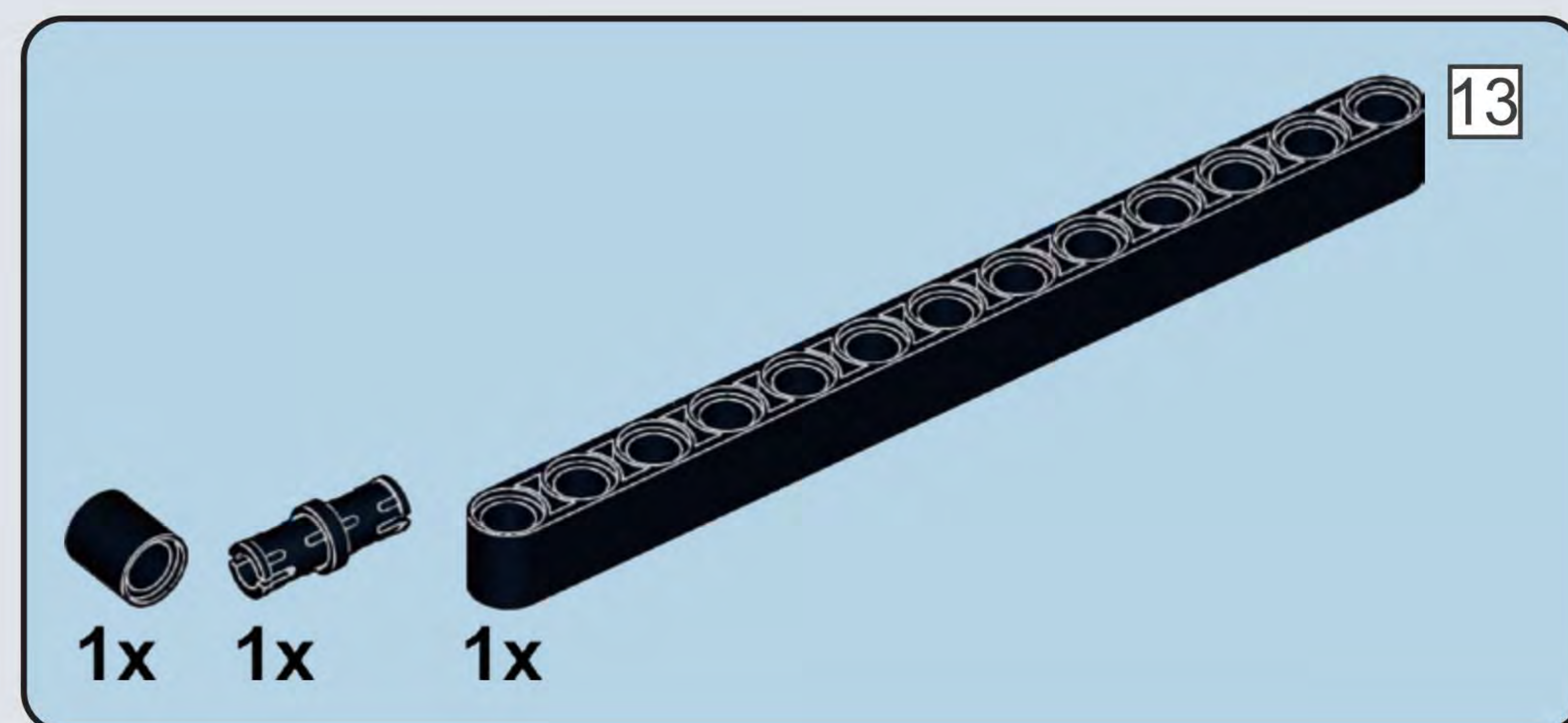
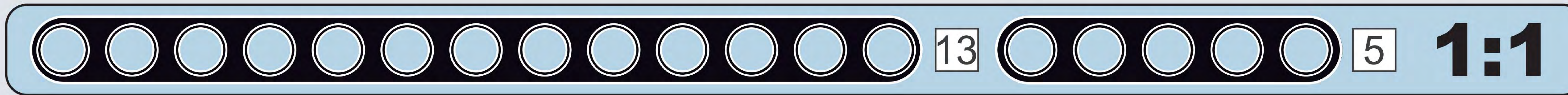
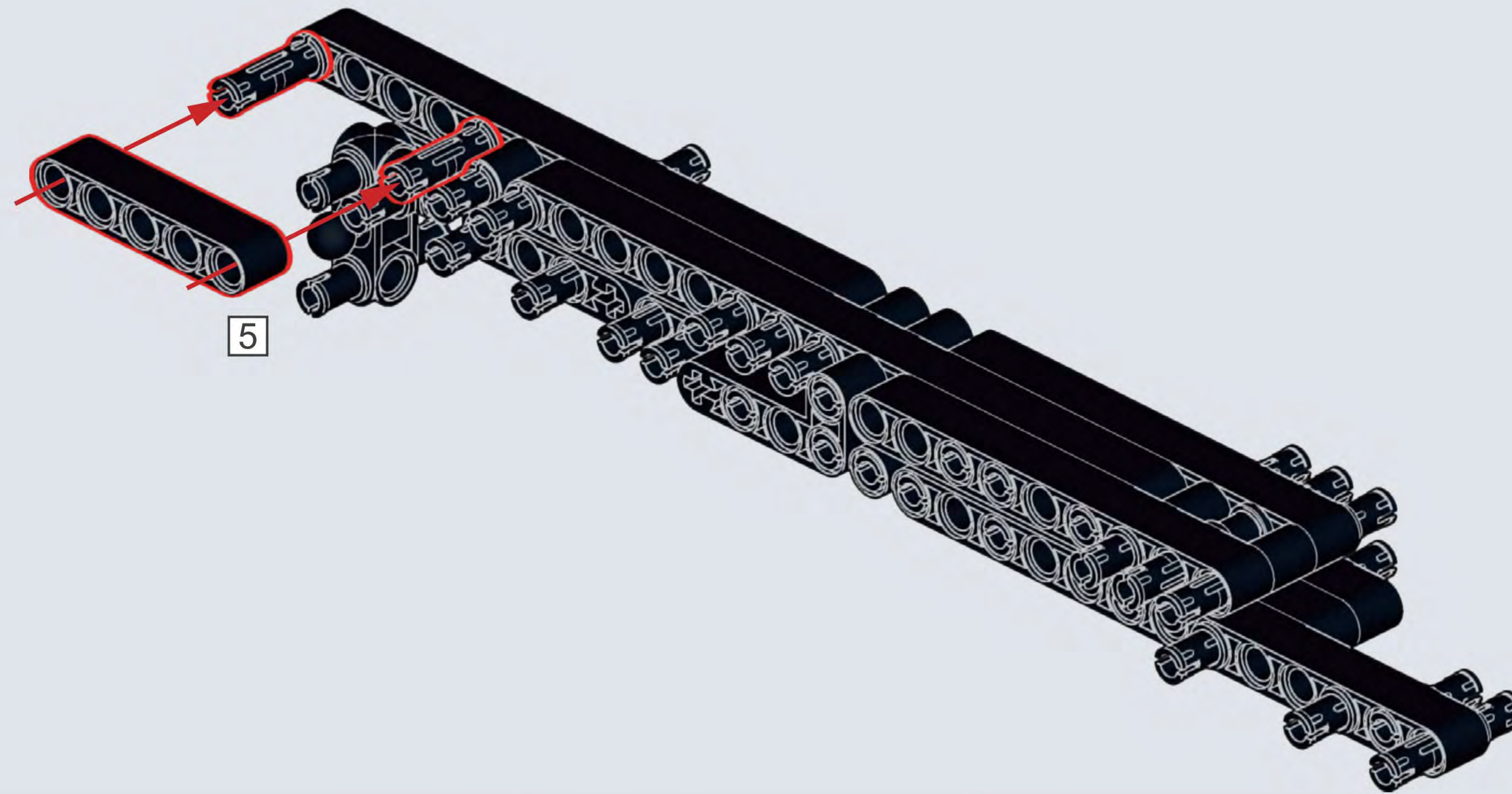


A90

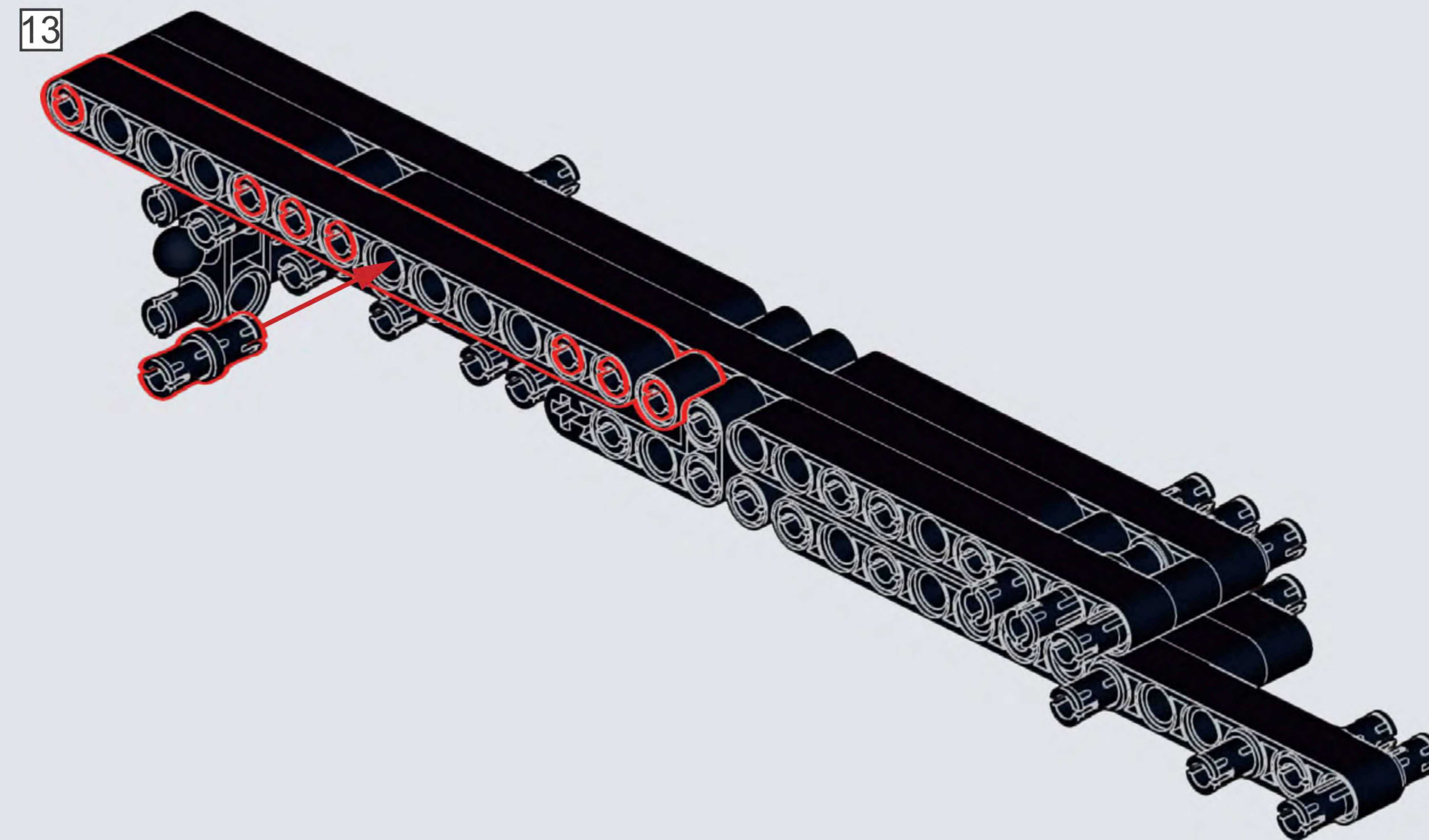


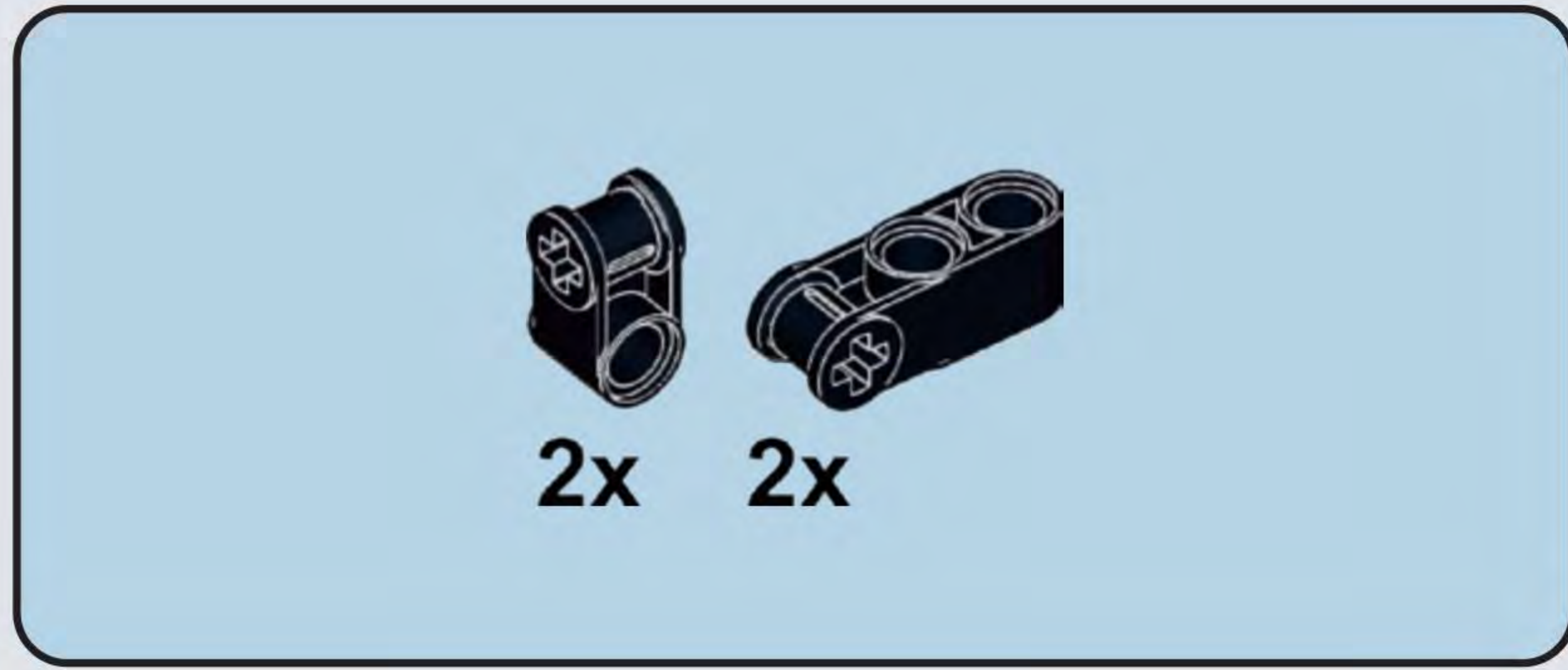


A91

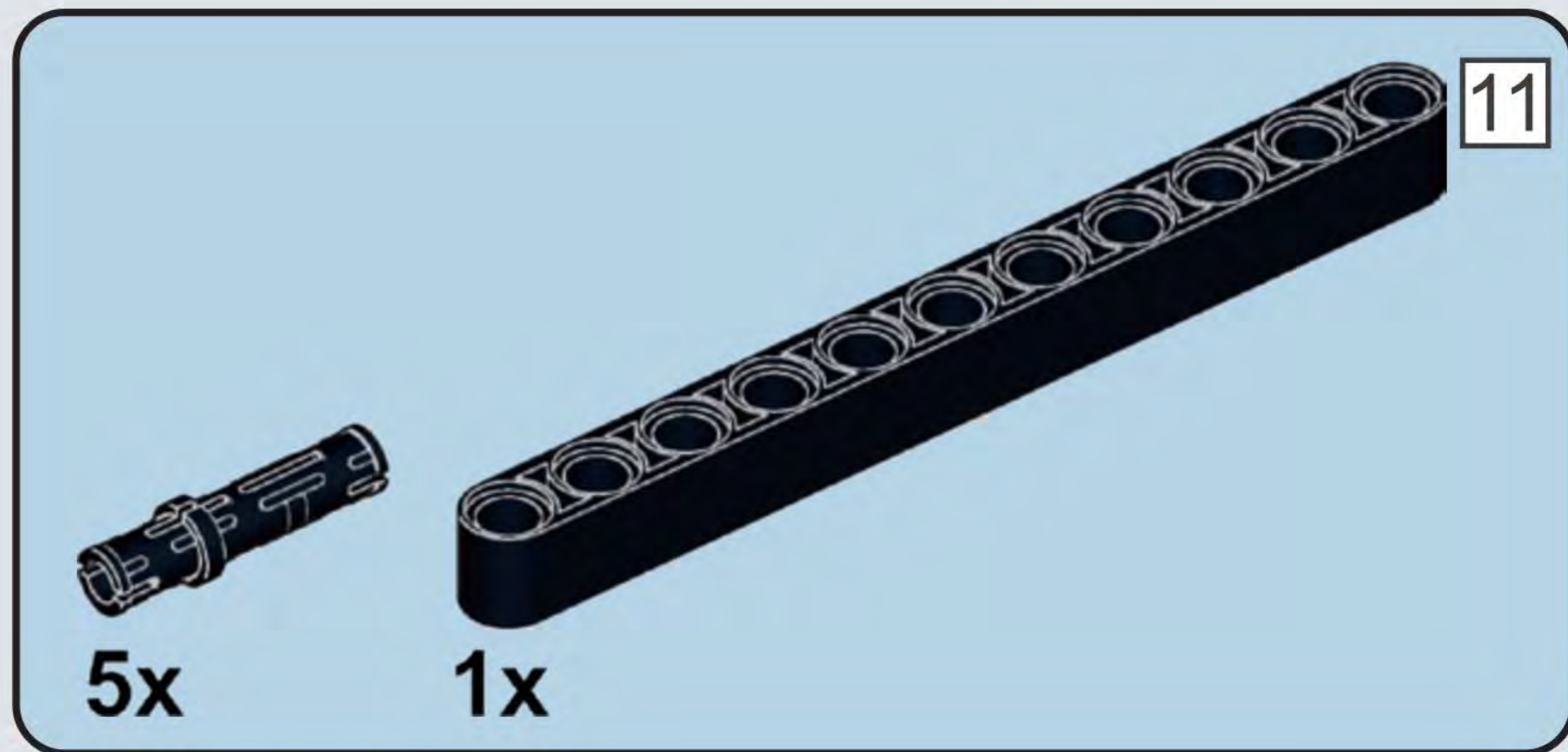
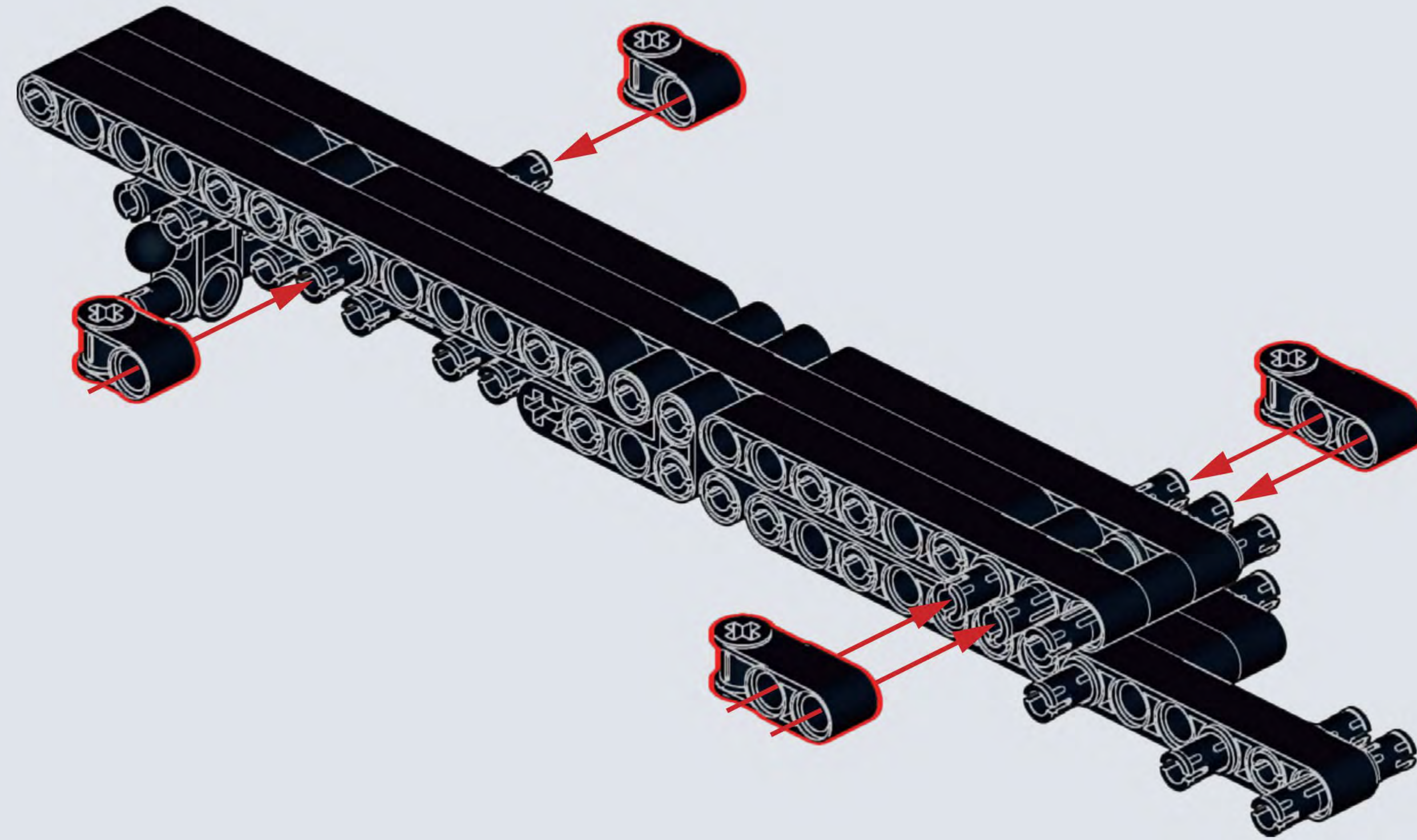


A92

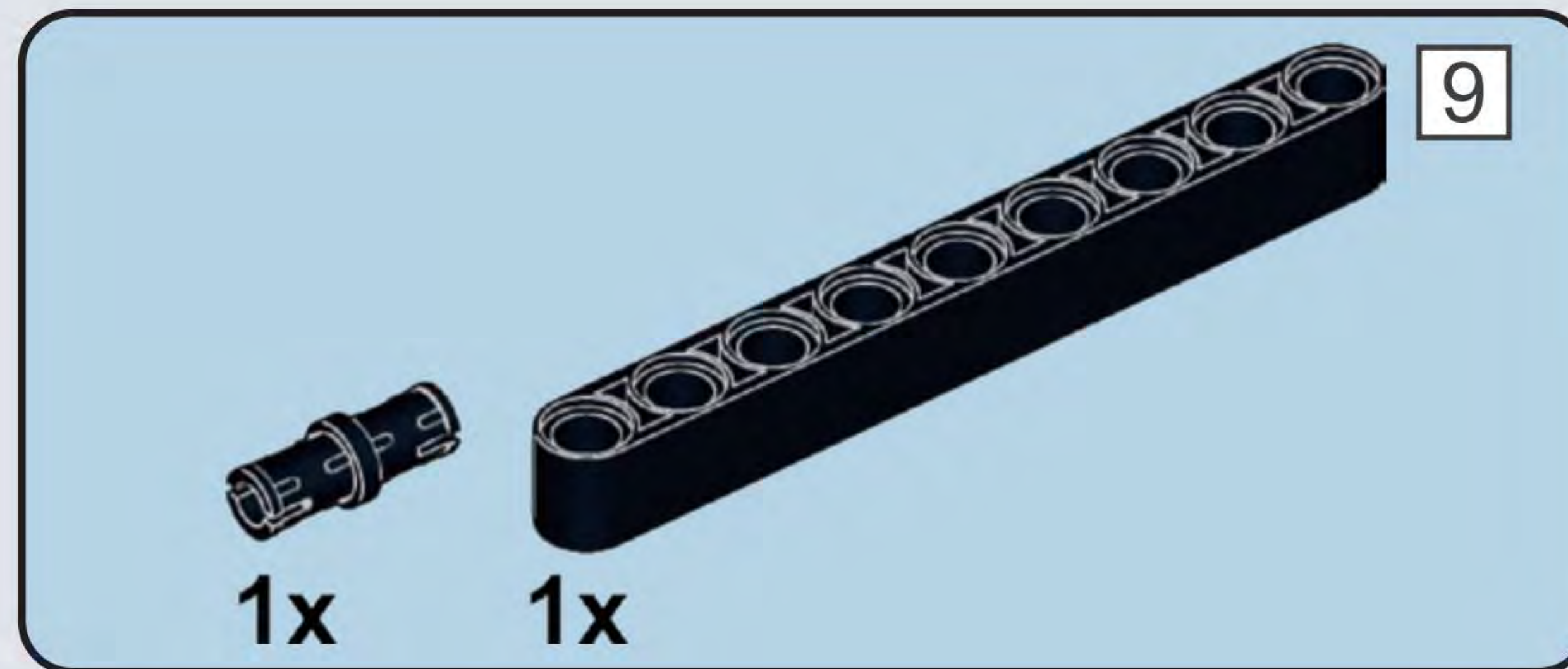
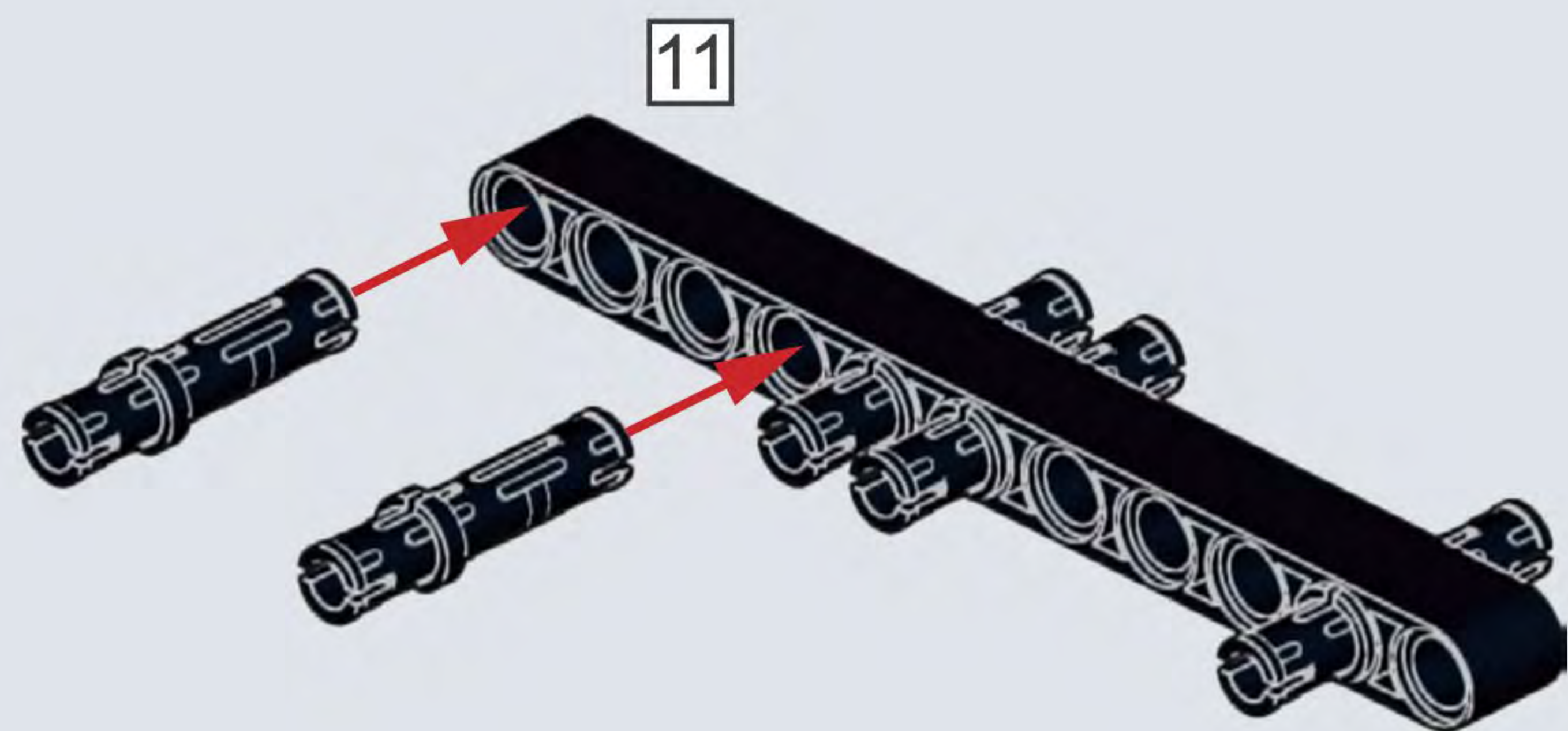




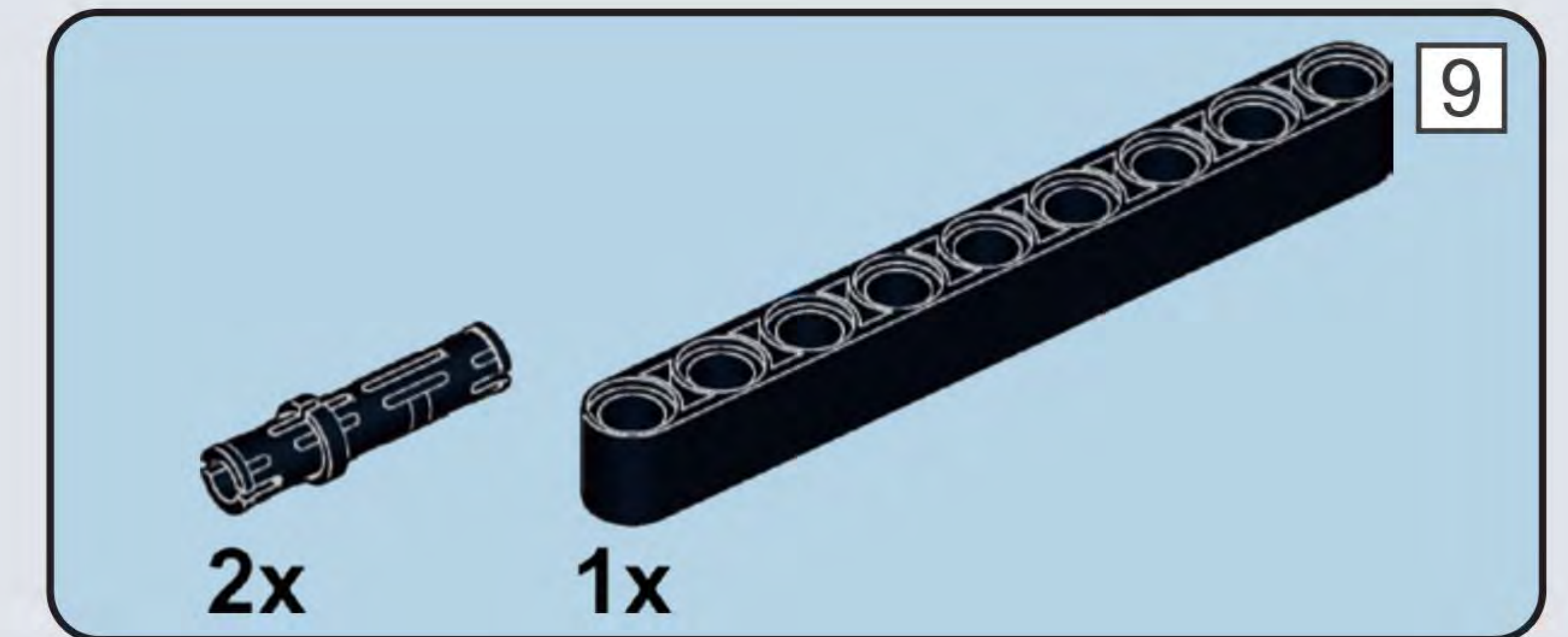
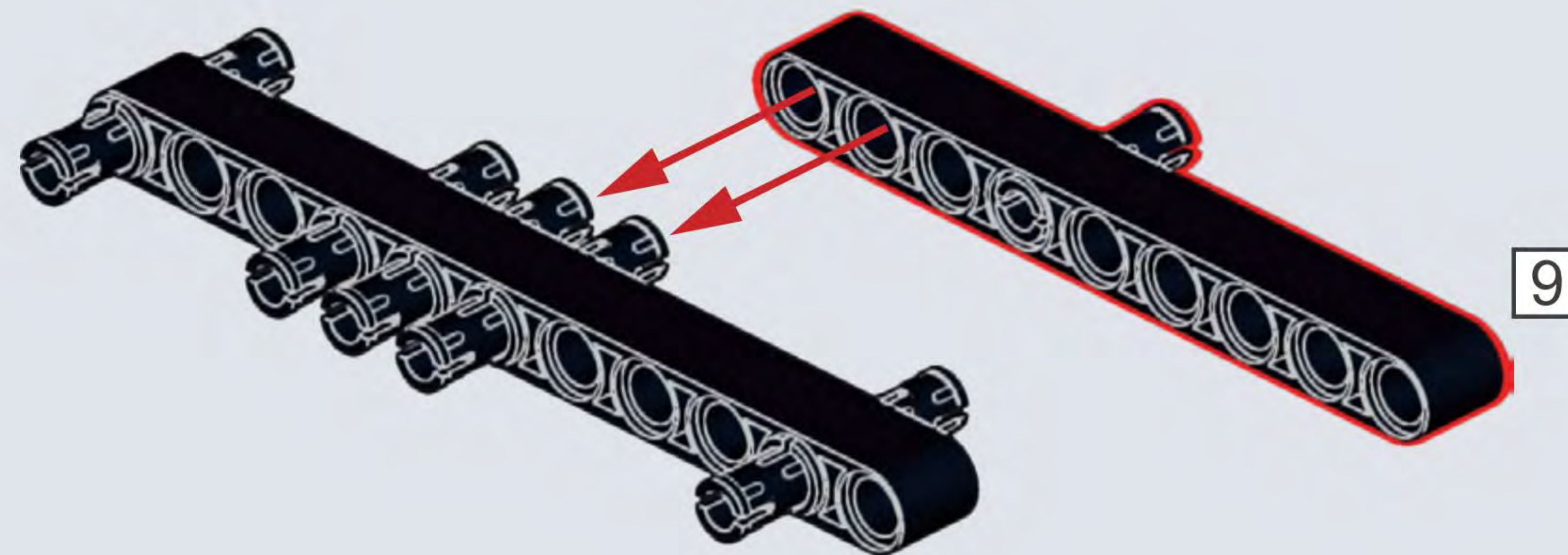
A93



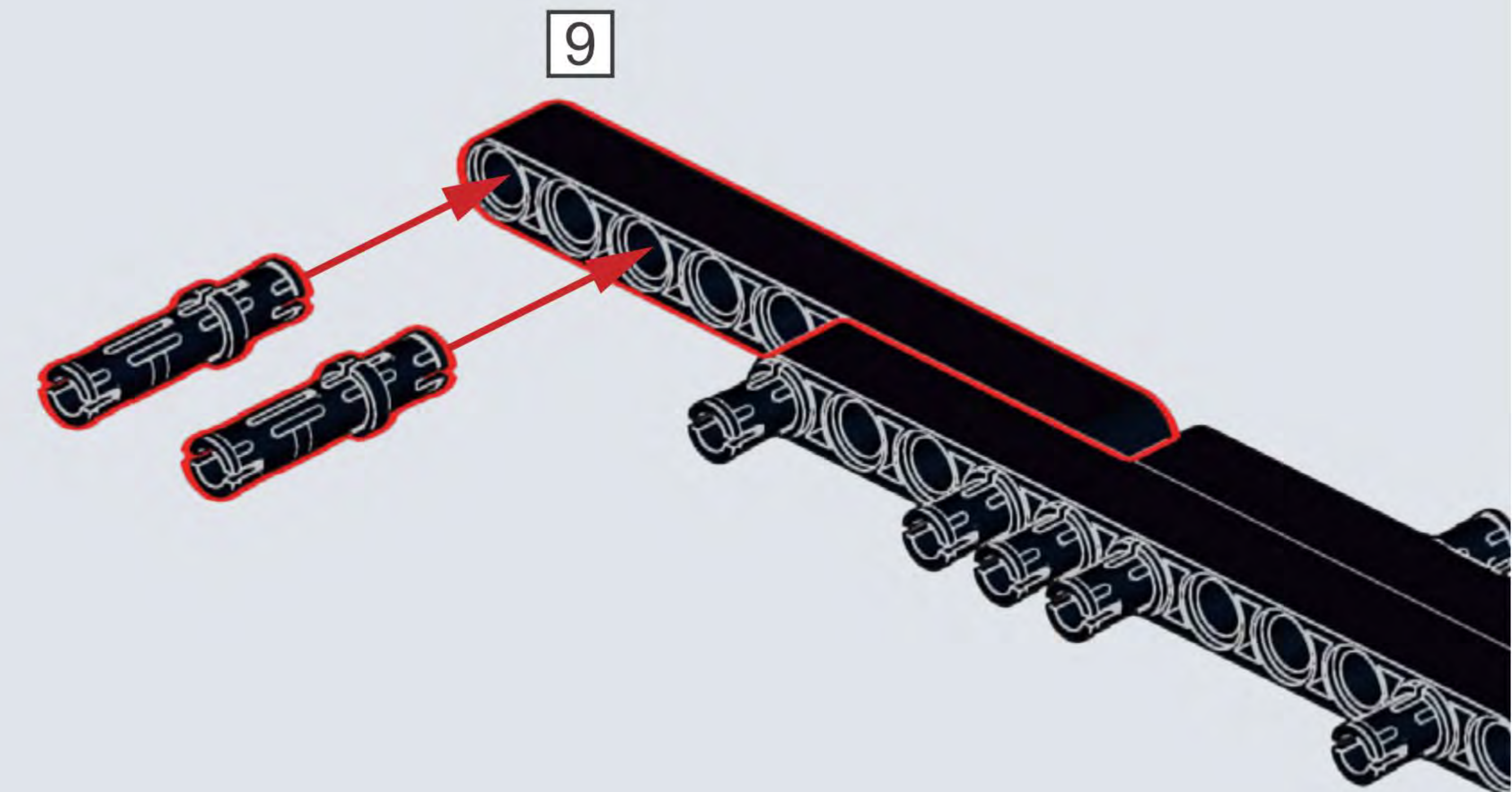
A94

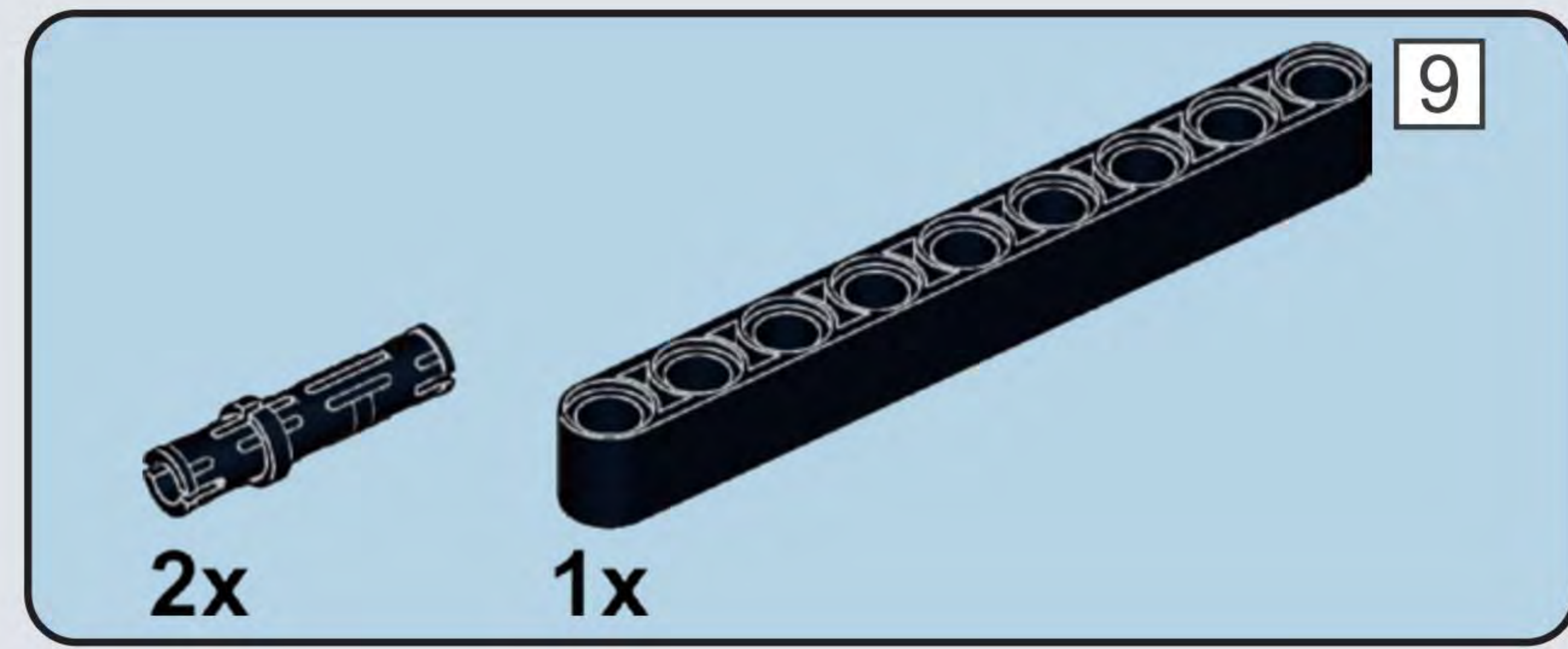


A95

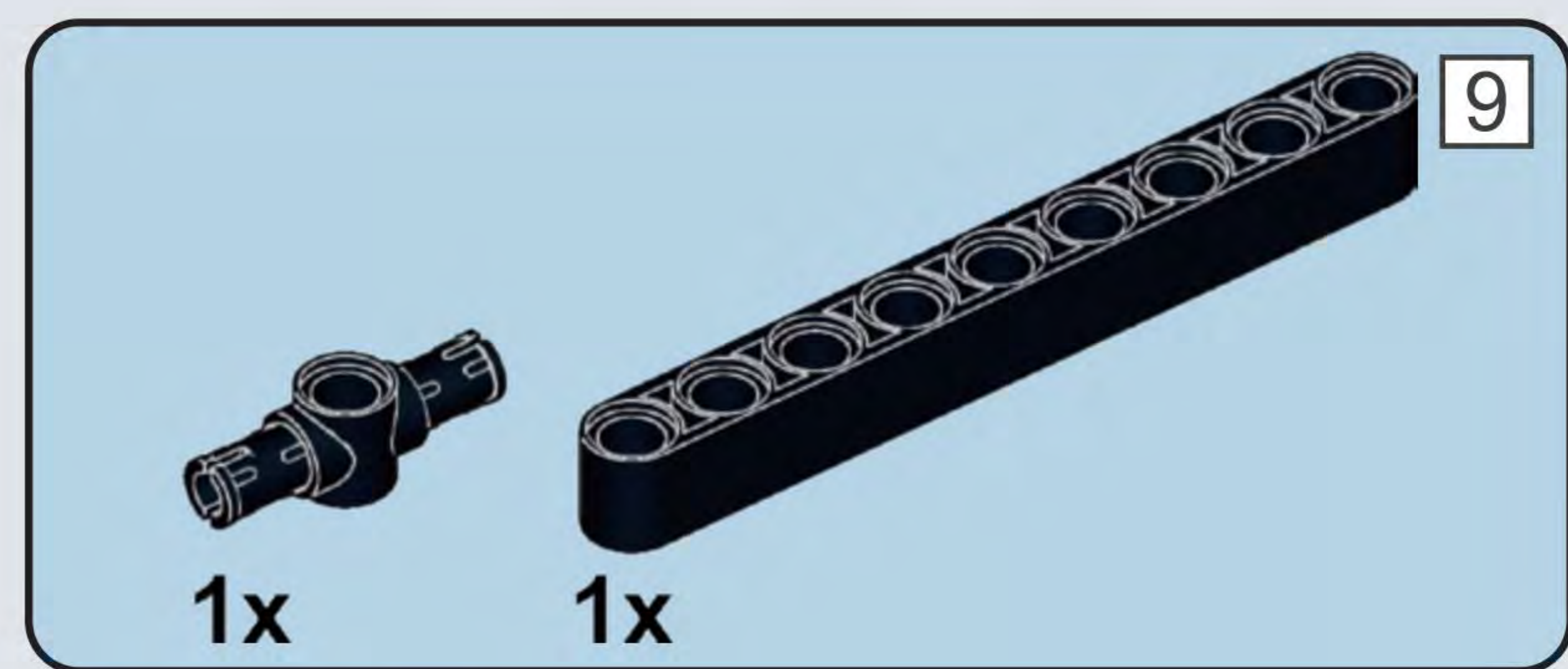
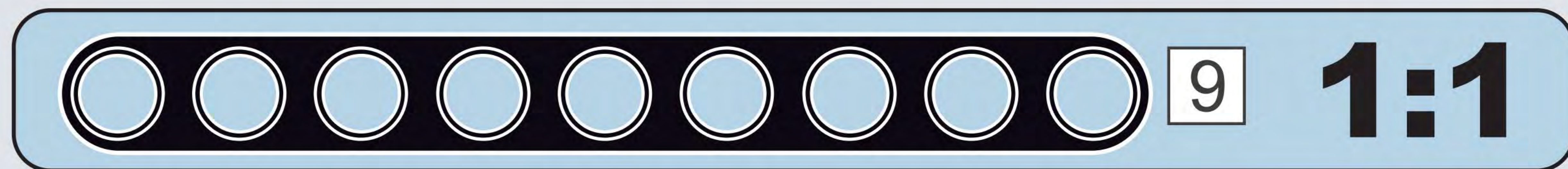
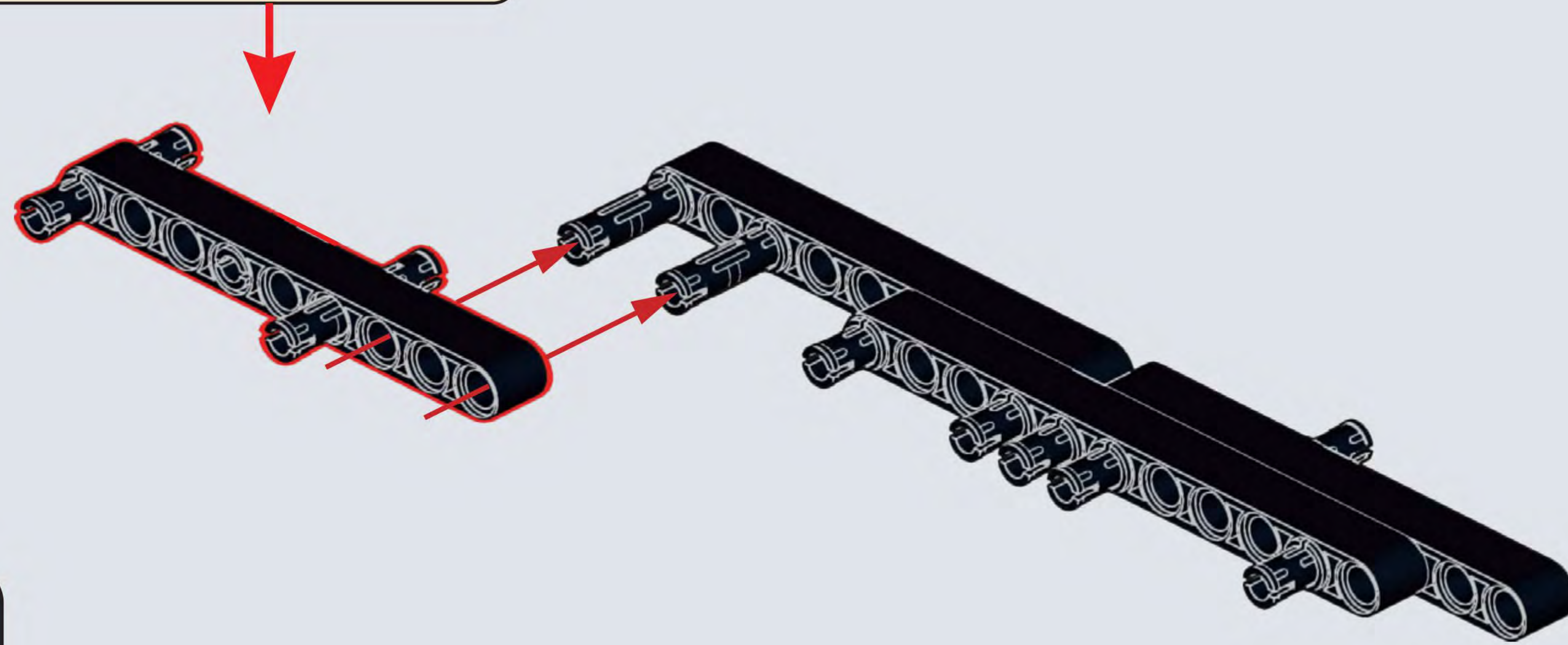
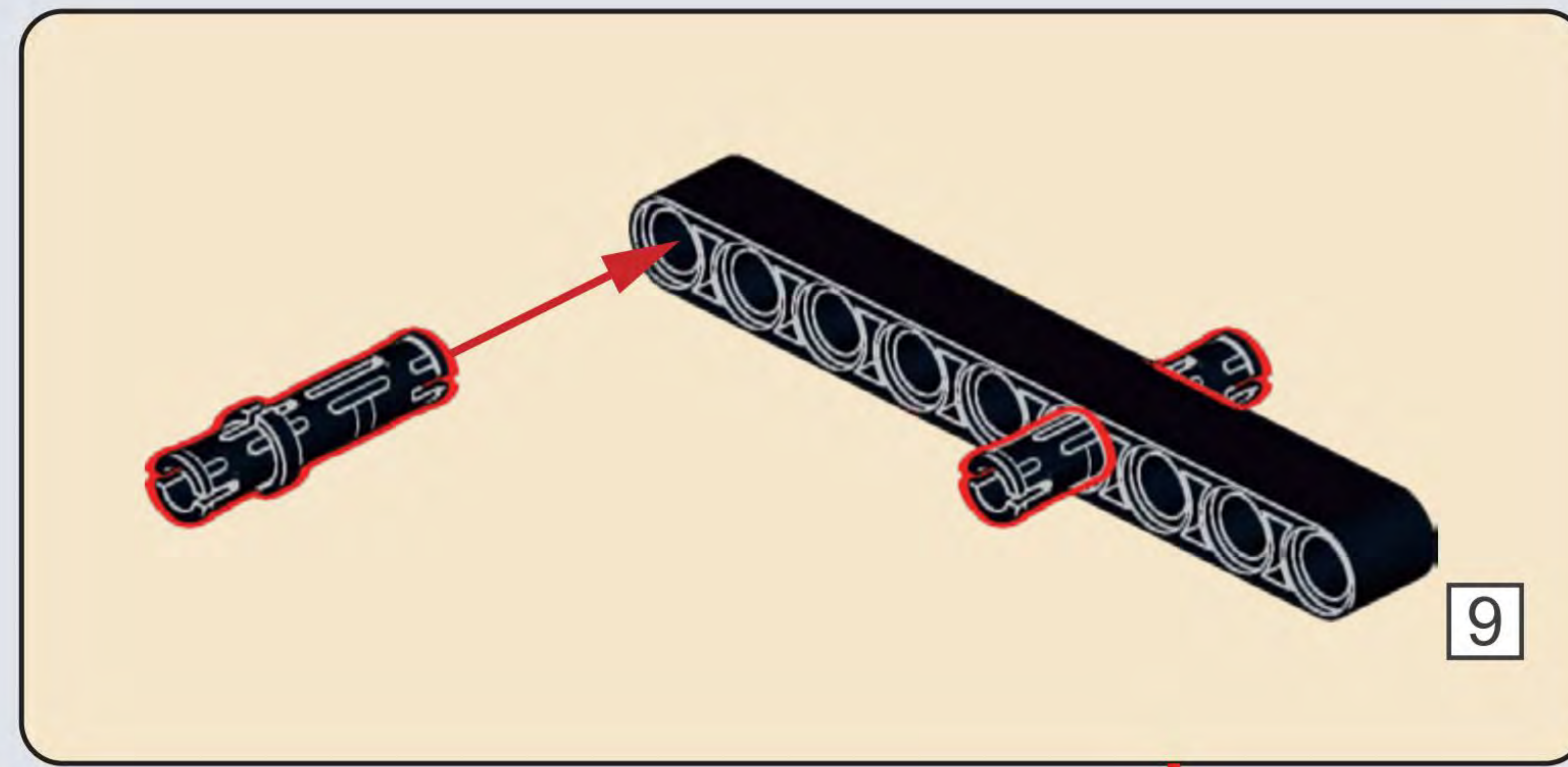


A96

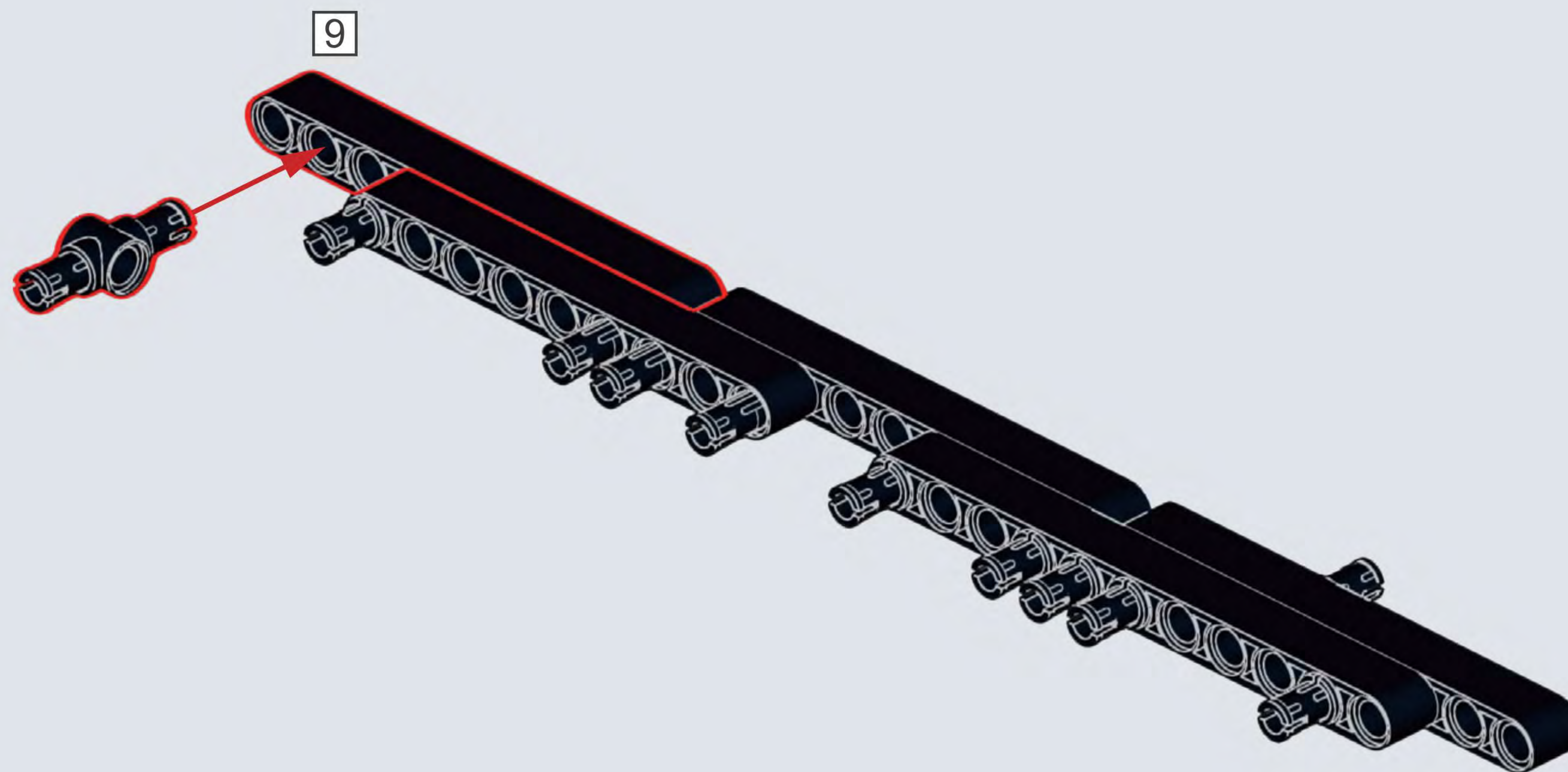


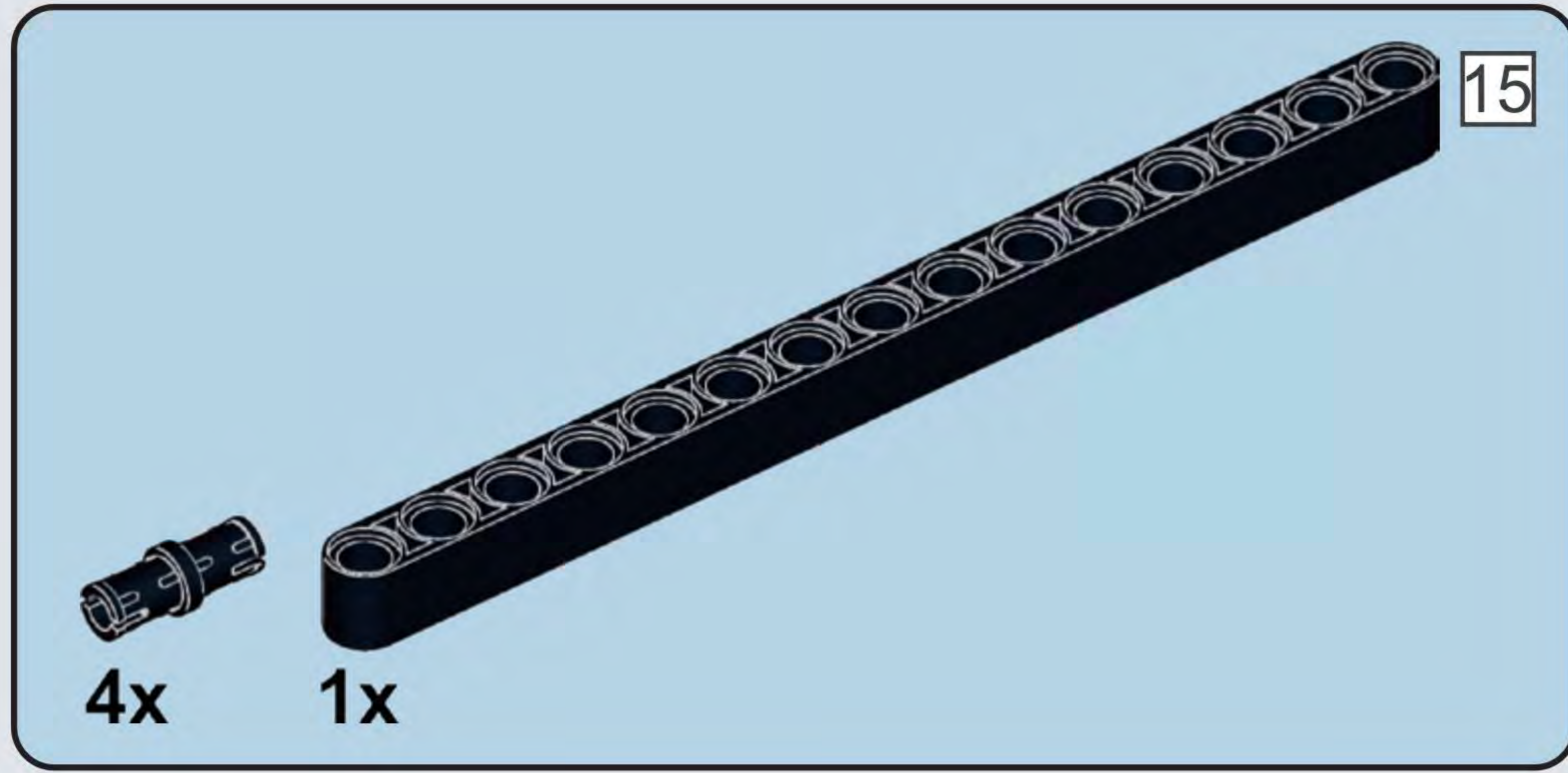


A97

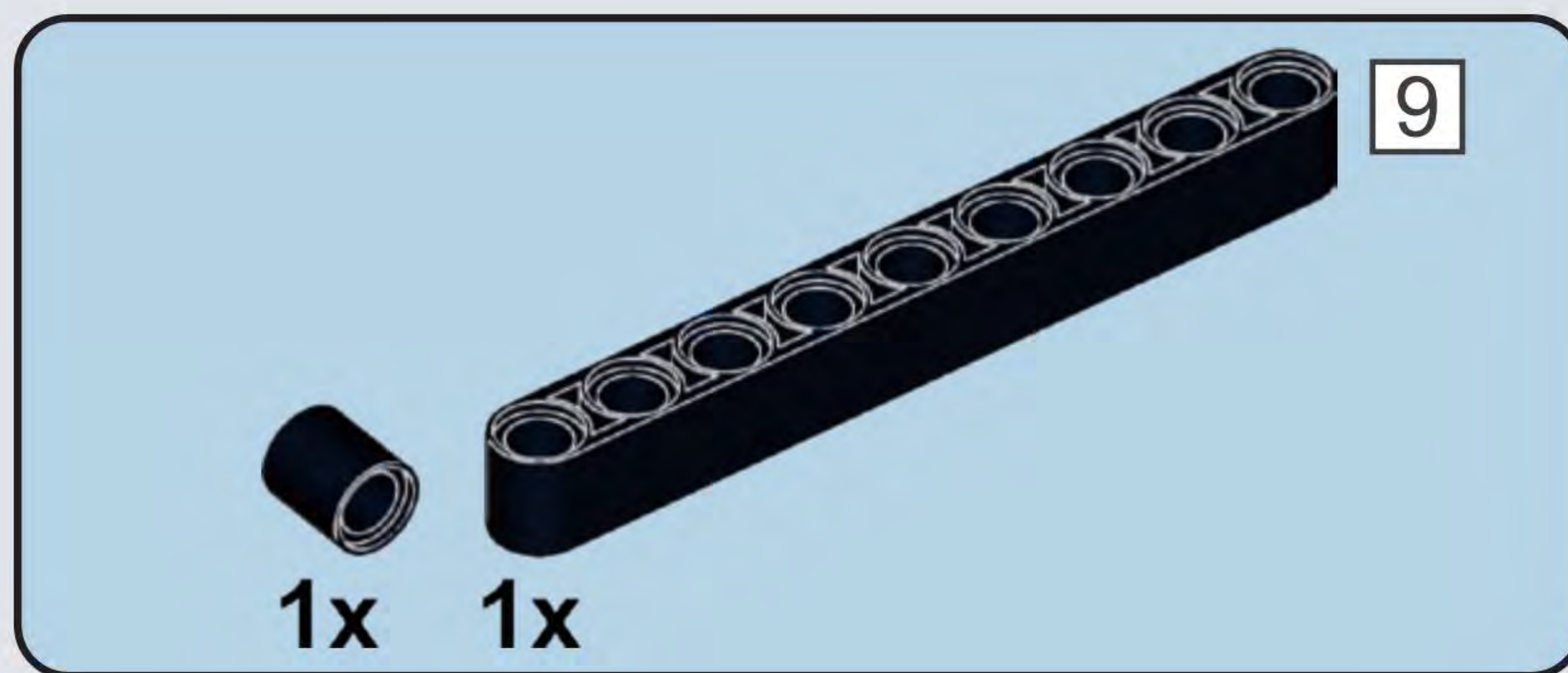
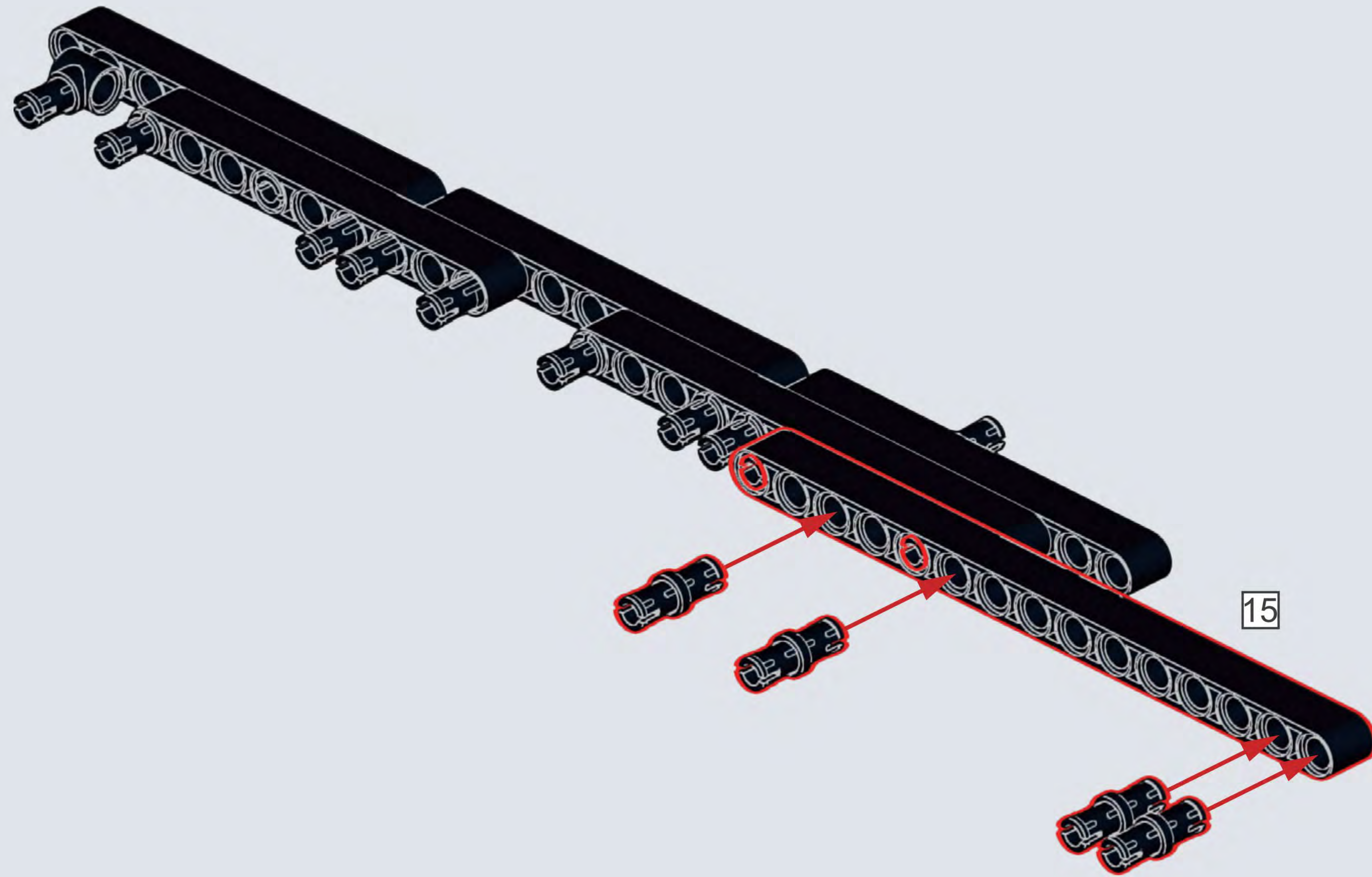


A98

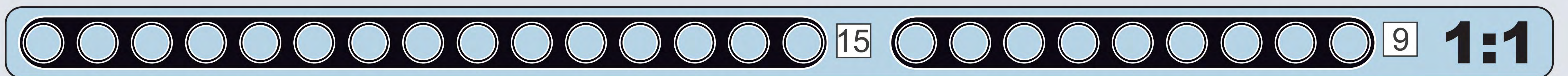
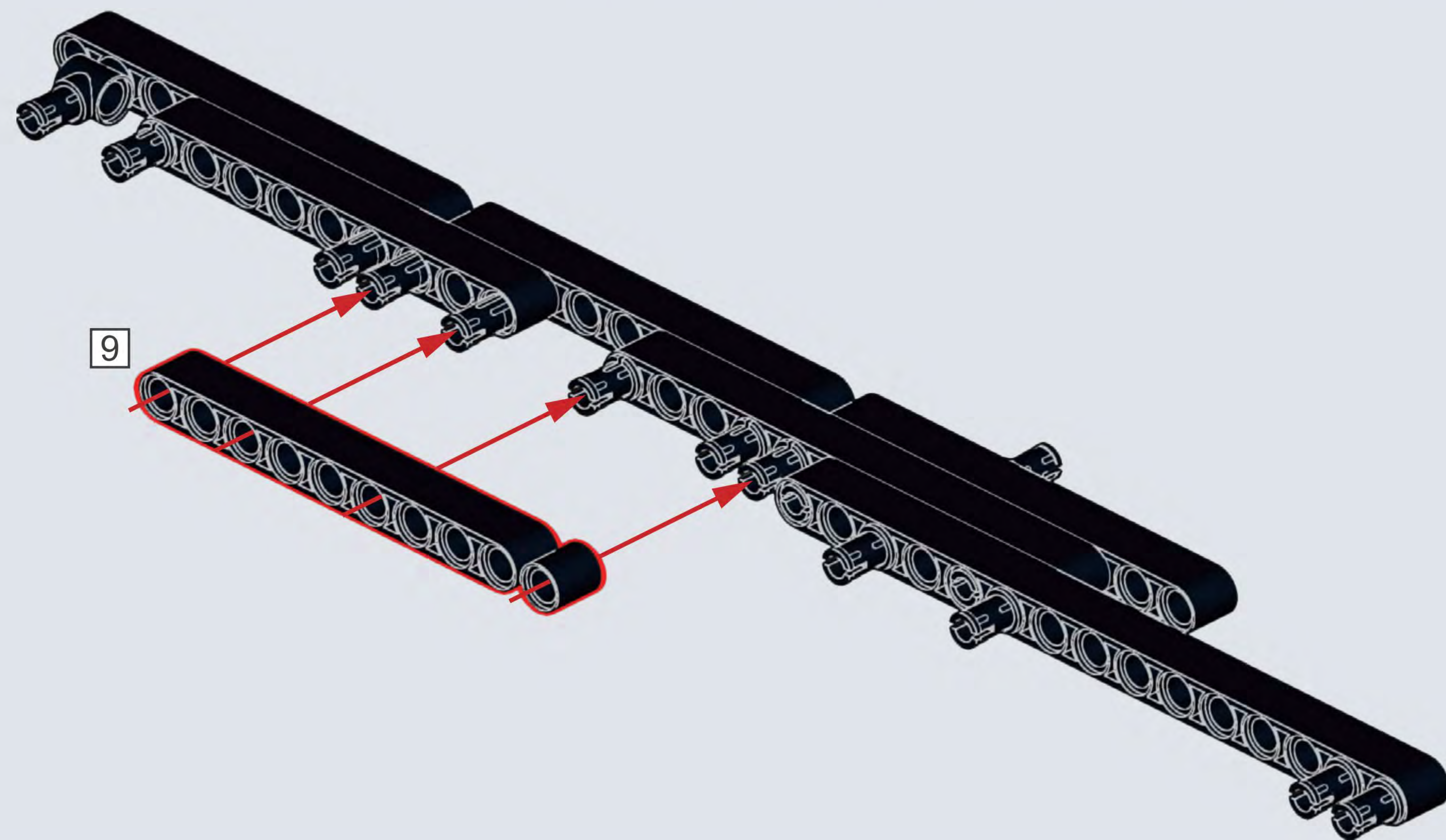




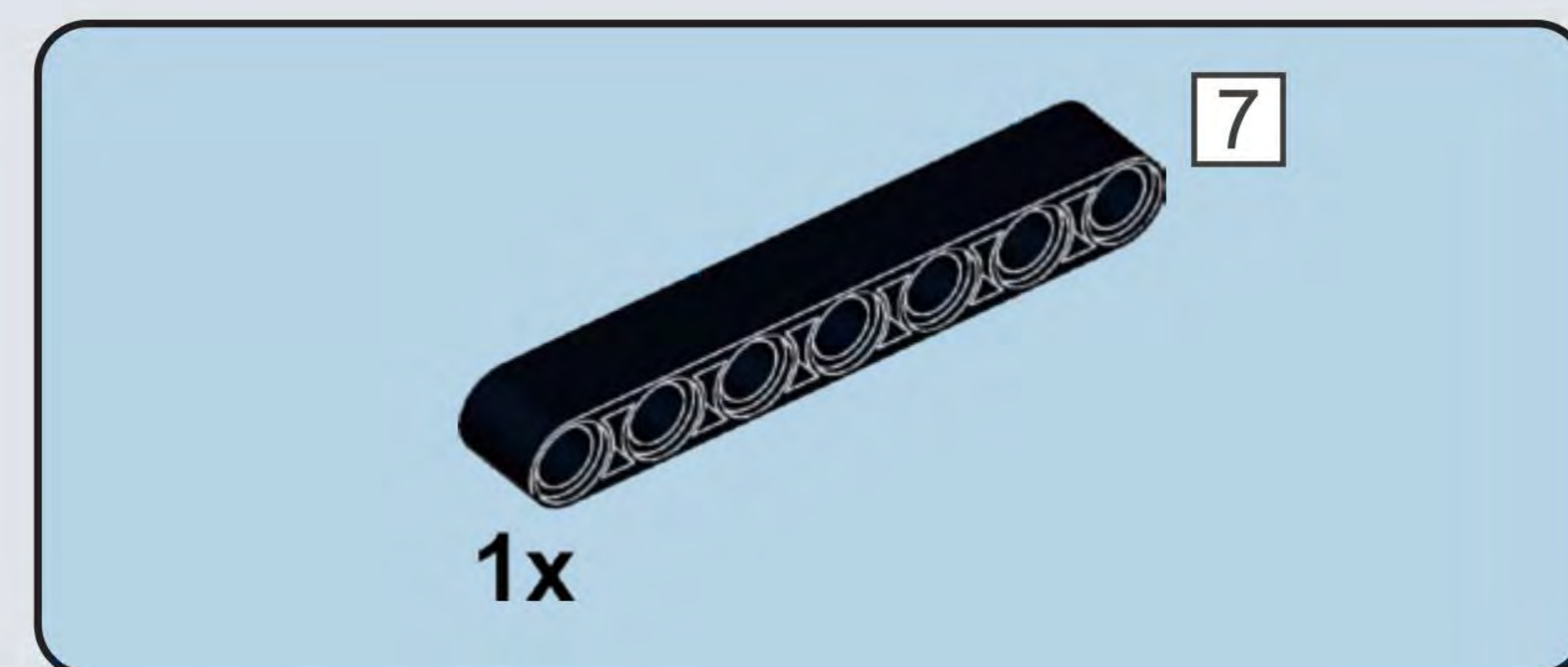
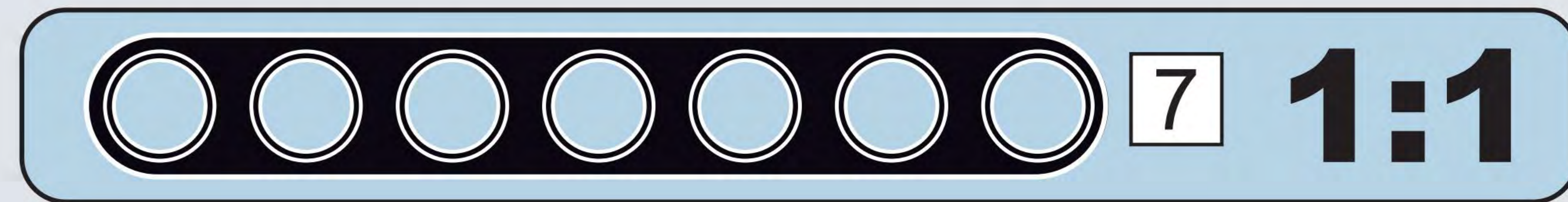
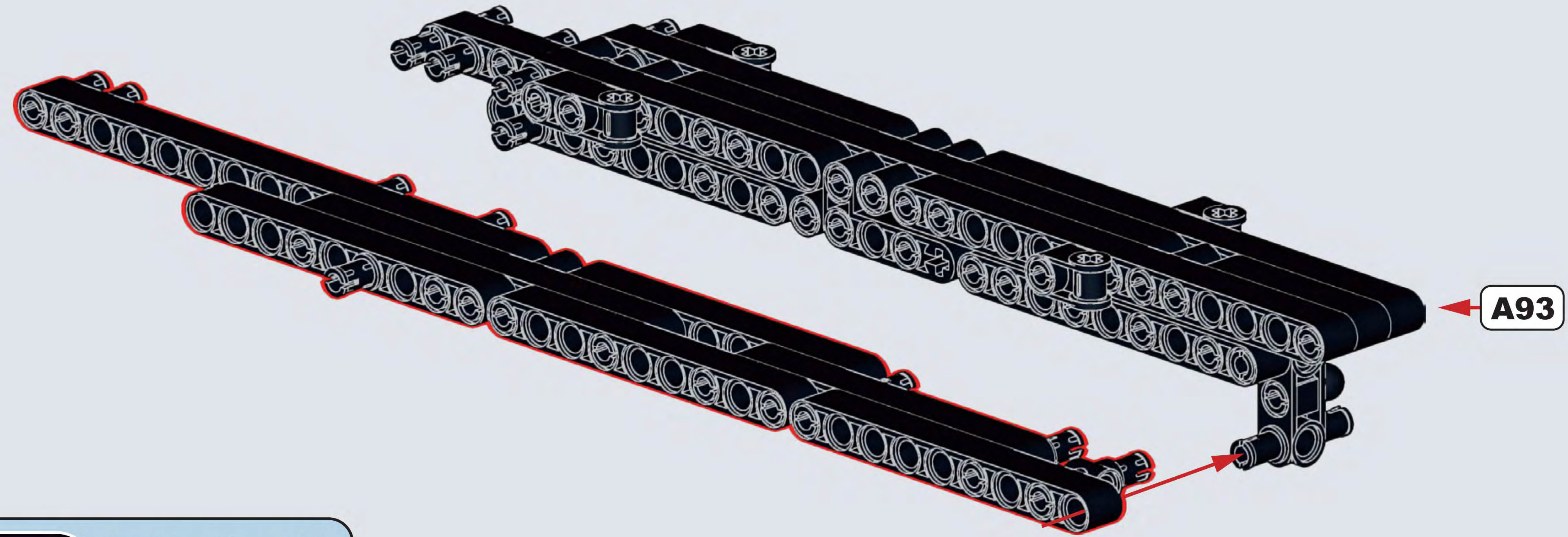
A99



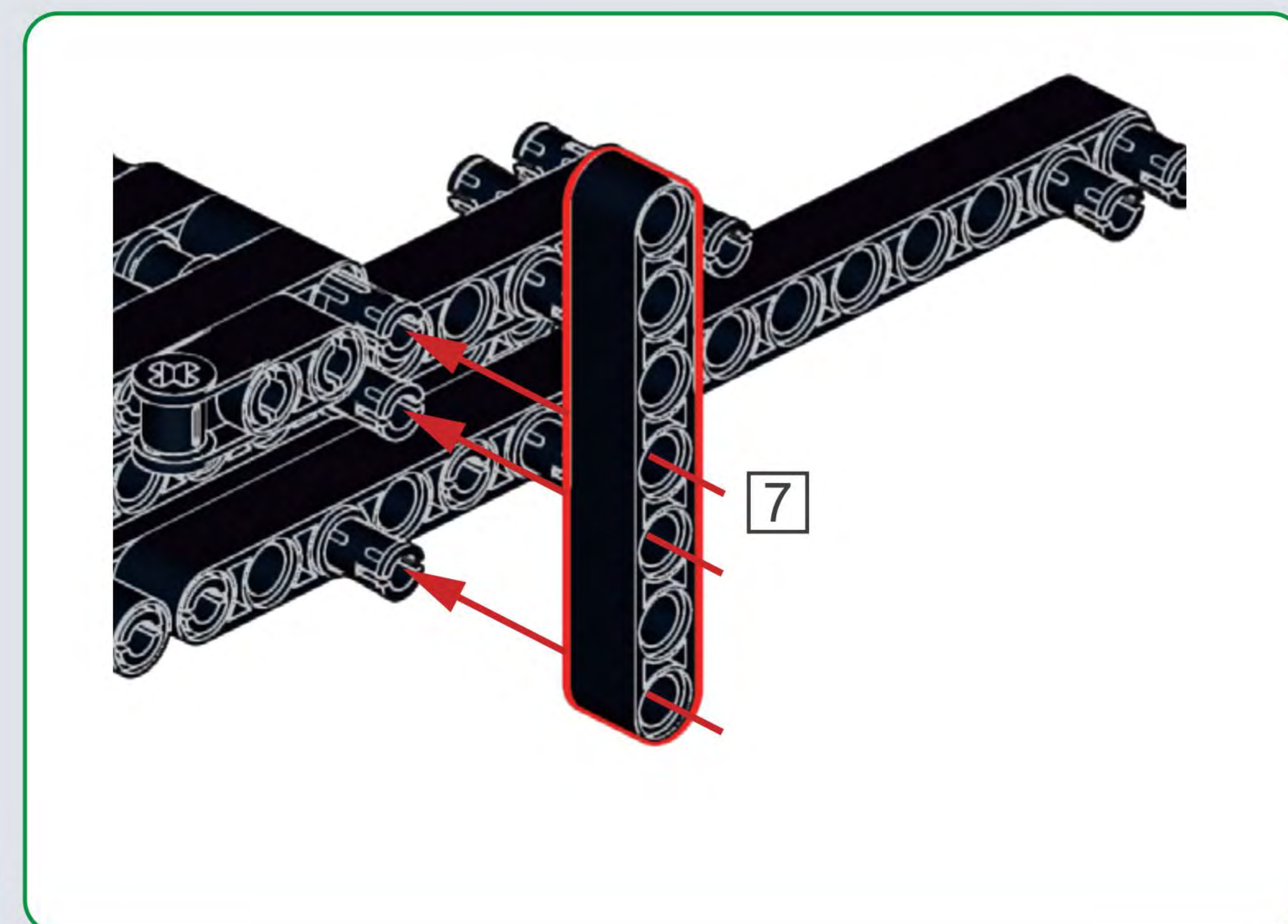
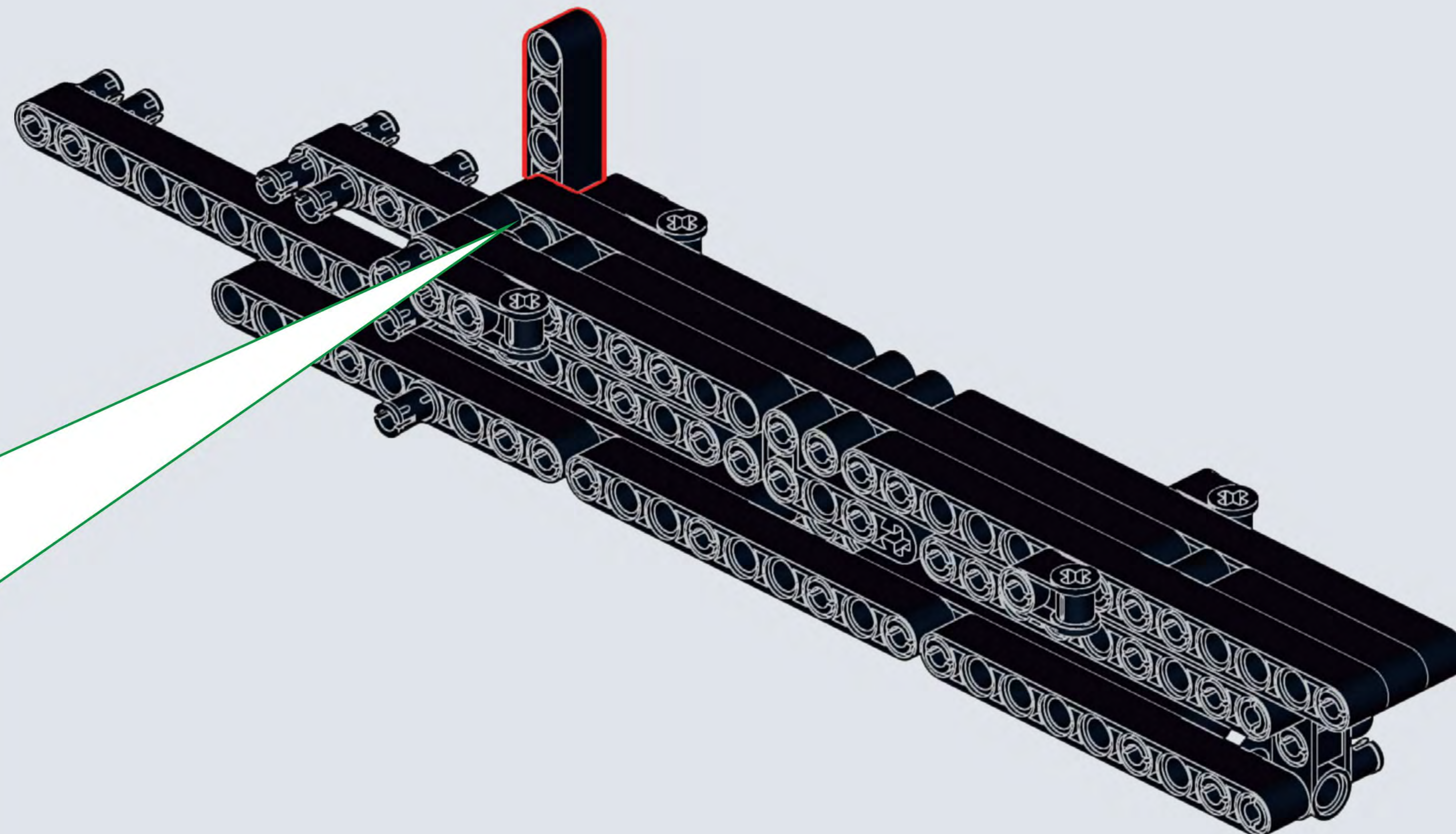
A100

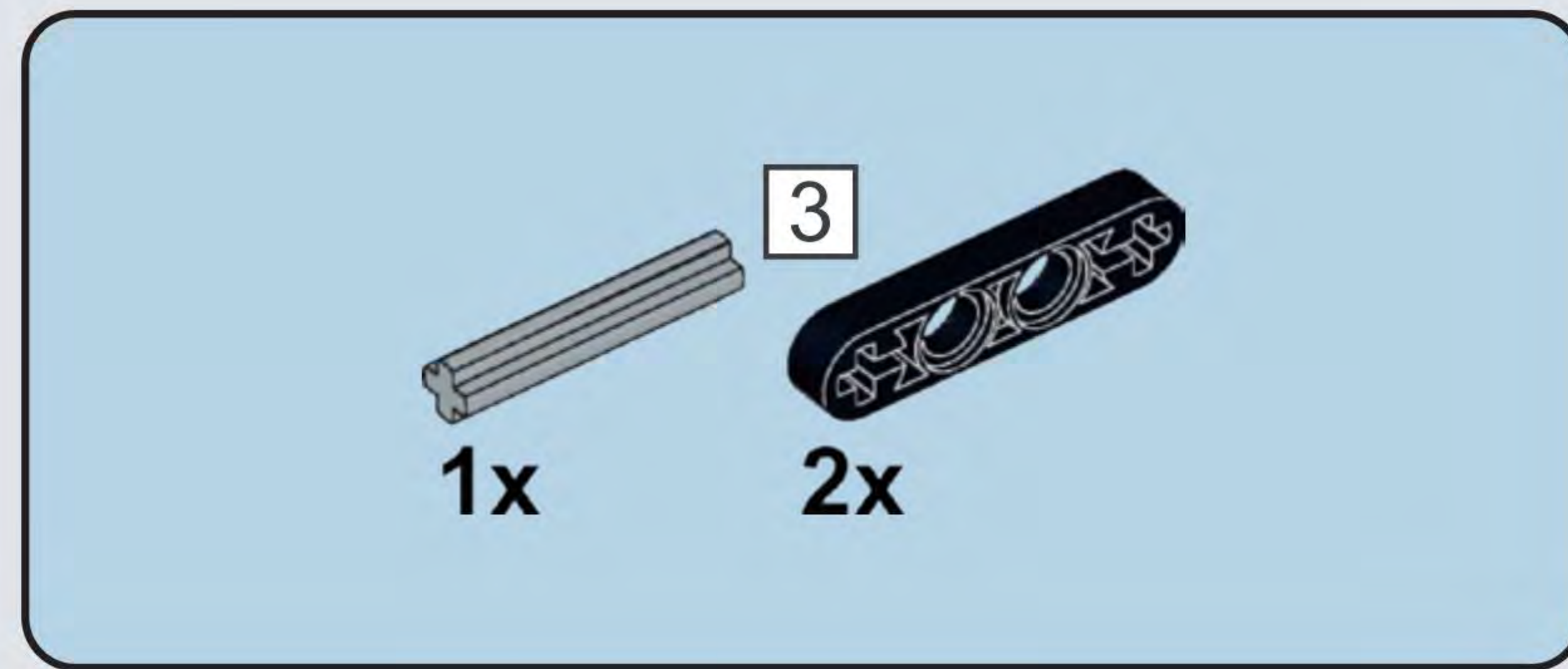


A101

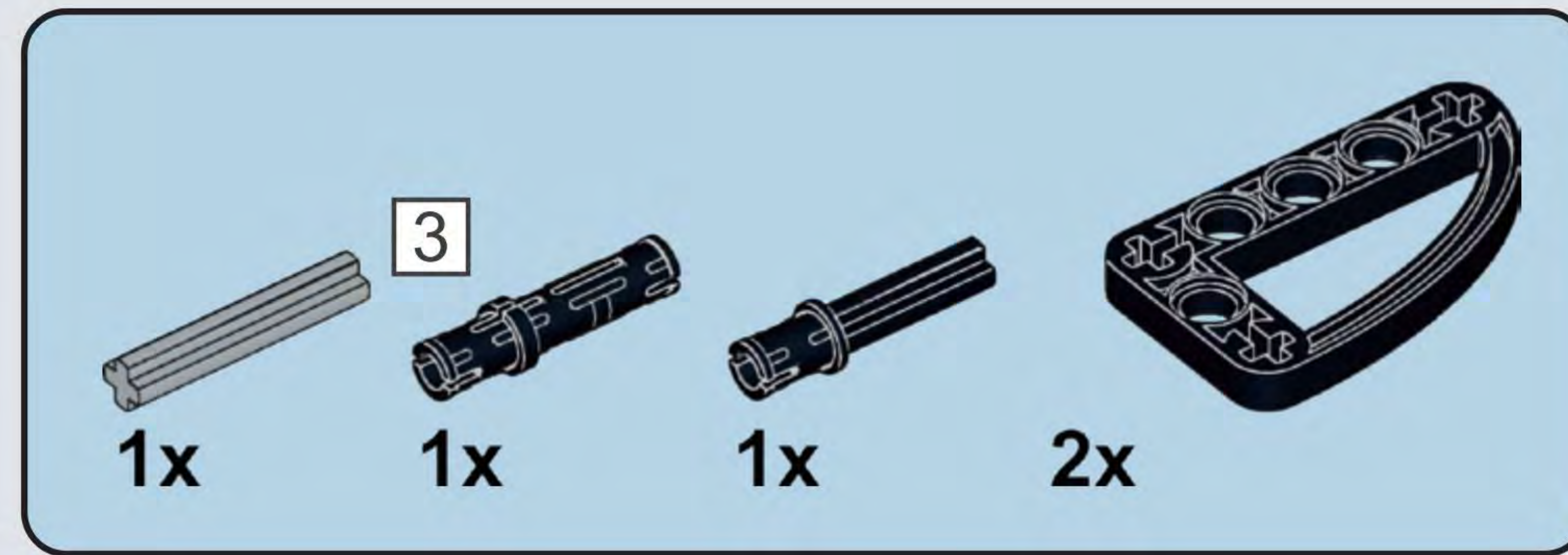
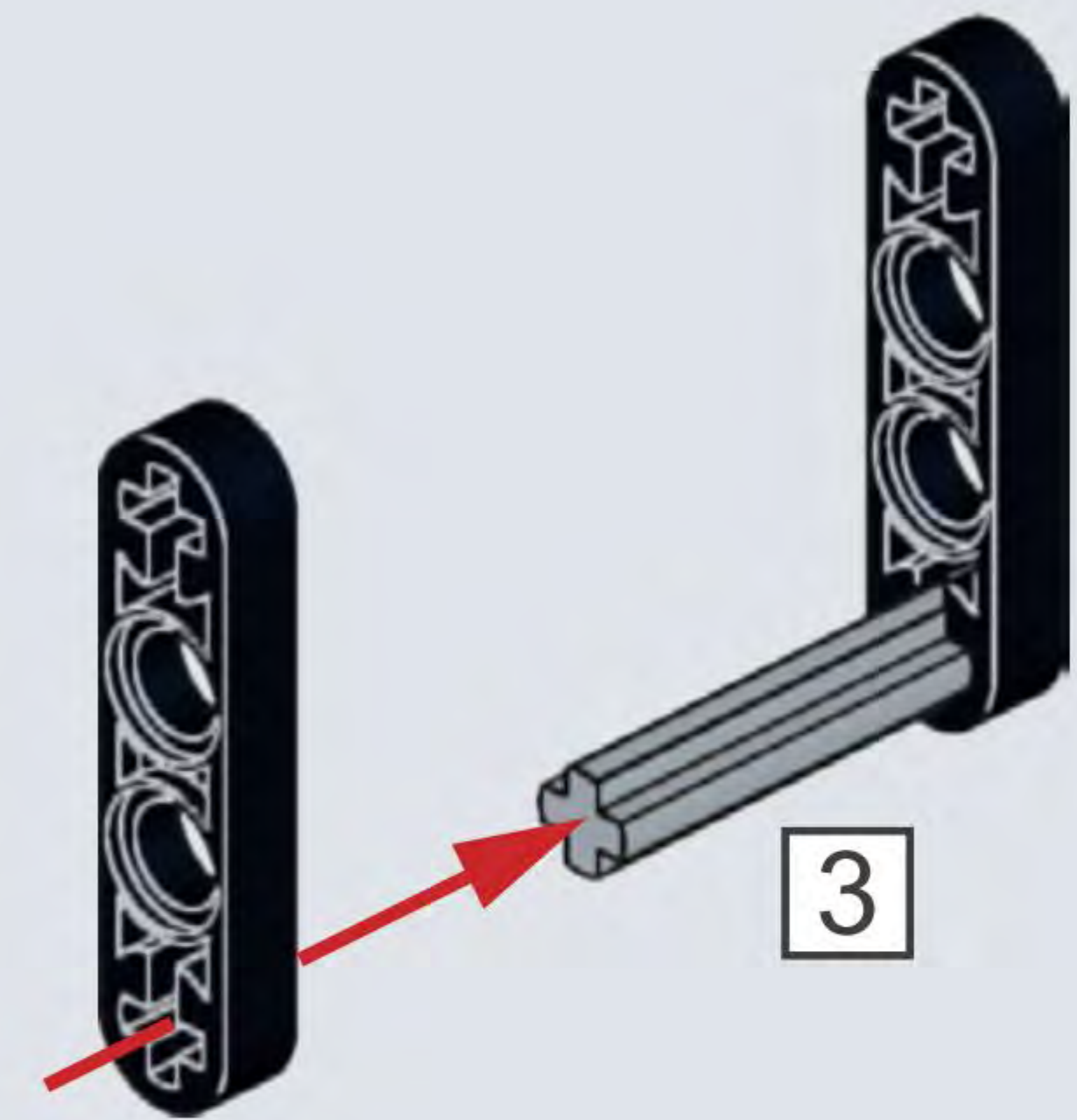


A102

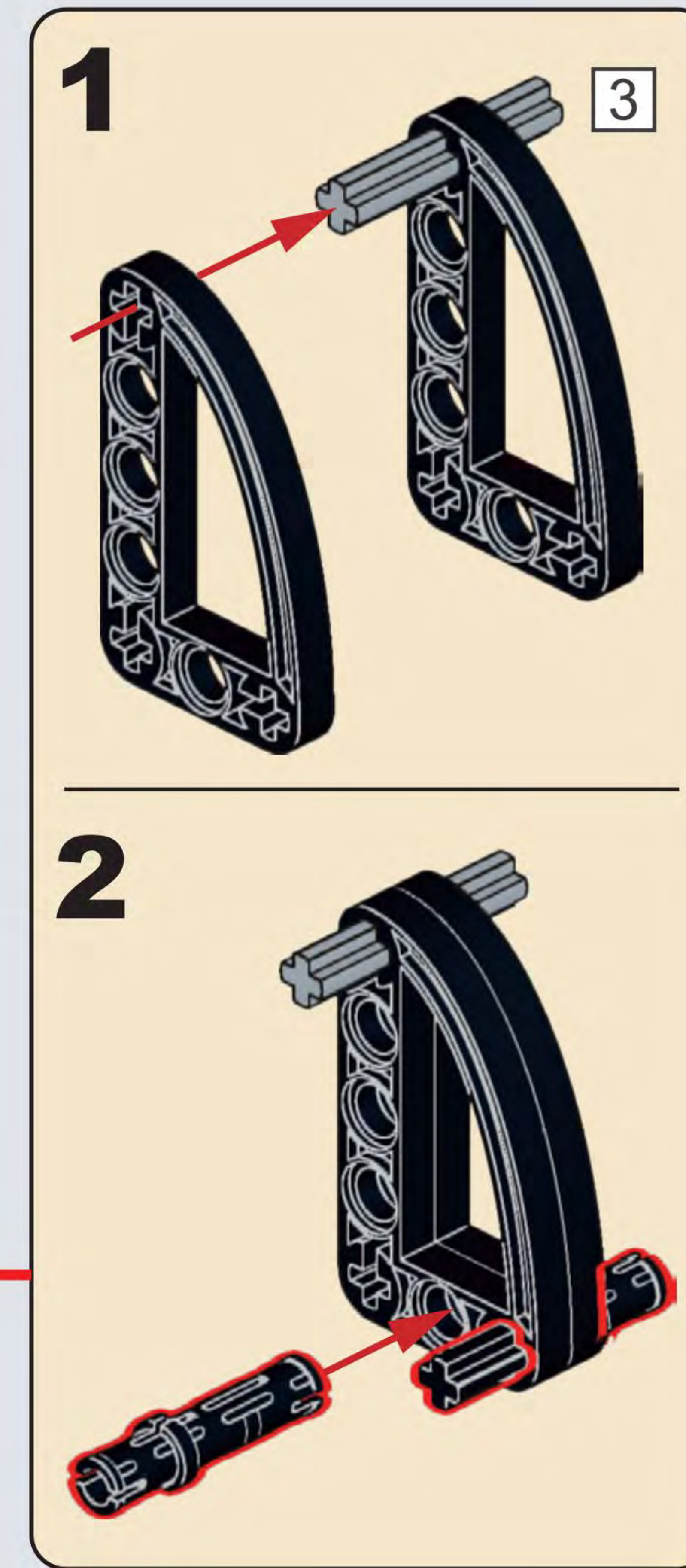
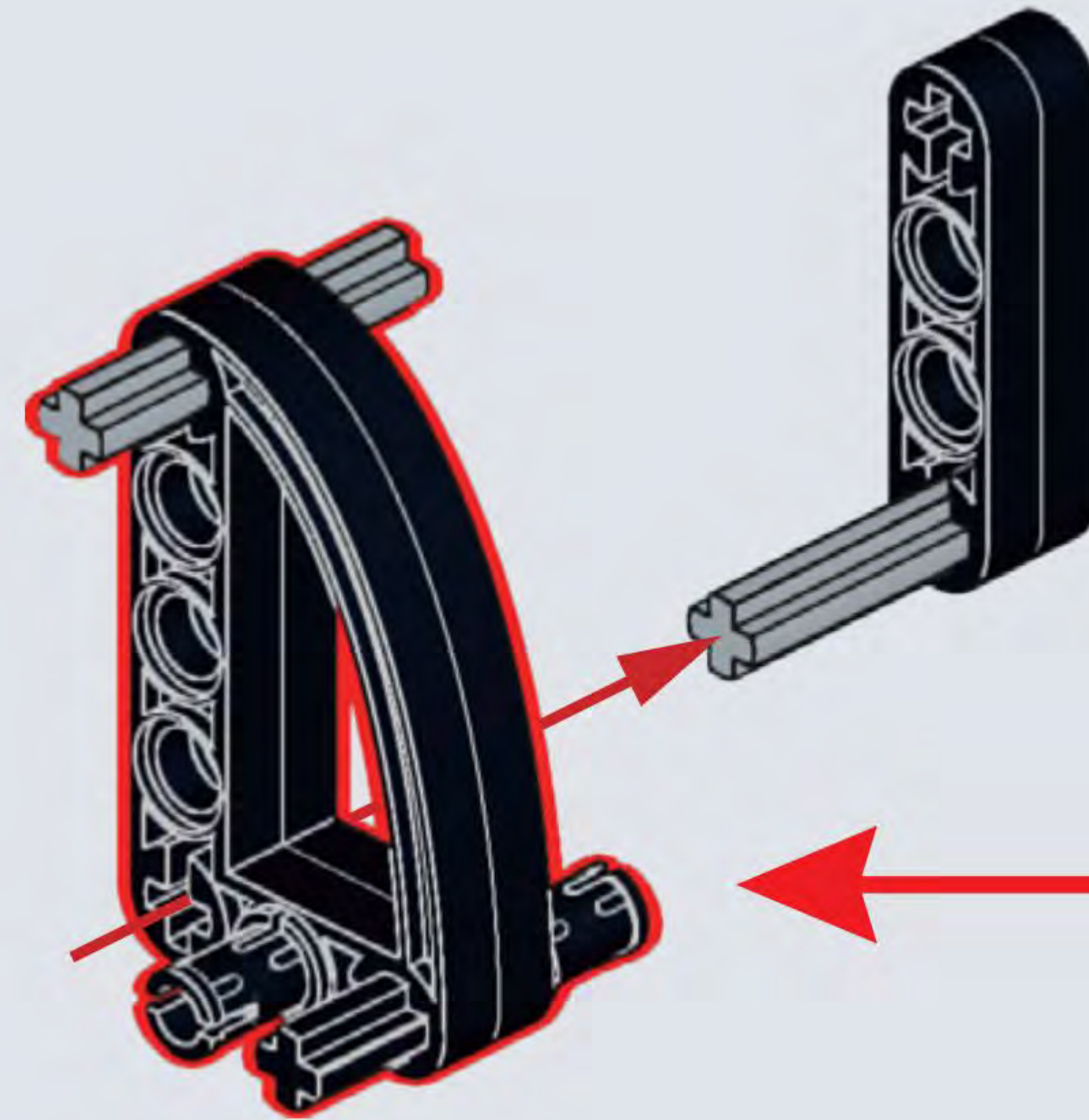




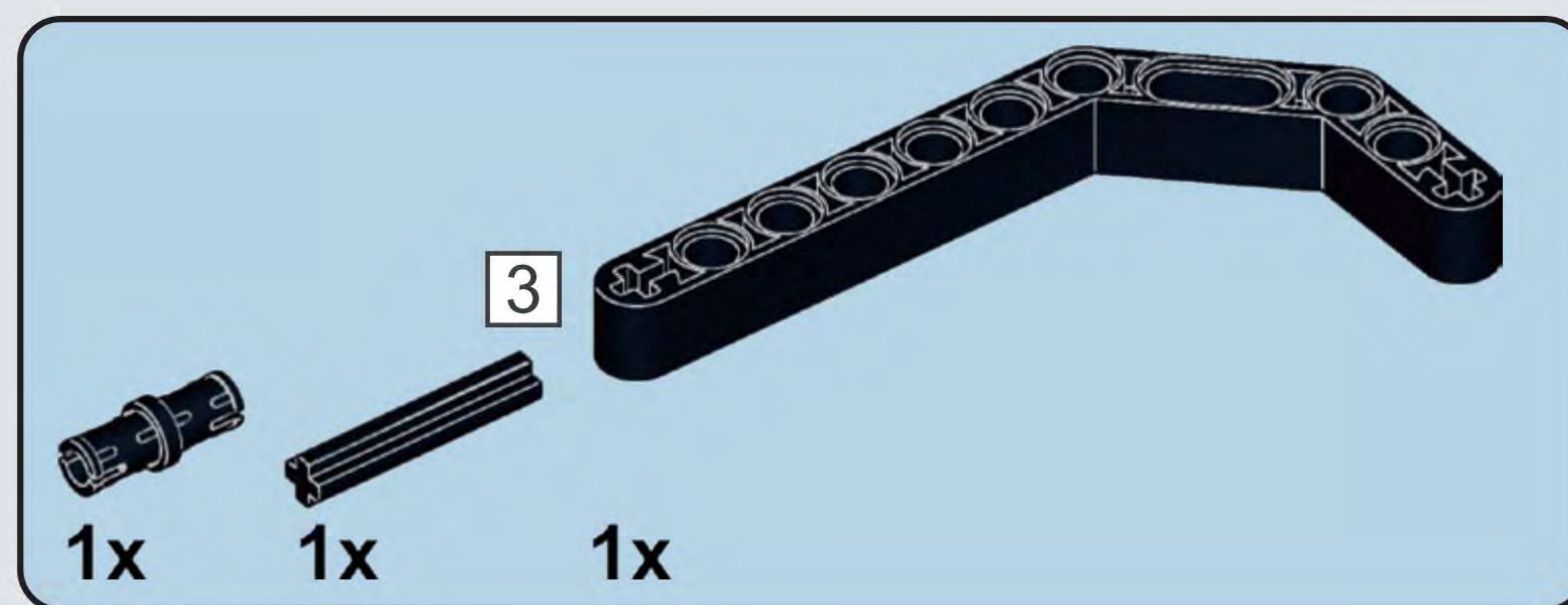
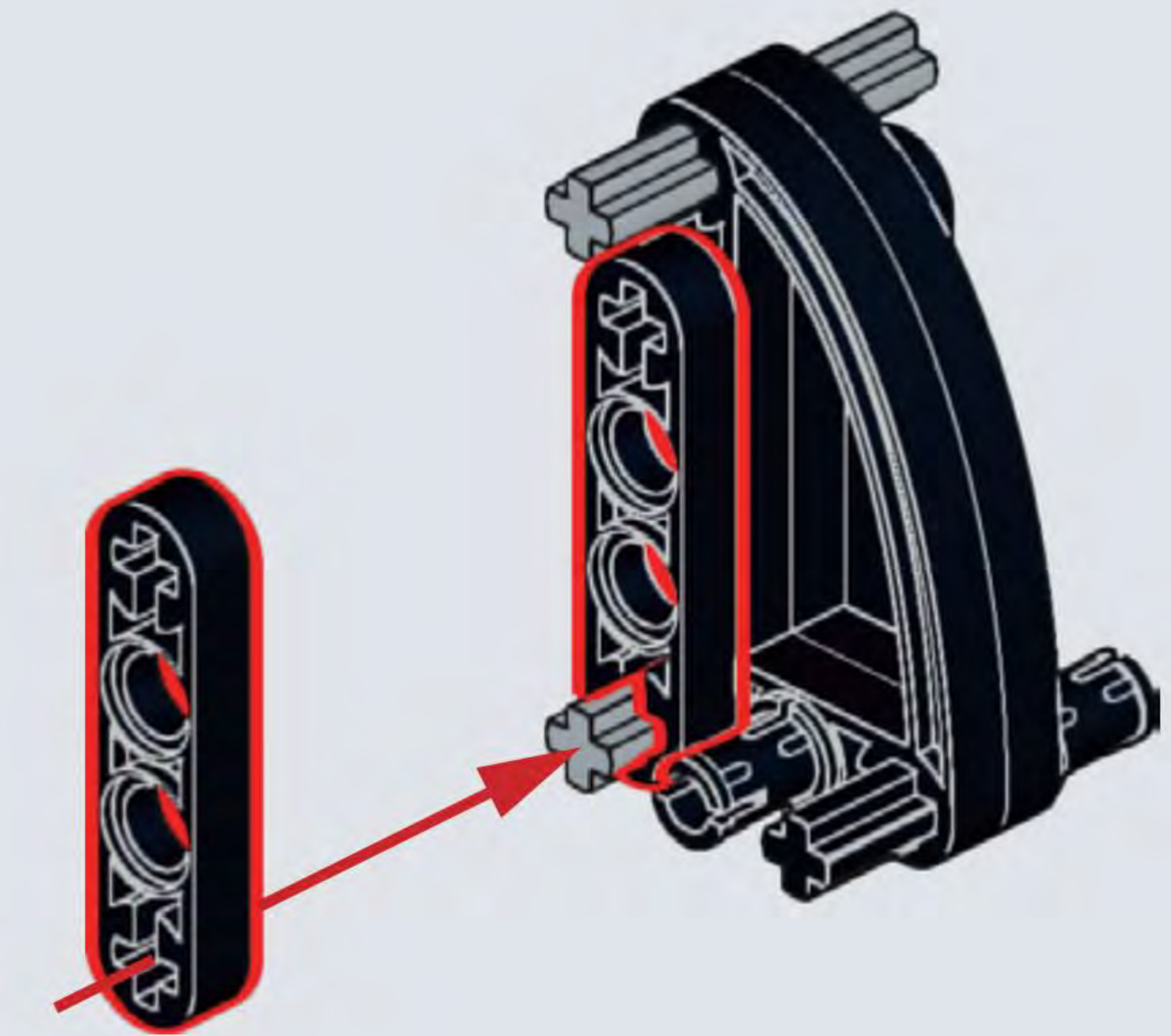
A103



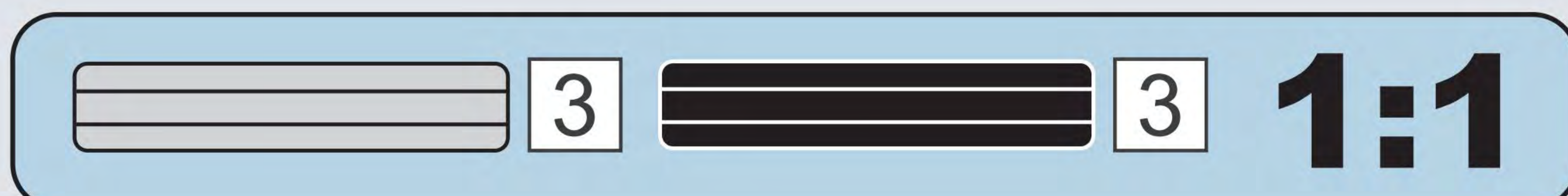
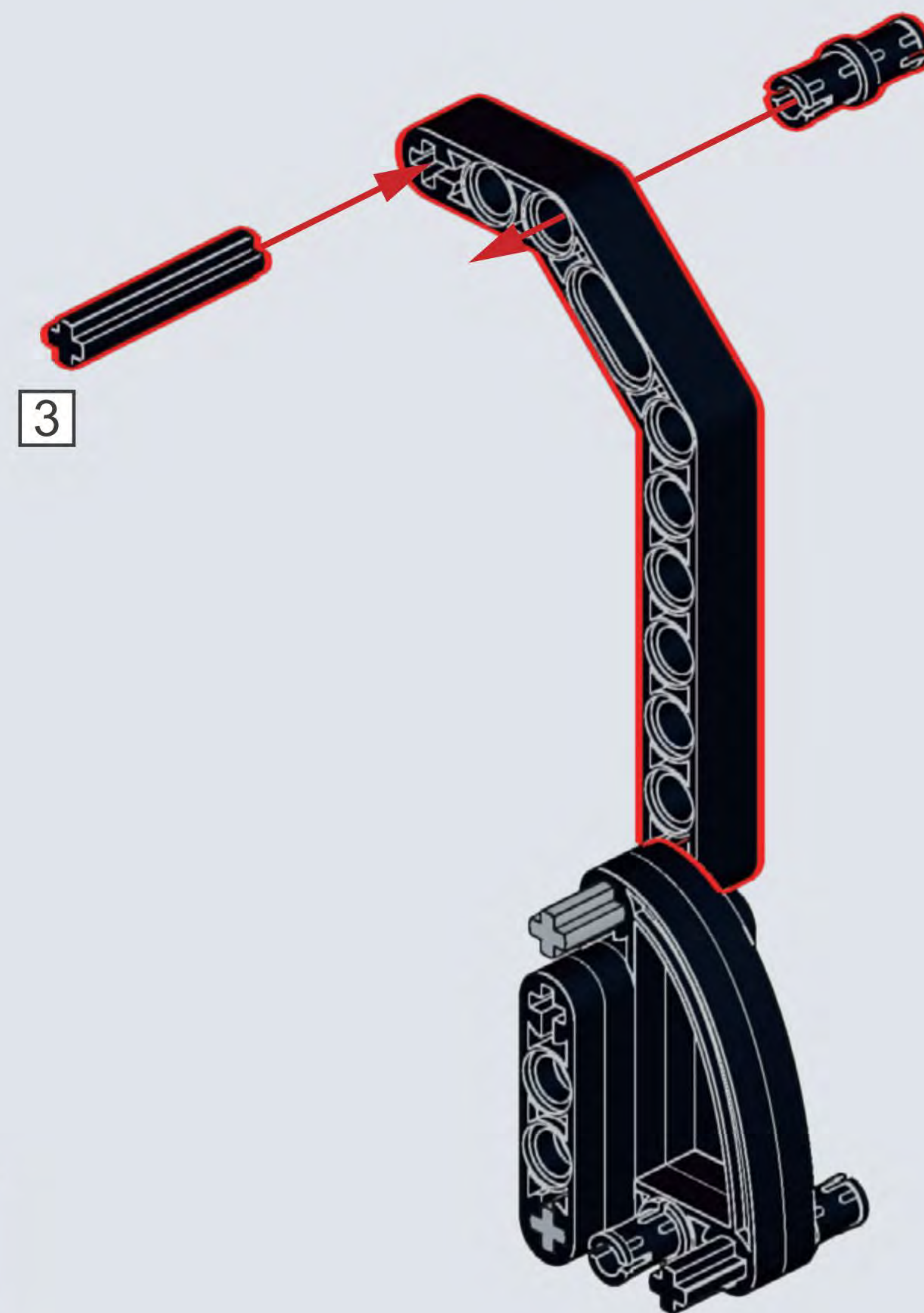
A104

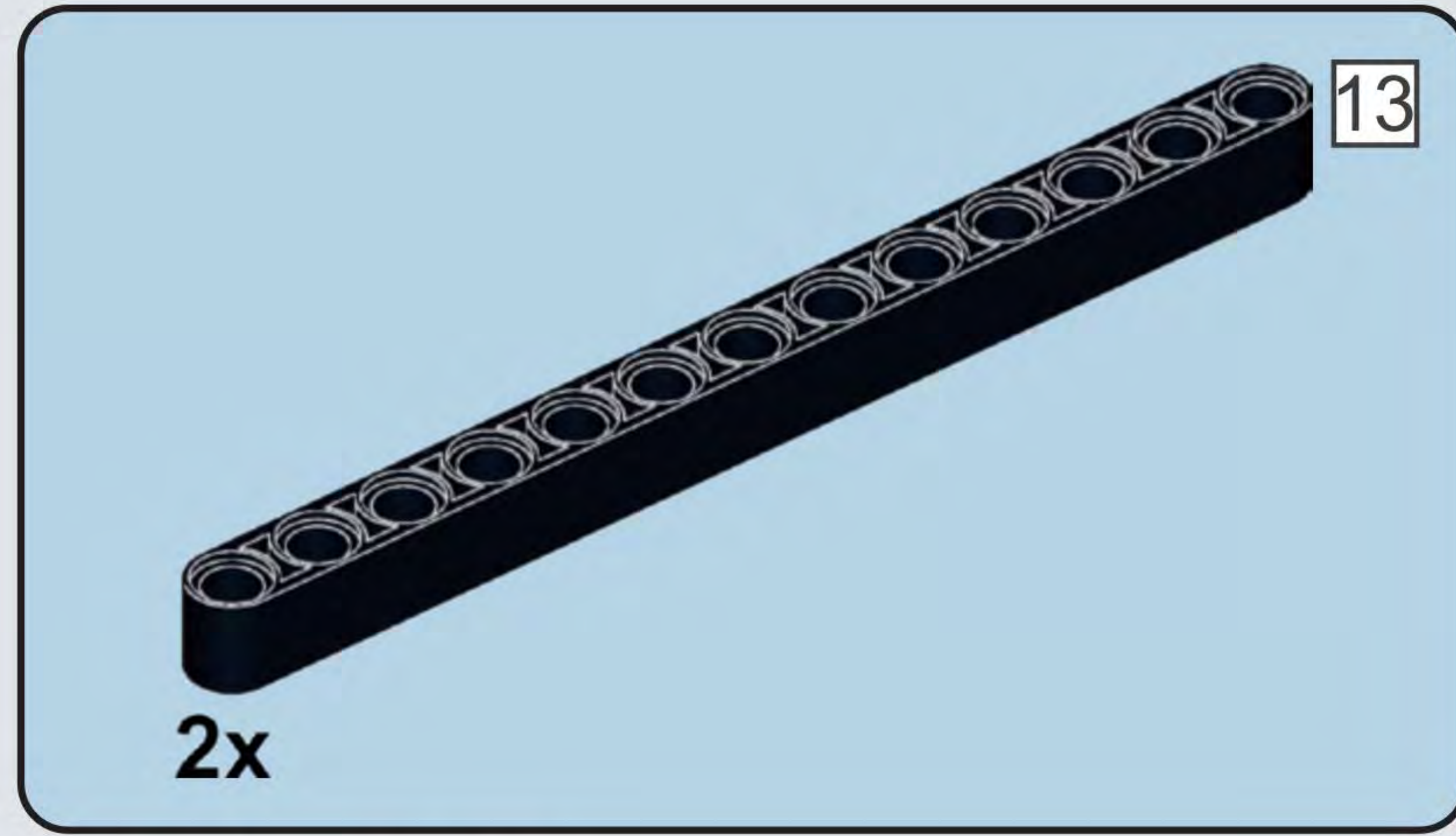


A105

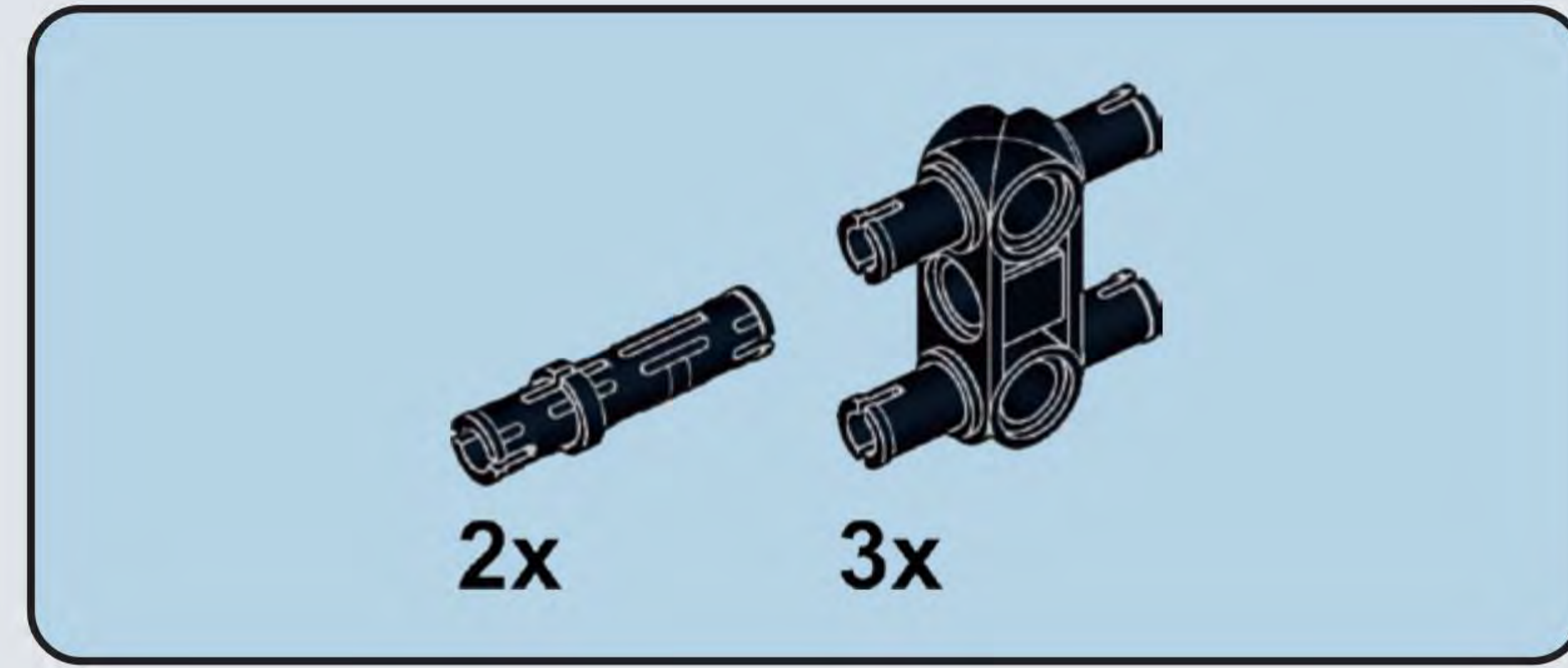
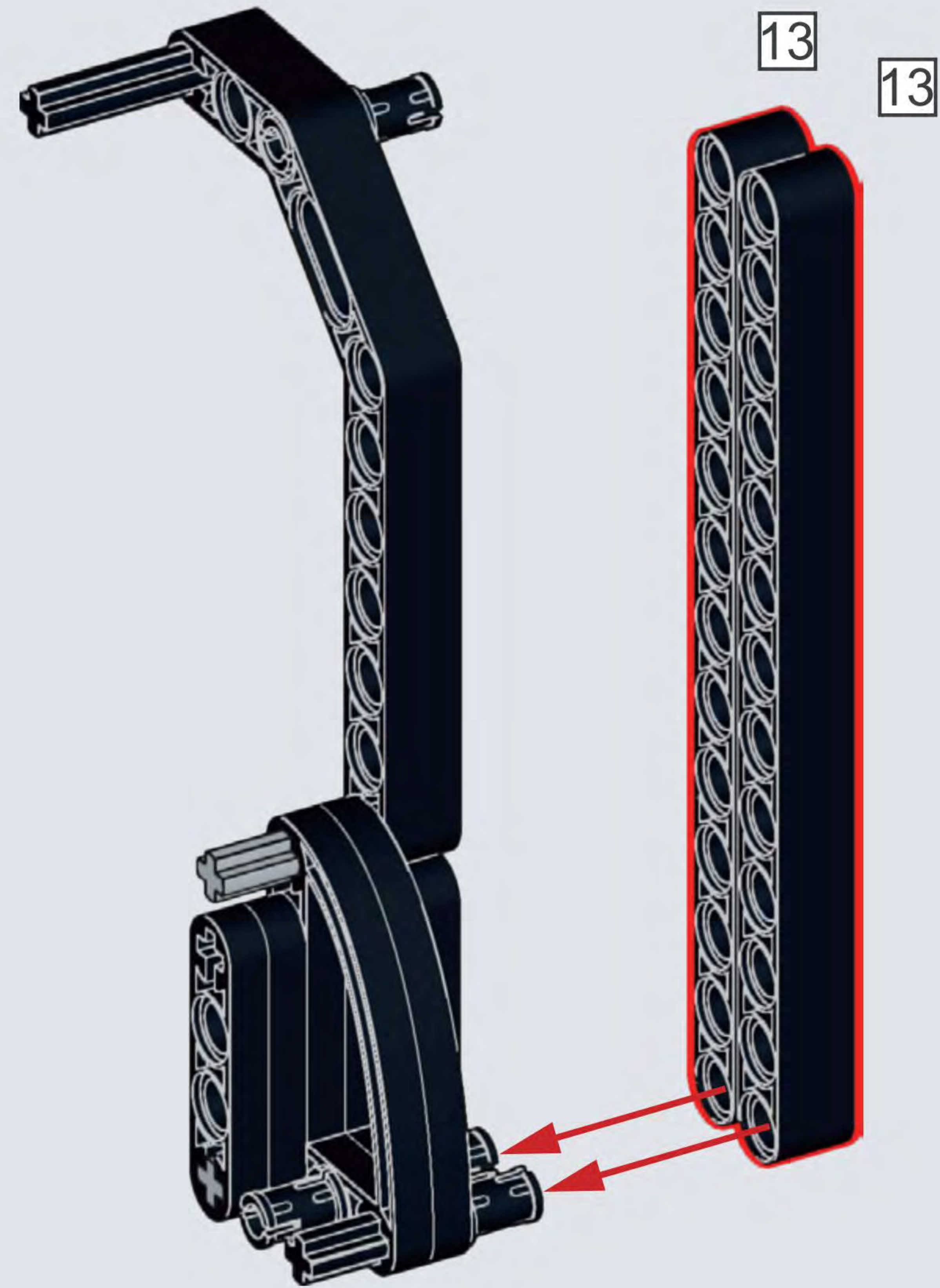


A106

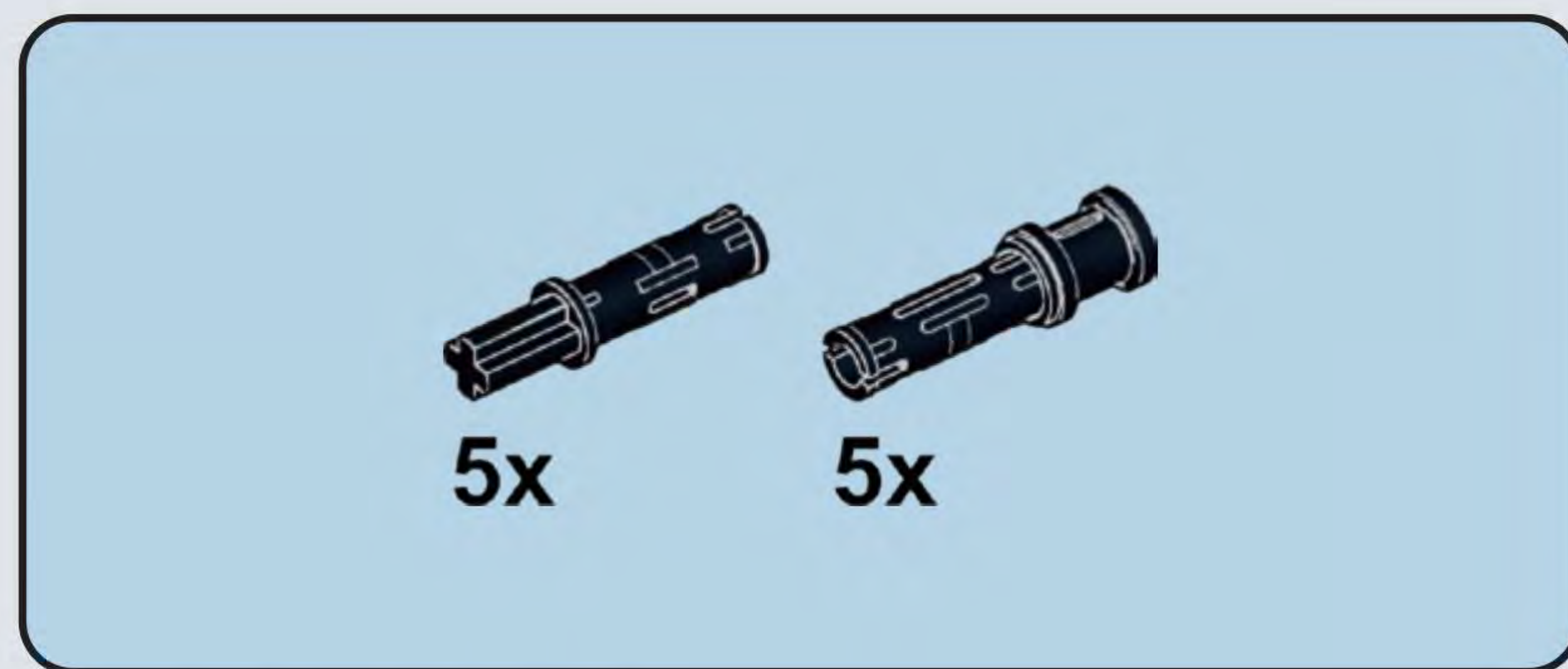
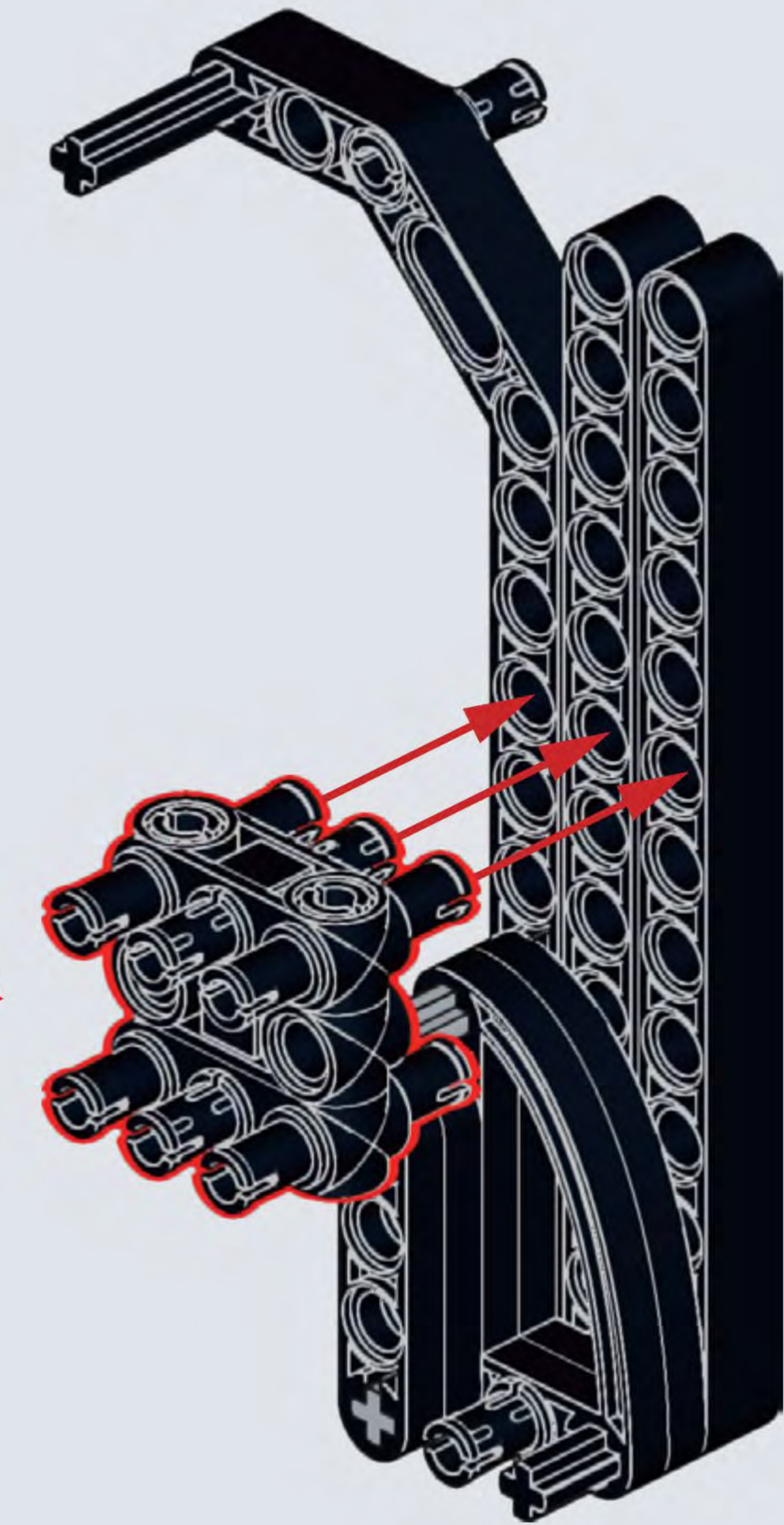
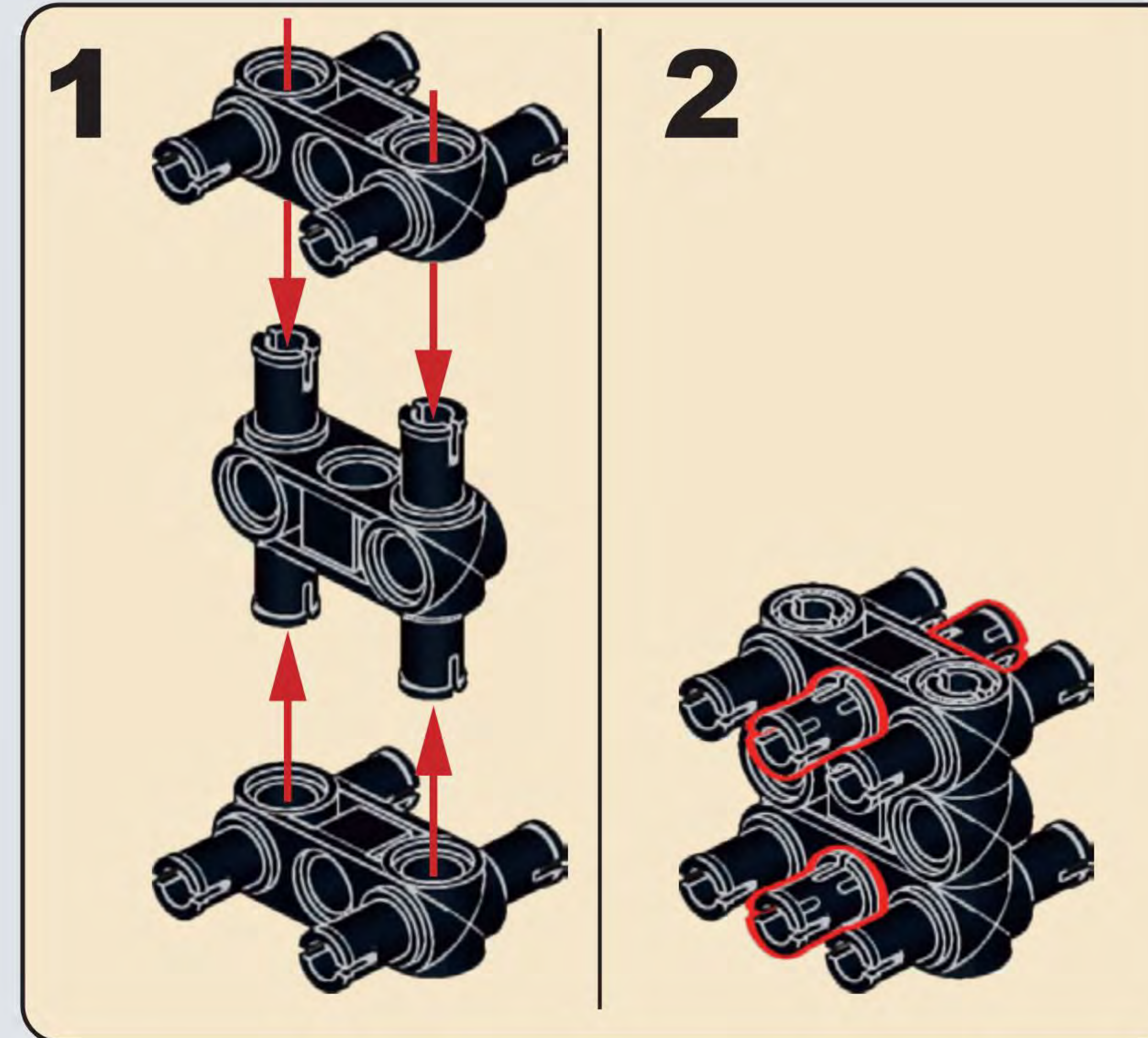




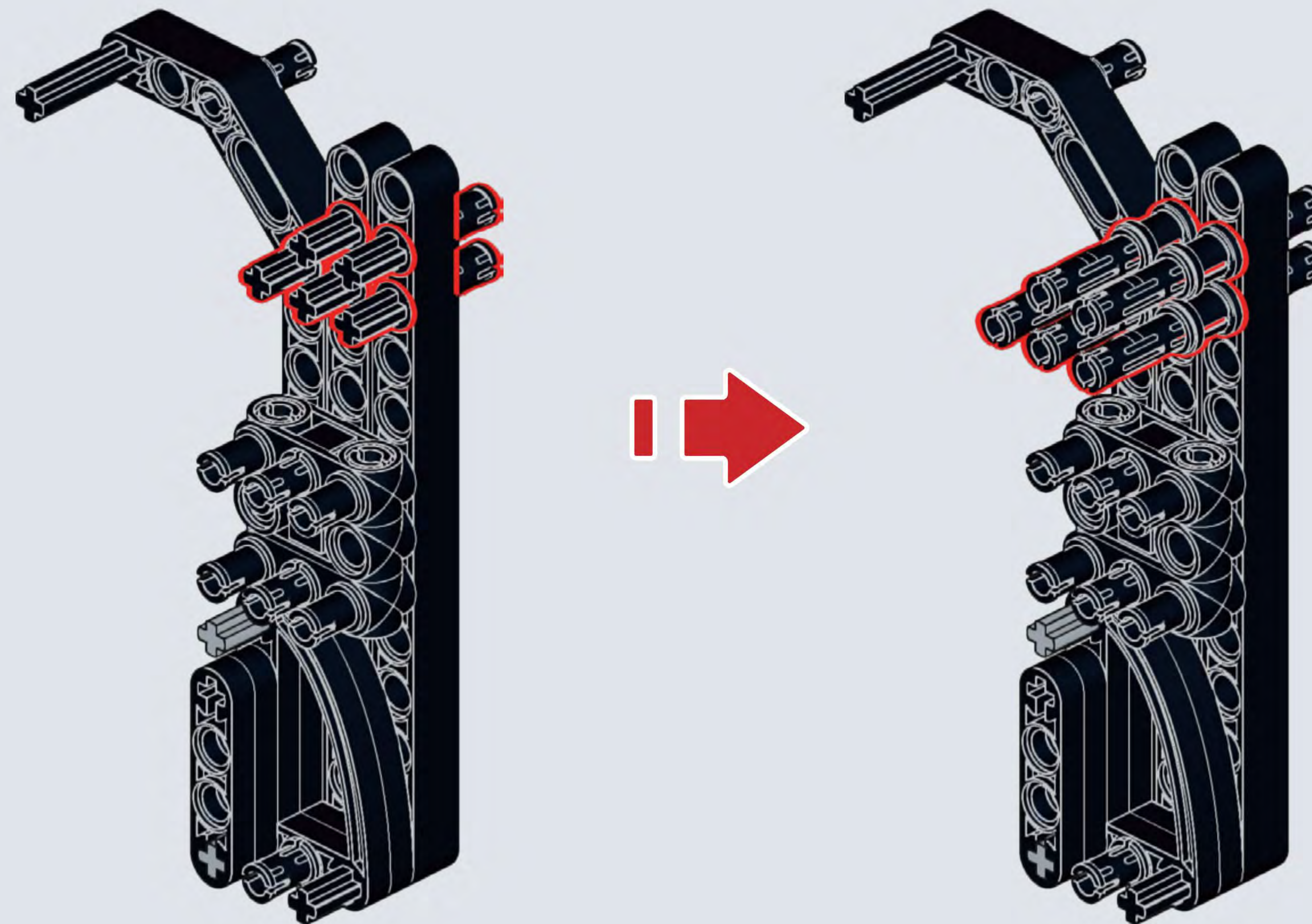
A107

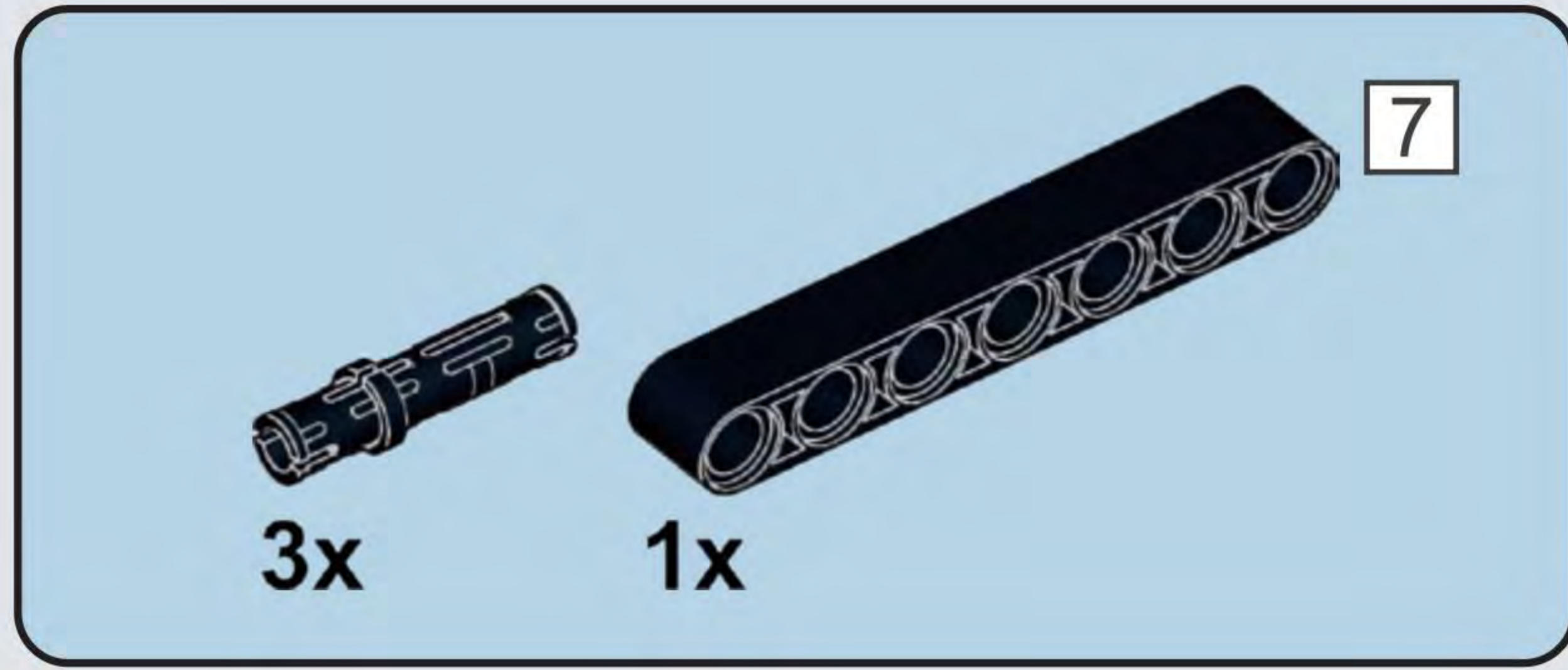


A108

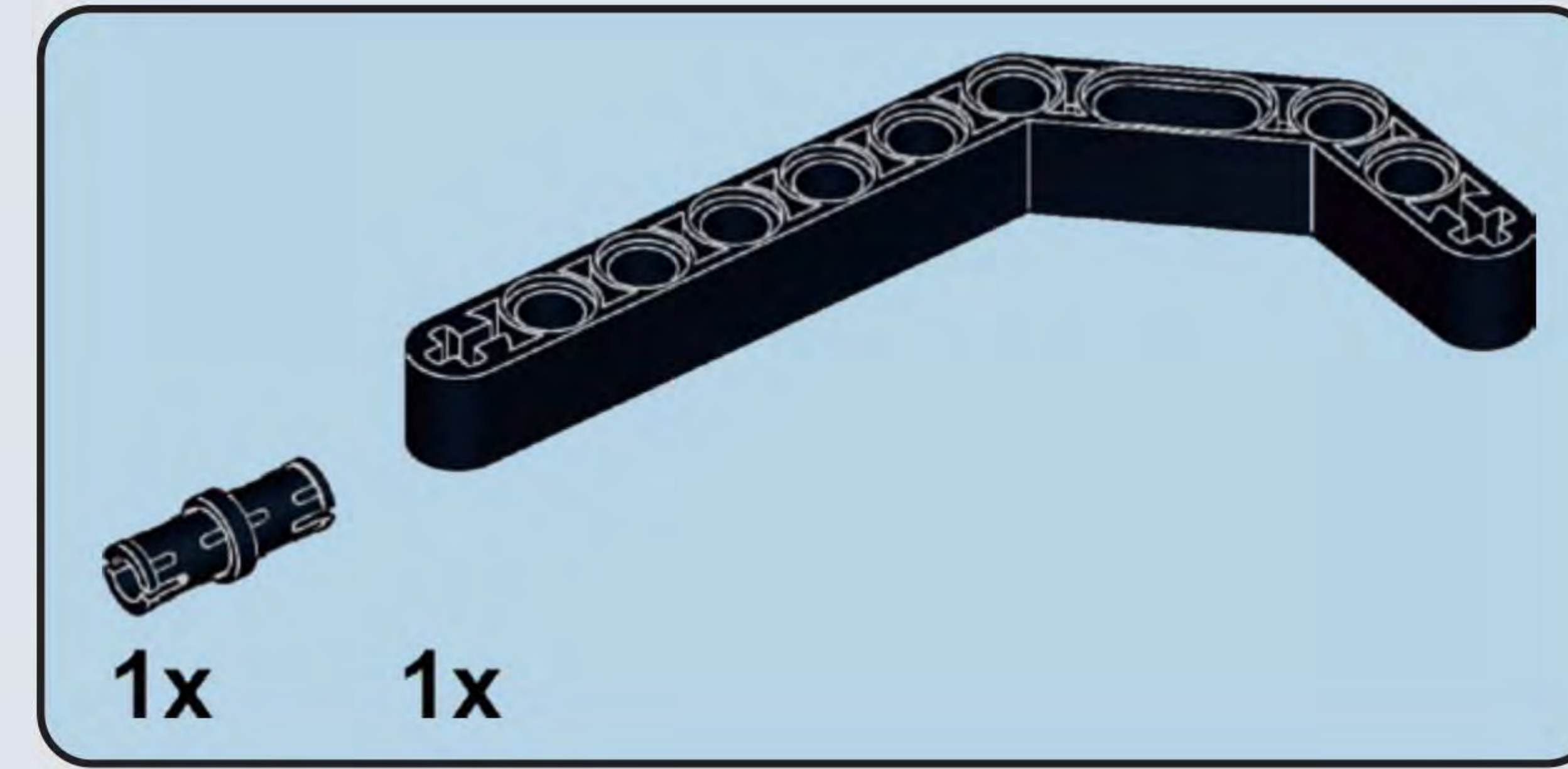
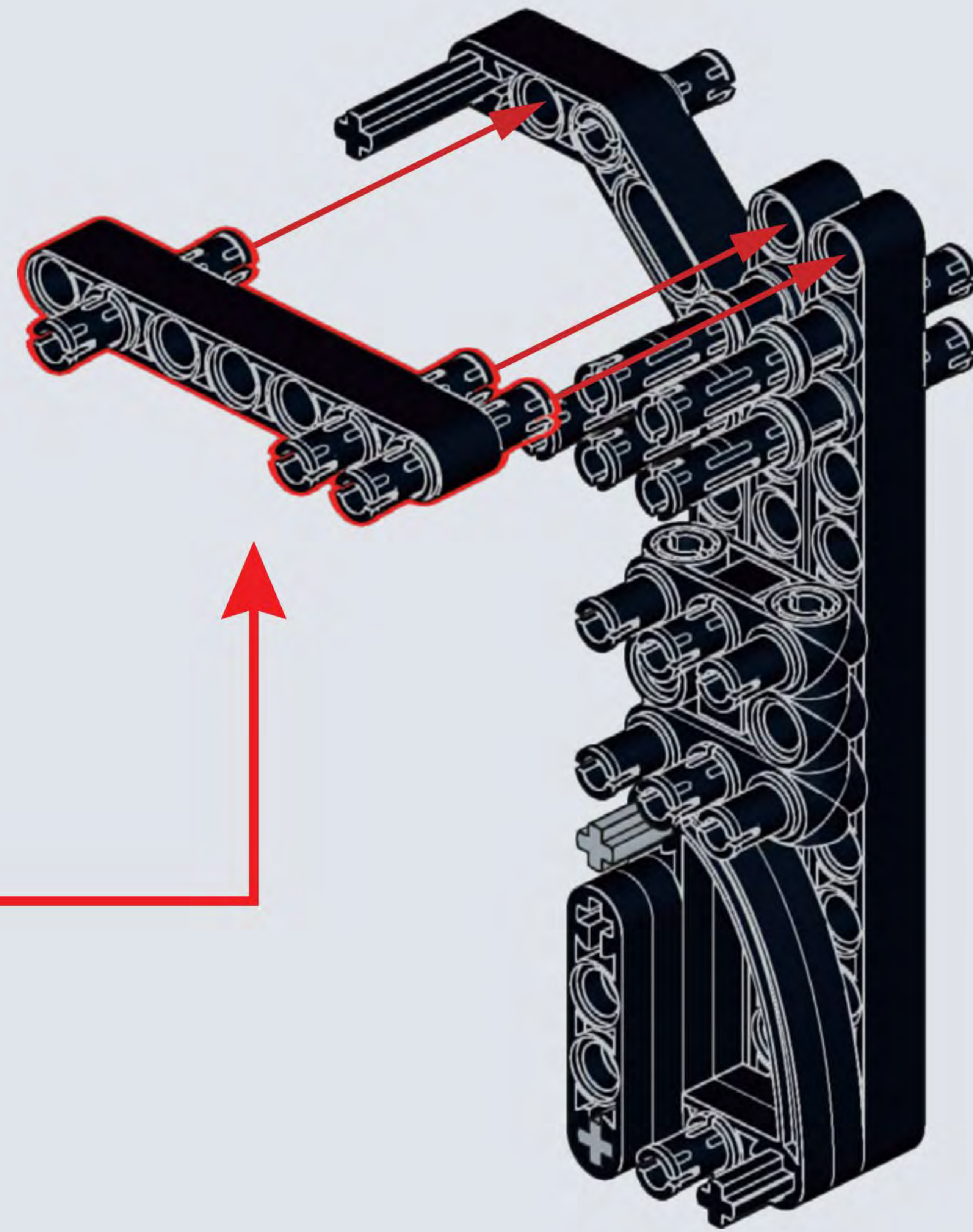
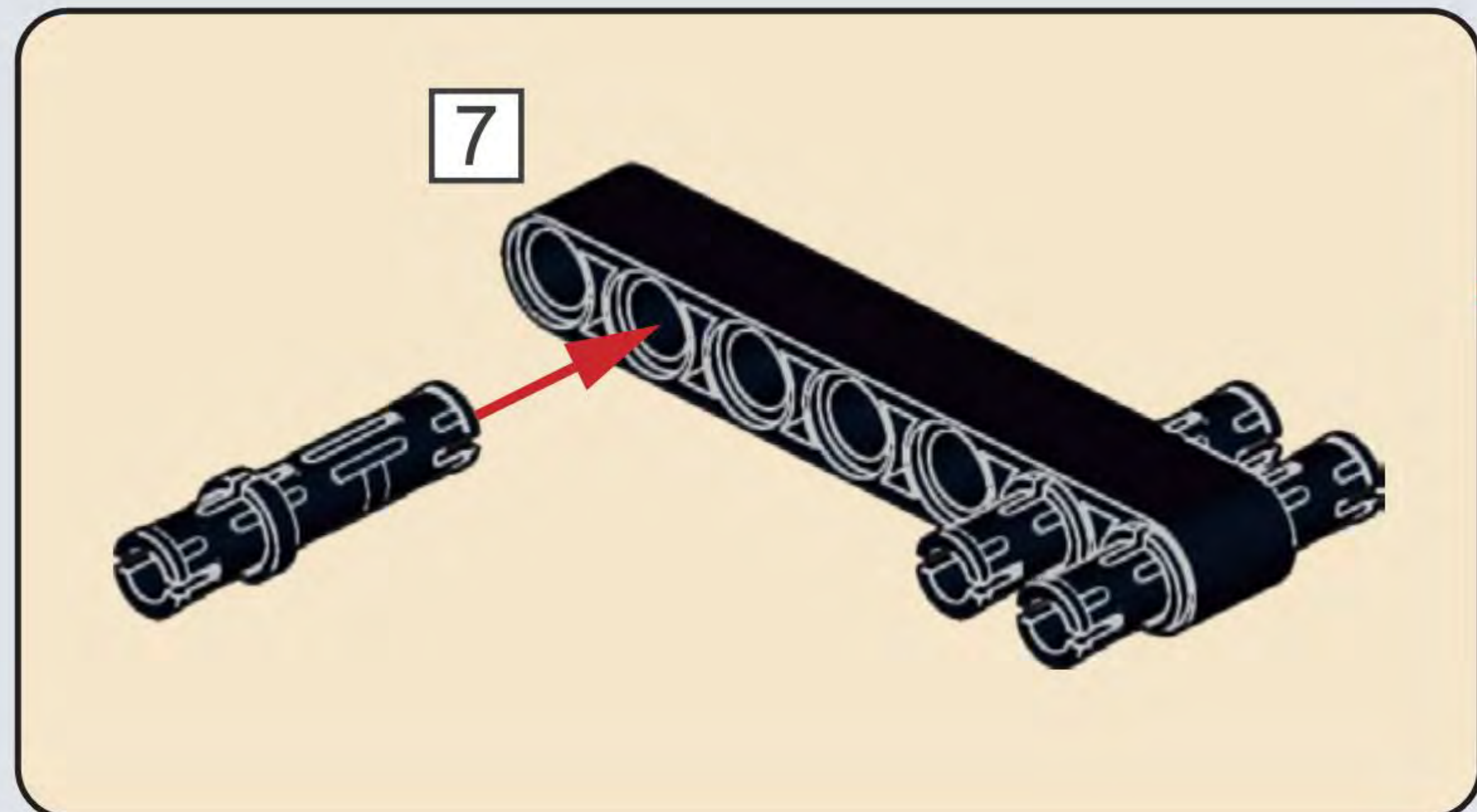


A109

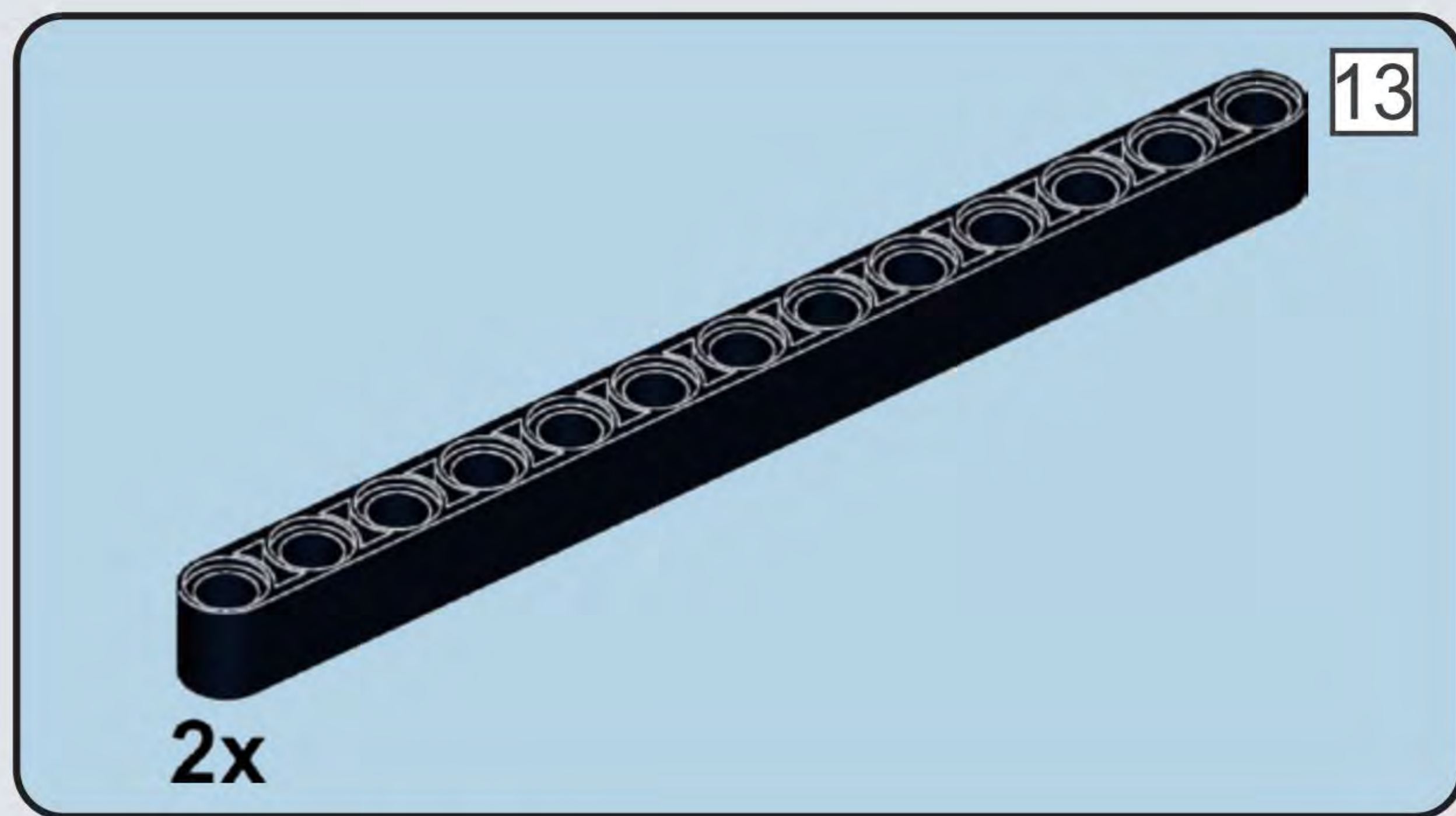
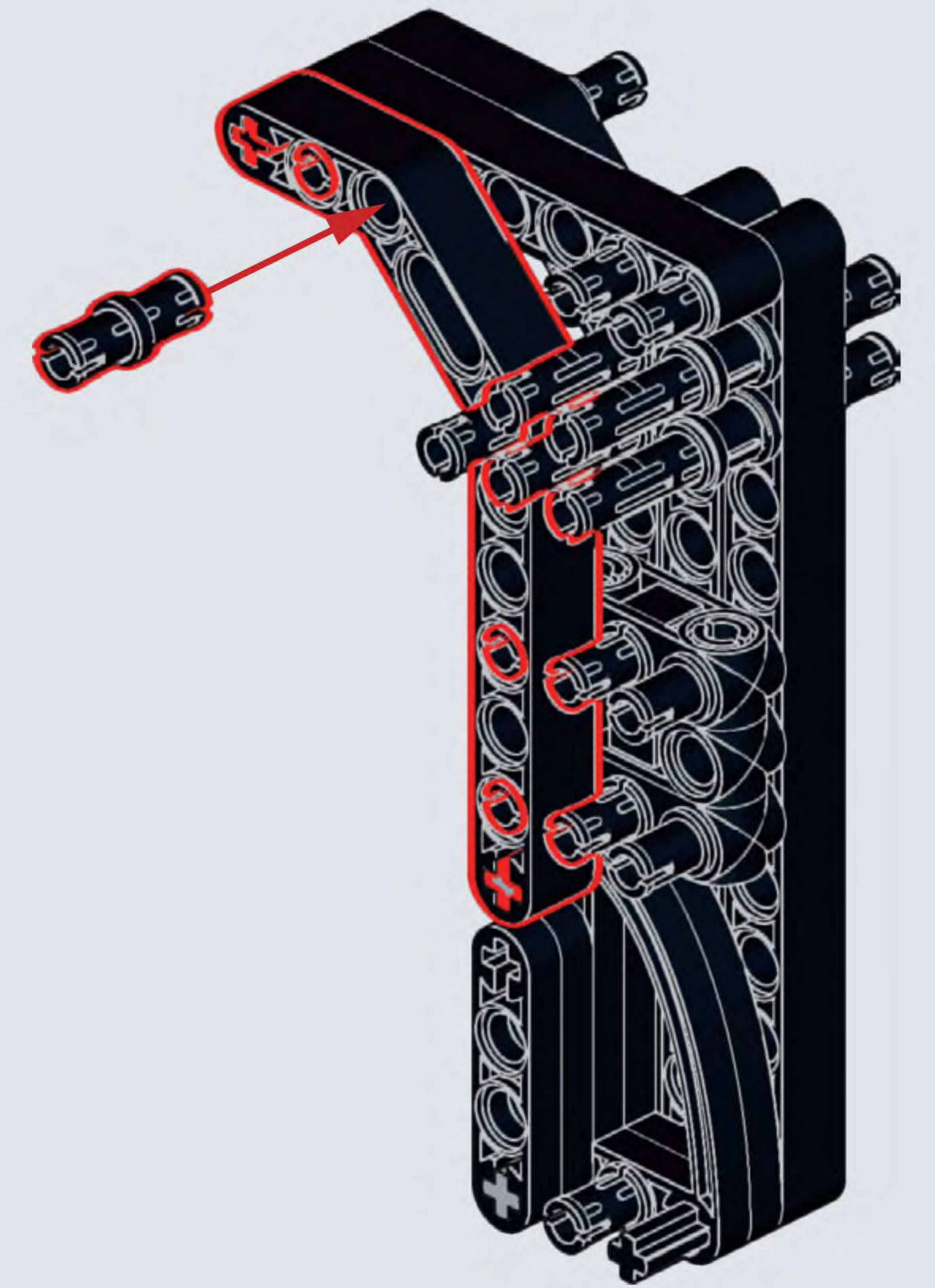




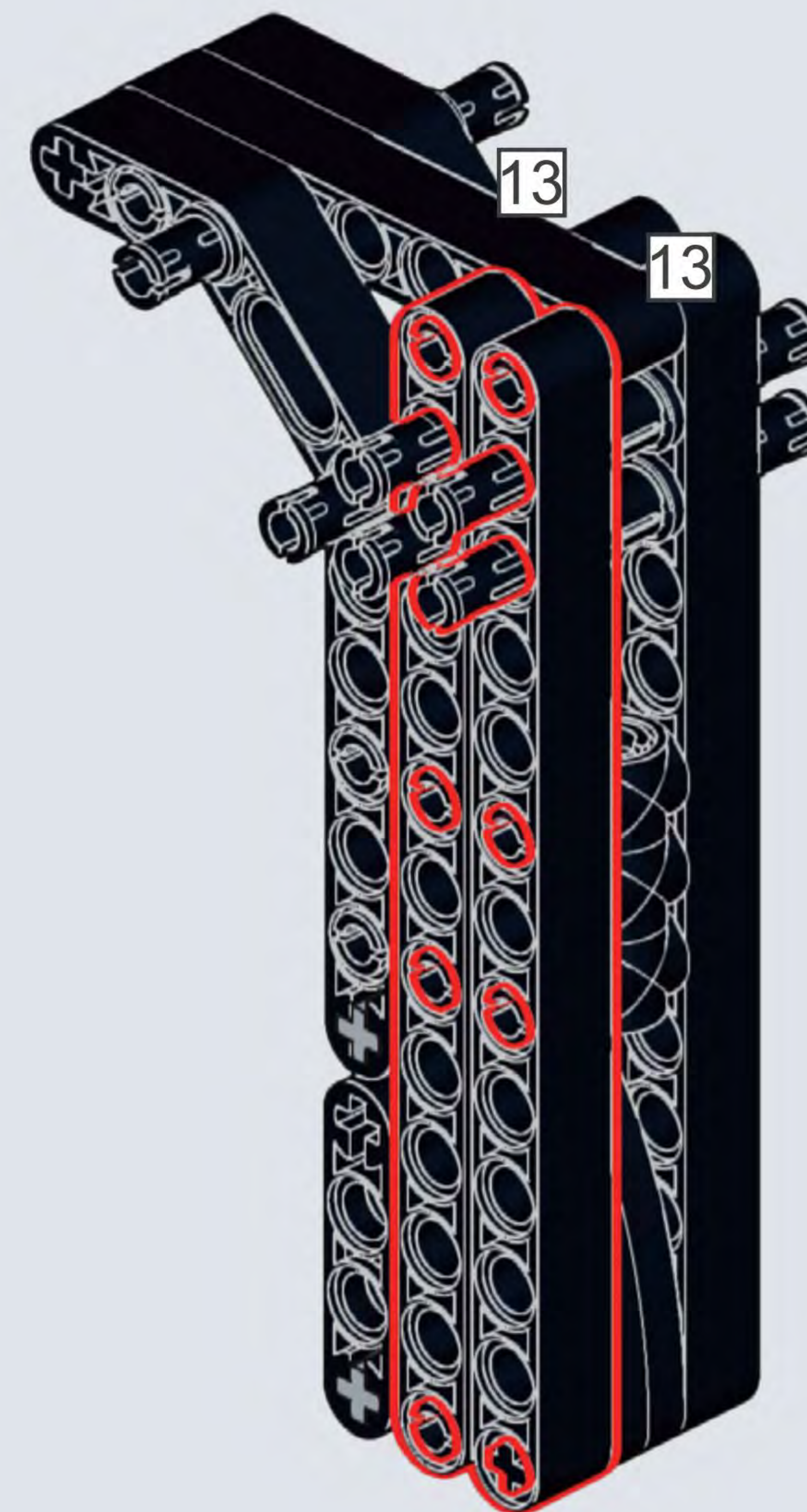
A110

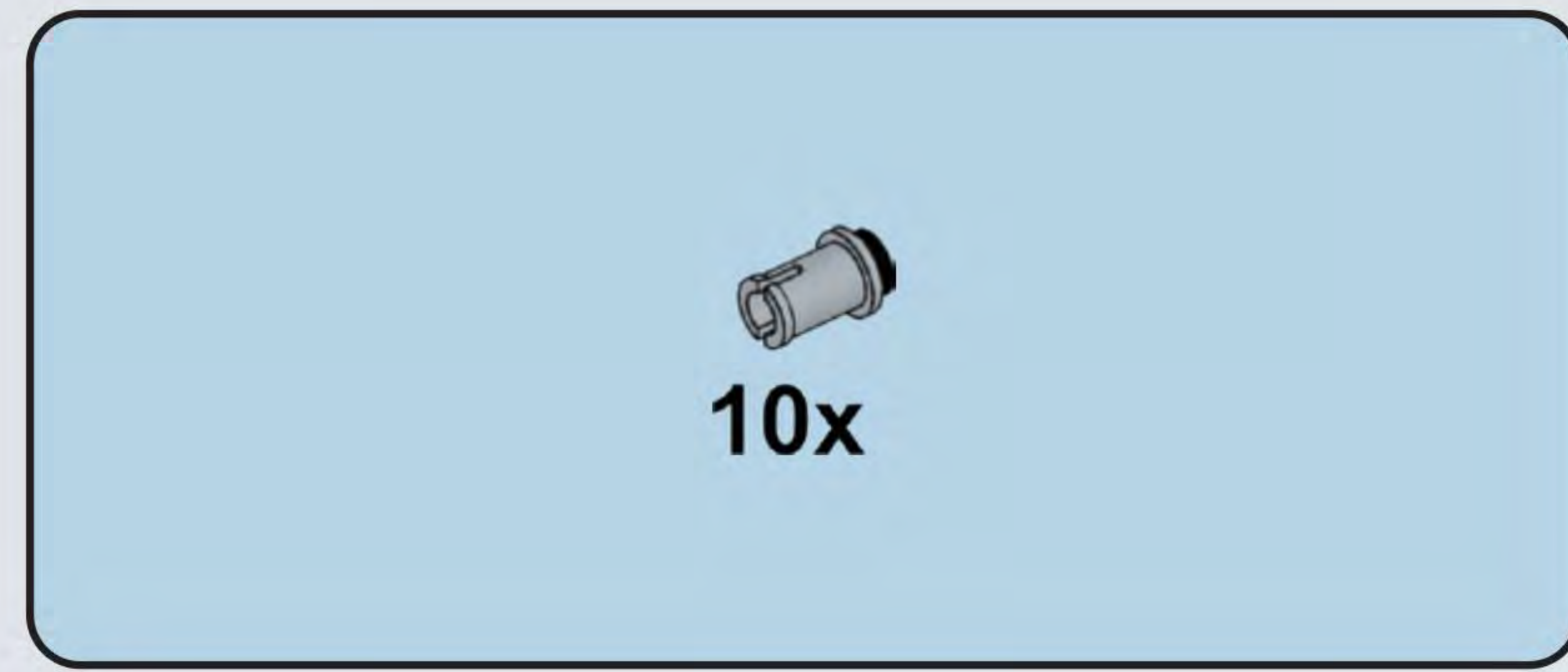


A111

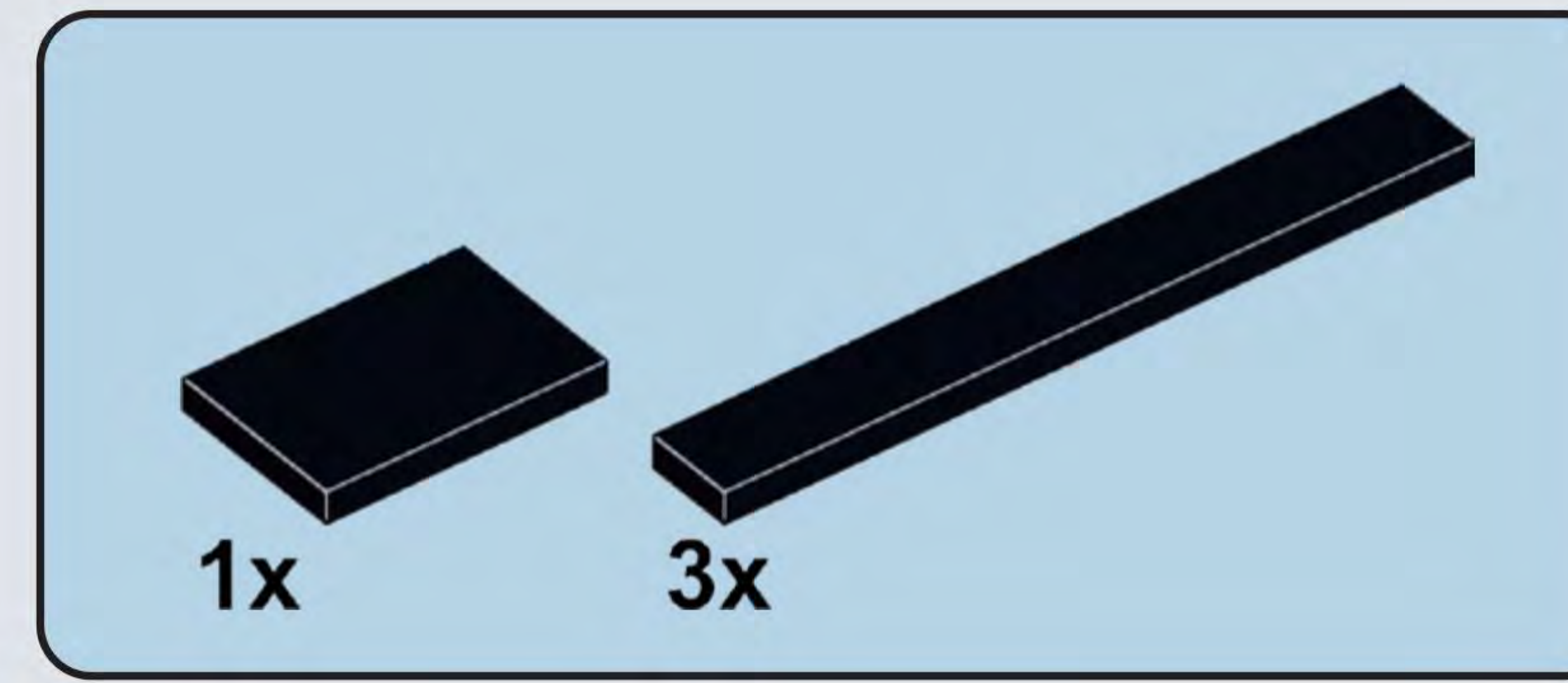
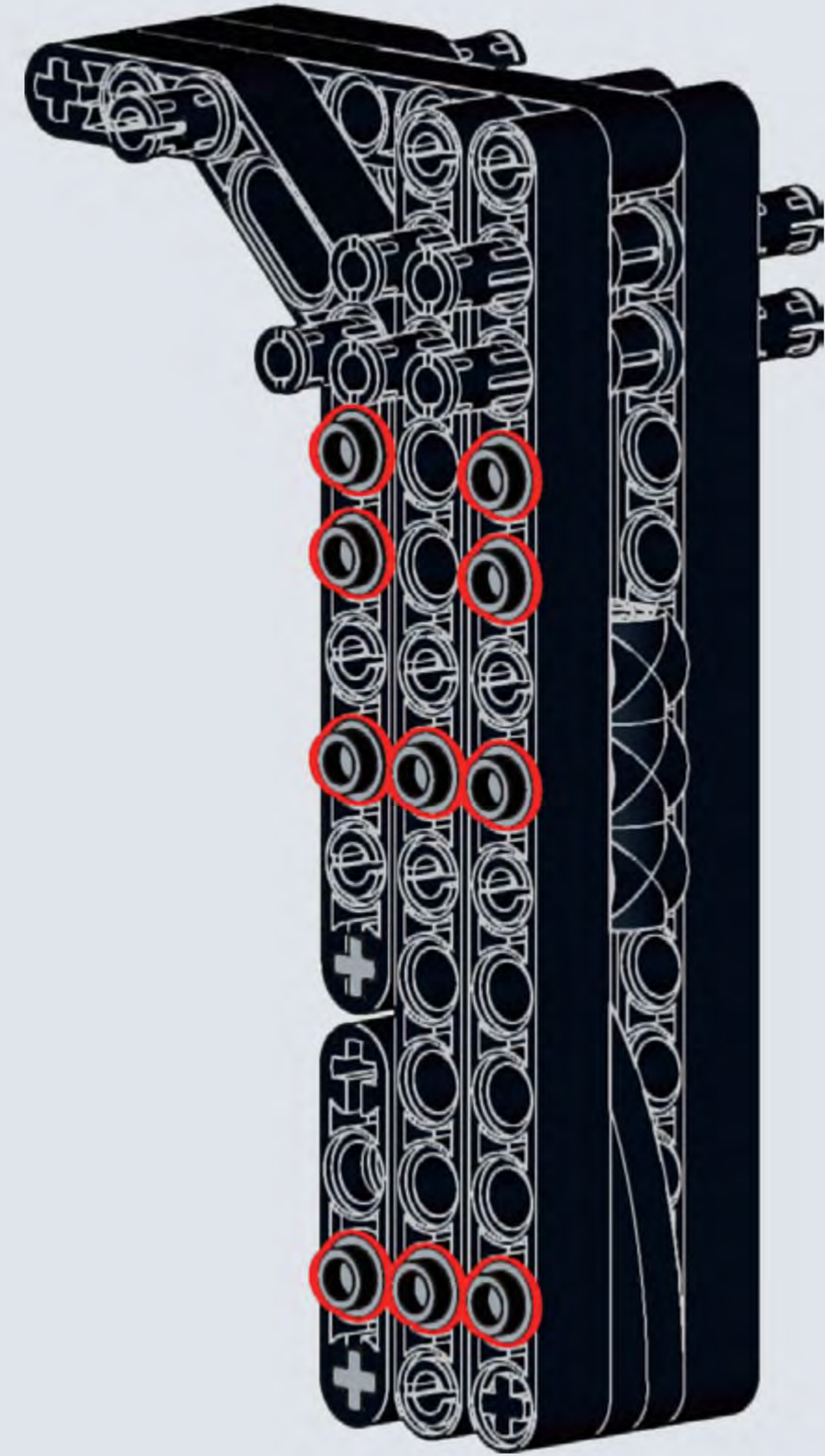


A112

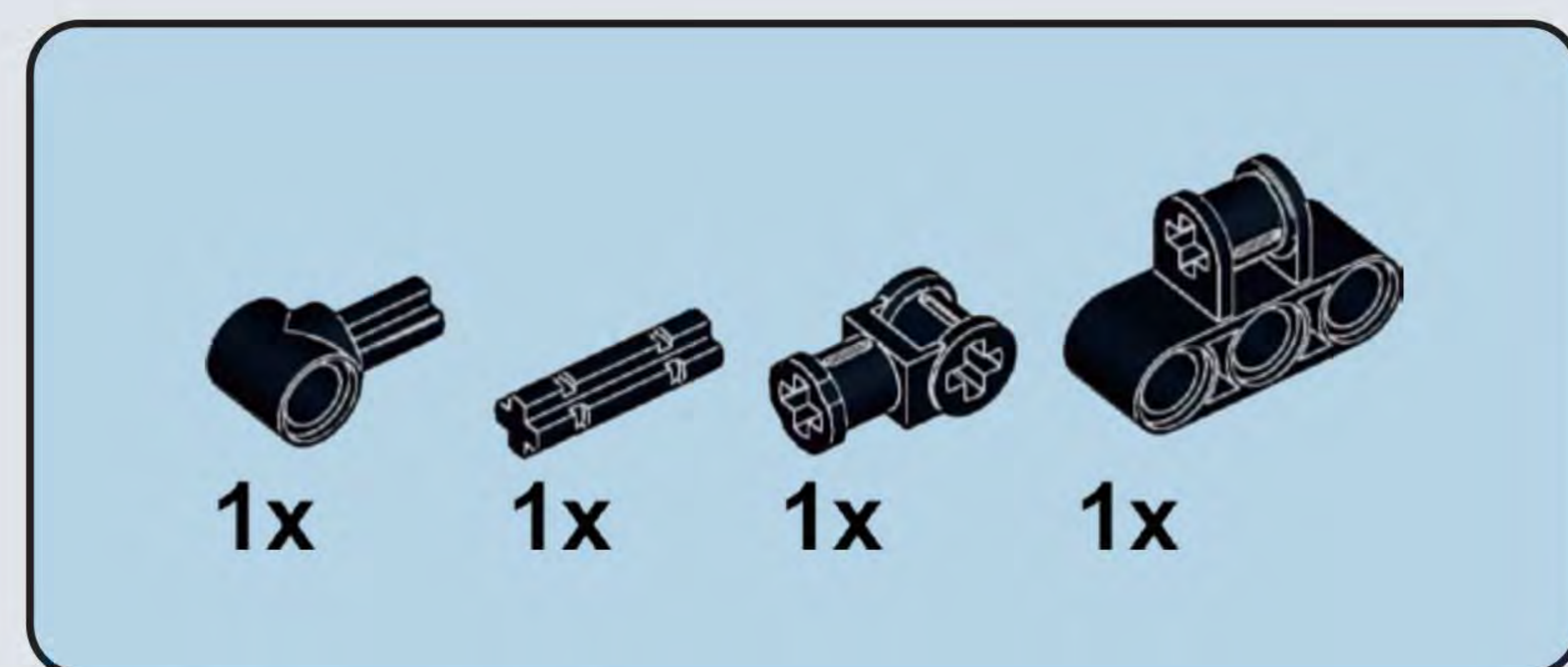
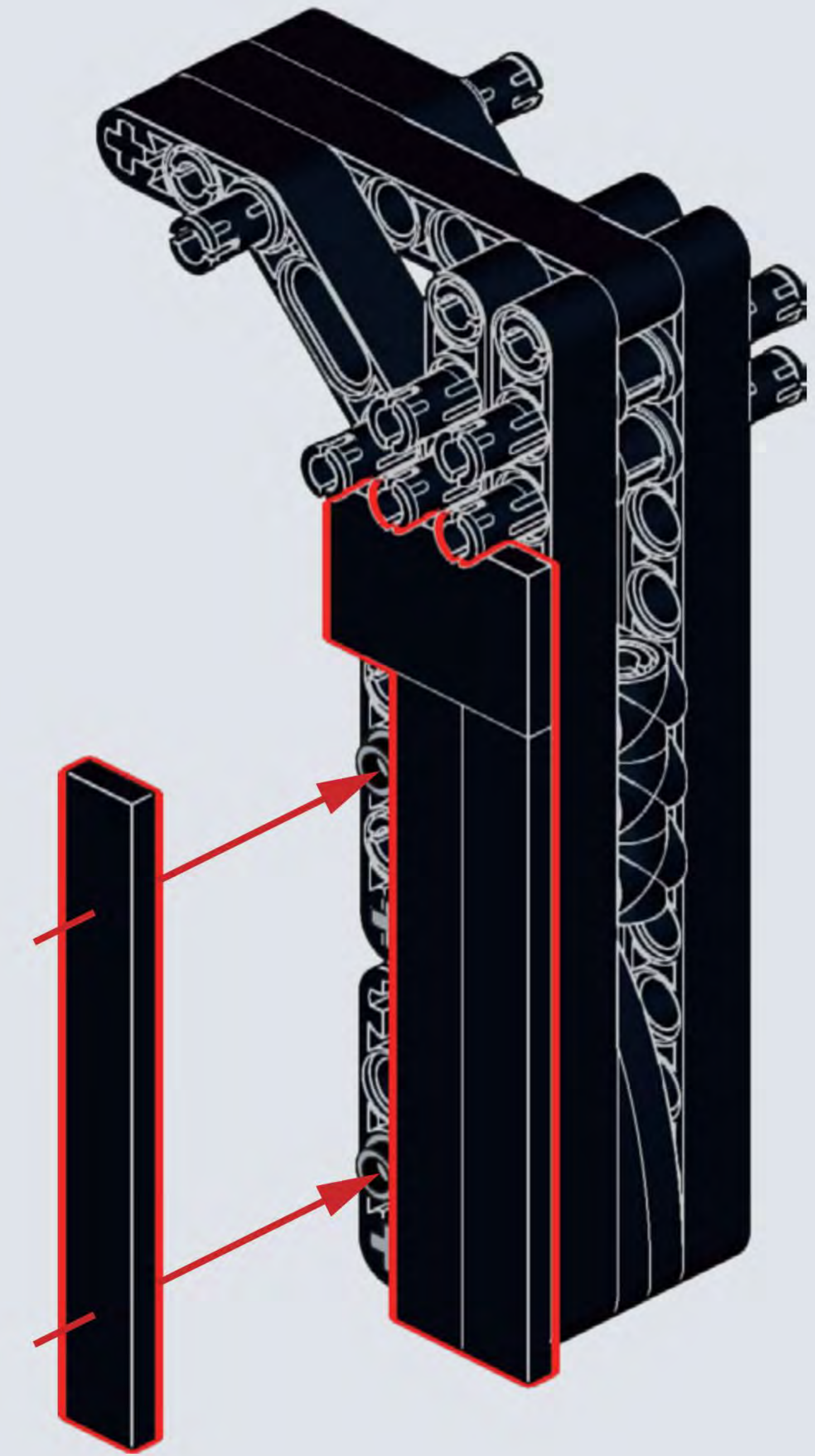




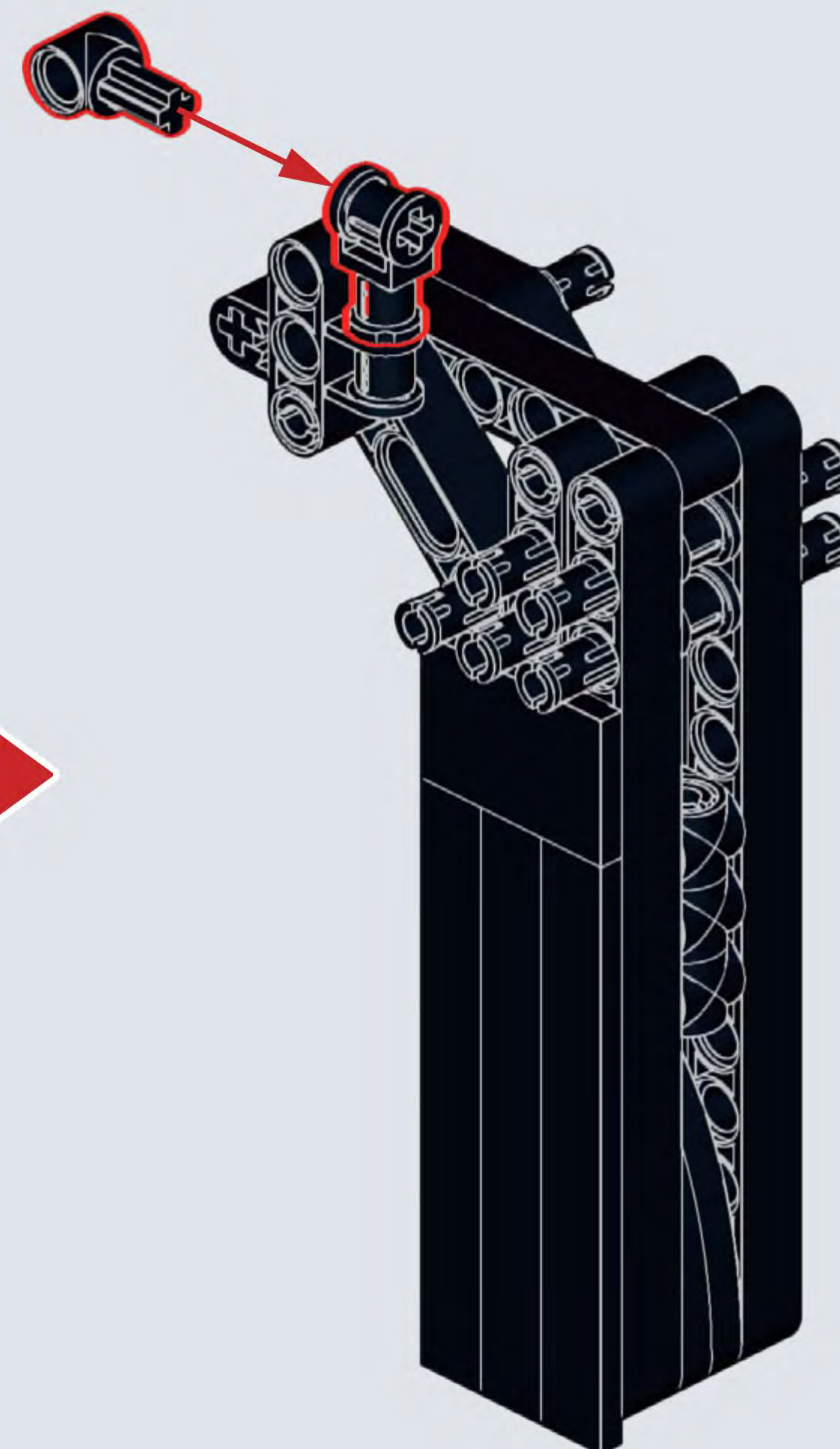
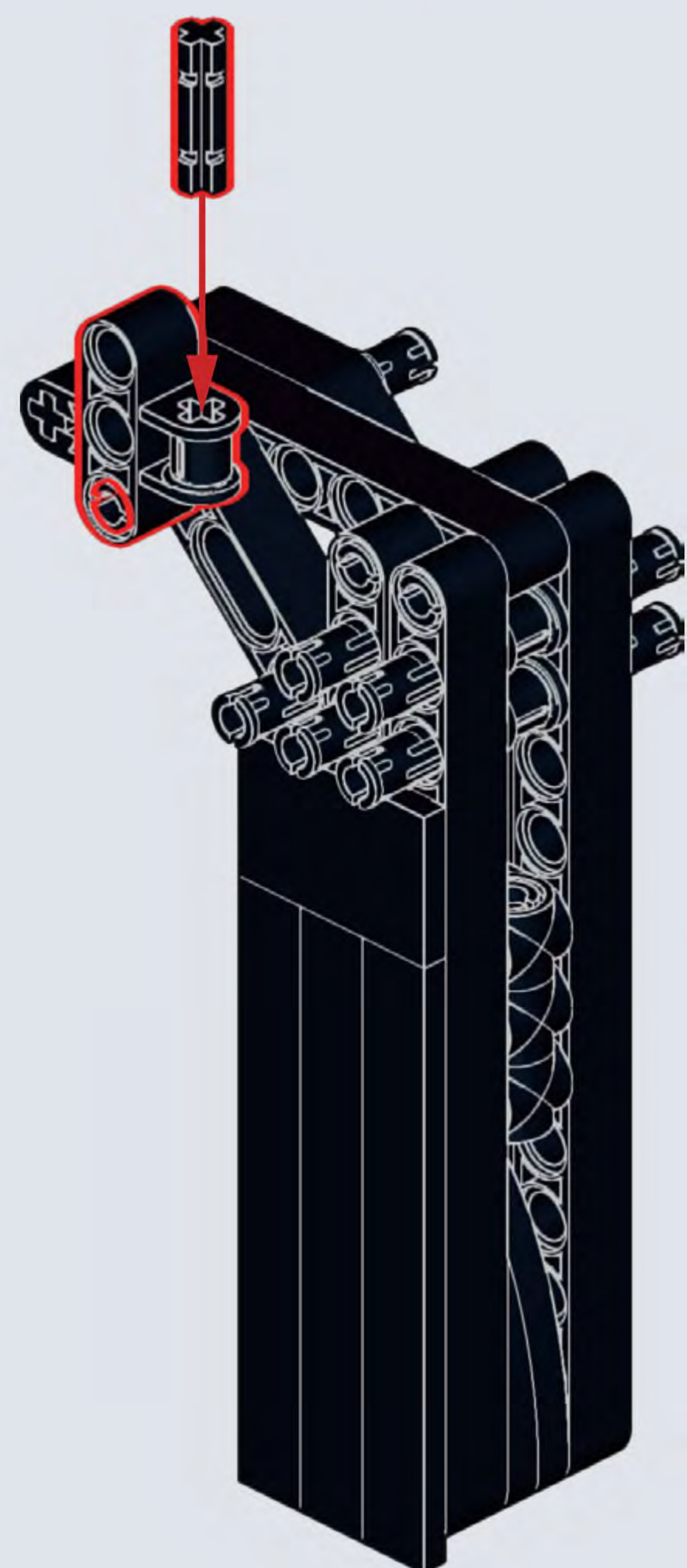
A113

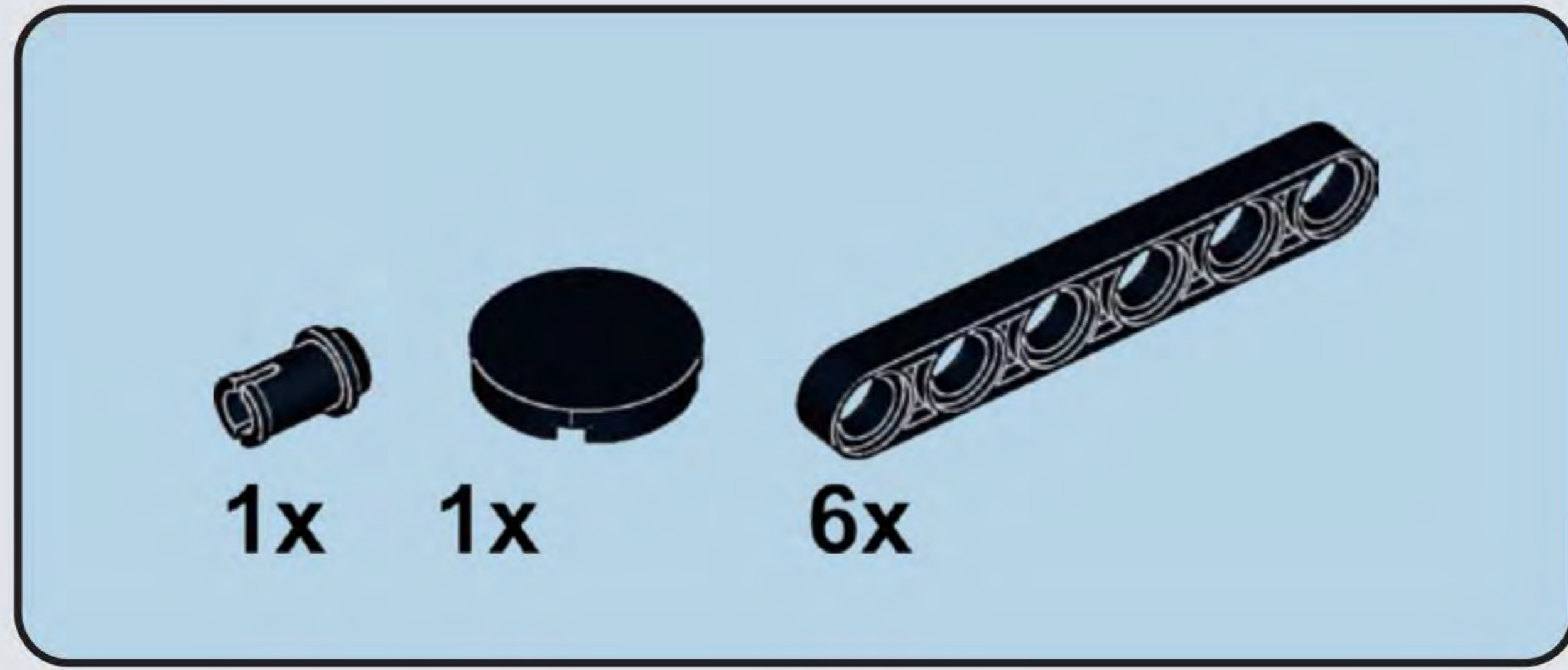


A114

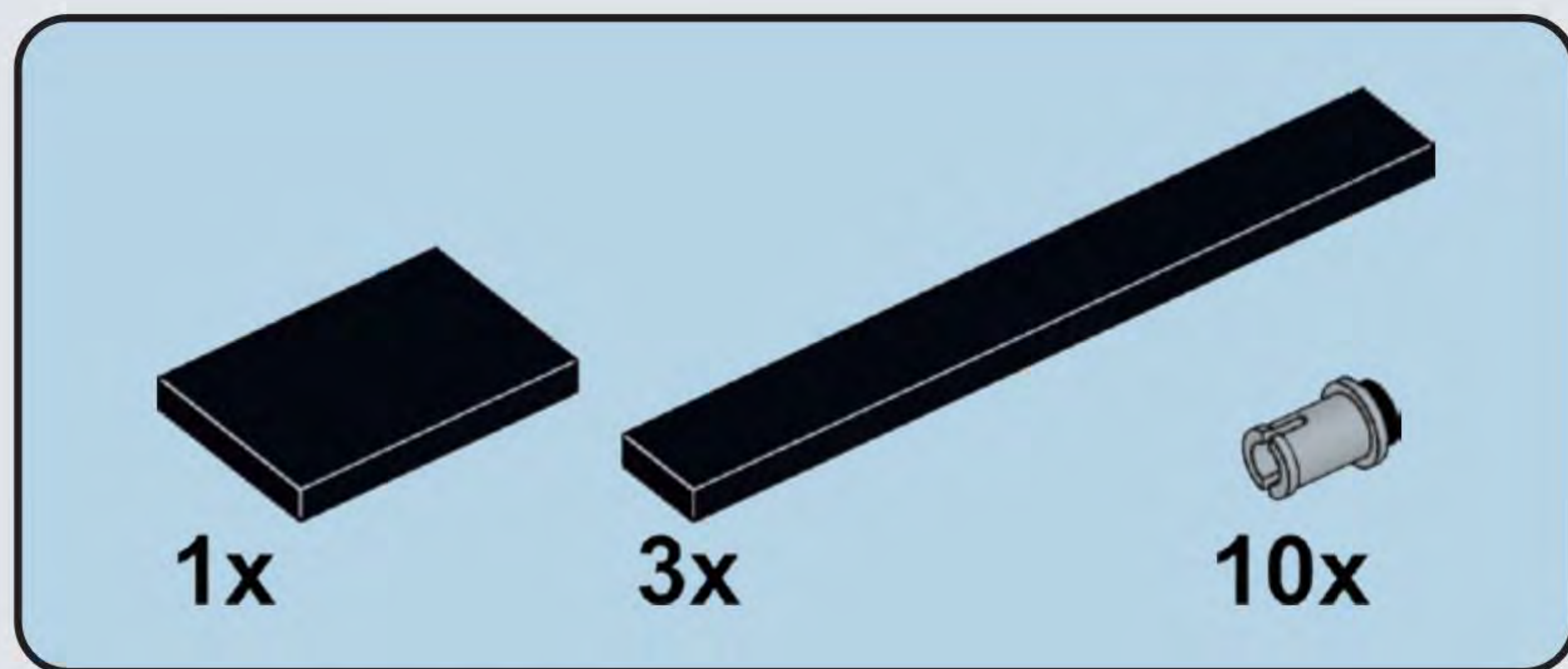
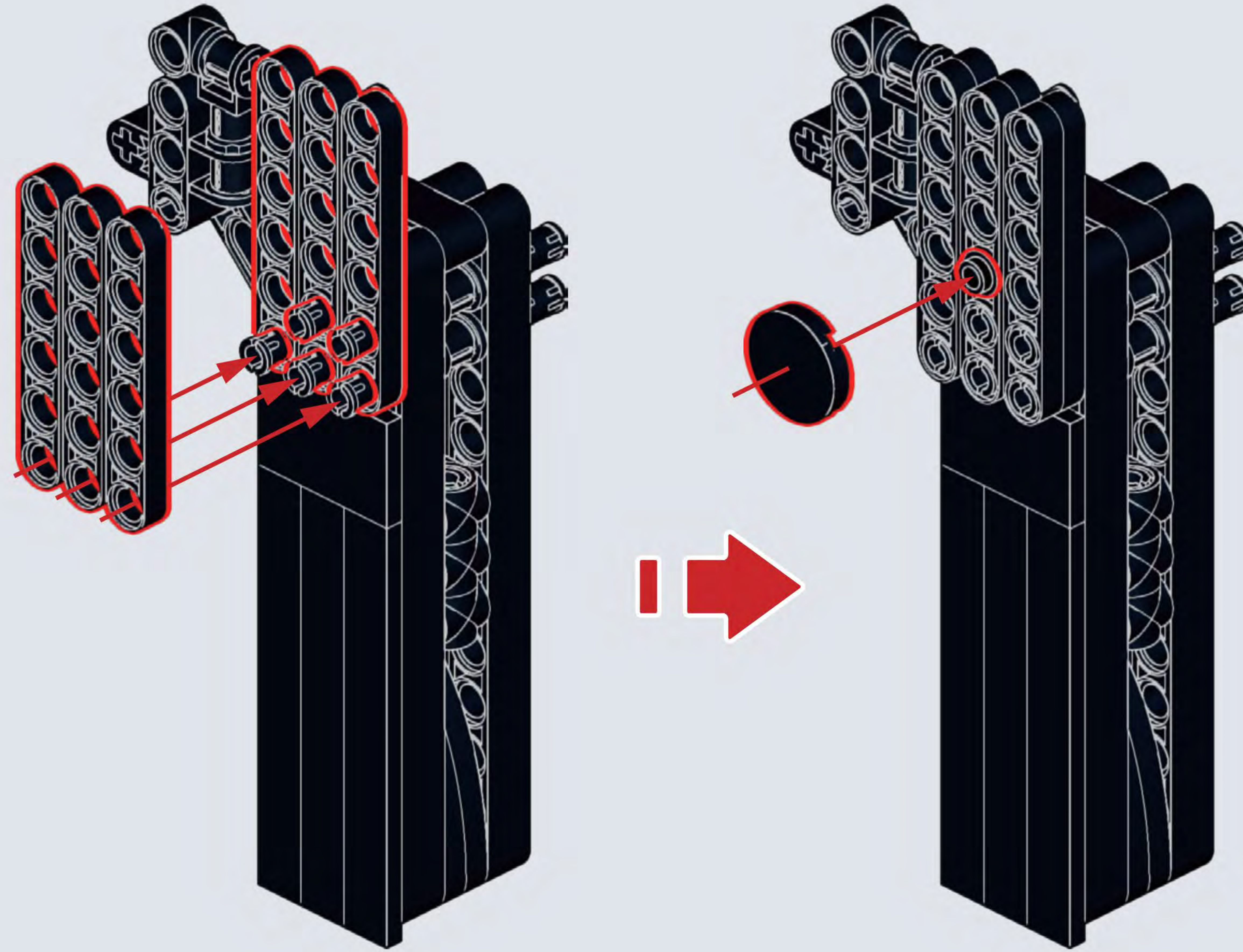


A115

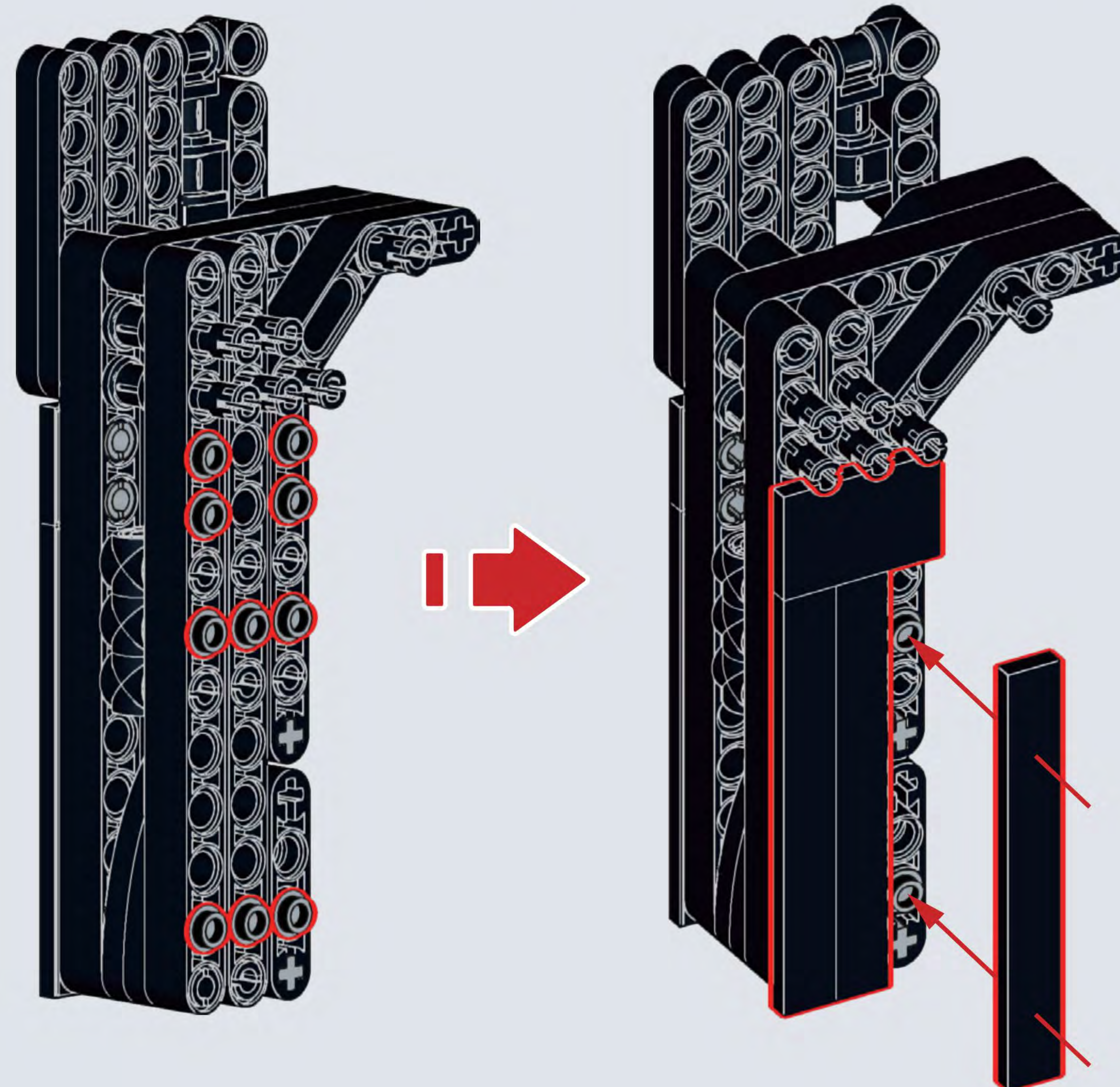
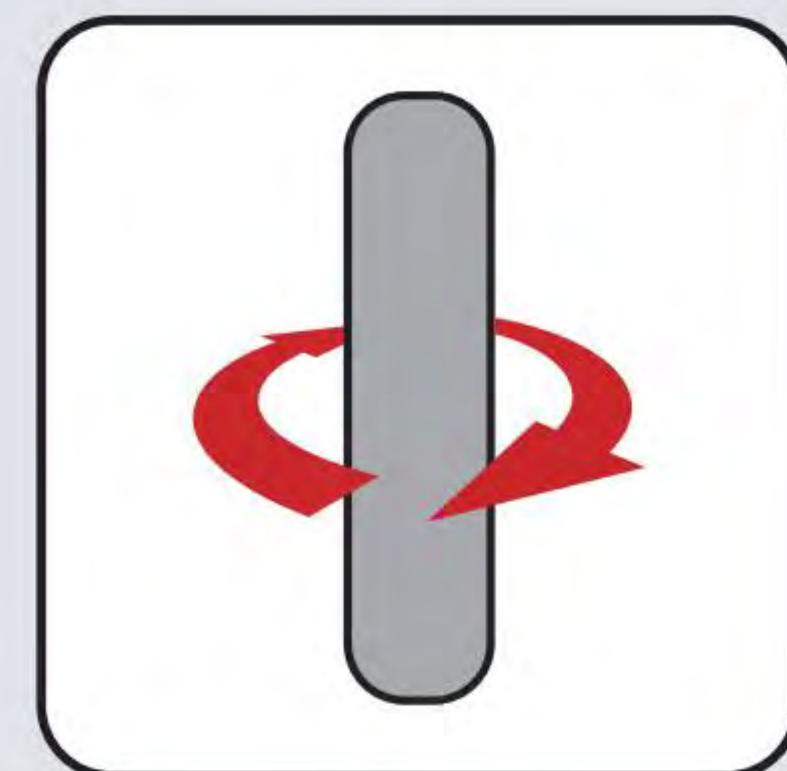


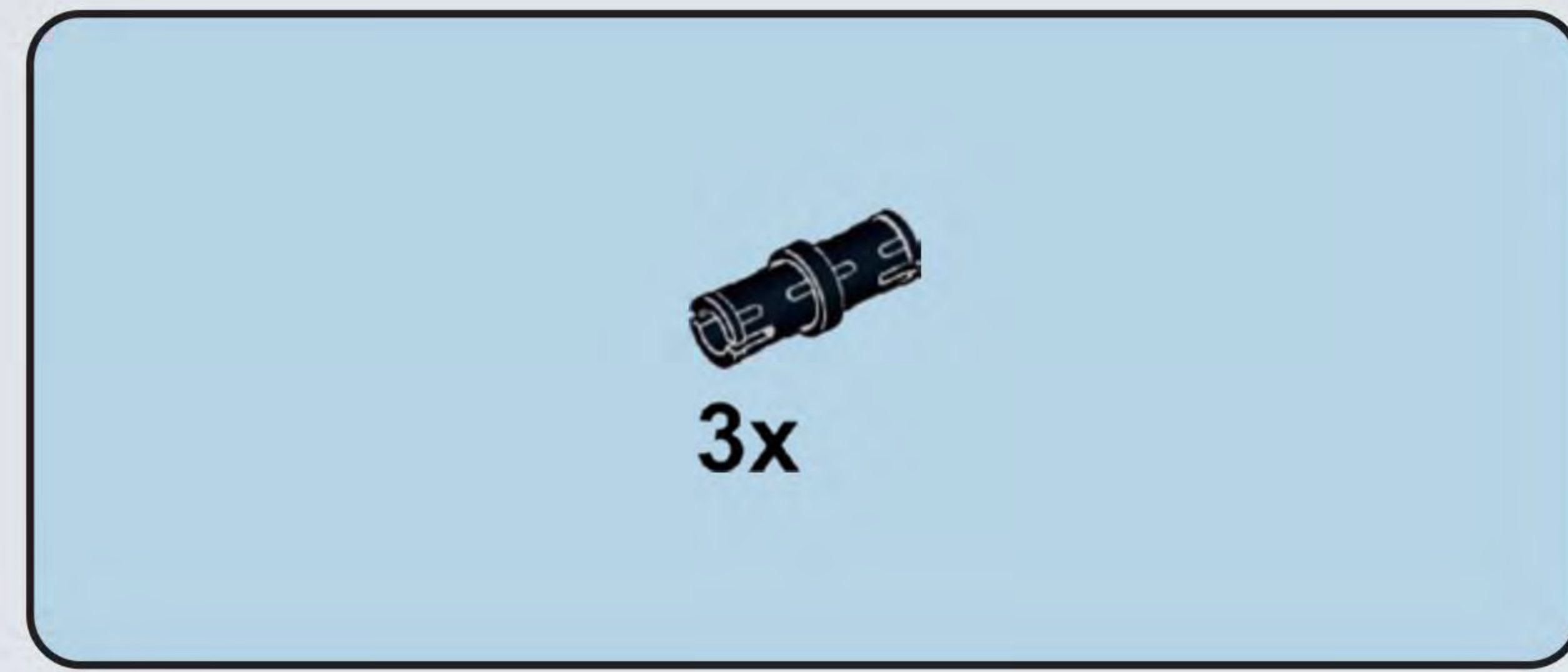


A116

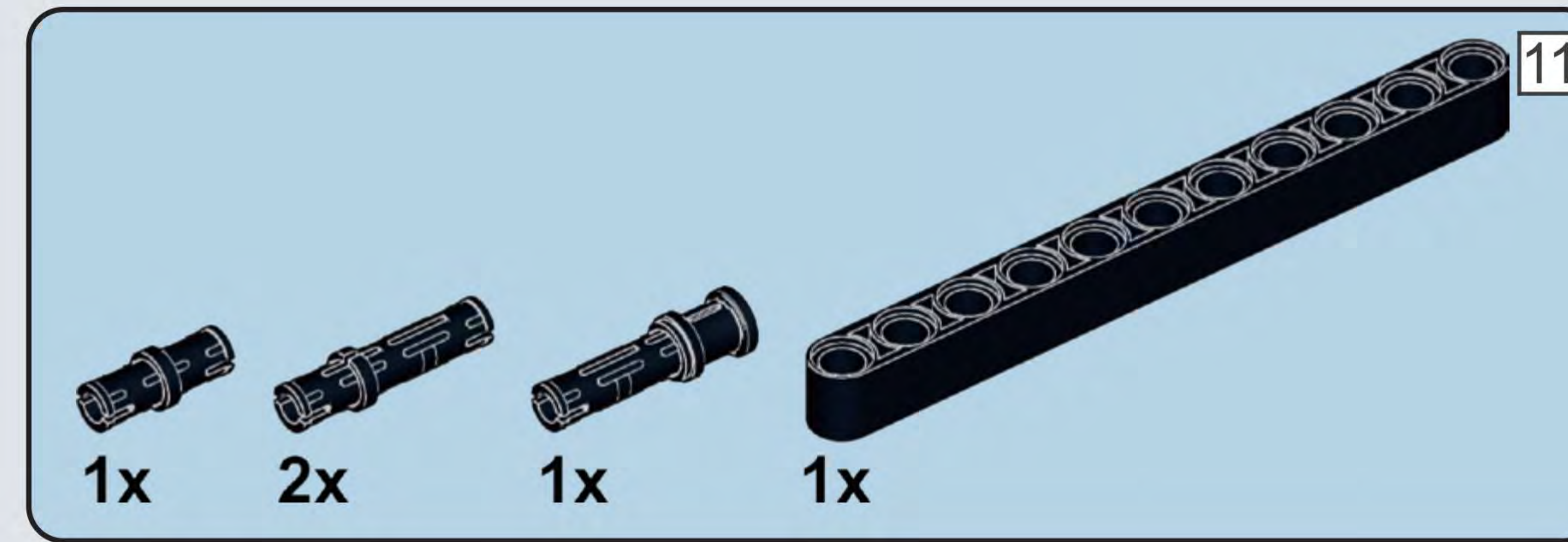
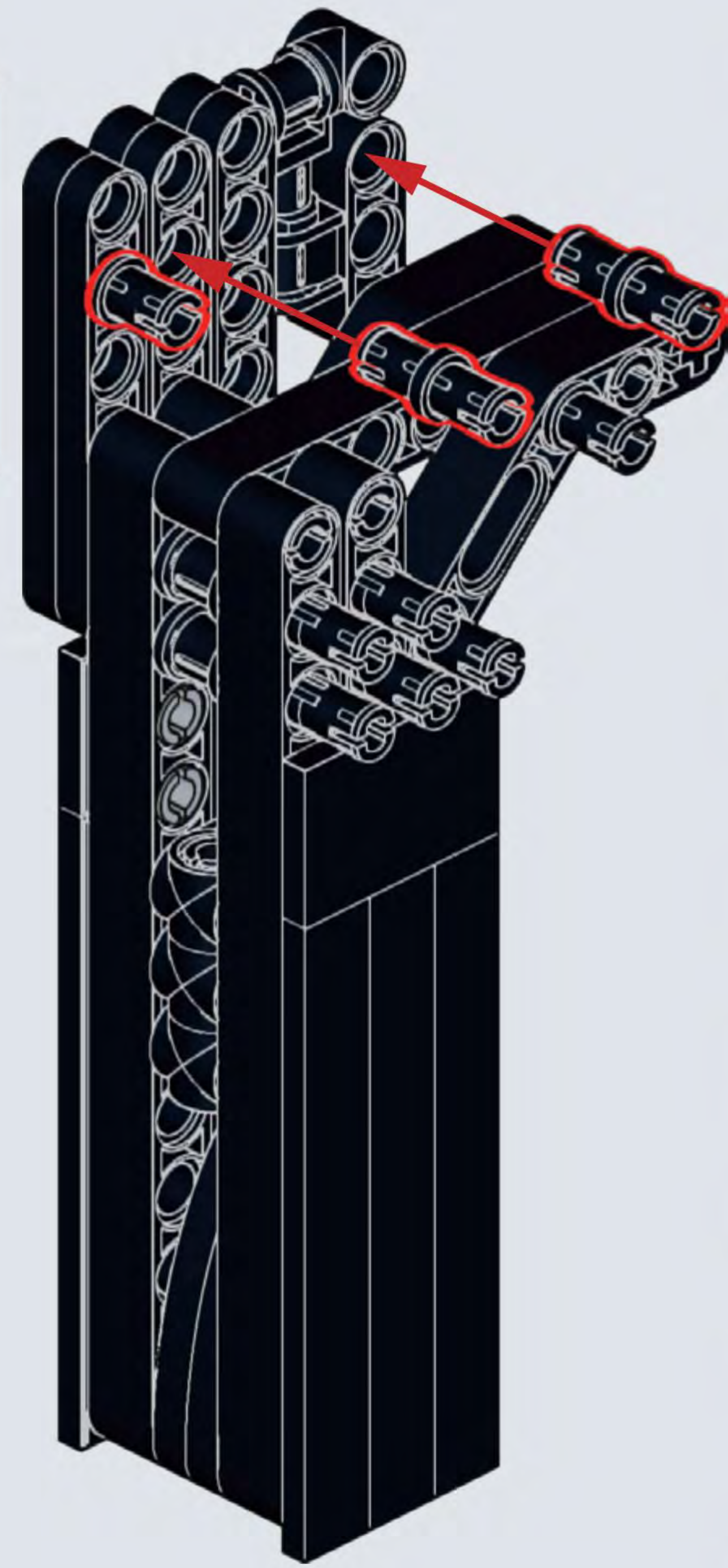


A117

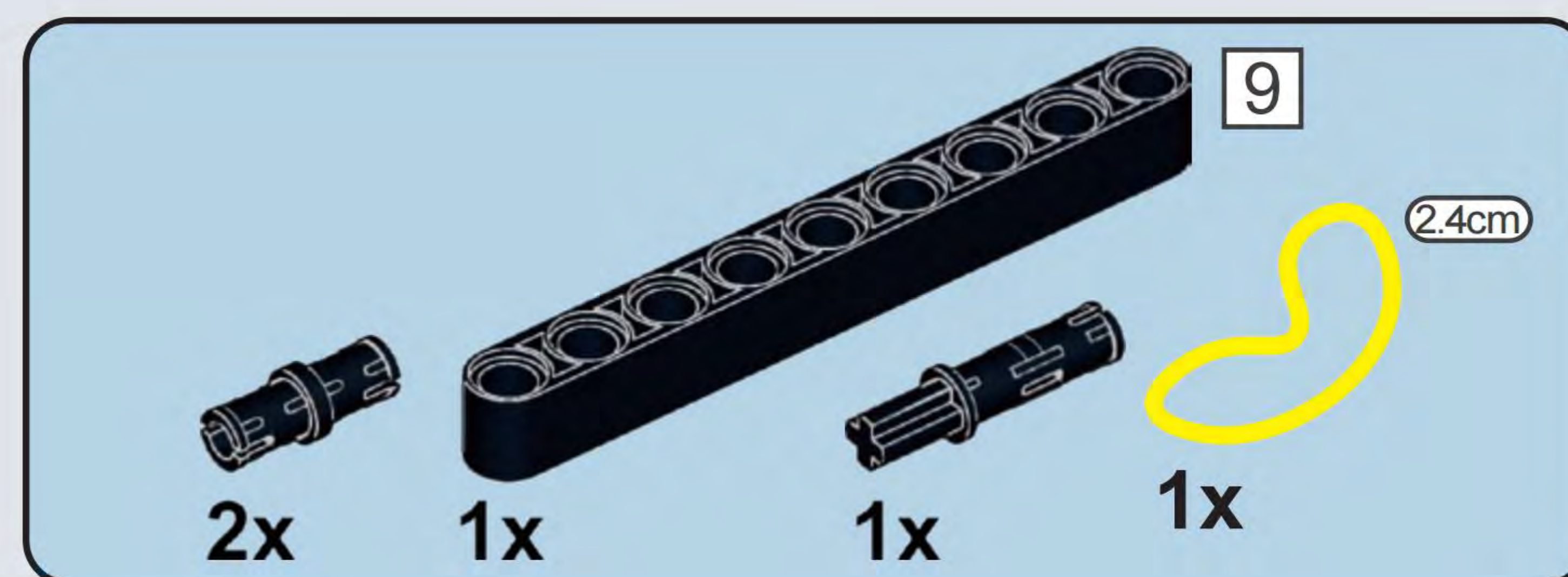
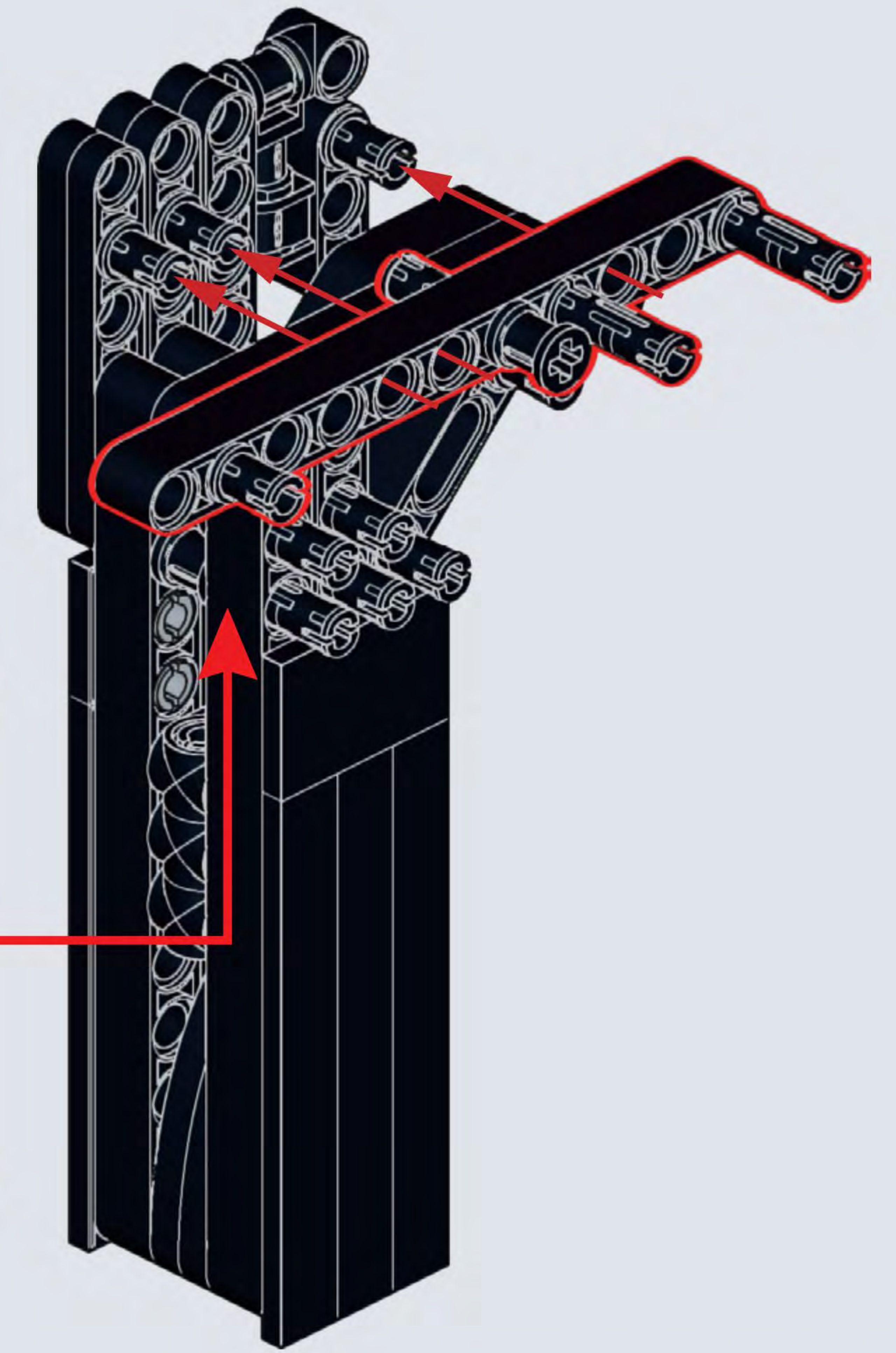
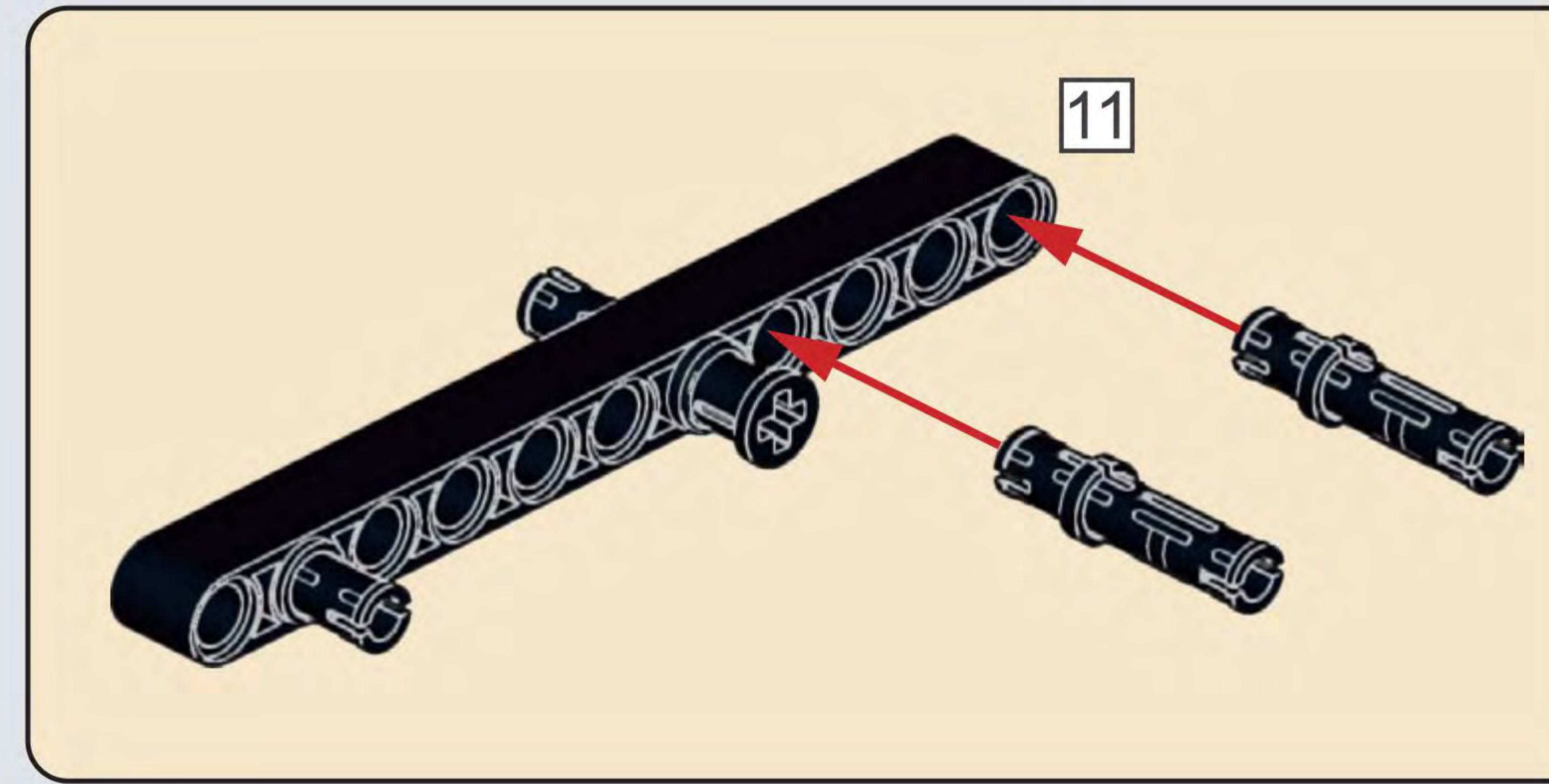




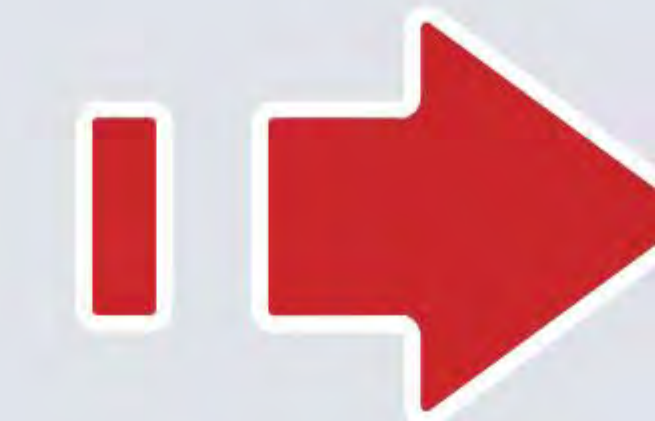
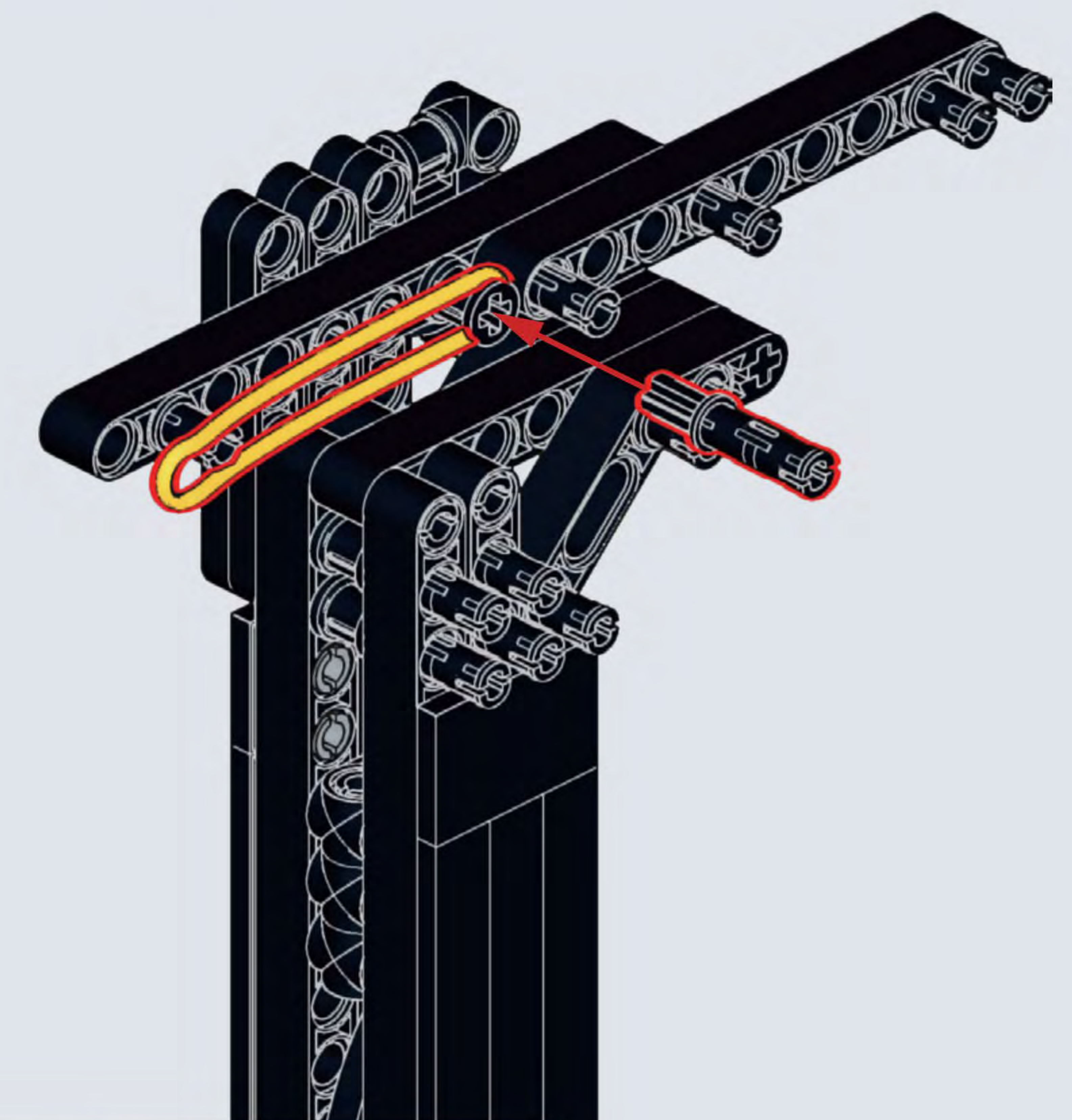
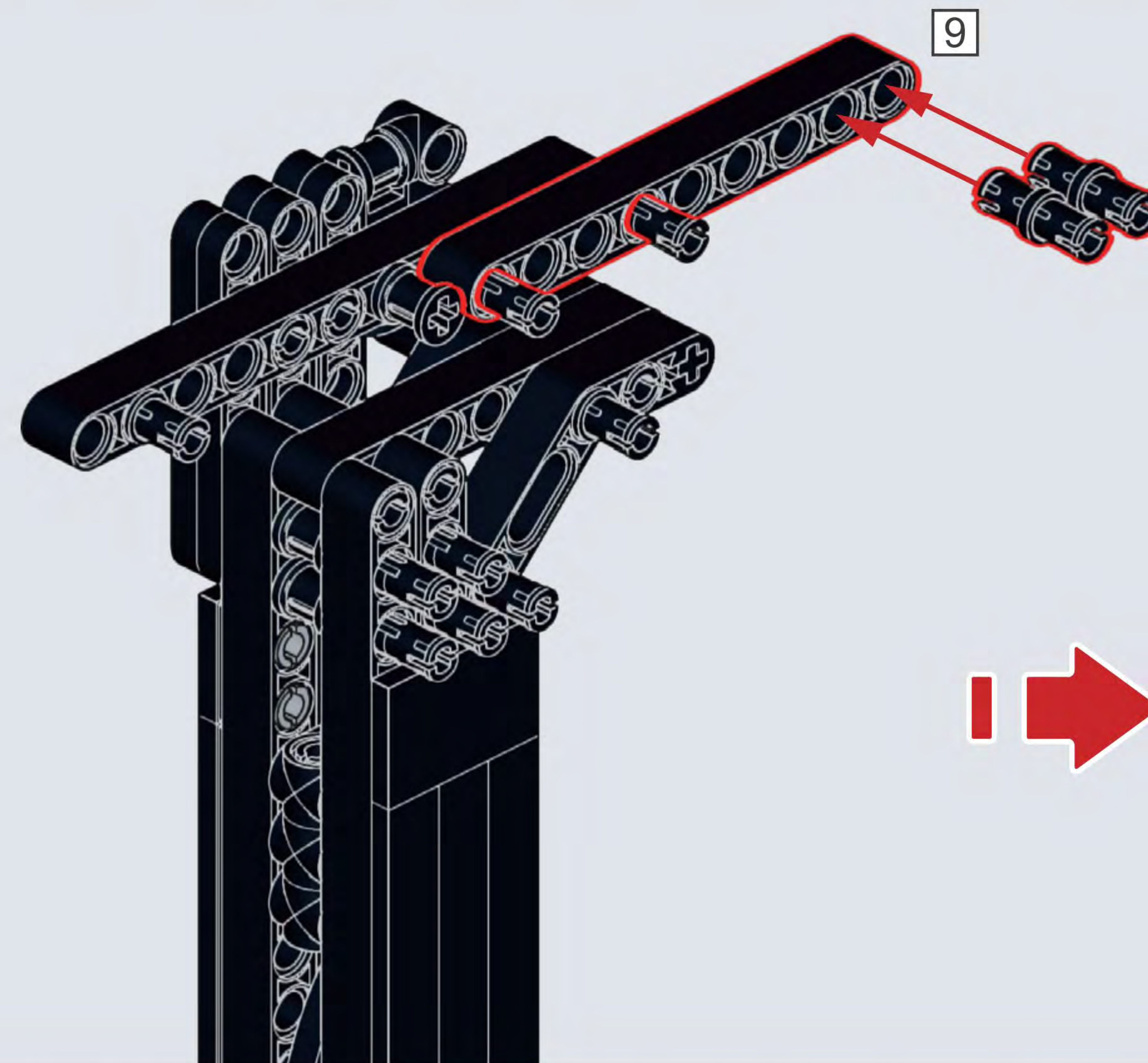
A118

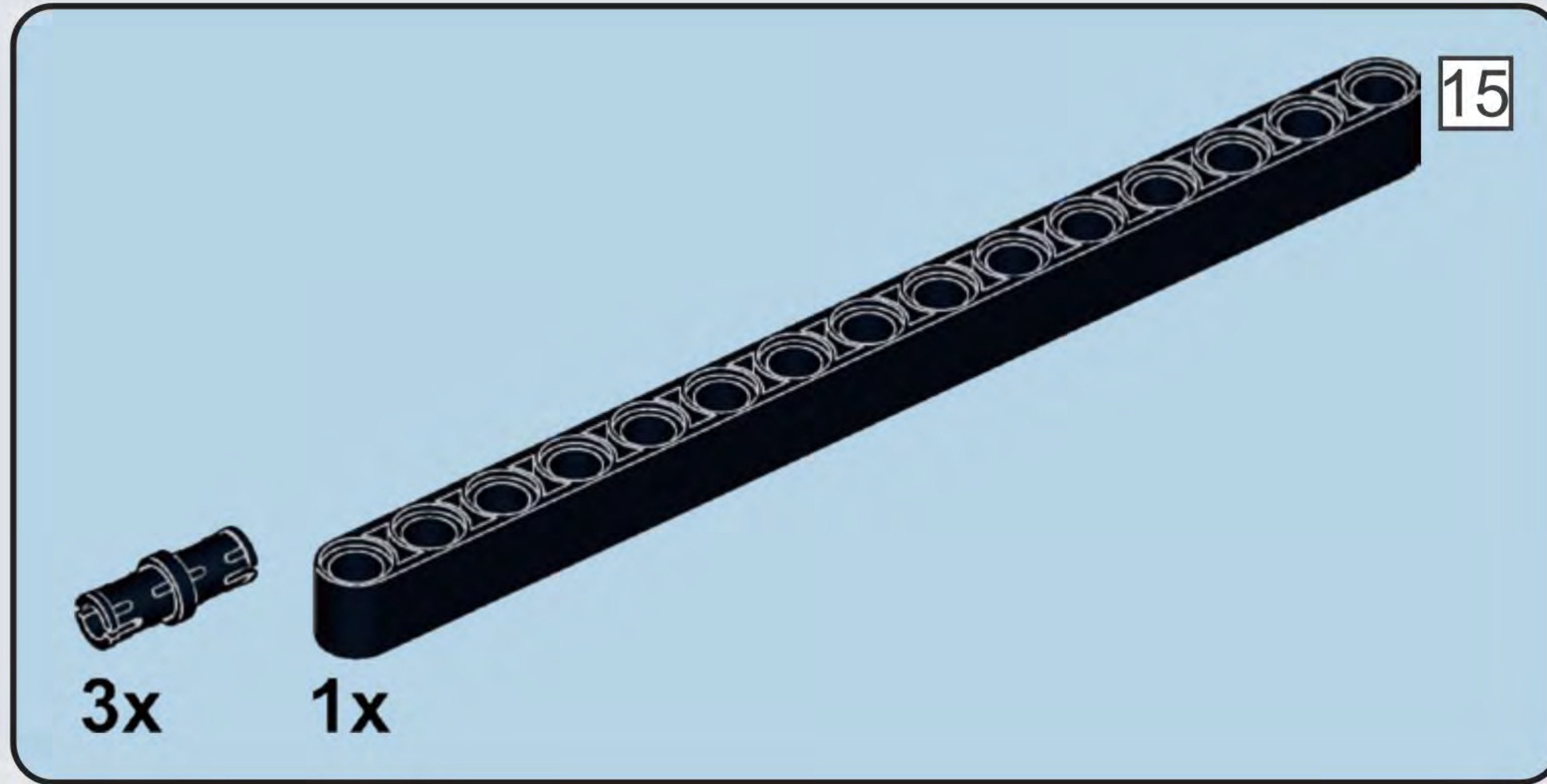


A119

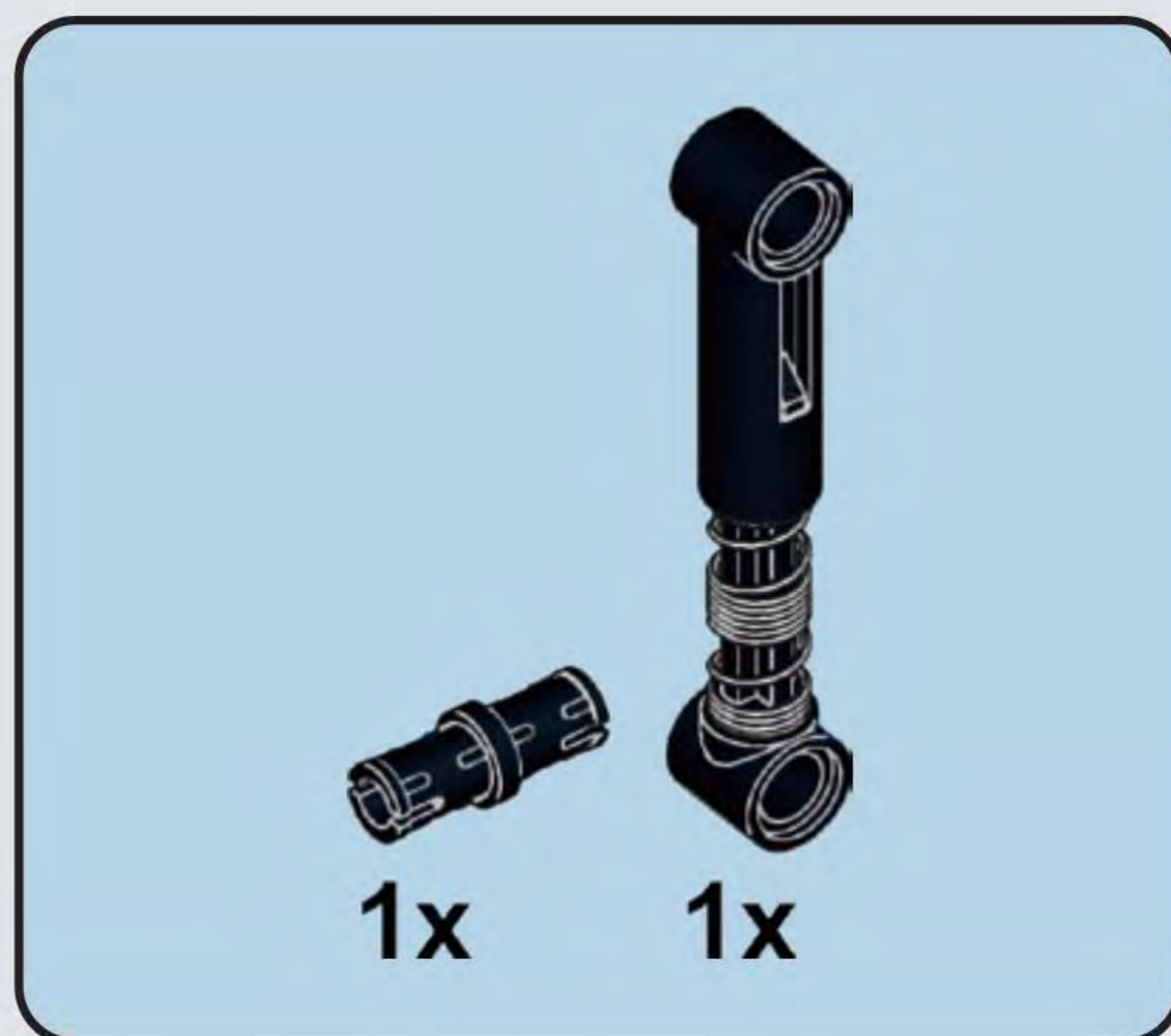
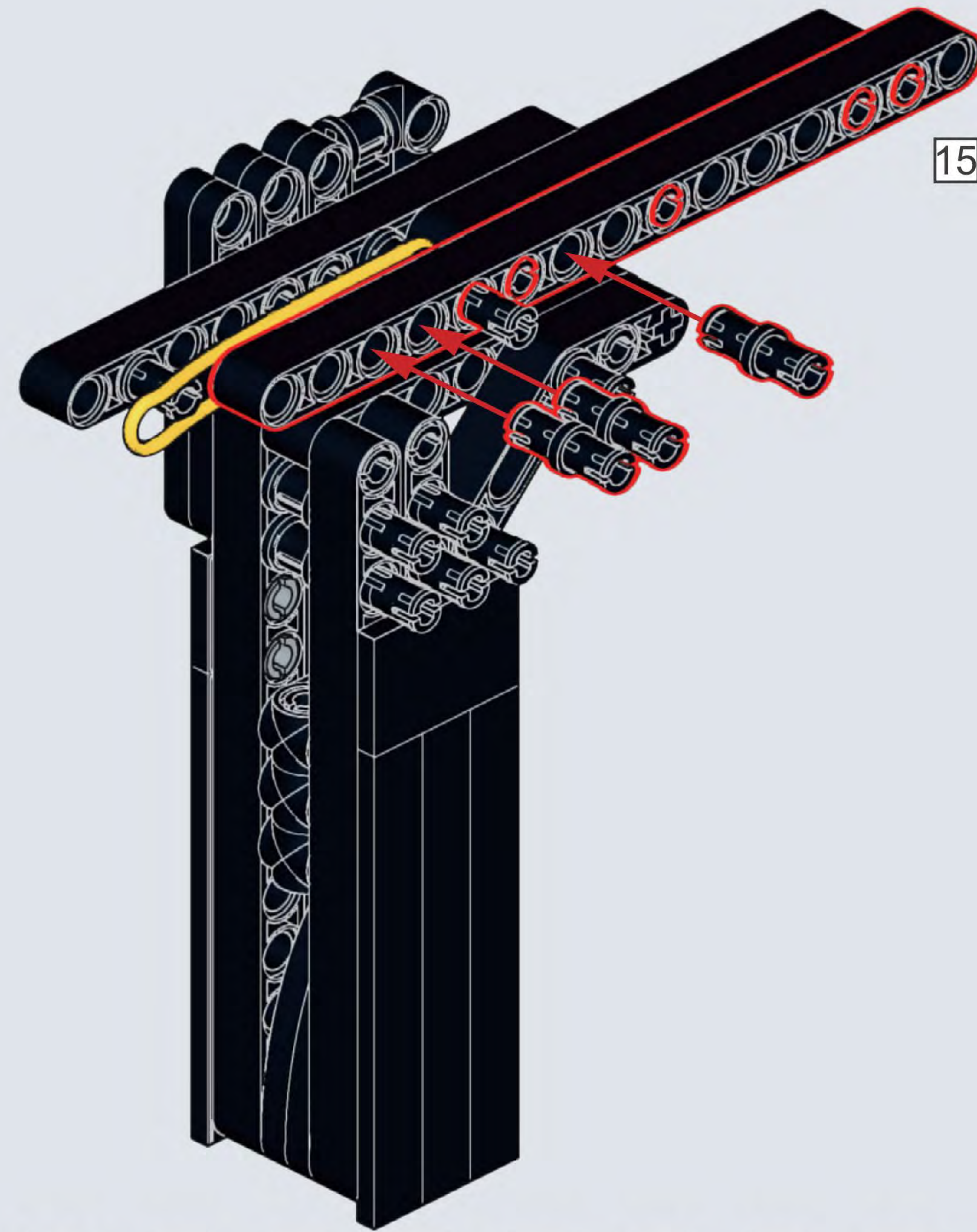


A120

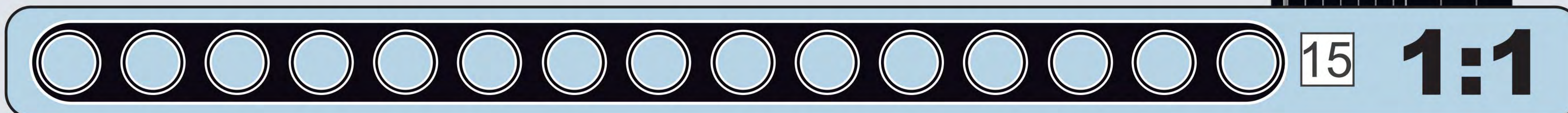
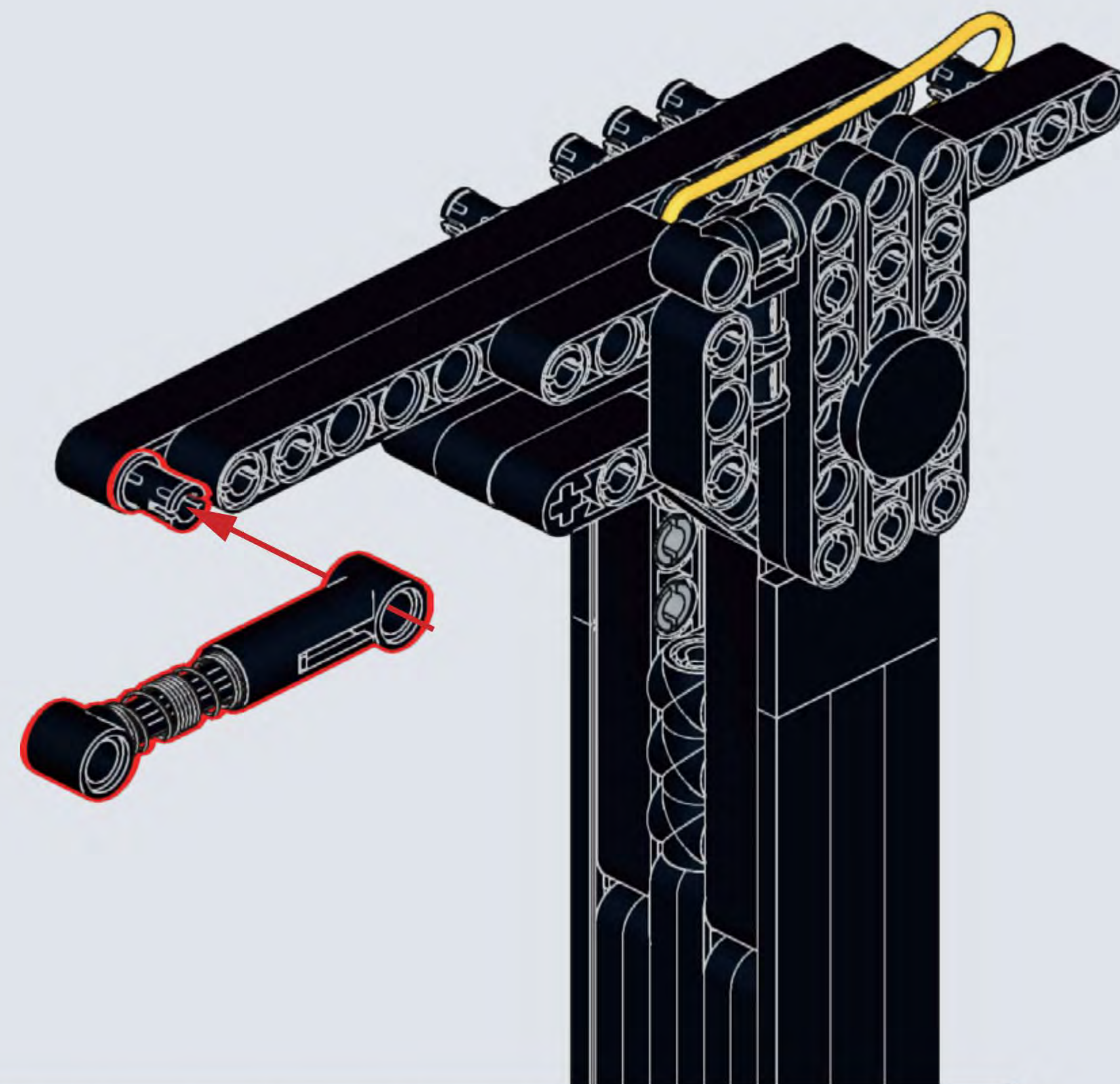




A121

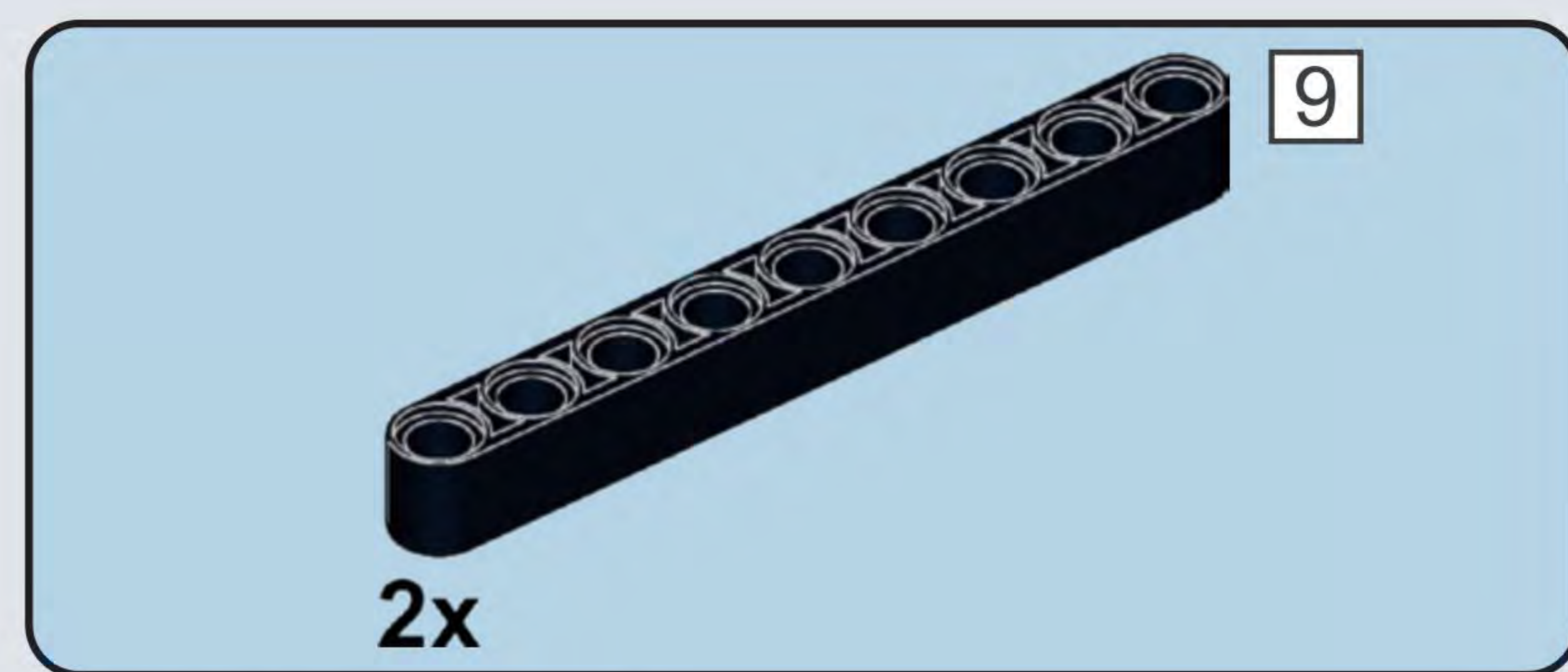
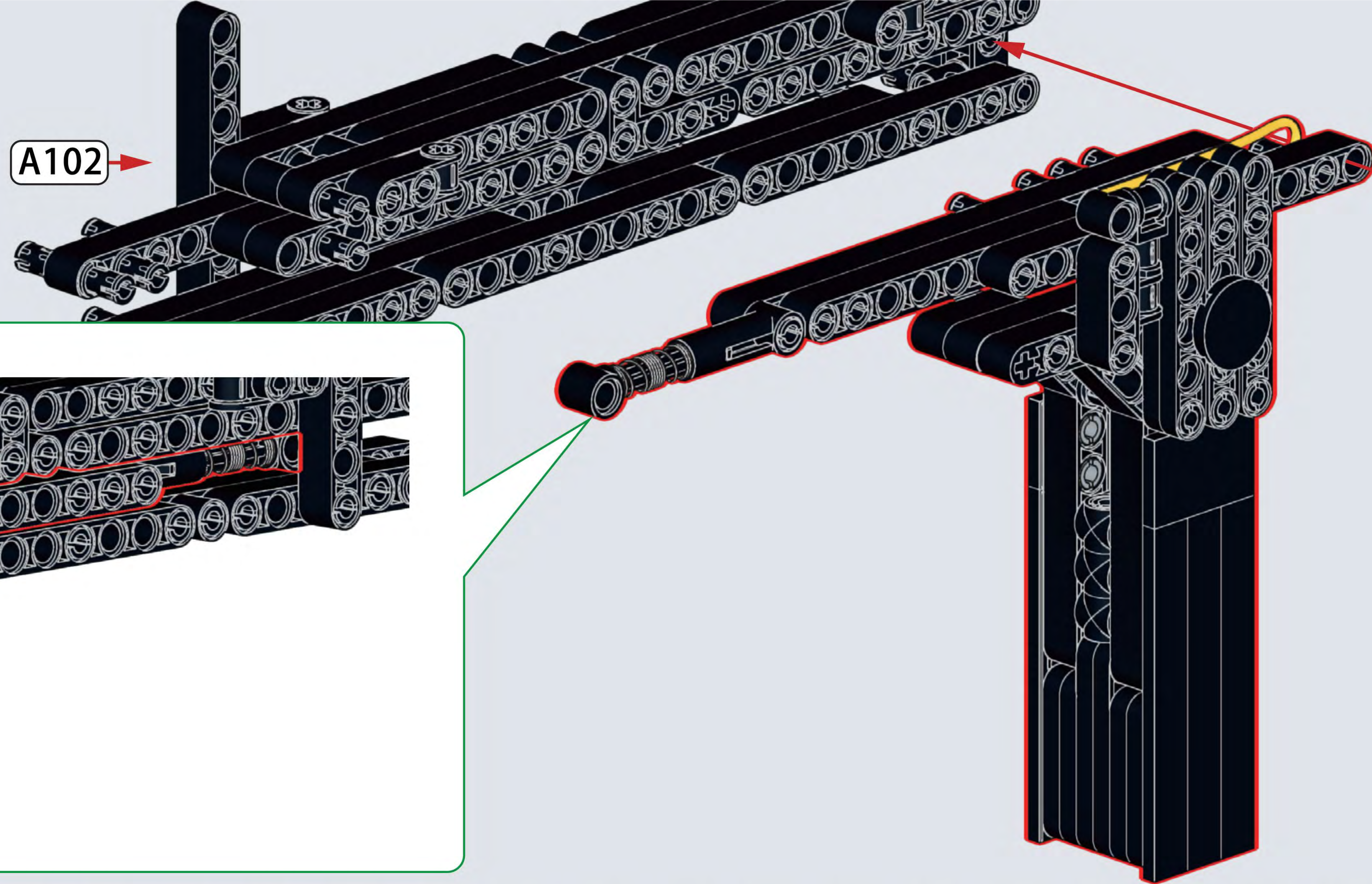
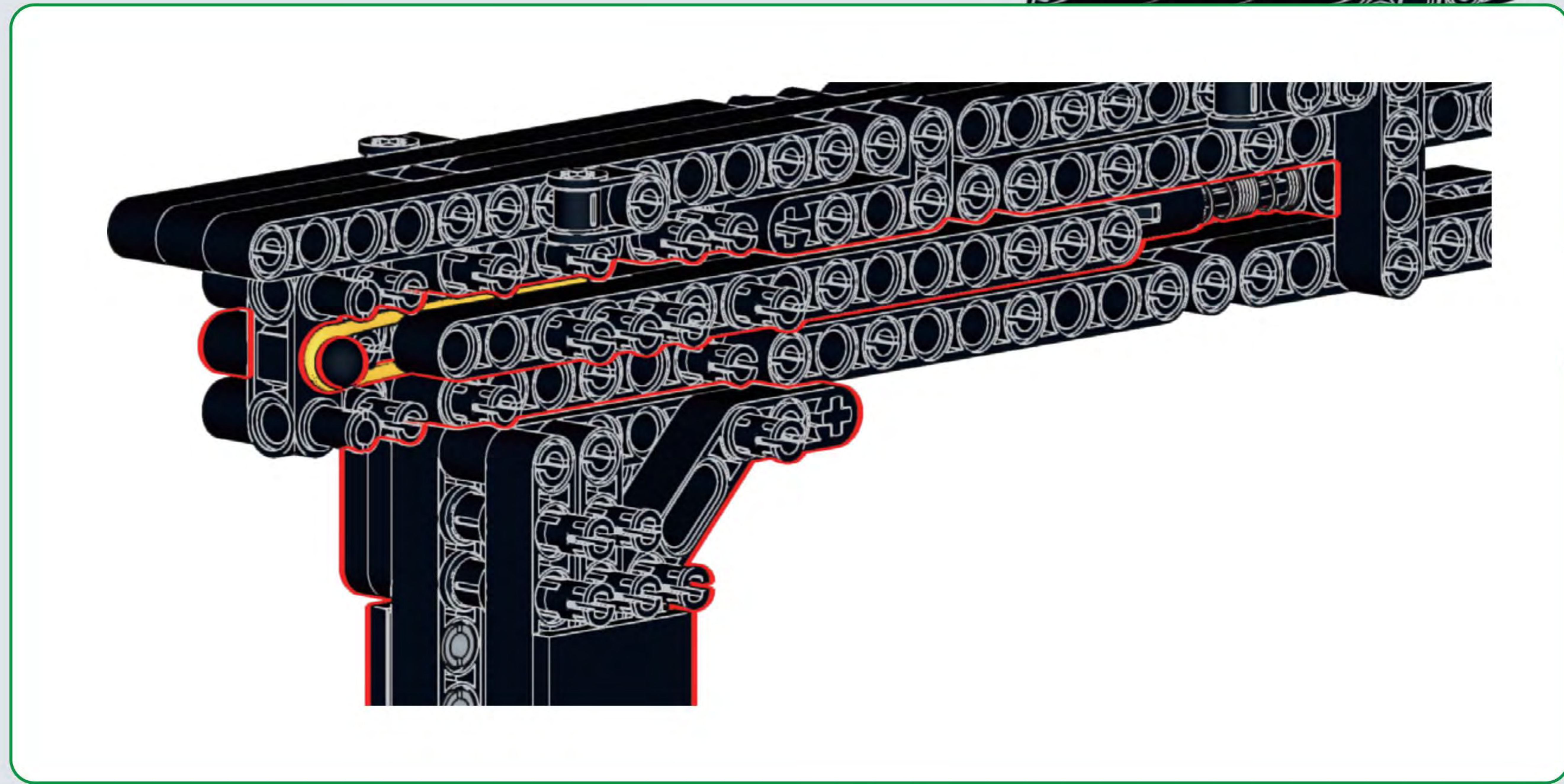


A122

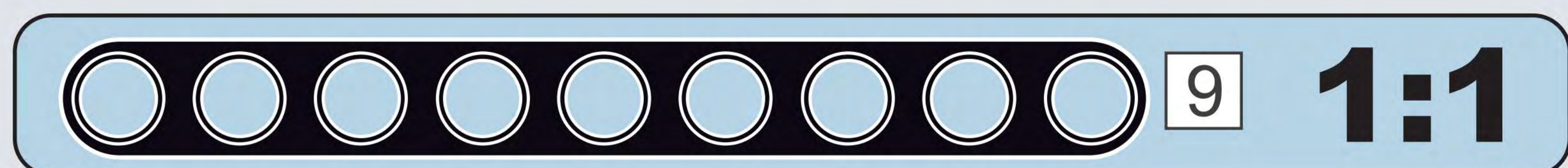
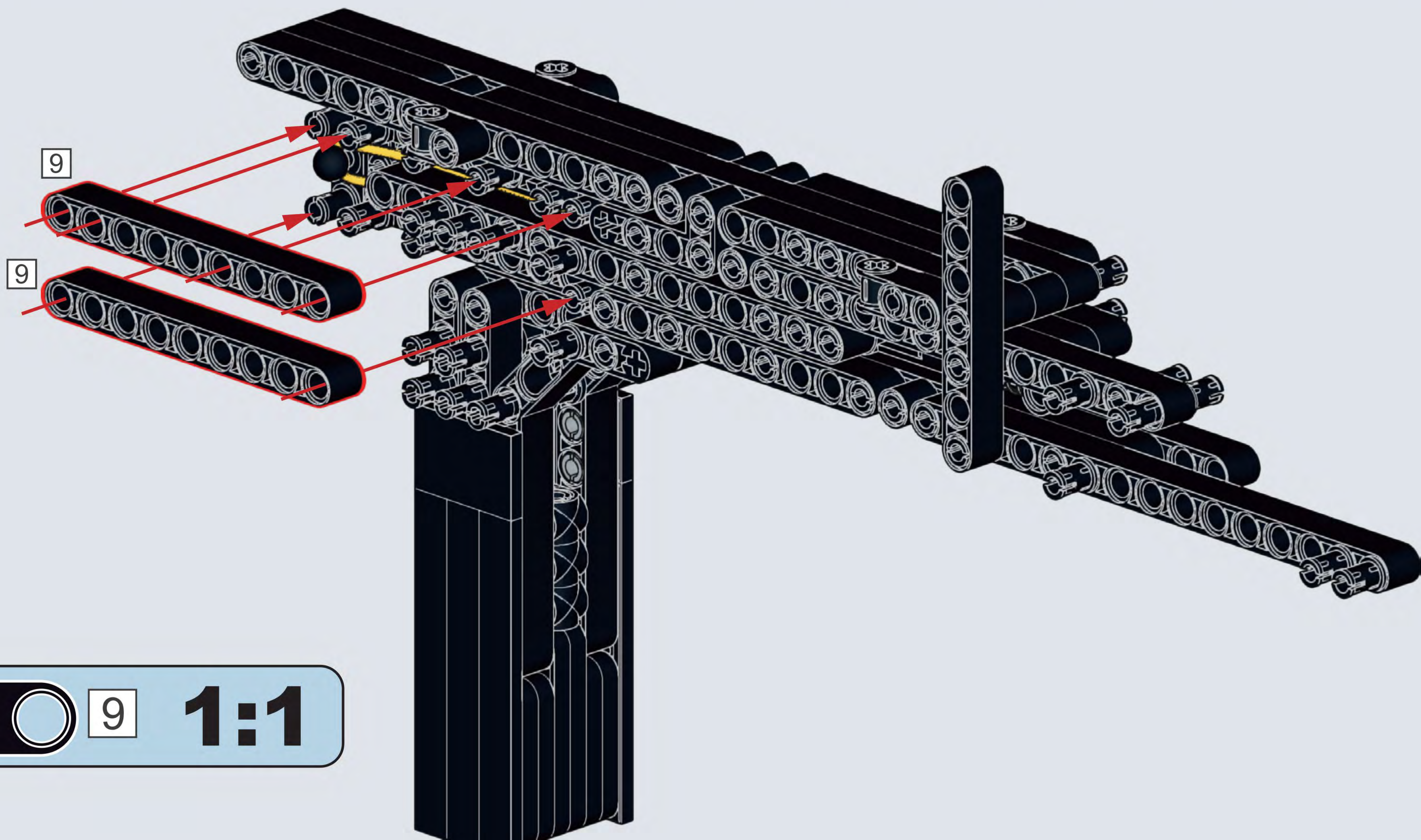
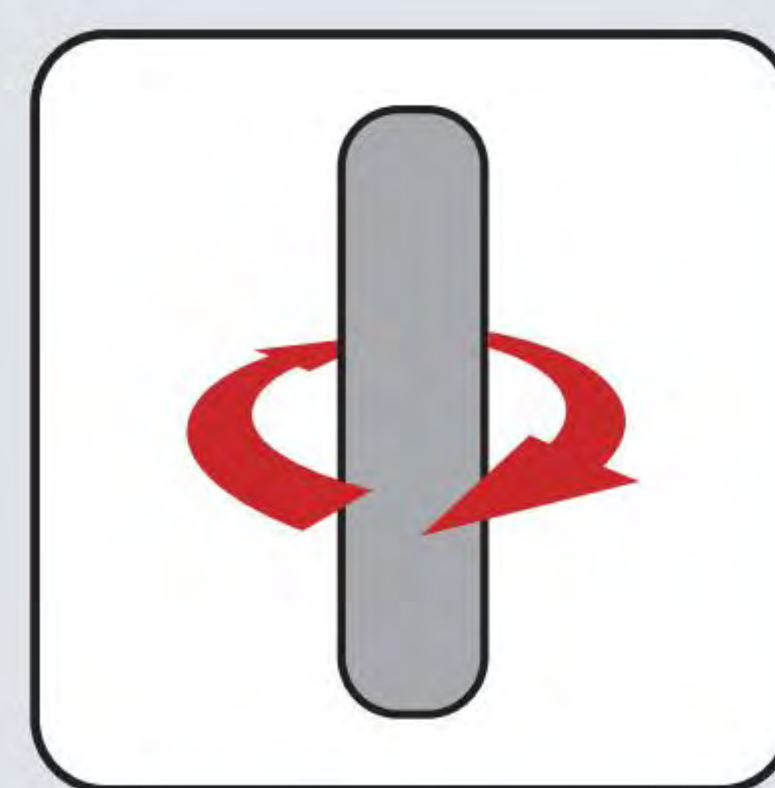


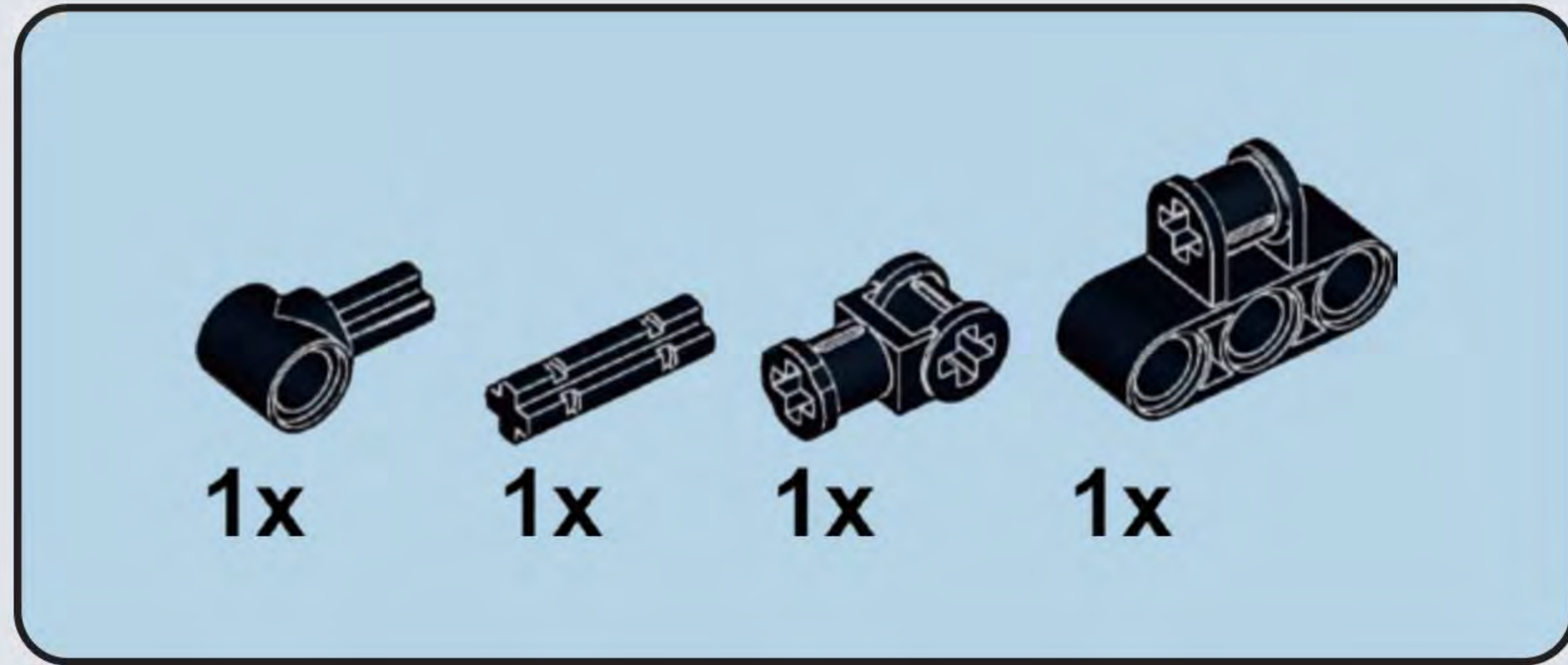
A123

A102

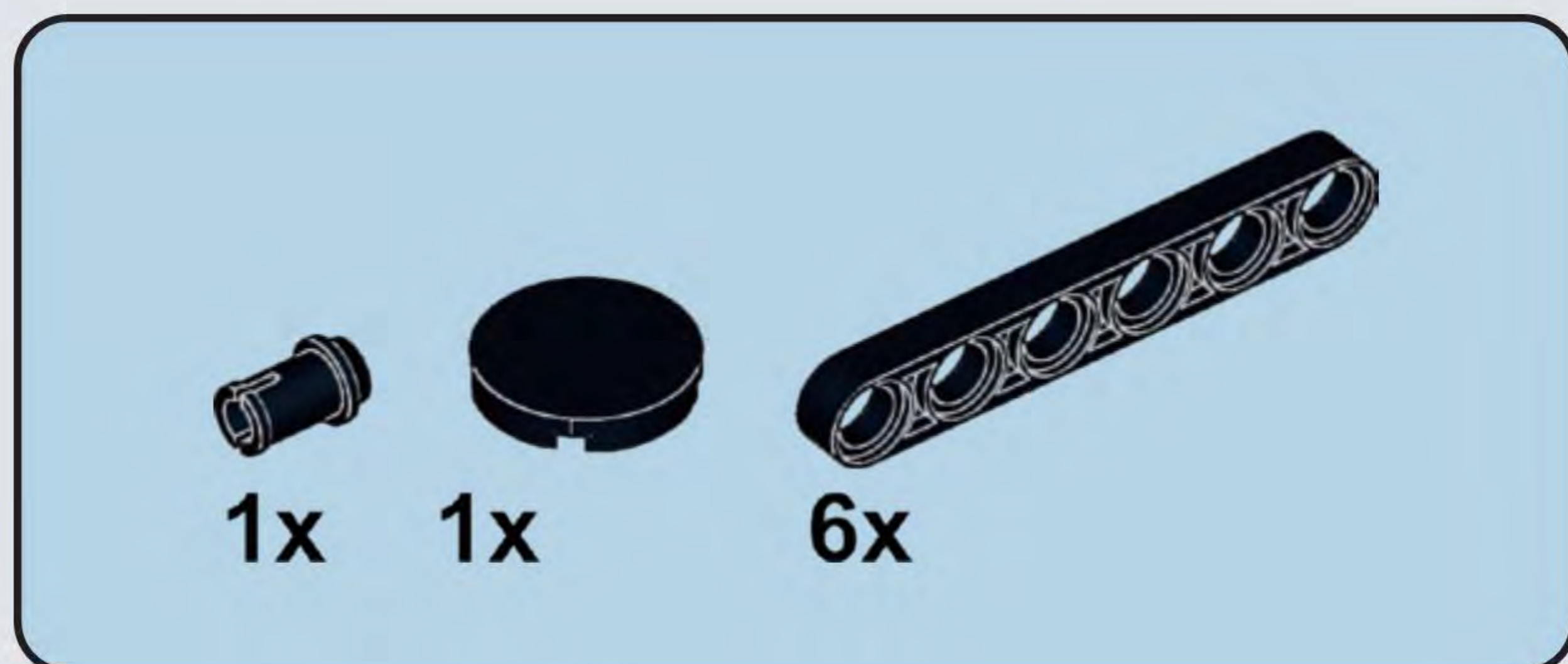
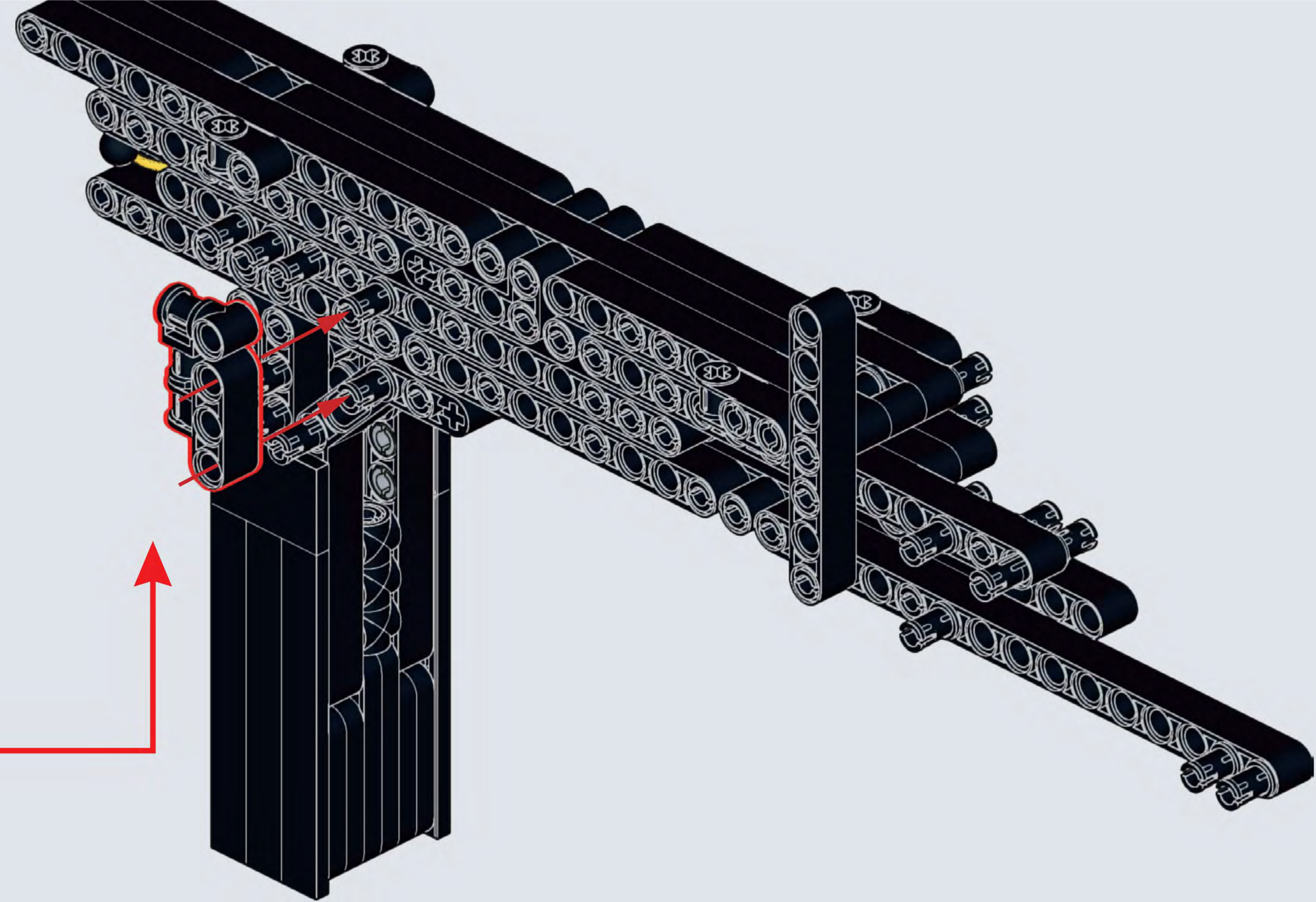
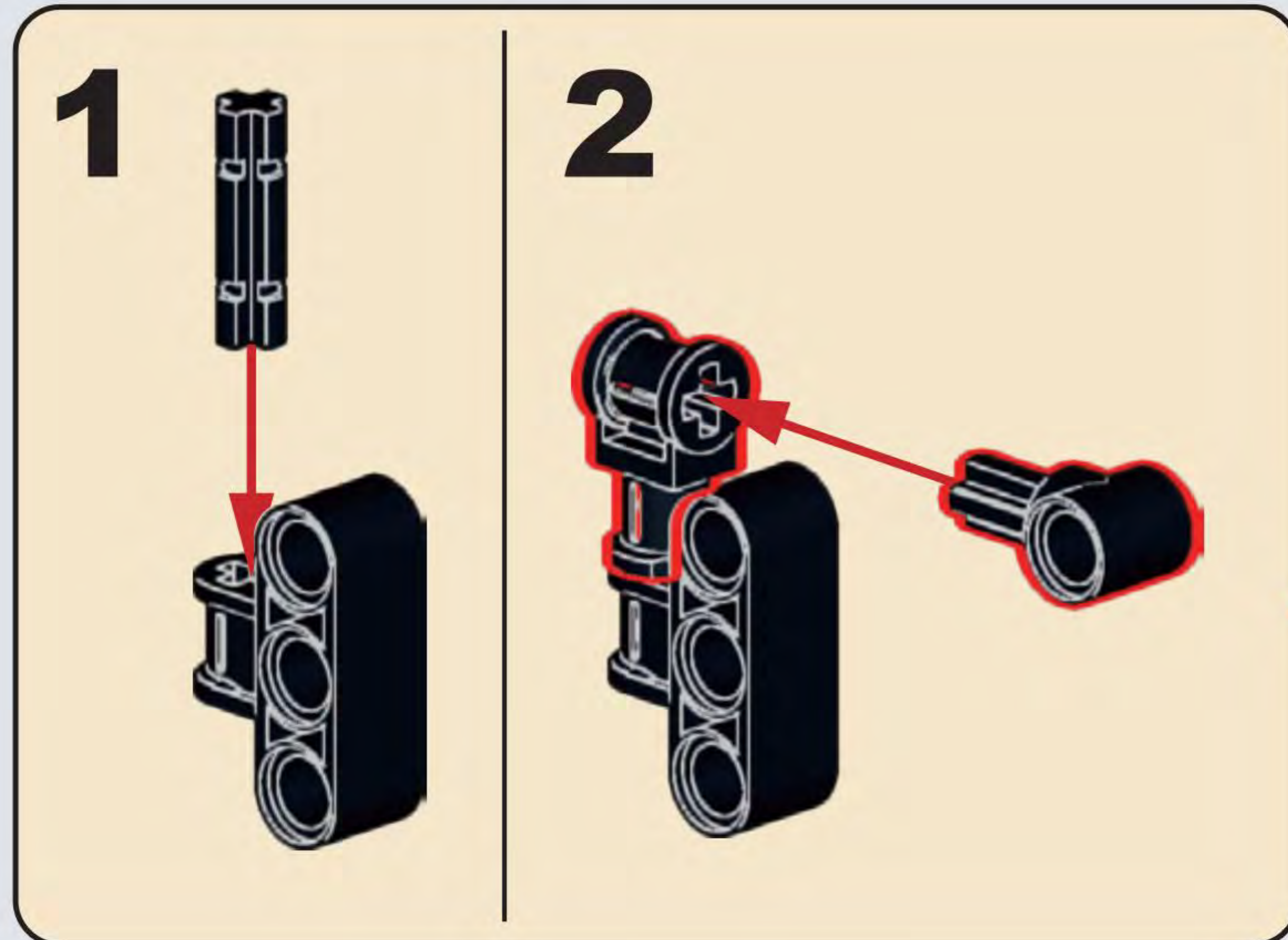


A124

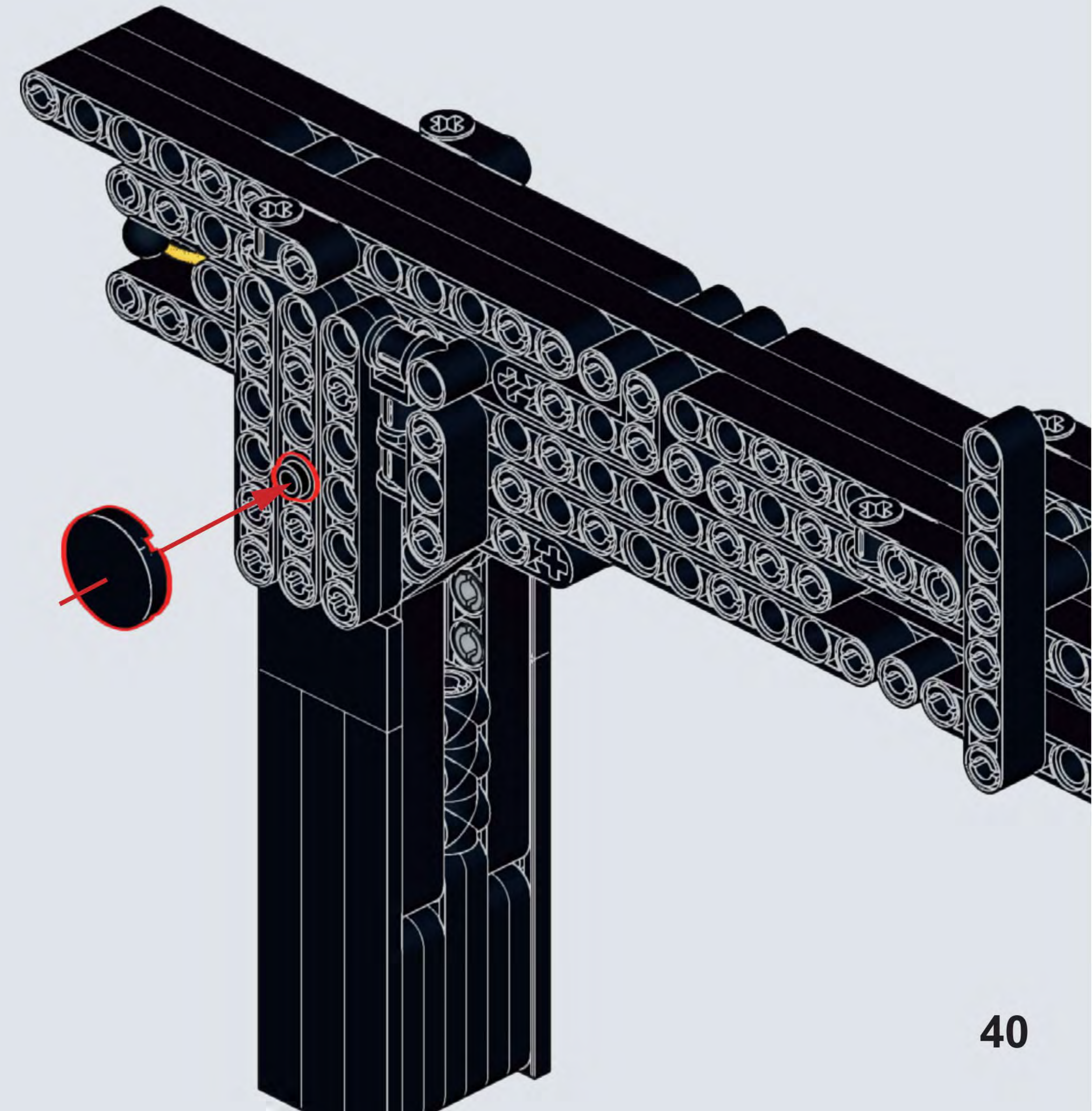
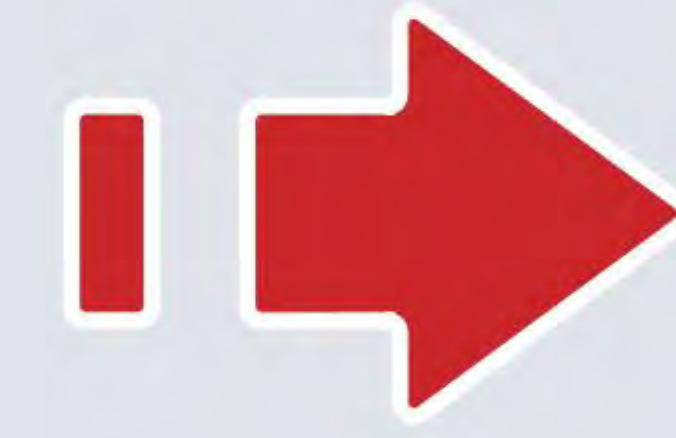
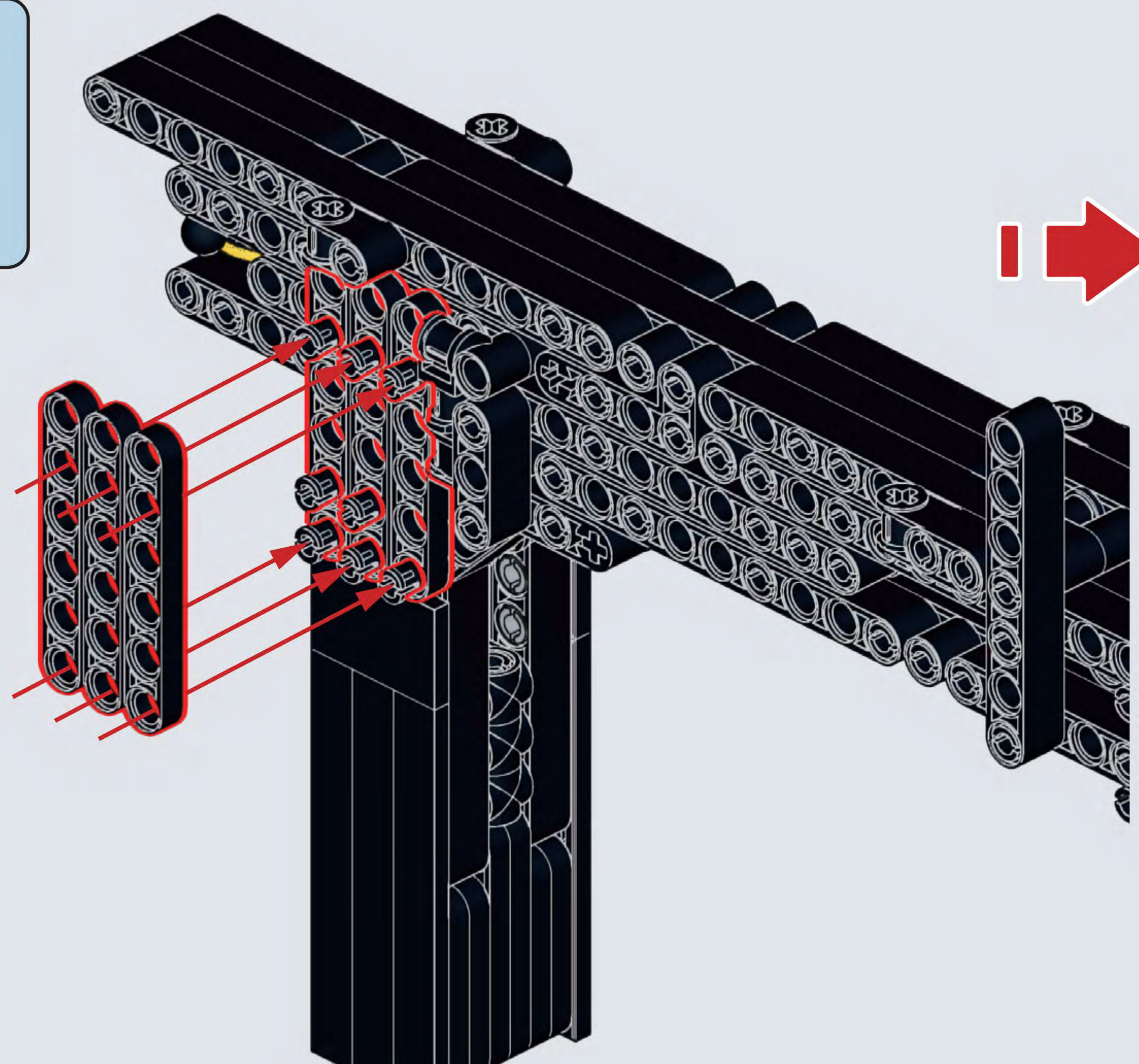


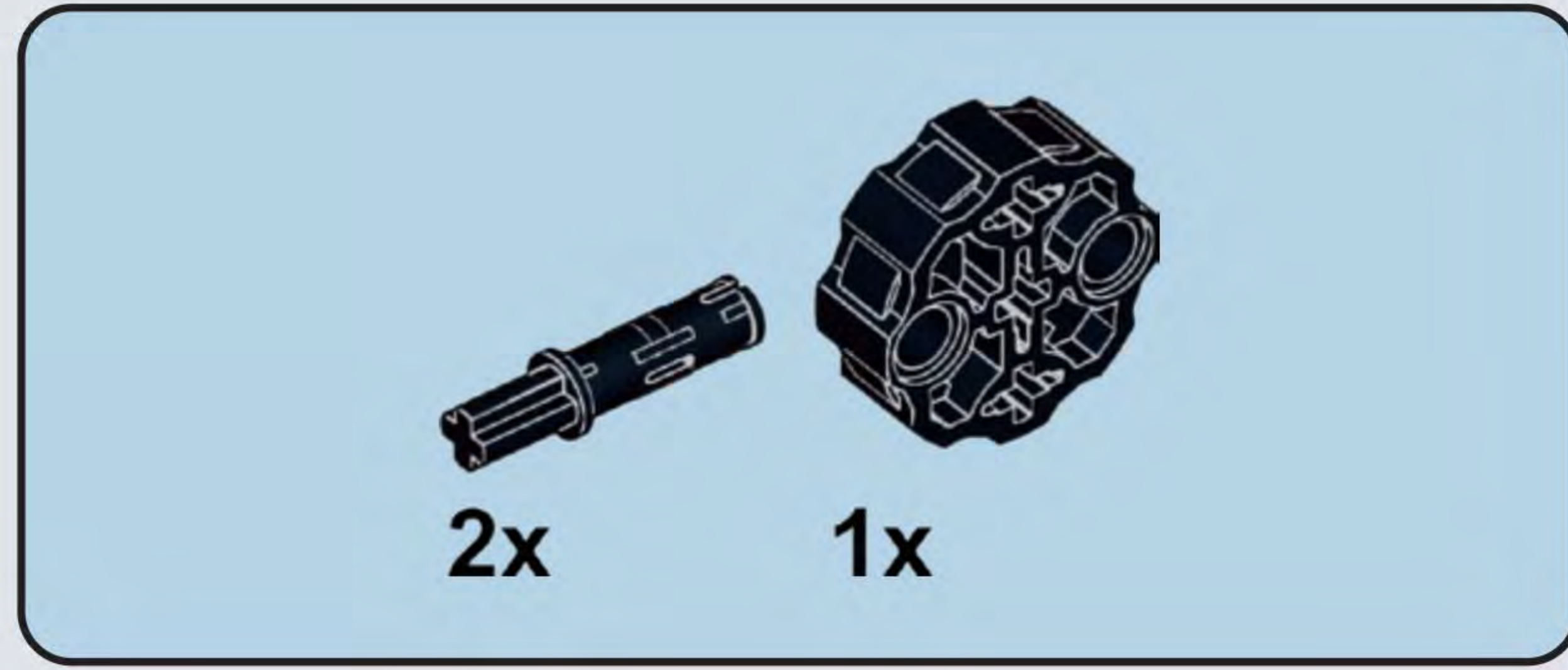


A125

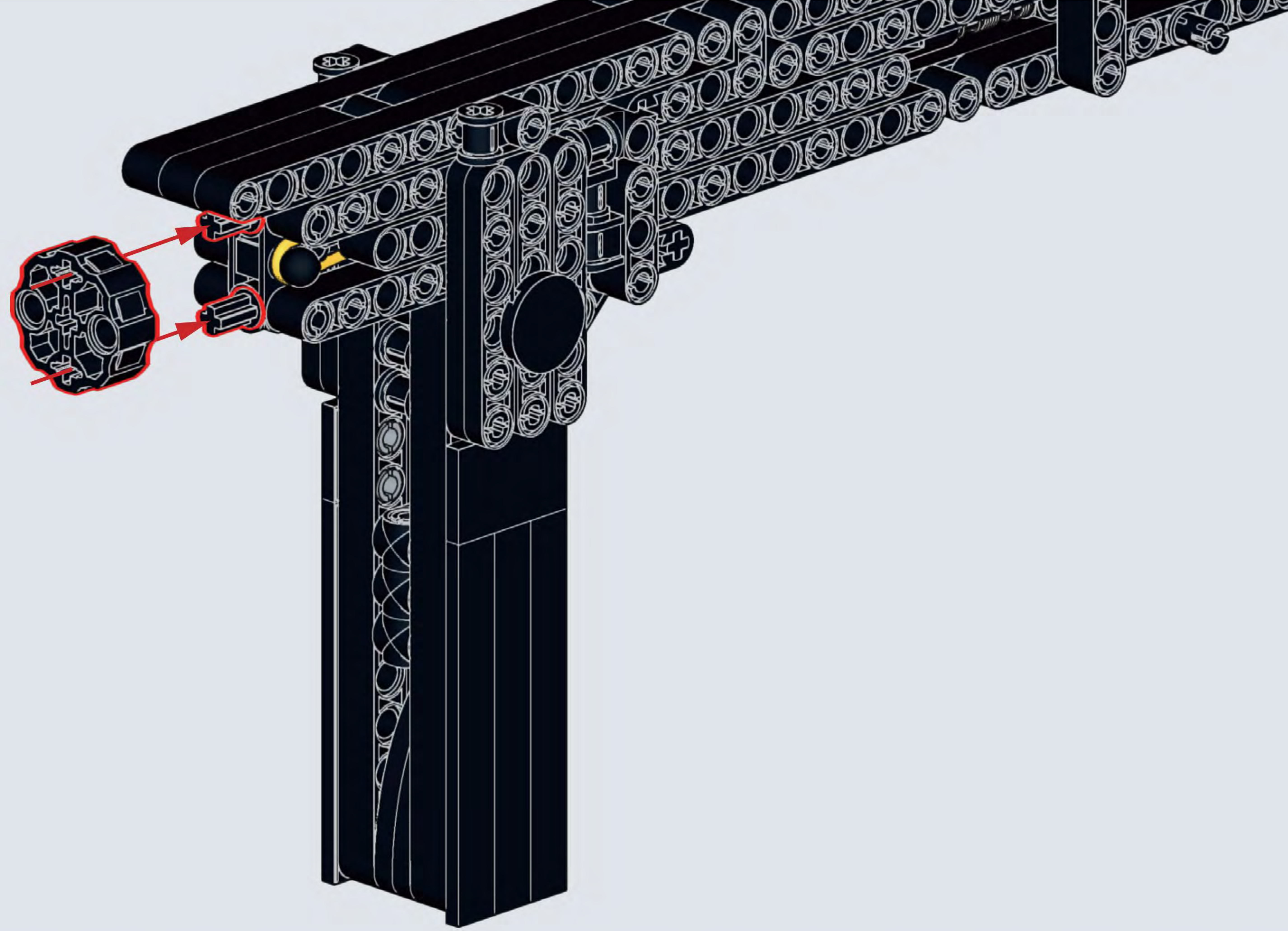
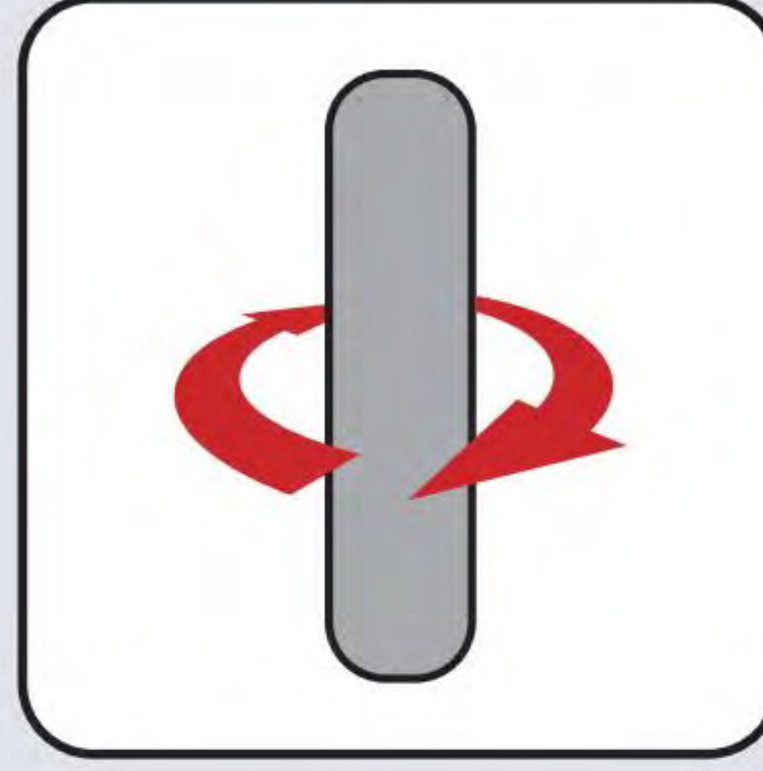


A126

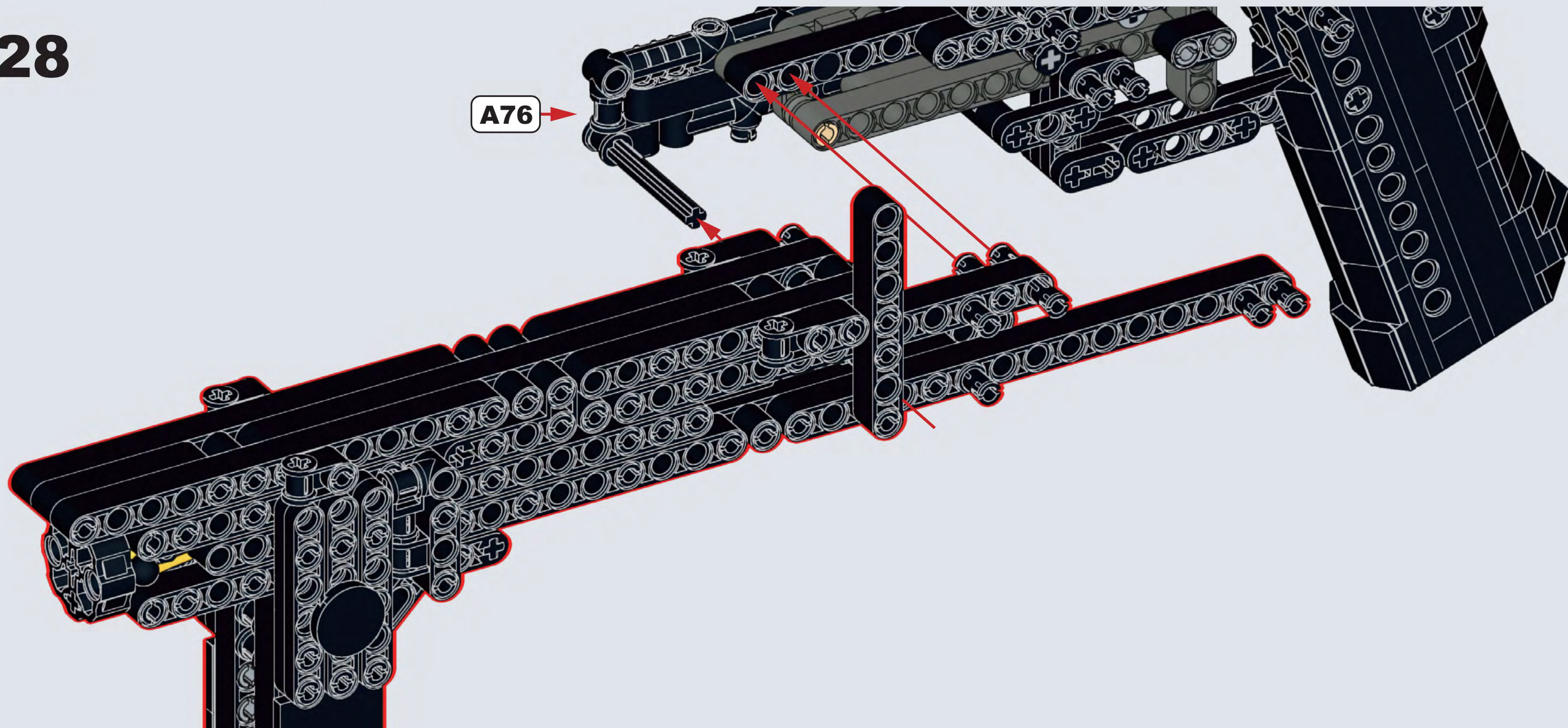


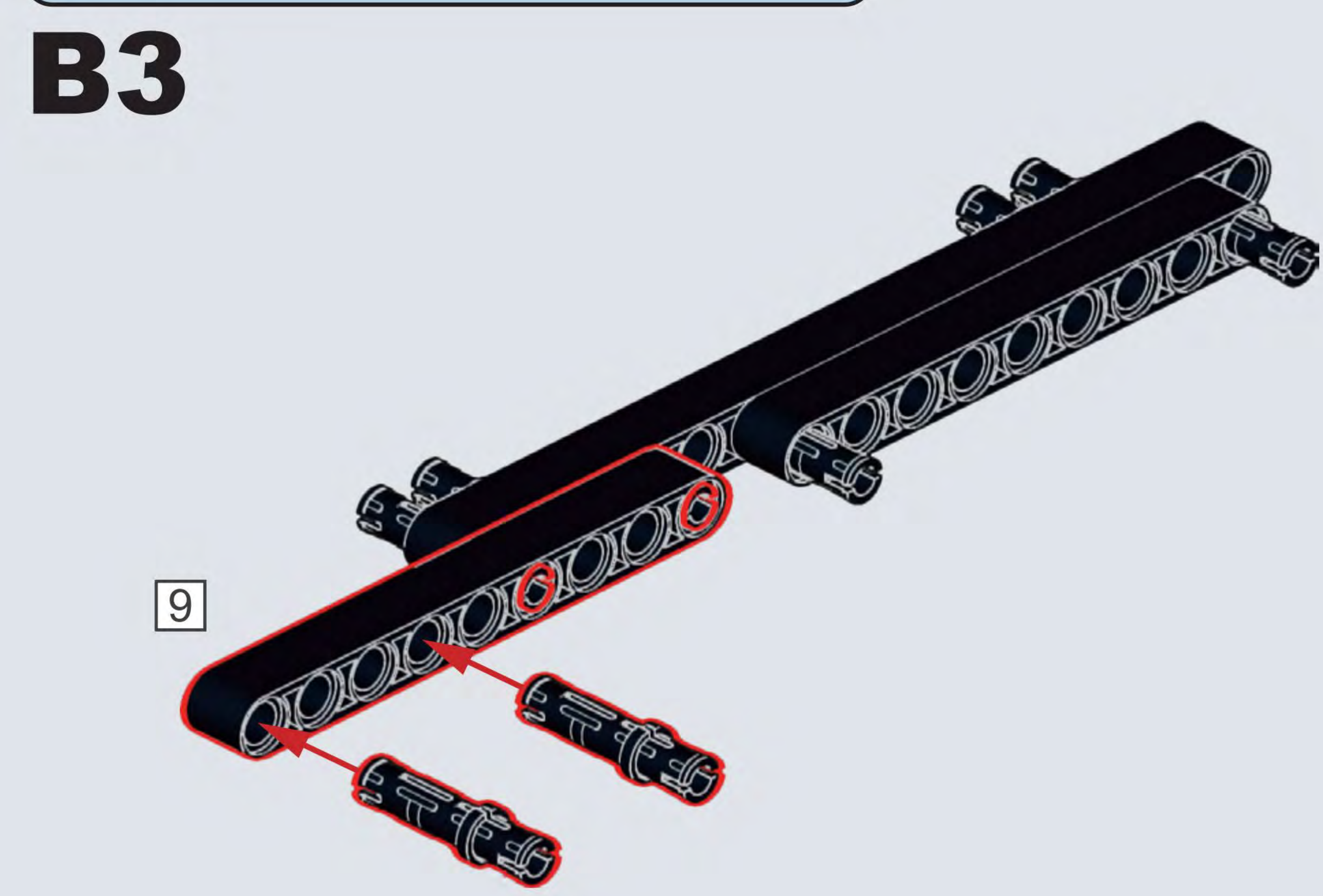
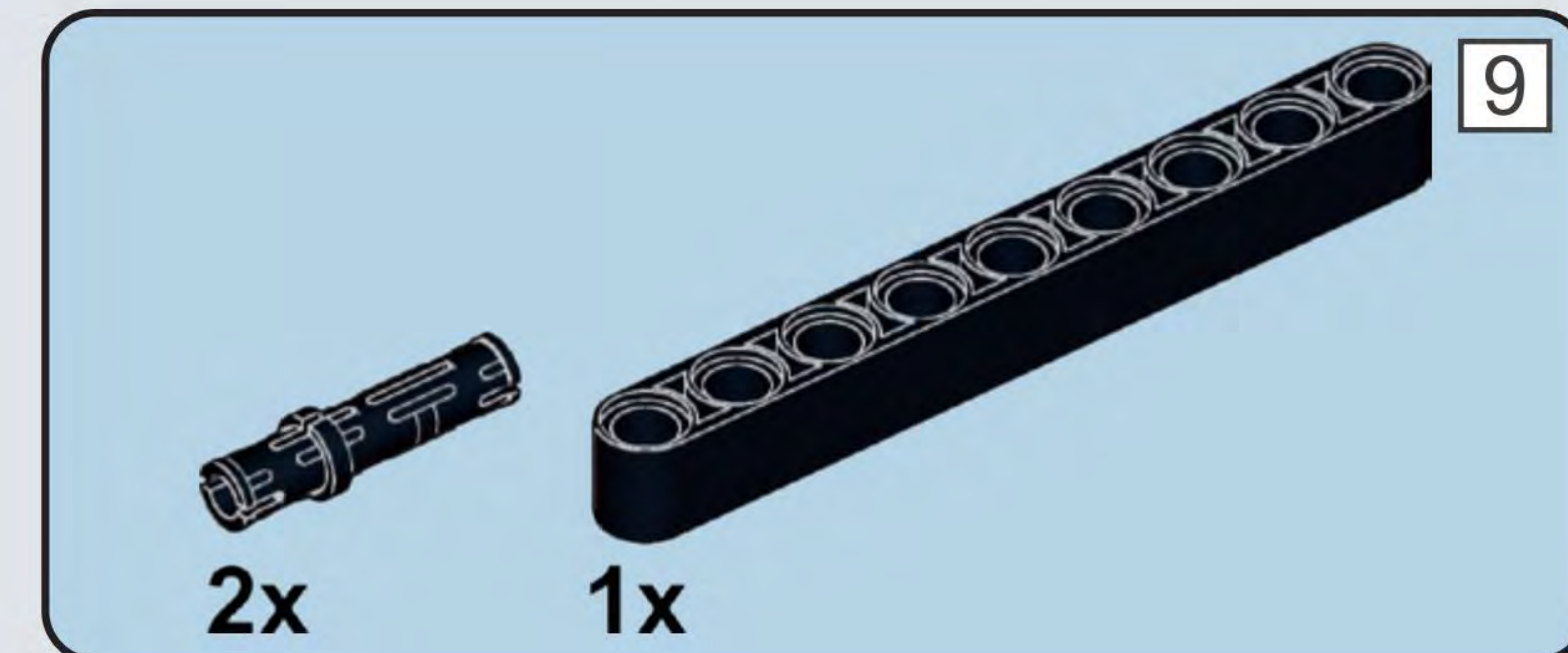
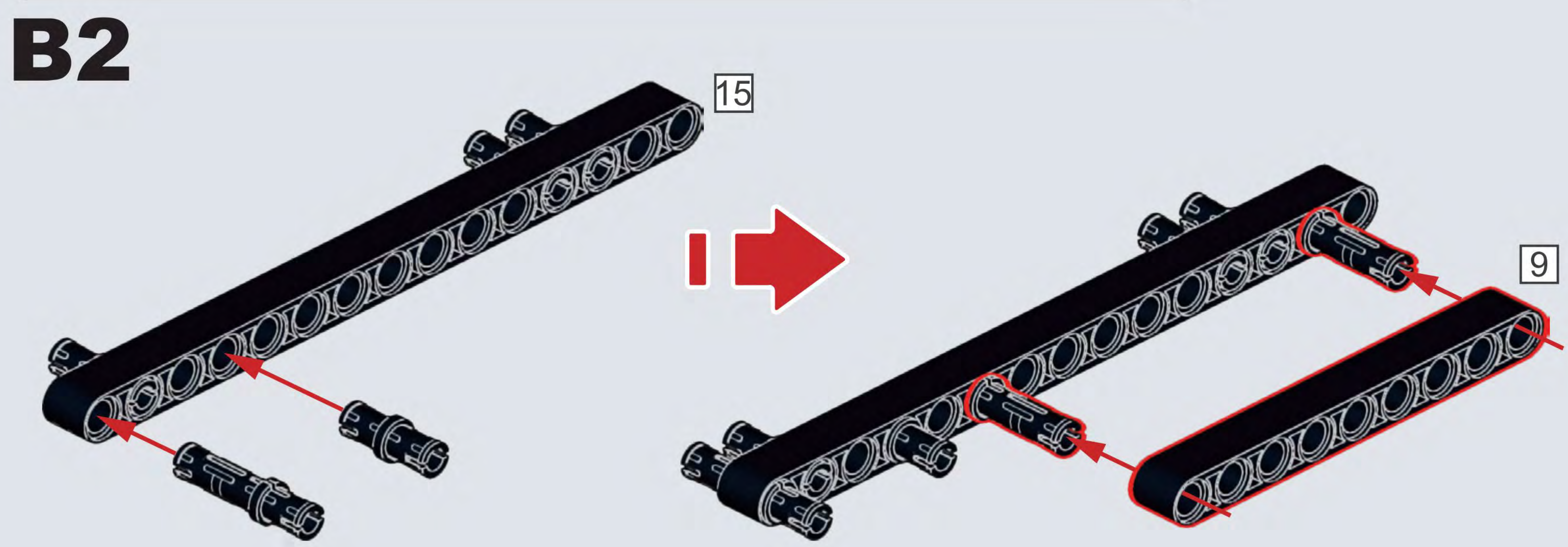
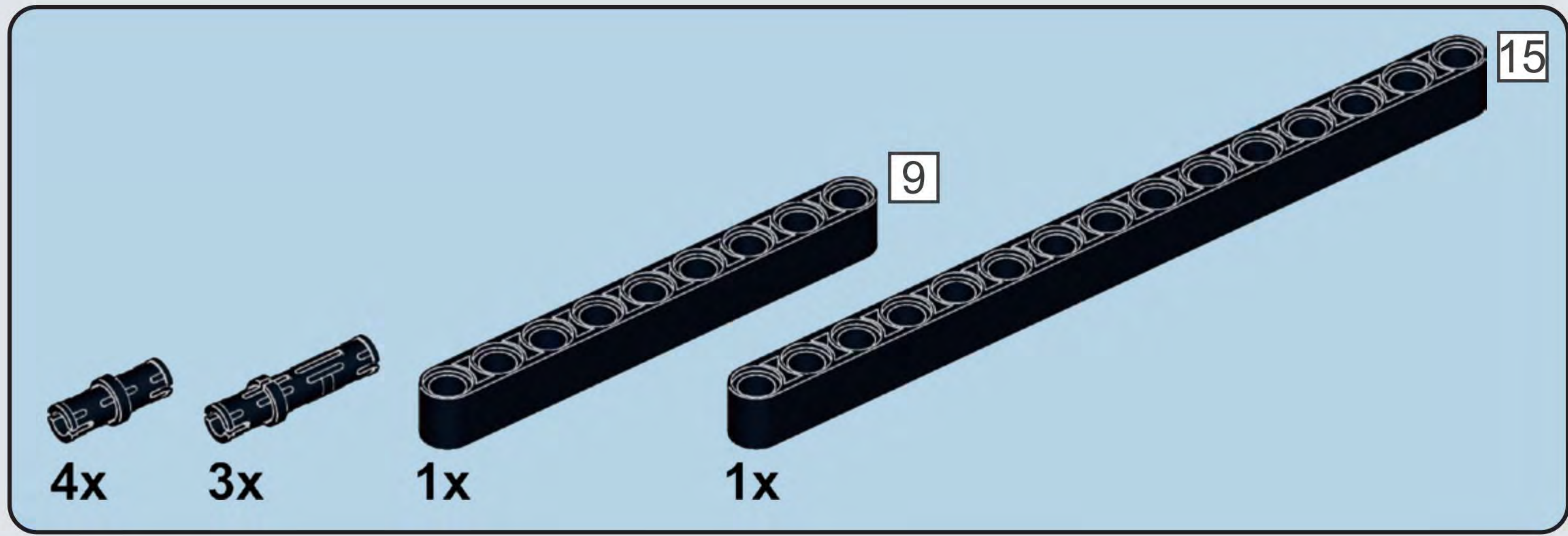
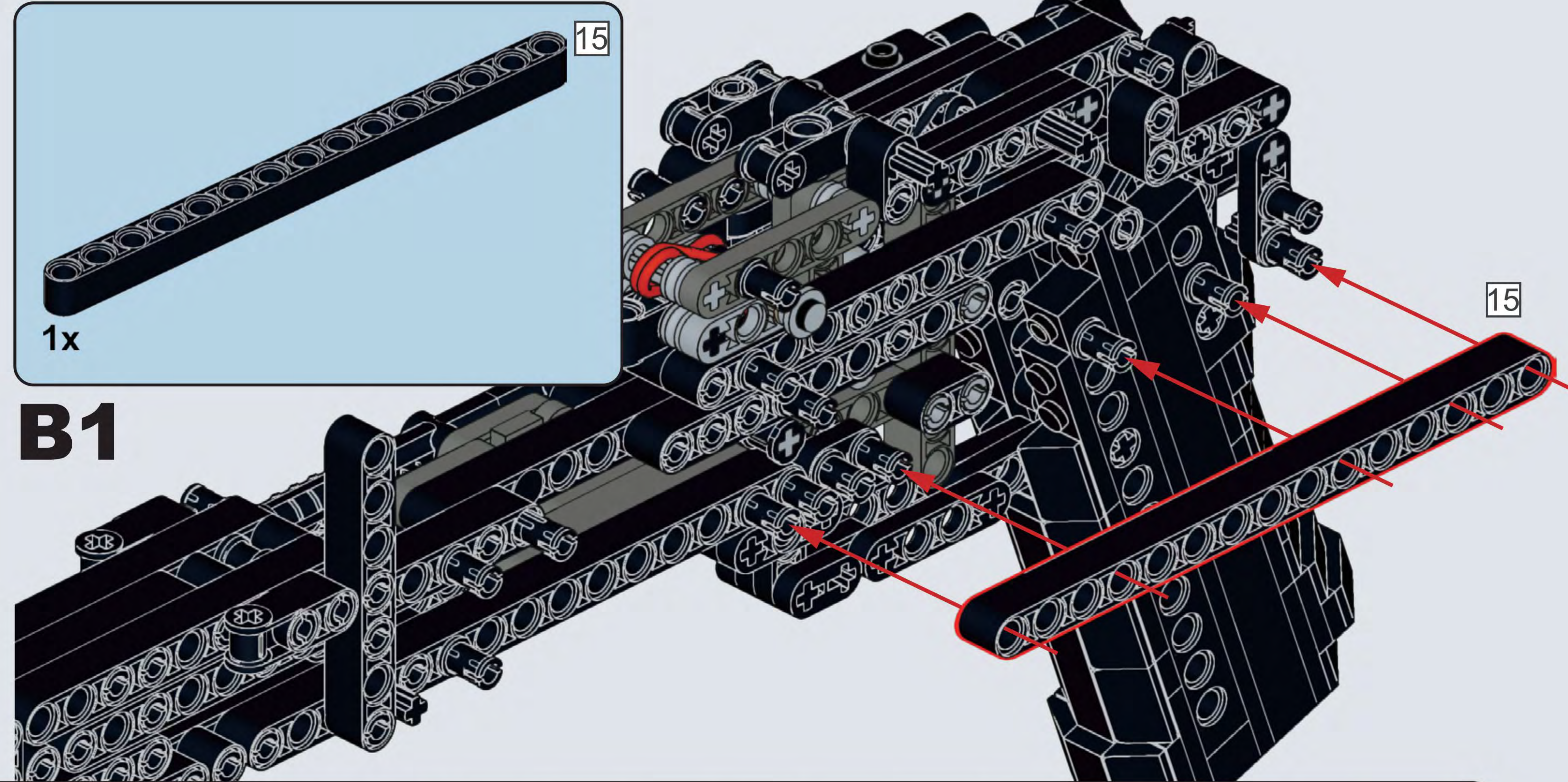


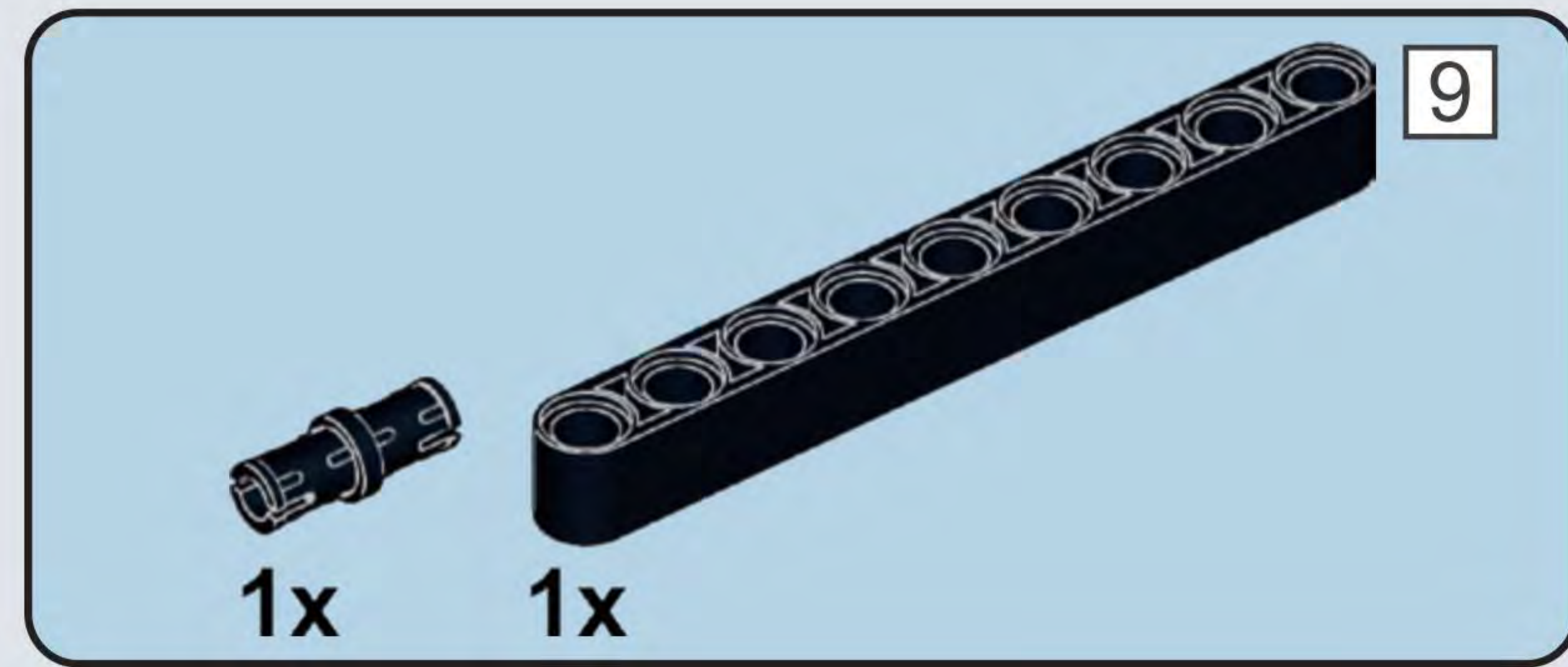
A127



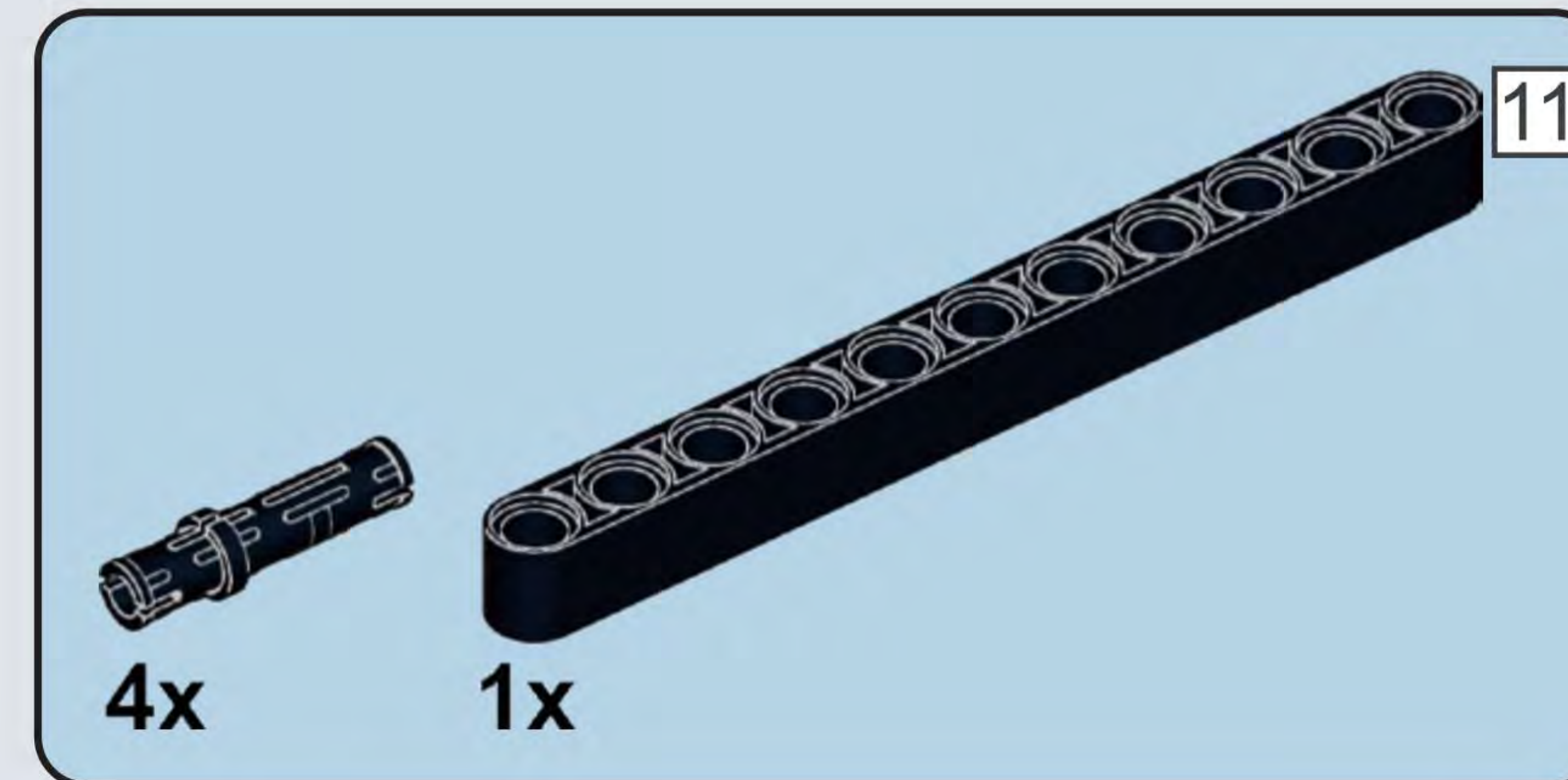
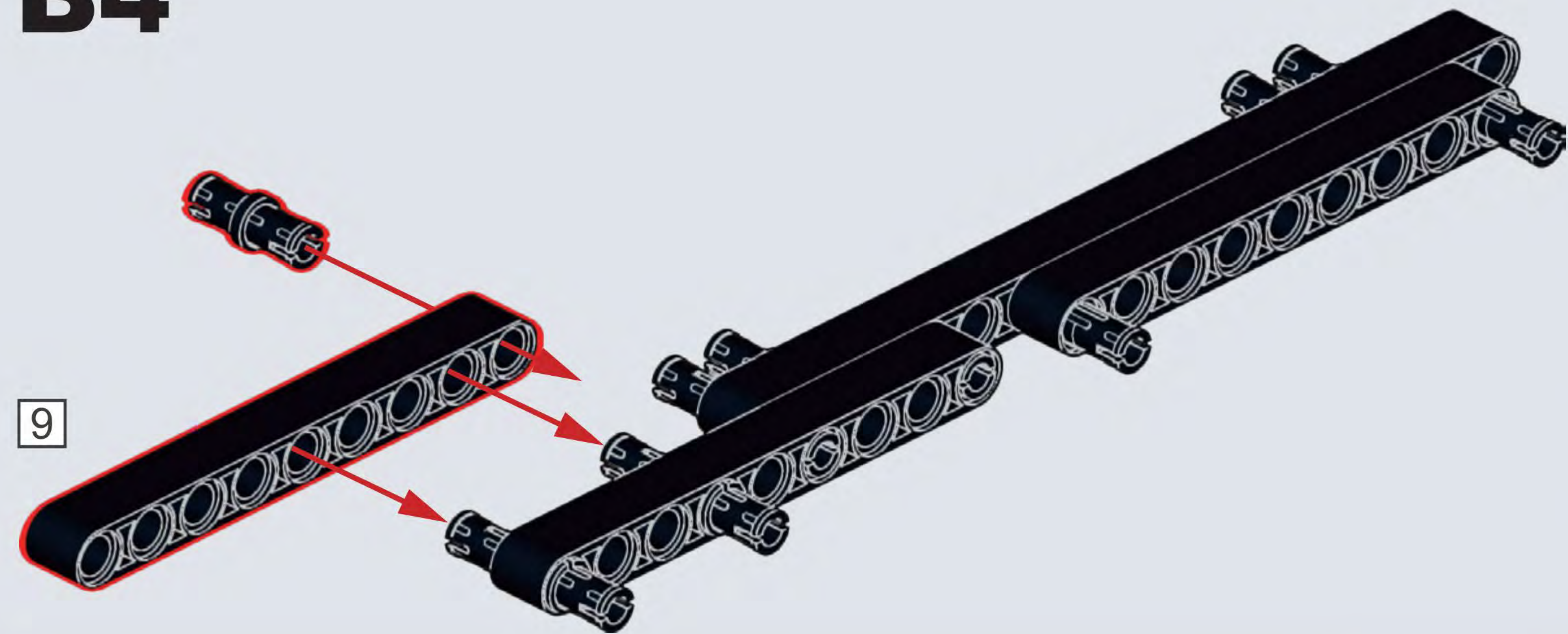
A128



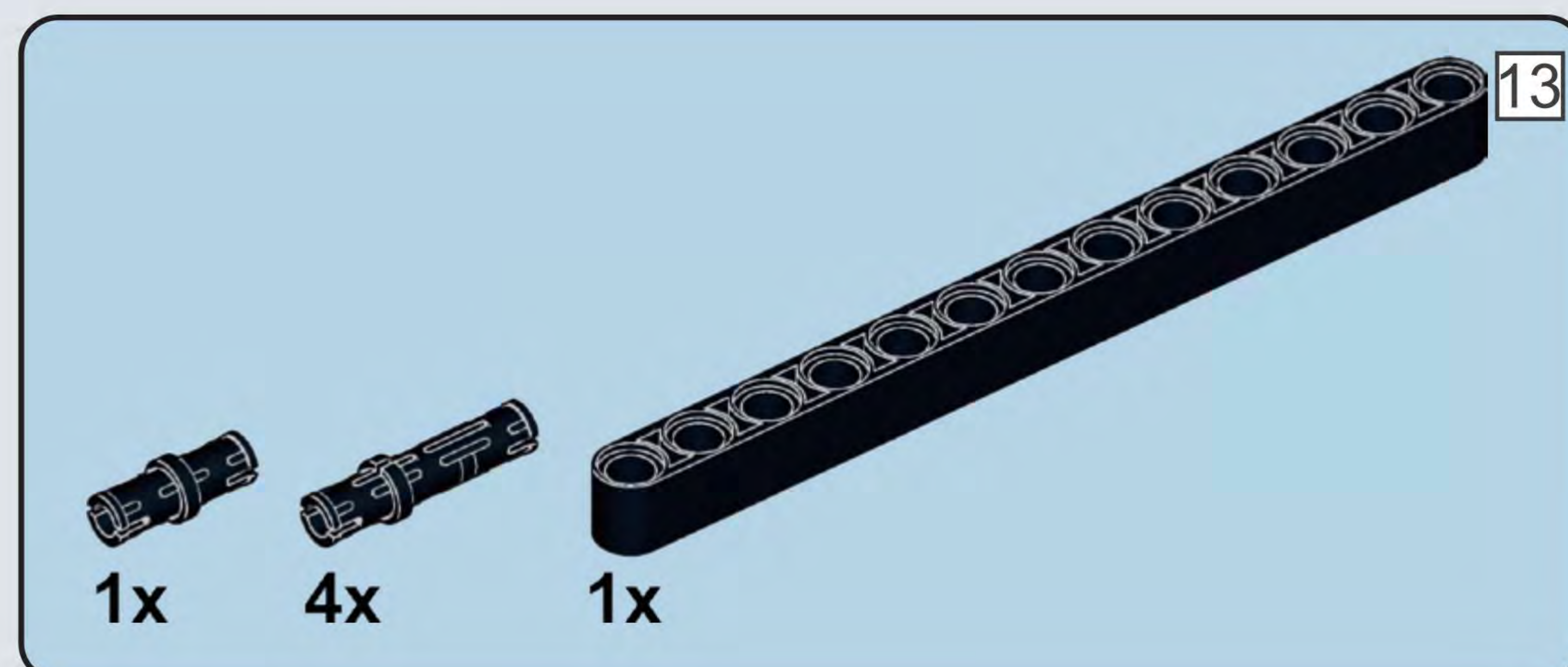
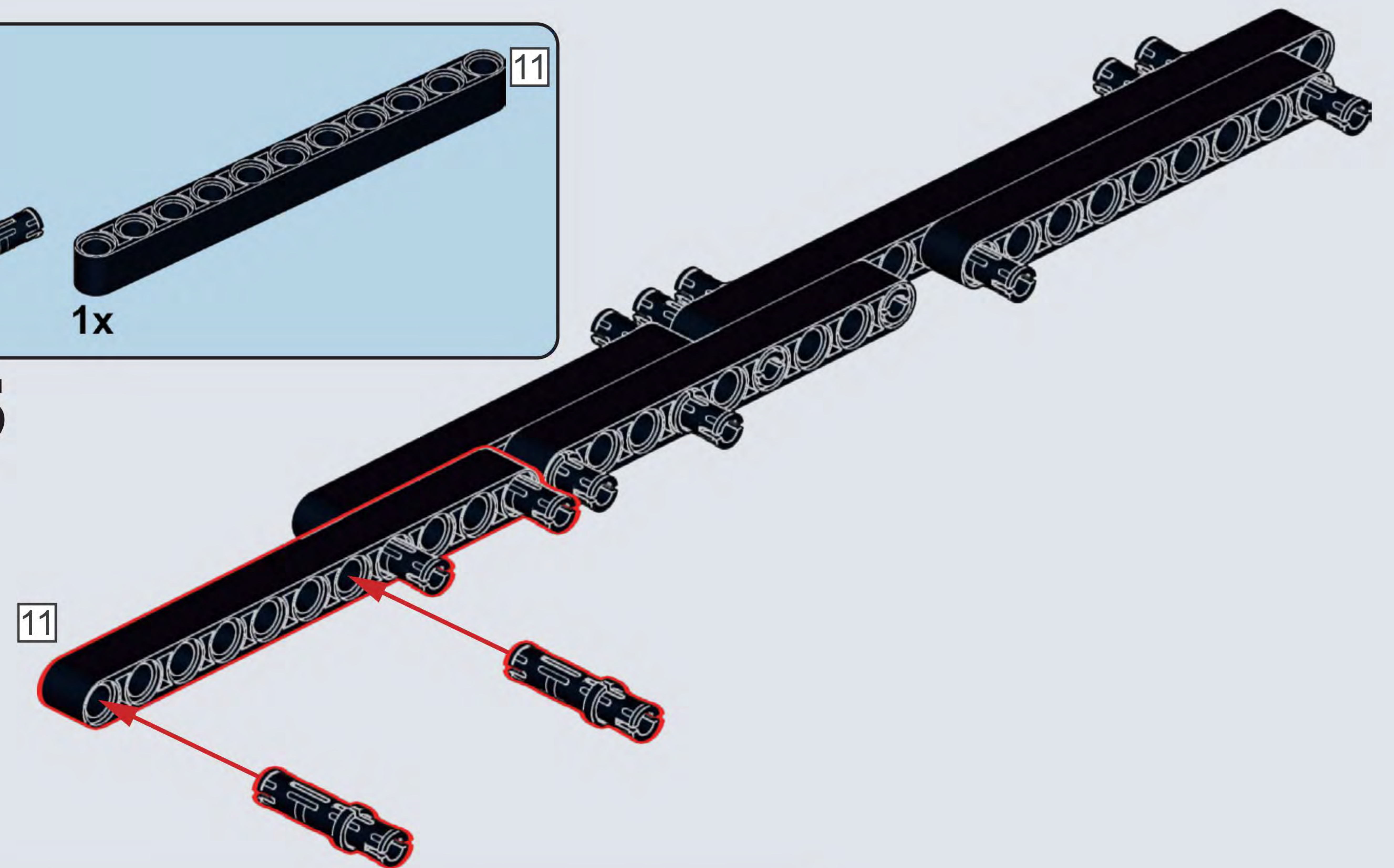




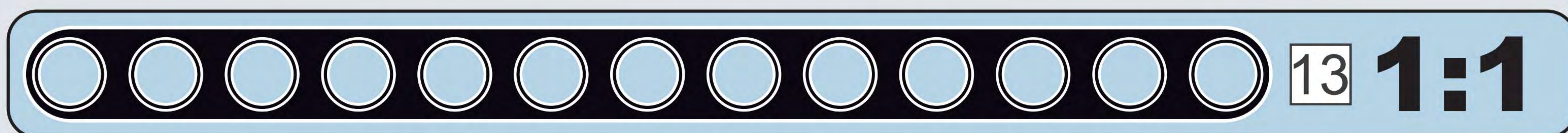
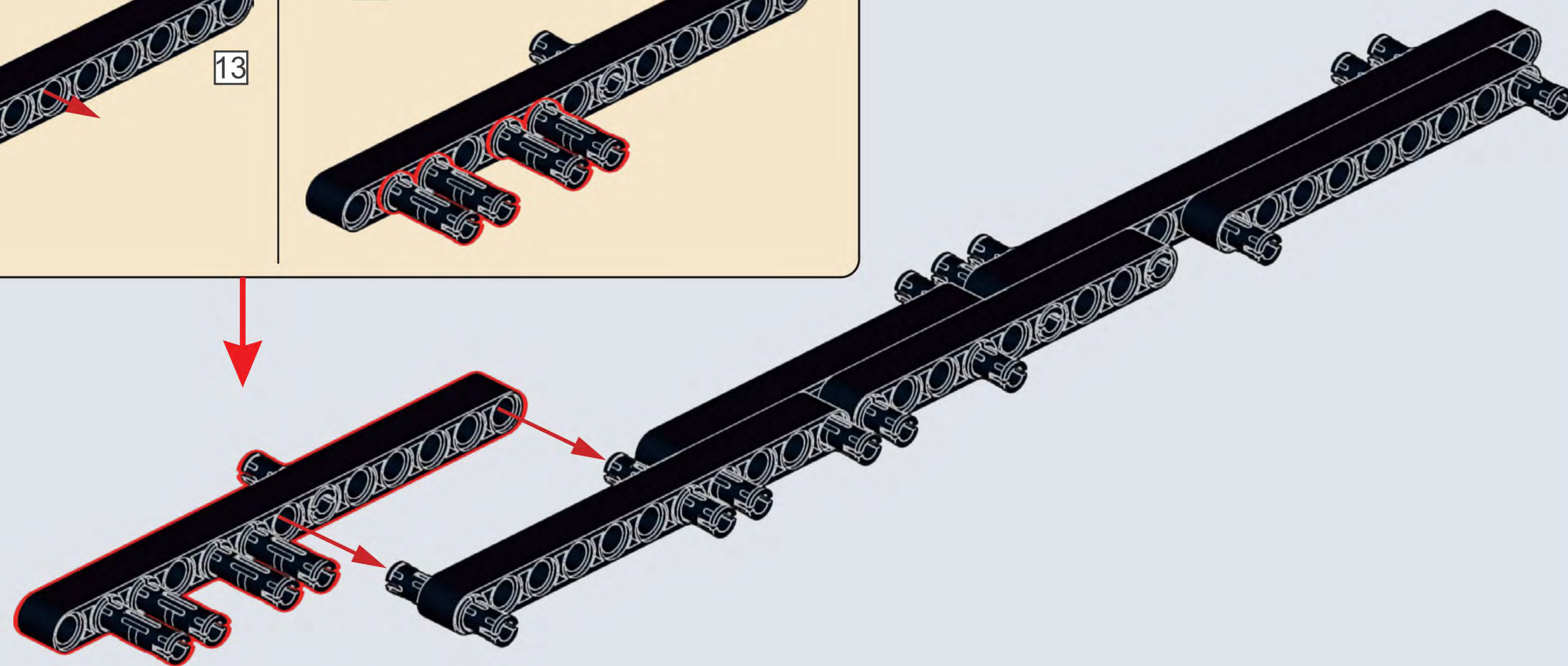
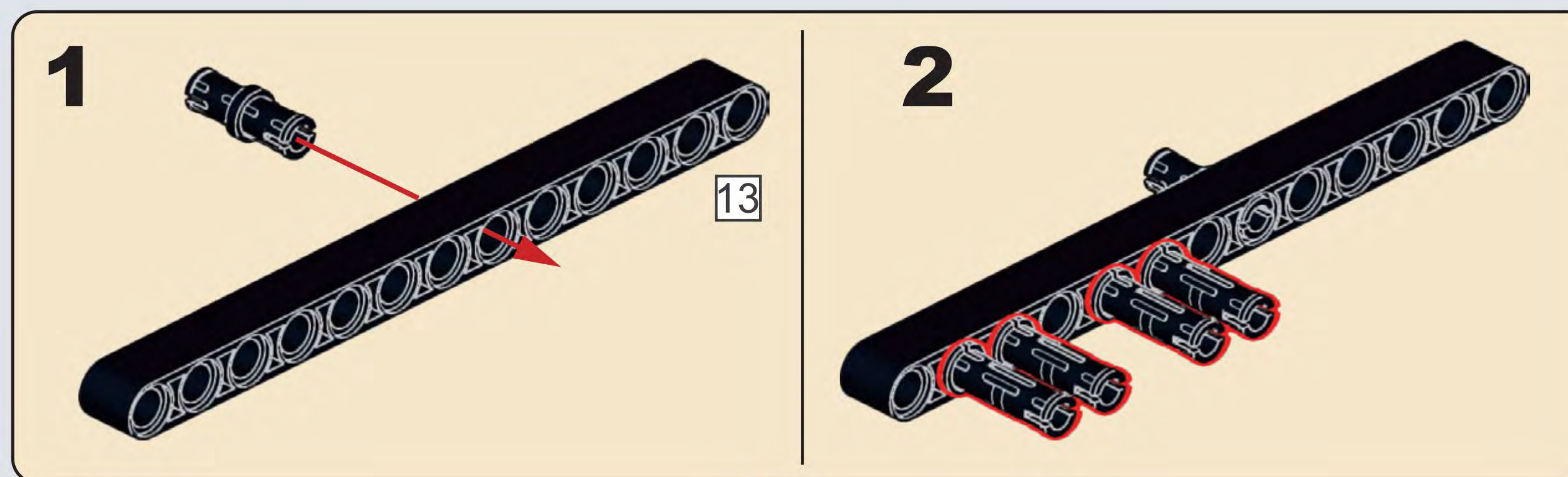
B4

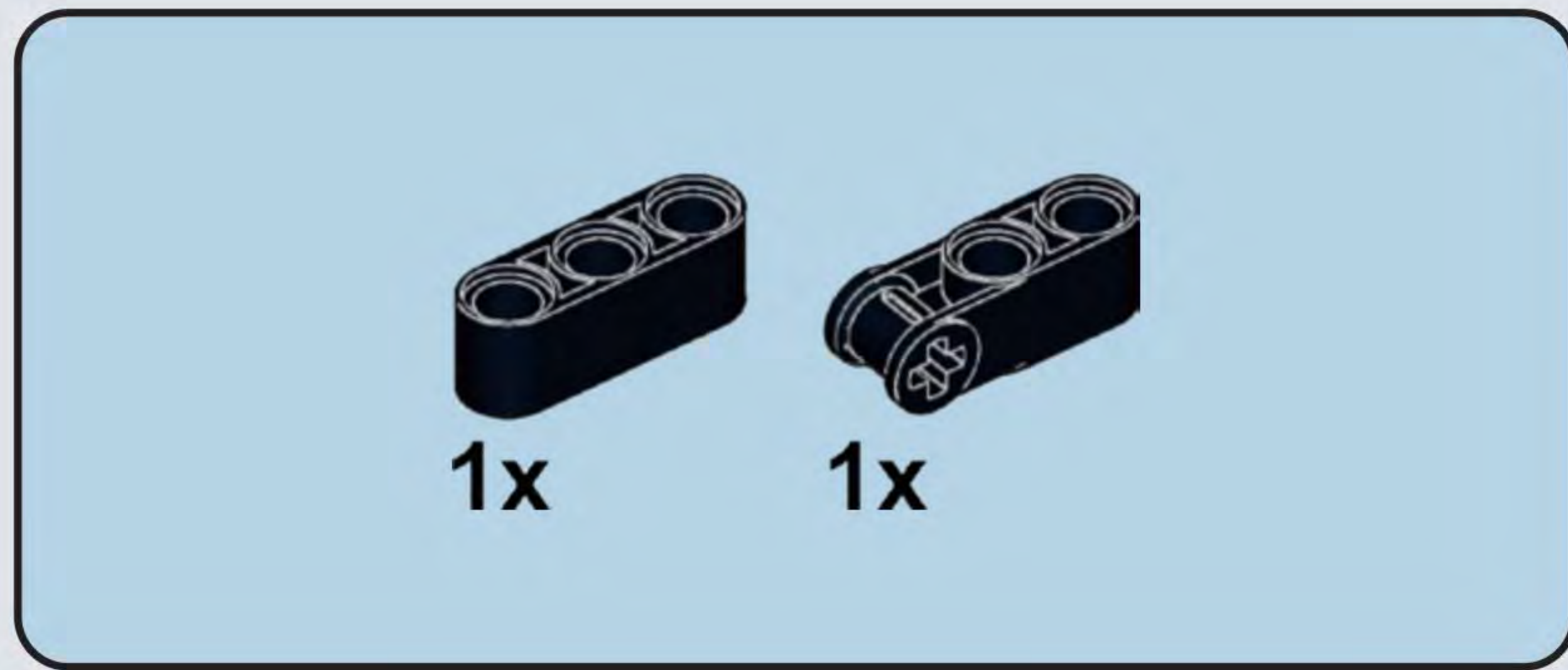


B5

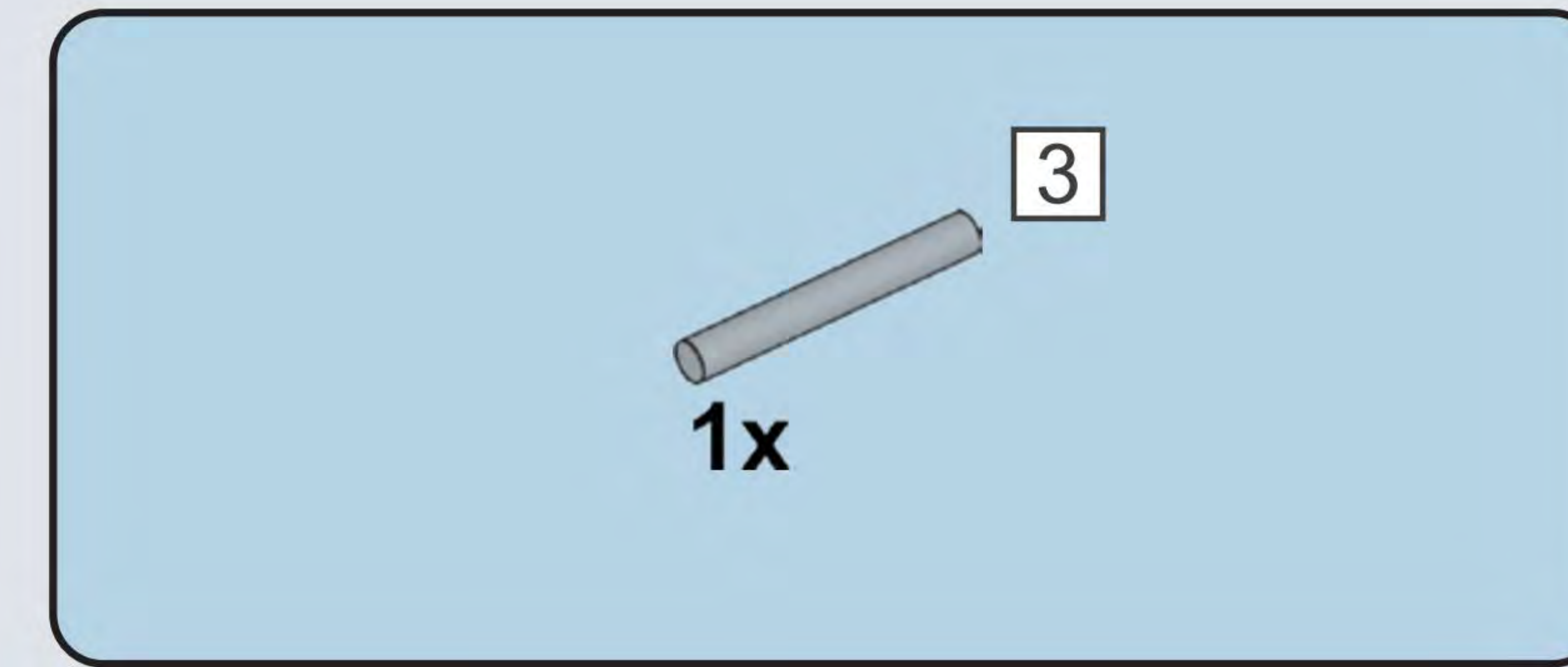
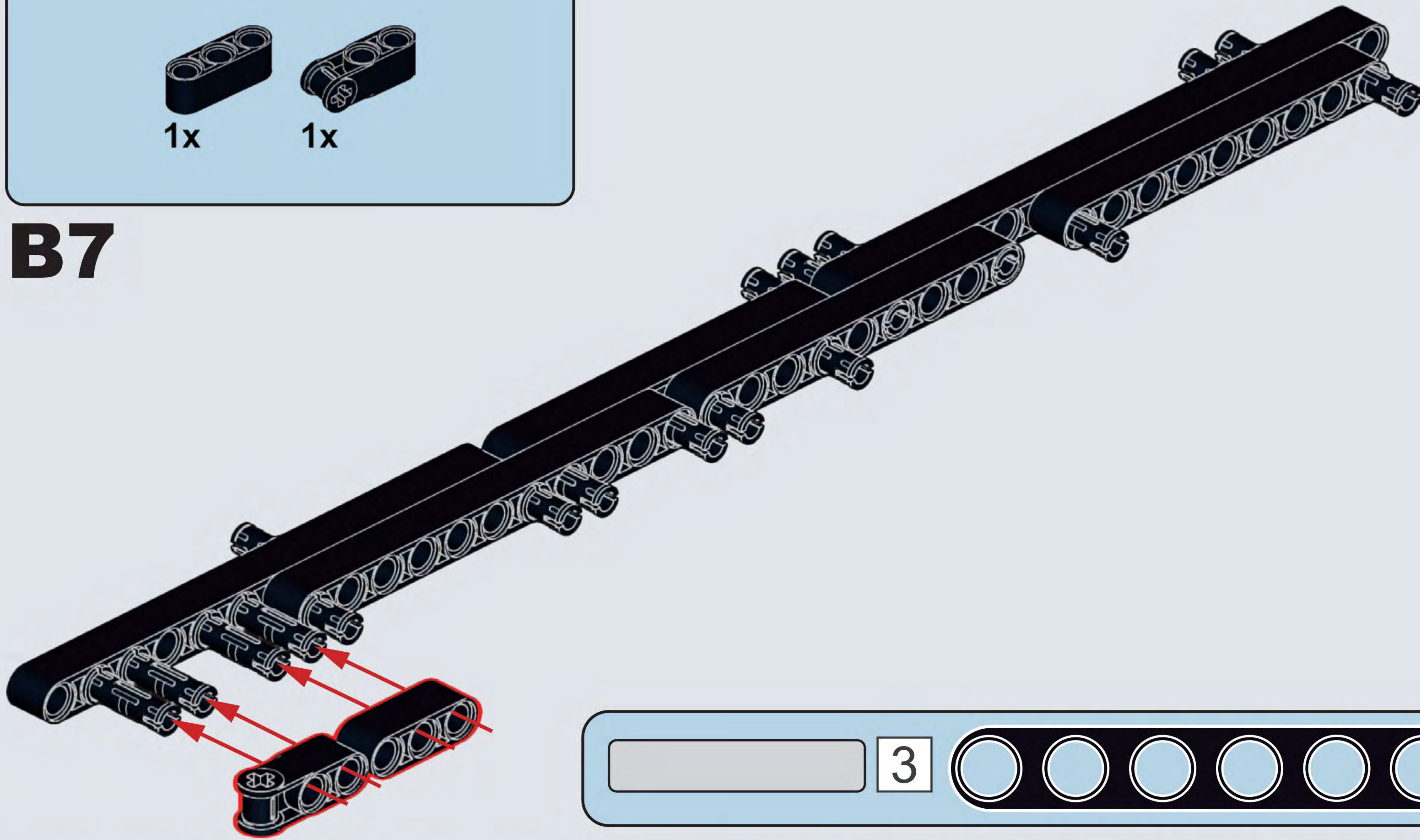


B6

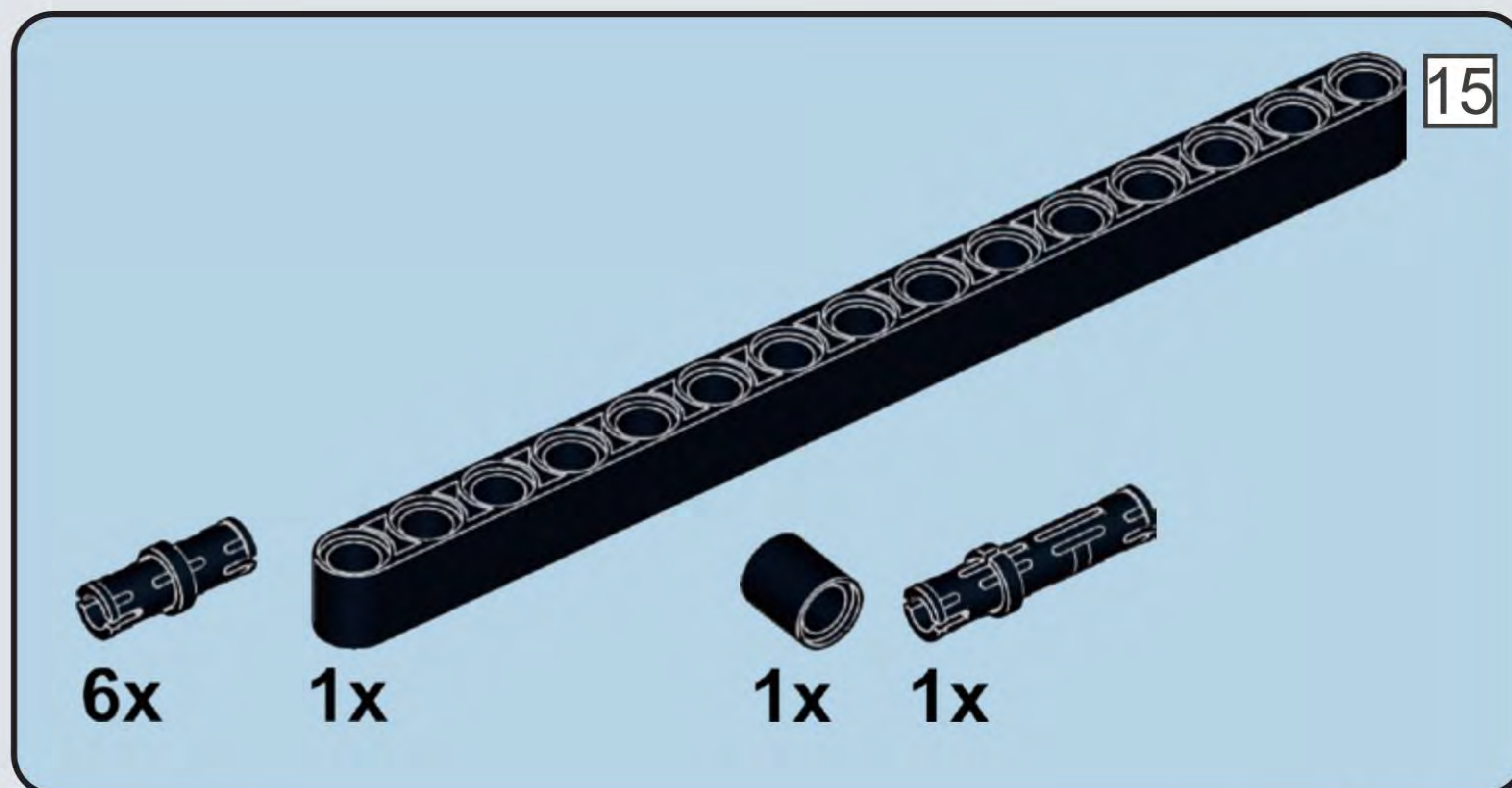
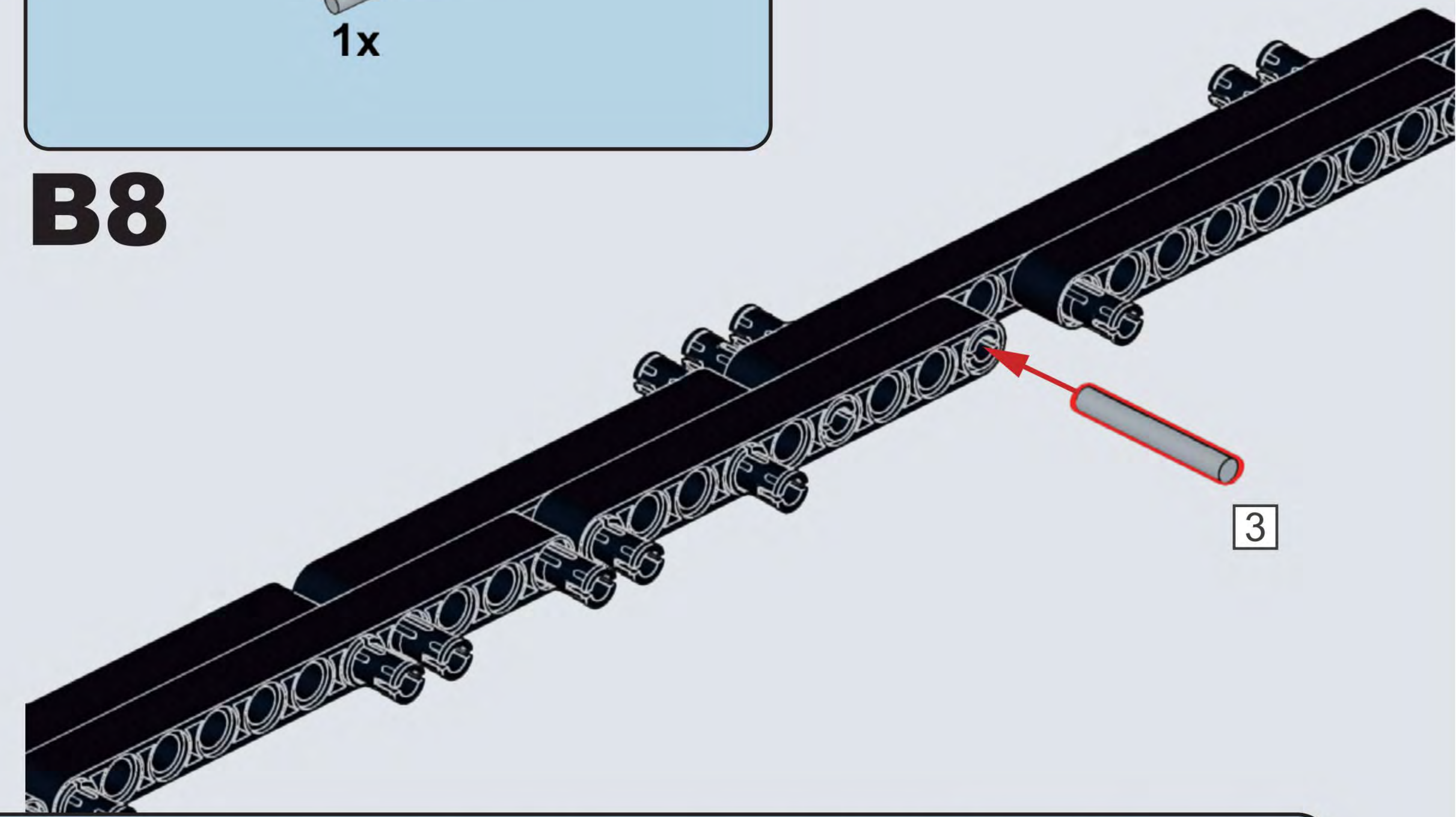




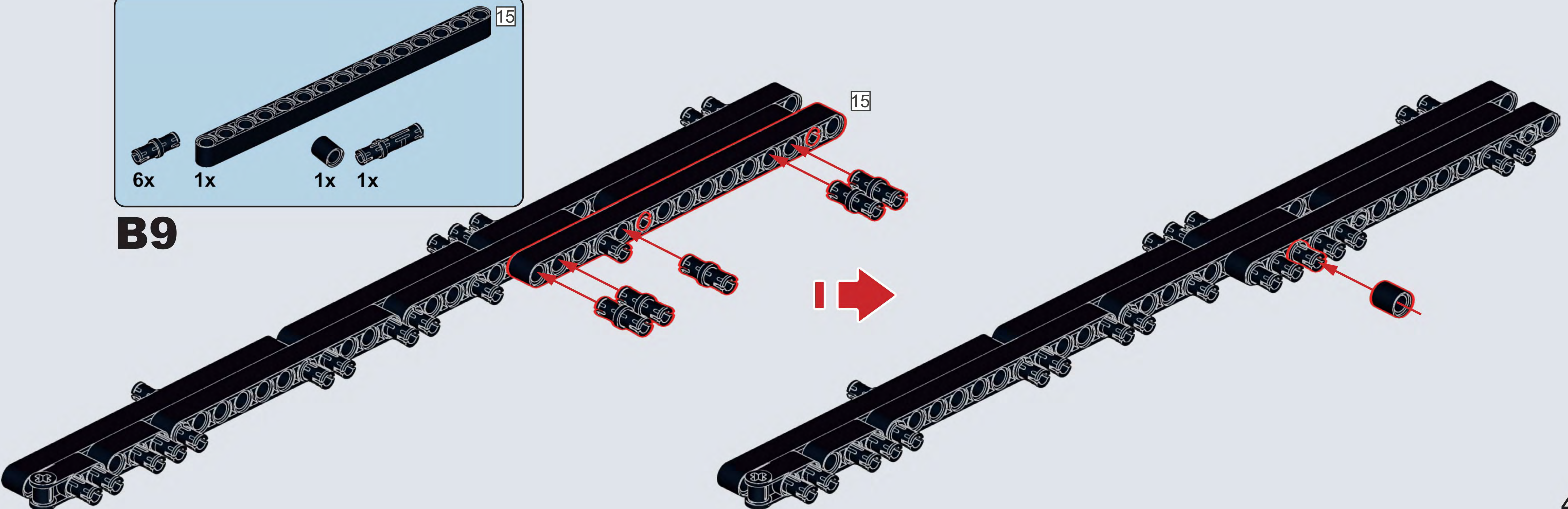
B7

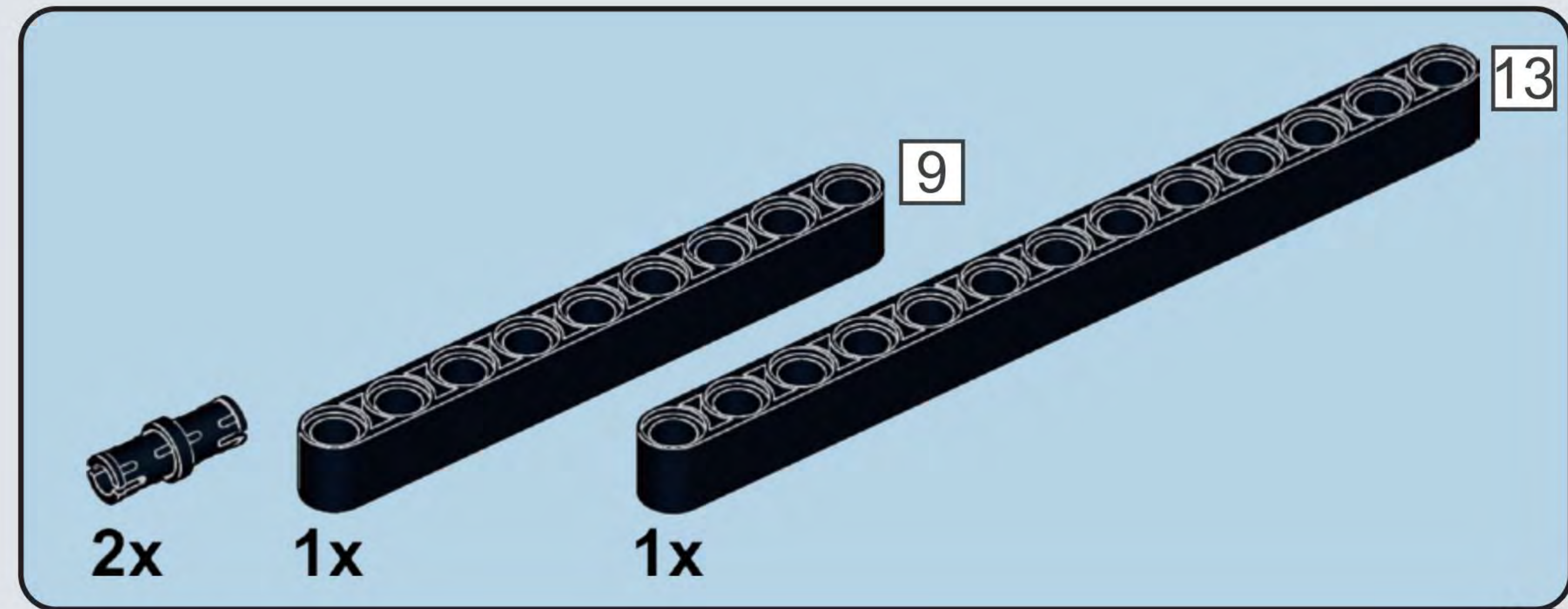


B8

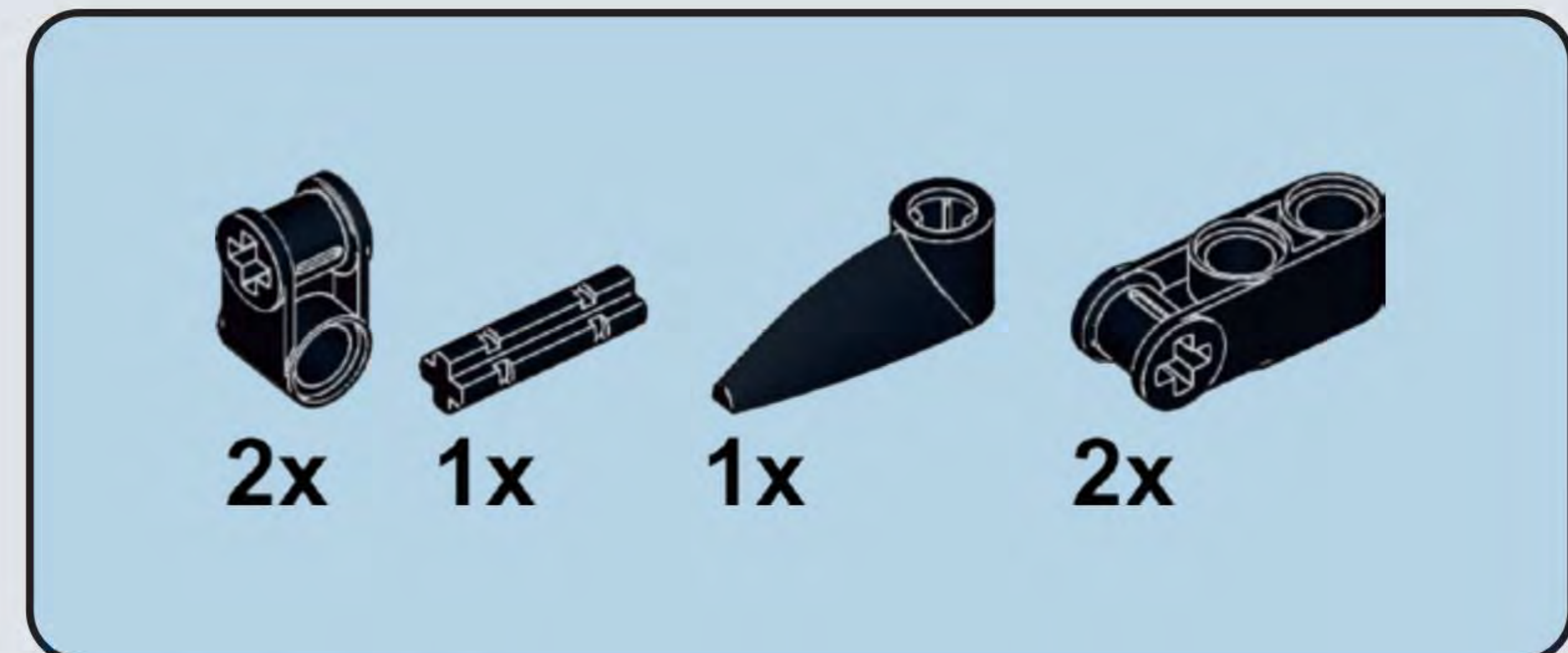
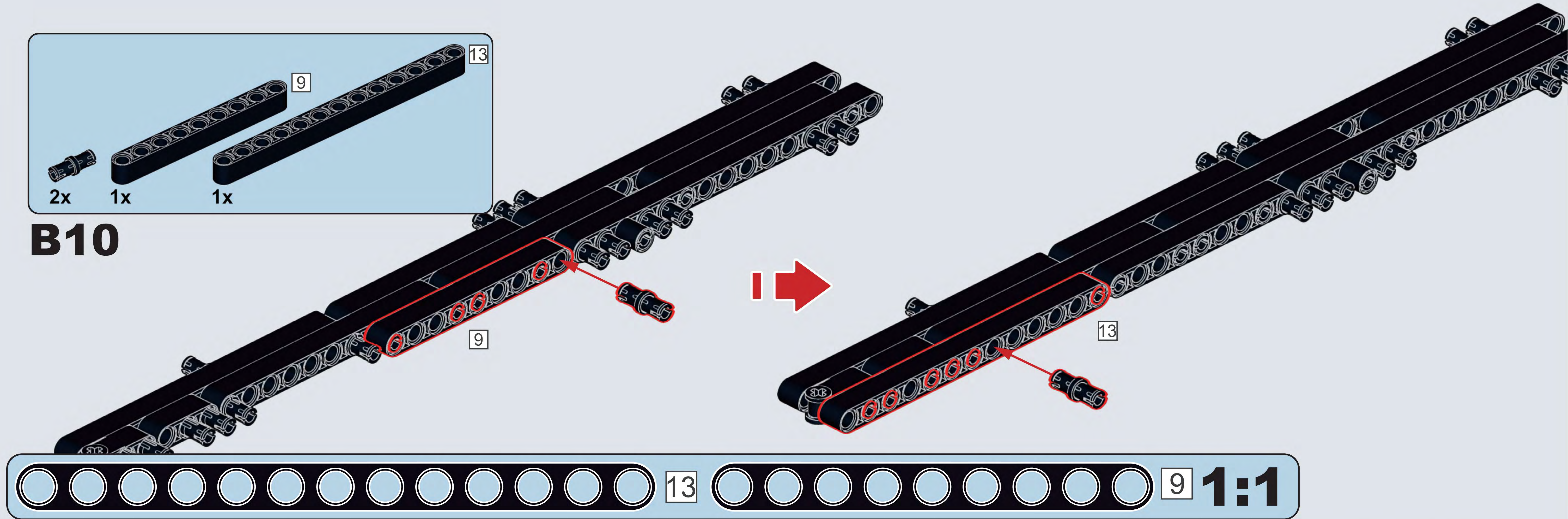


B9

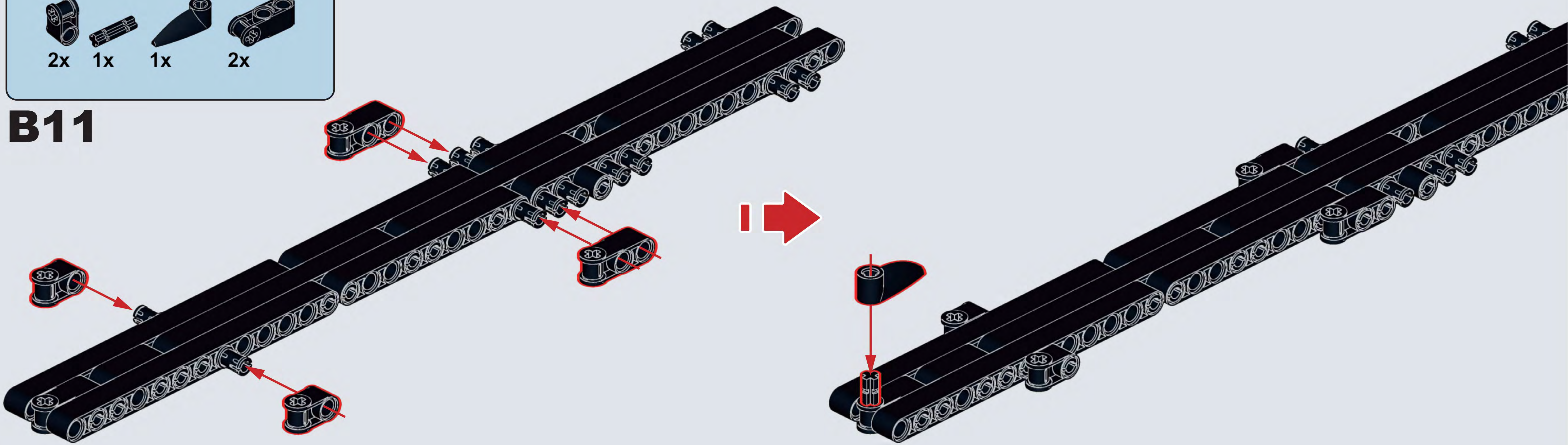


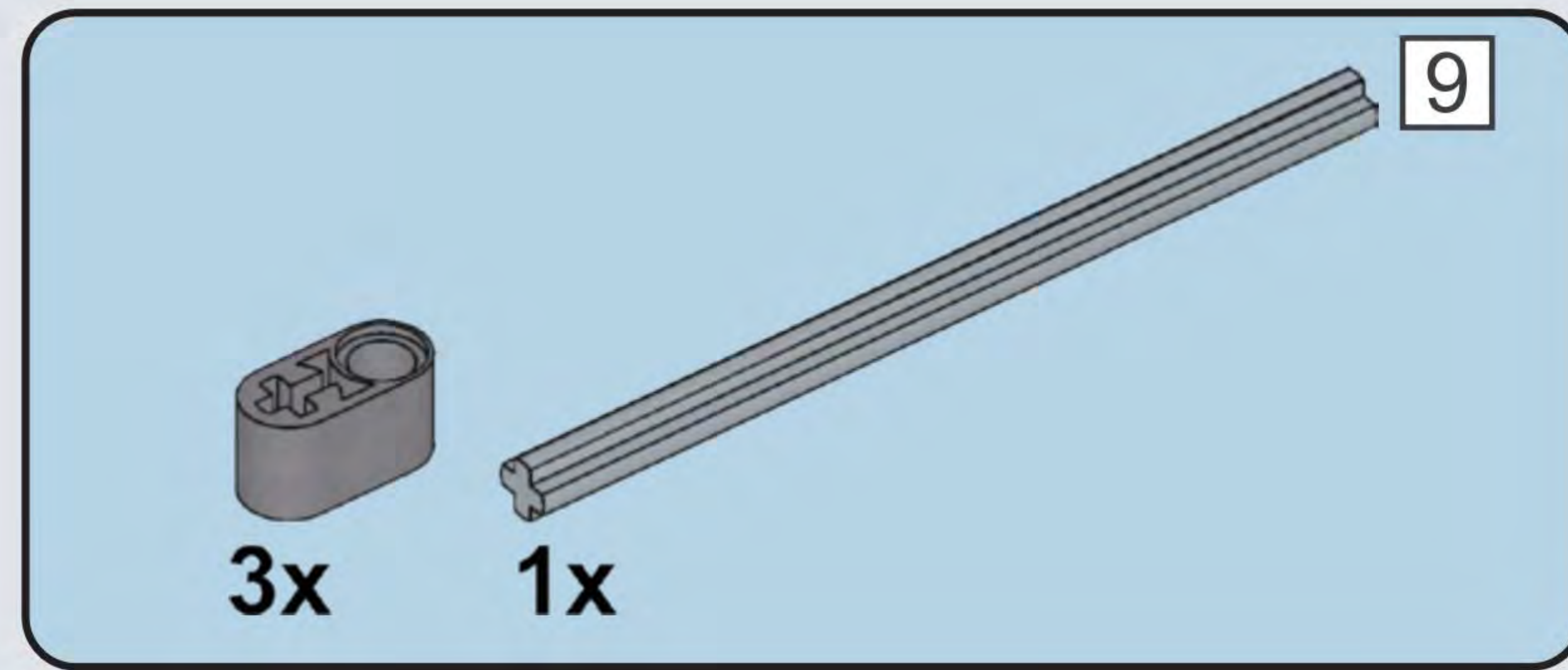


B10

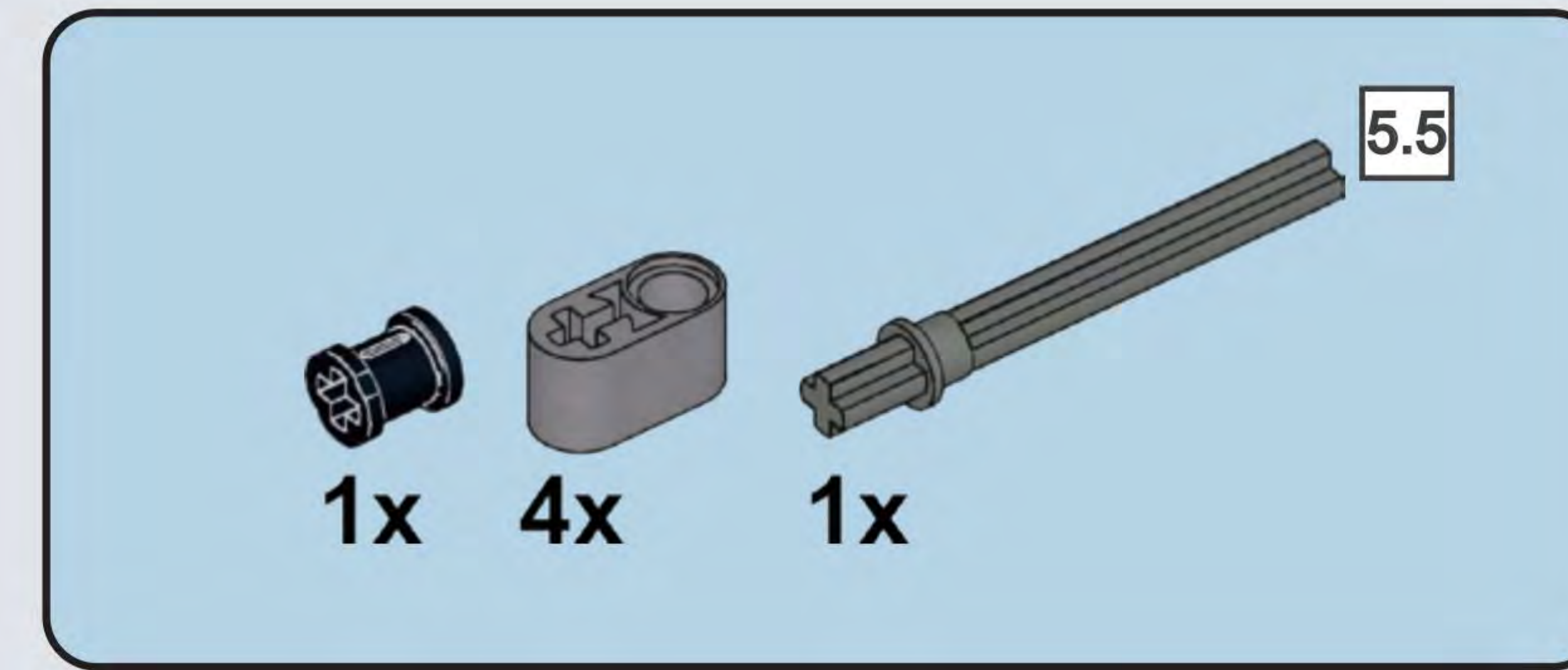
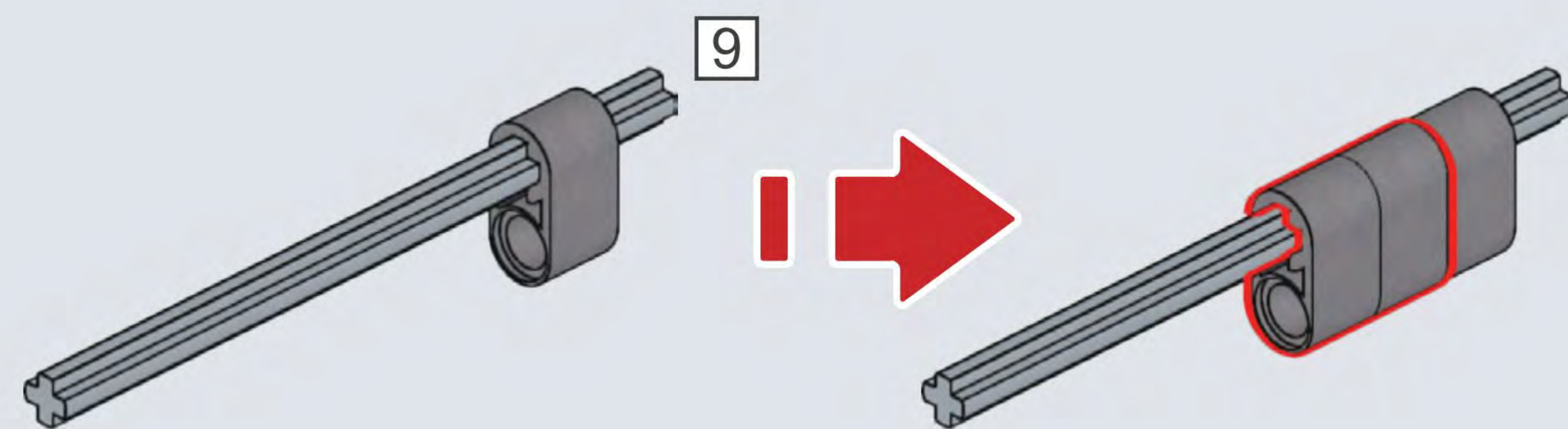


B11

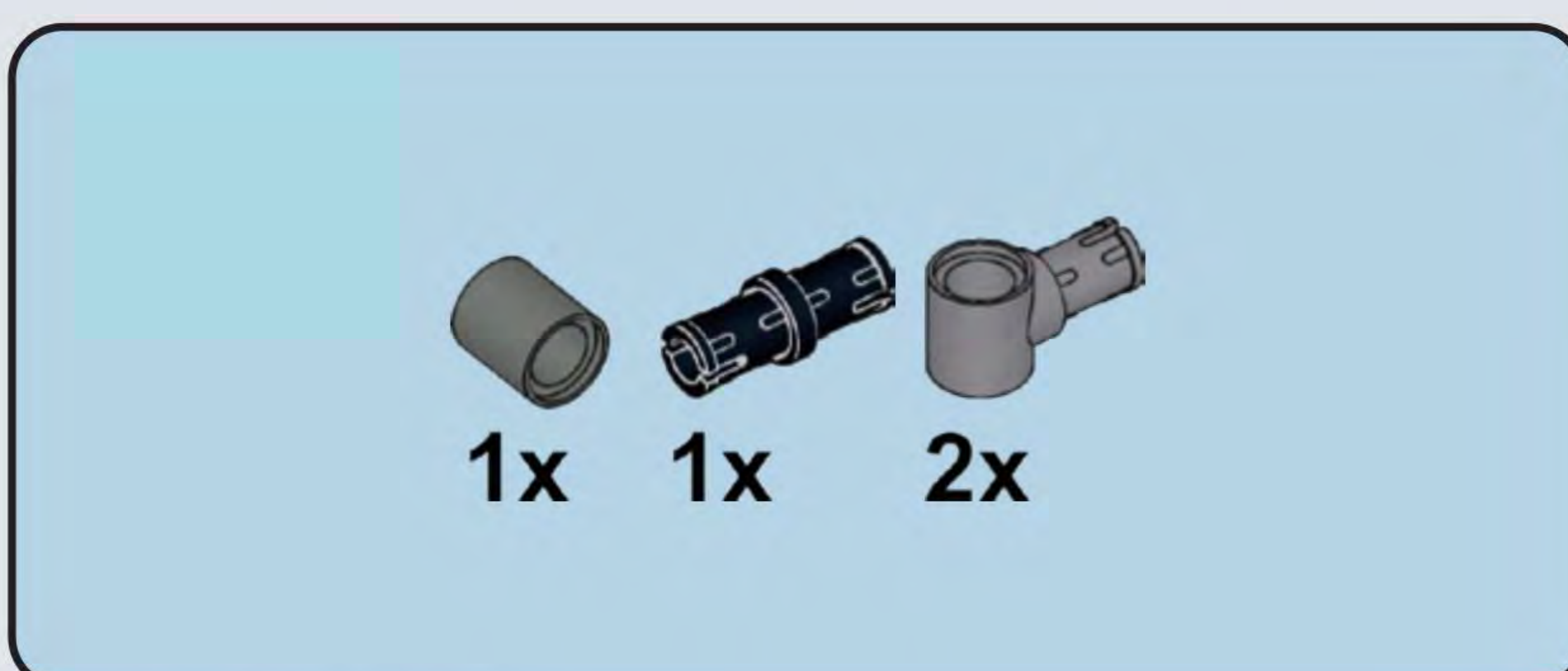
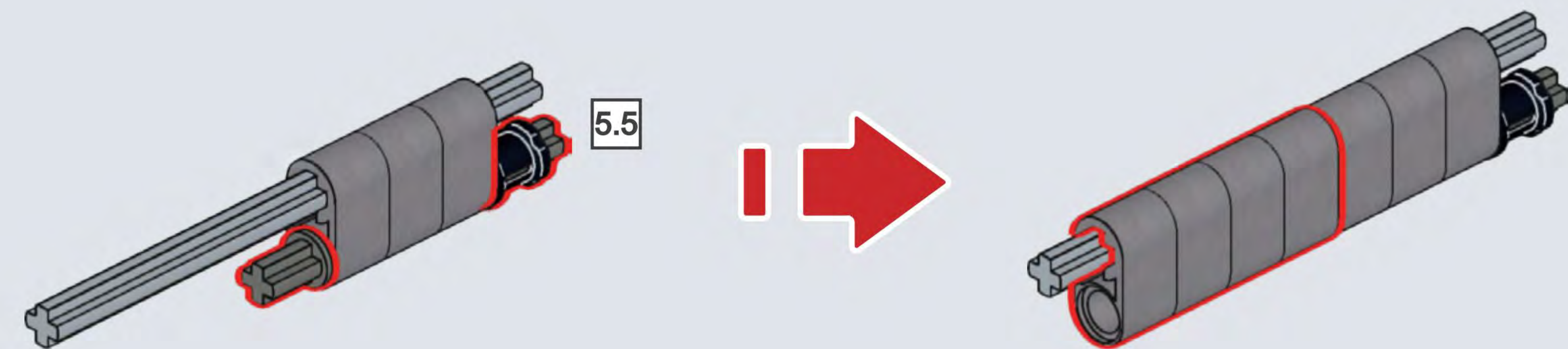




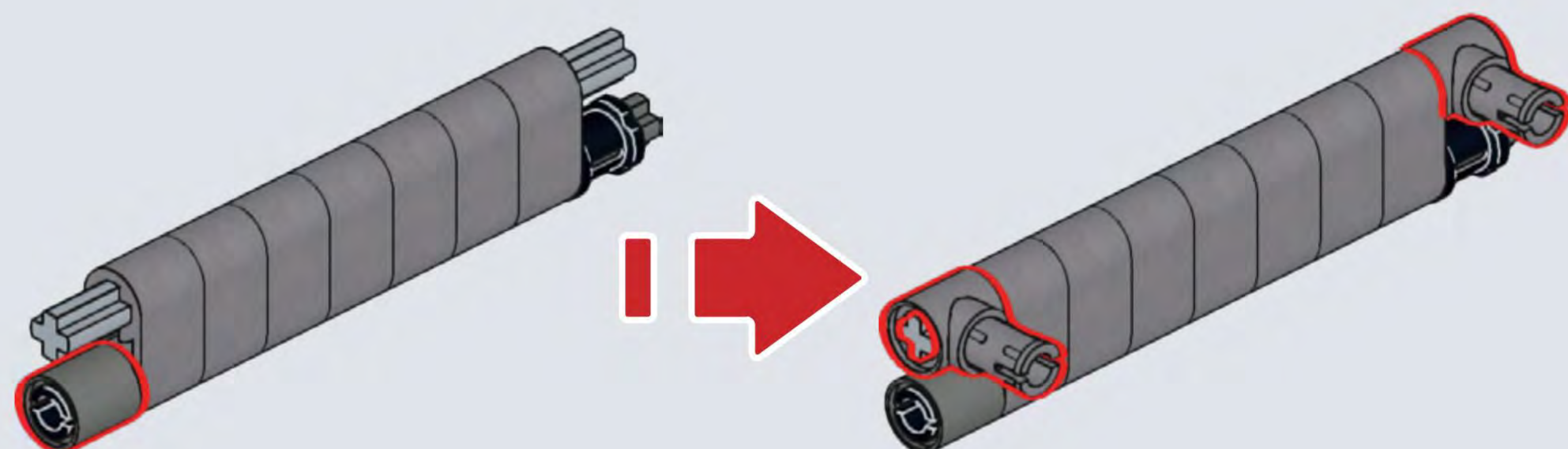
B12



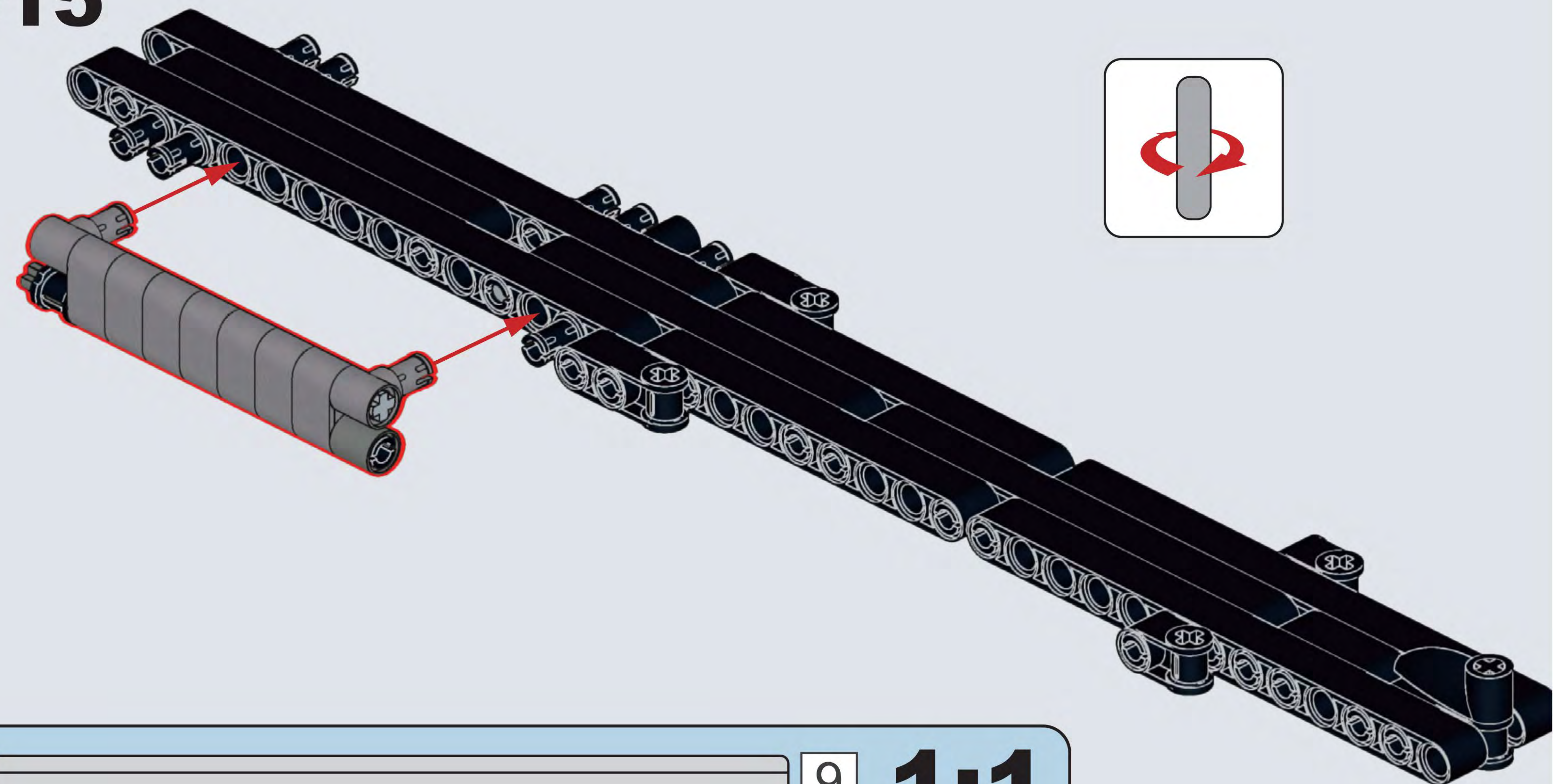
B13



B14

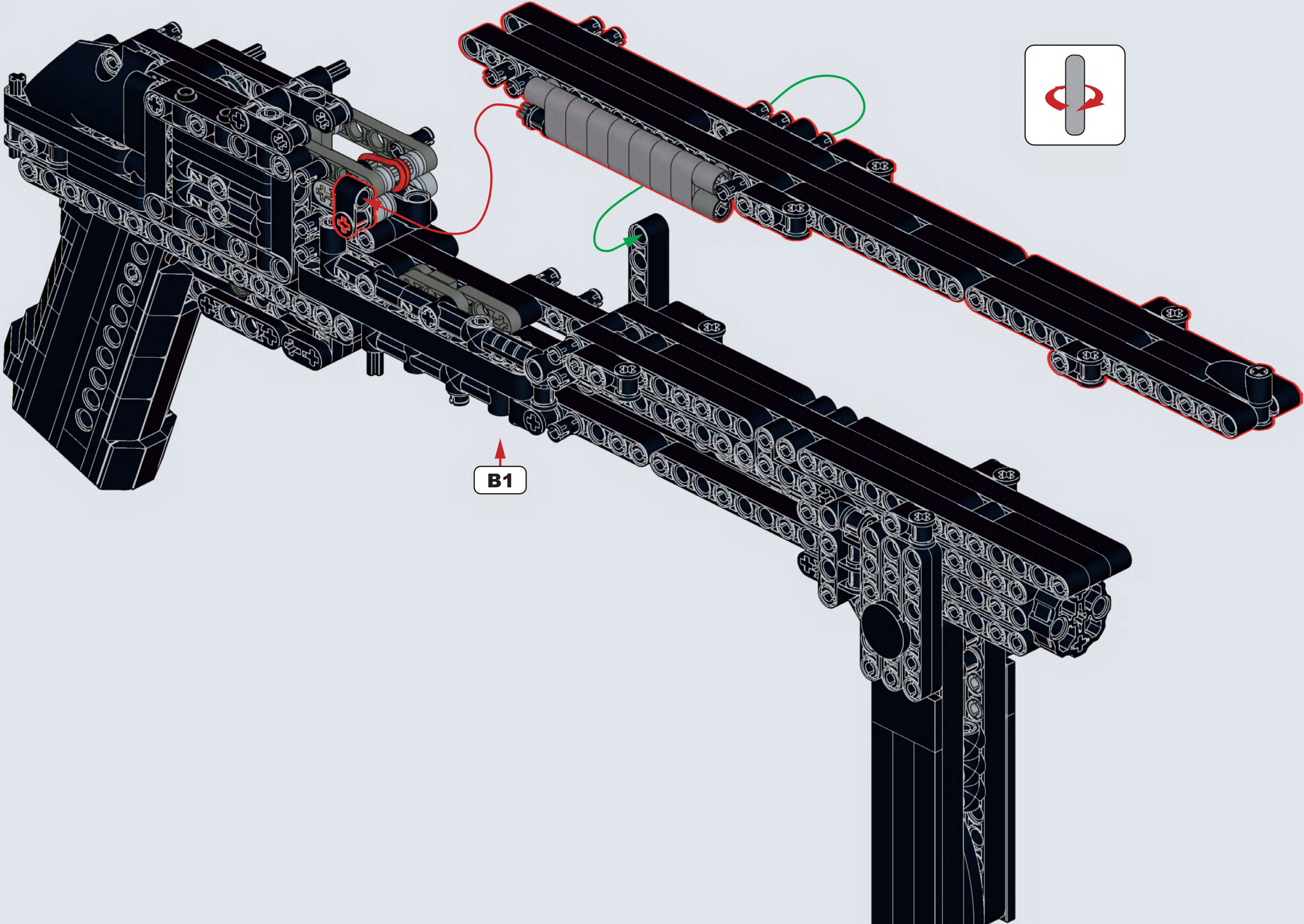


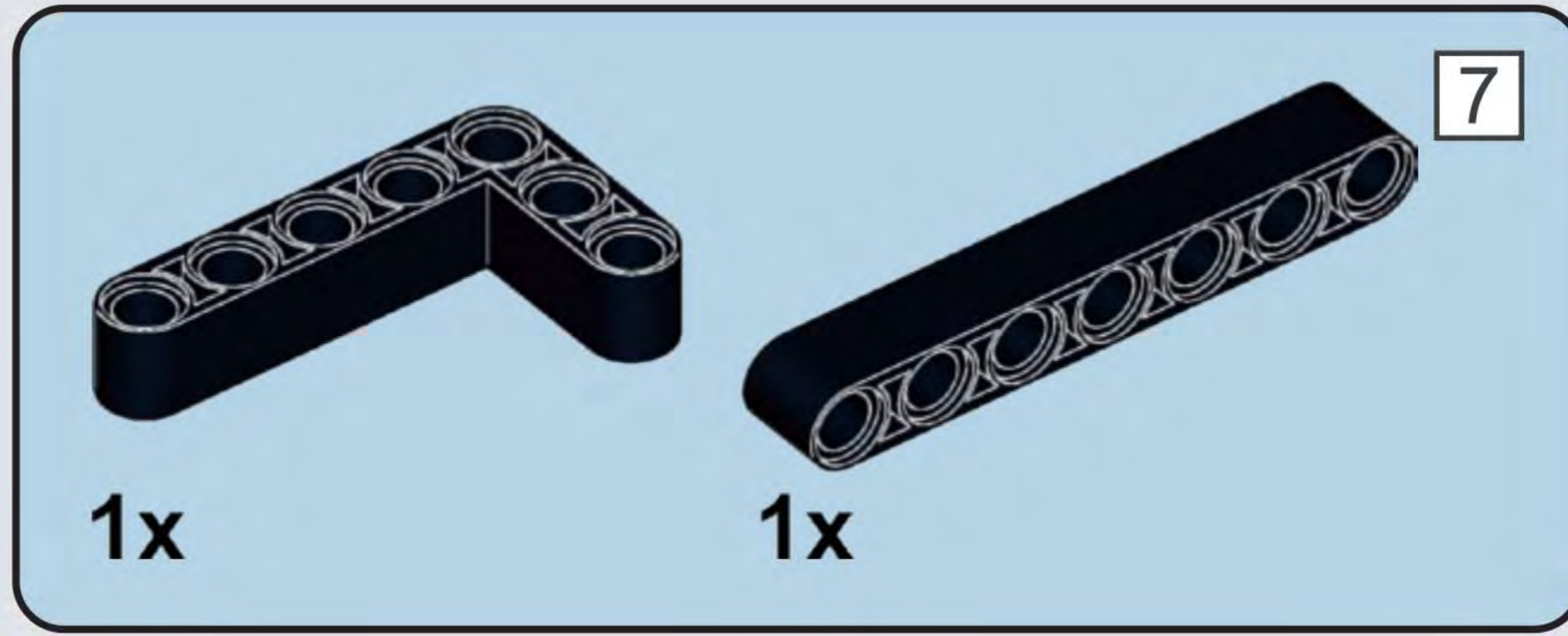
B15



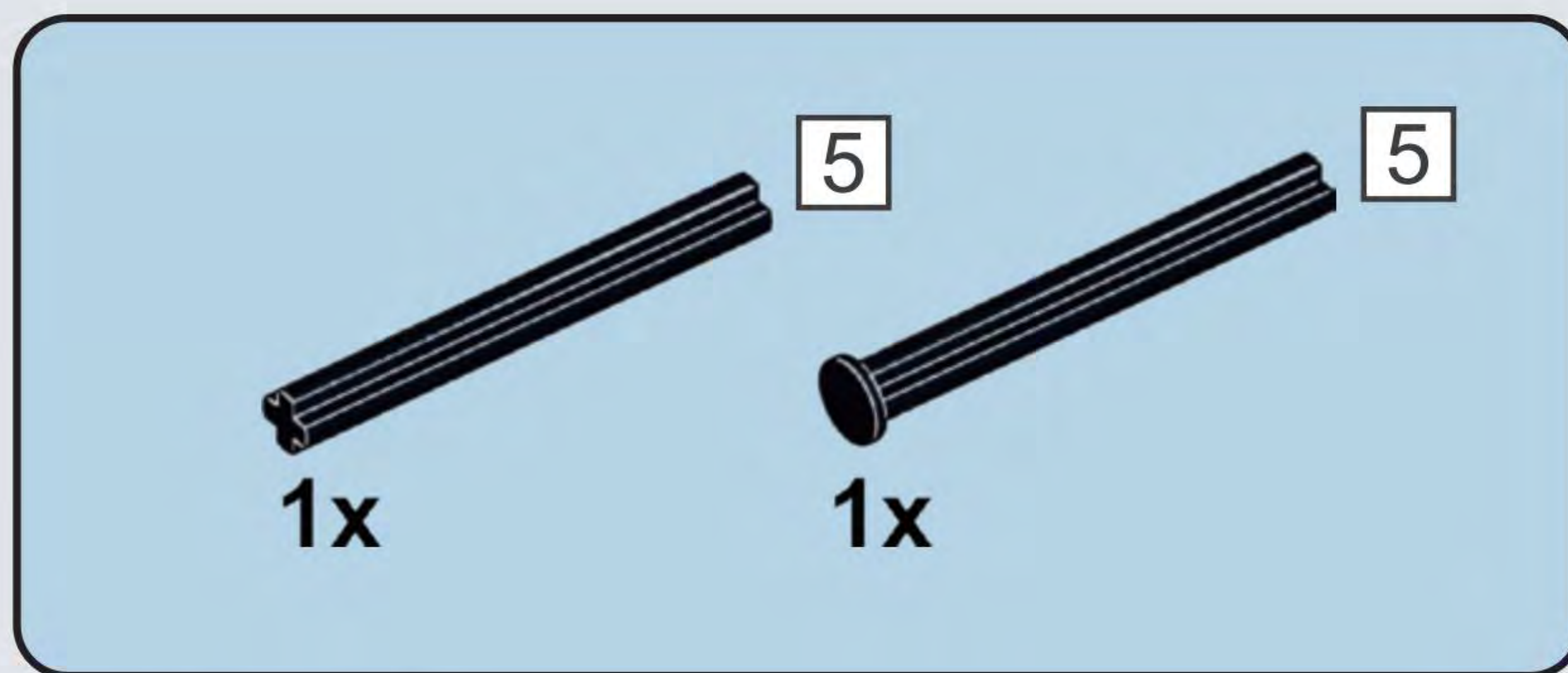
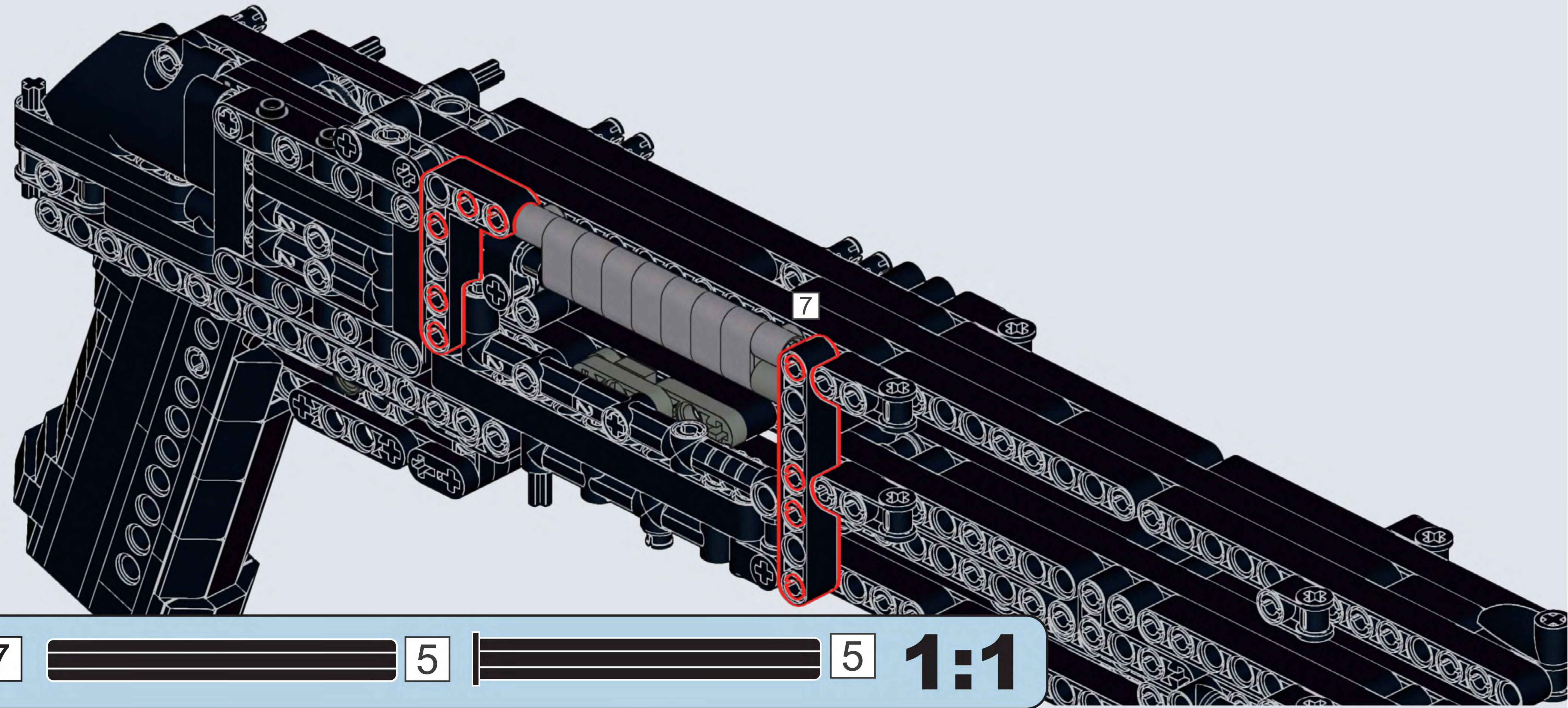


B16

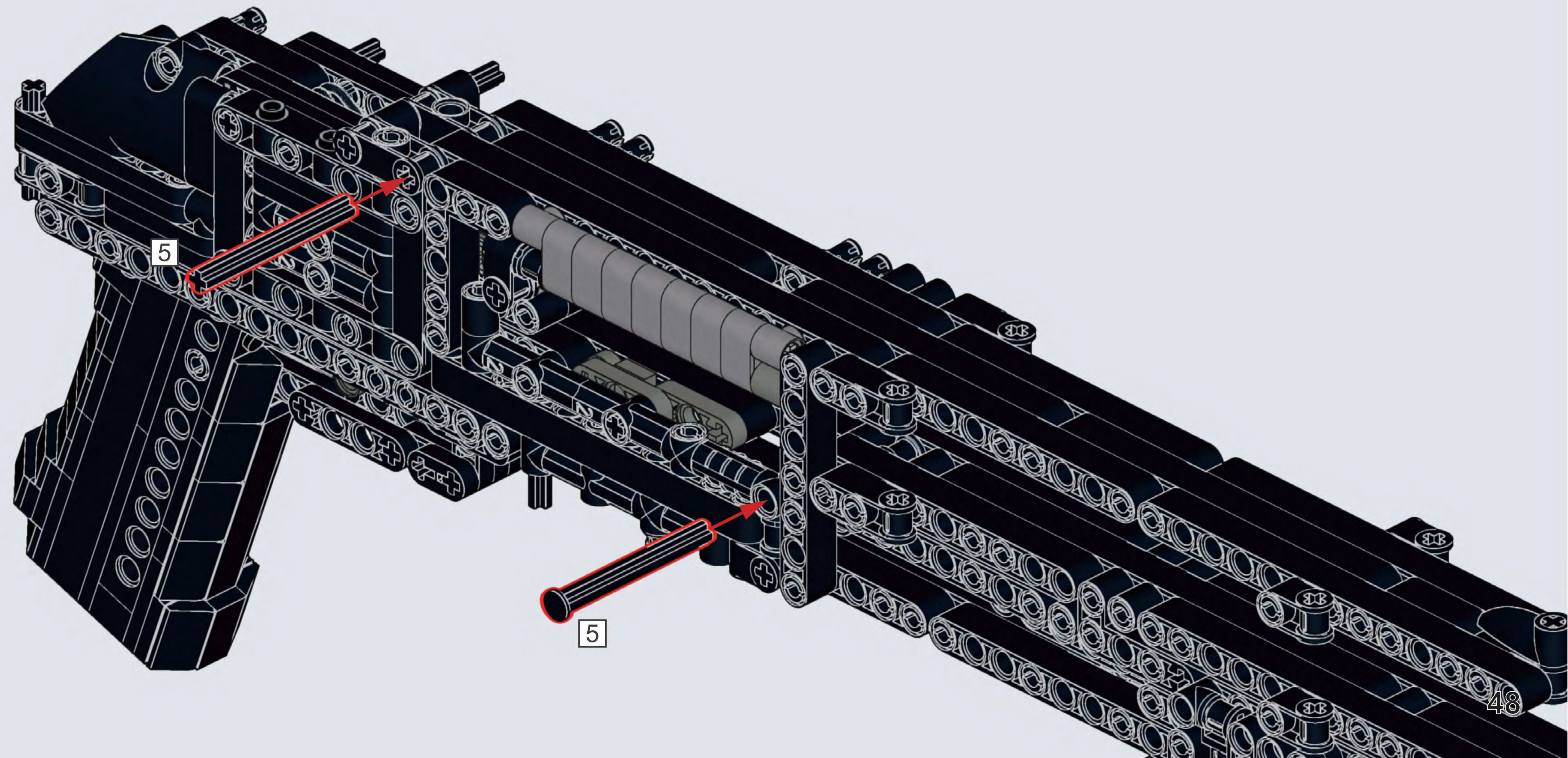


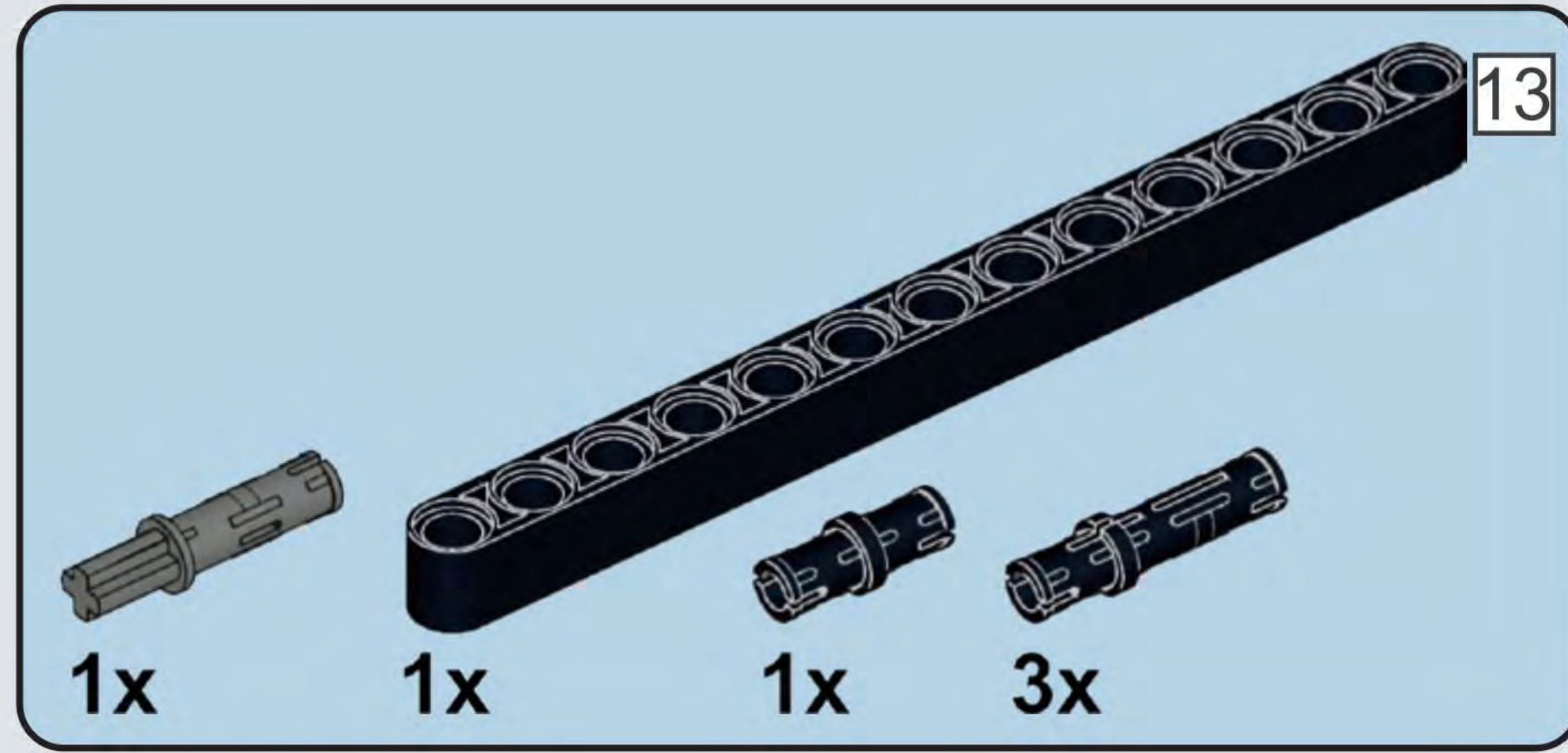


B17

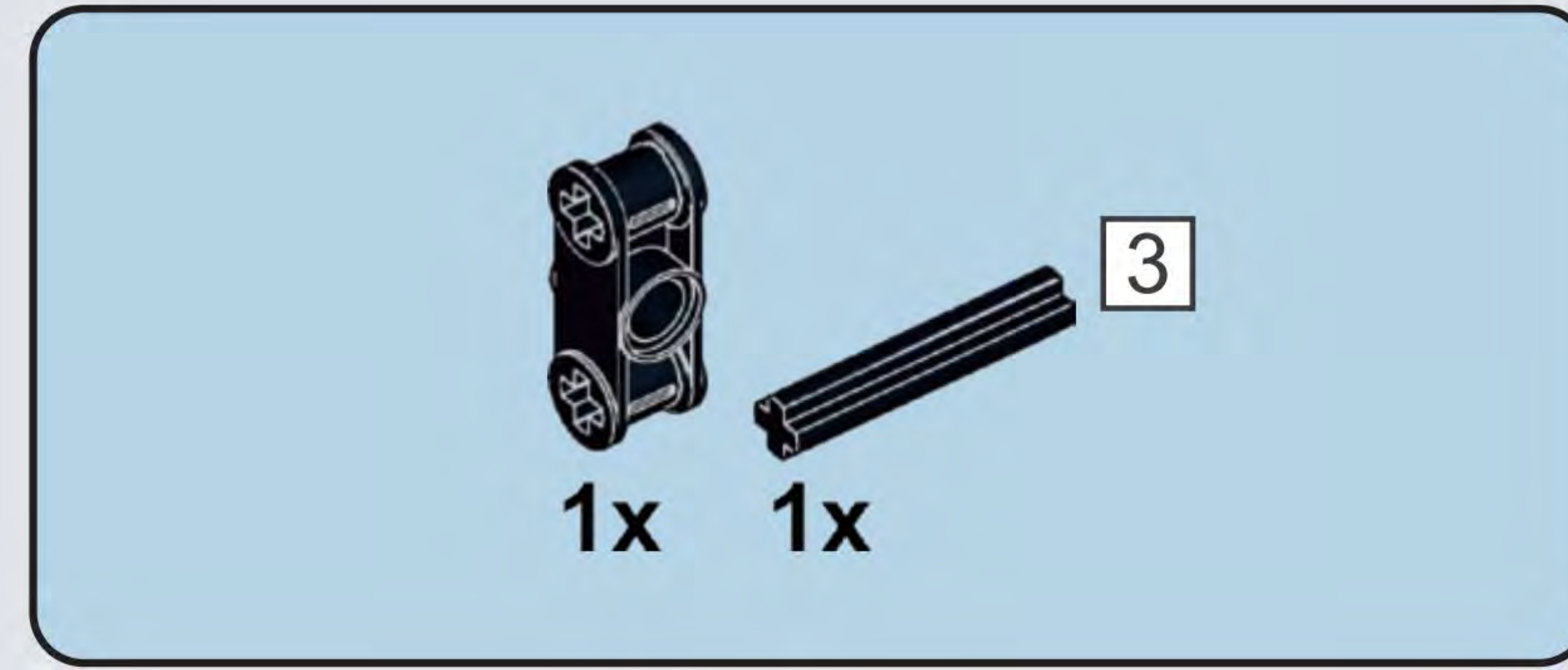
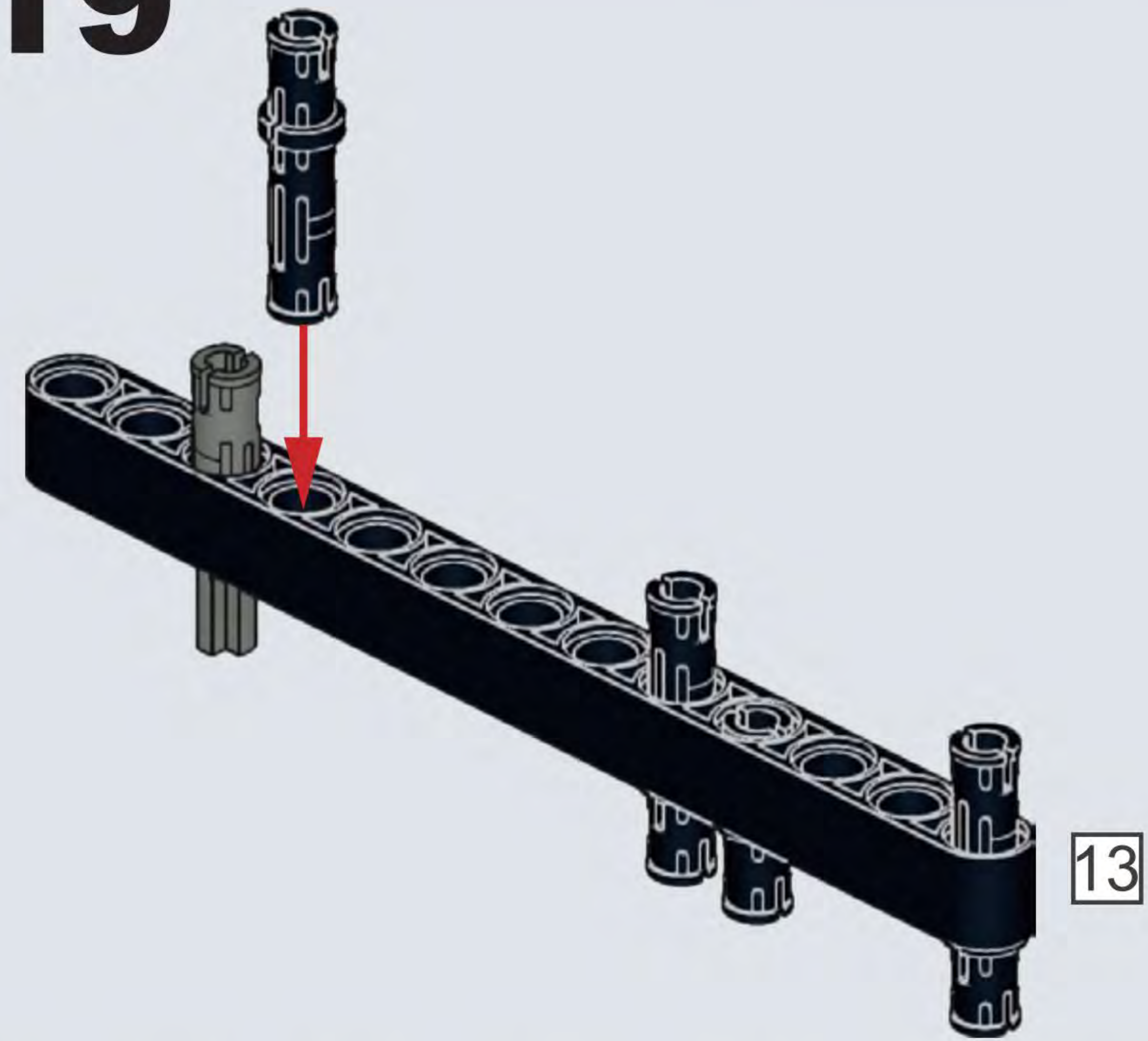


B18

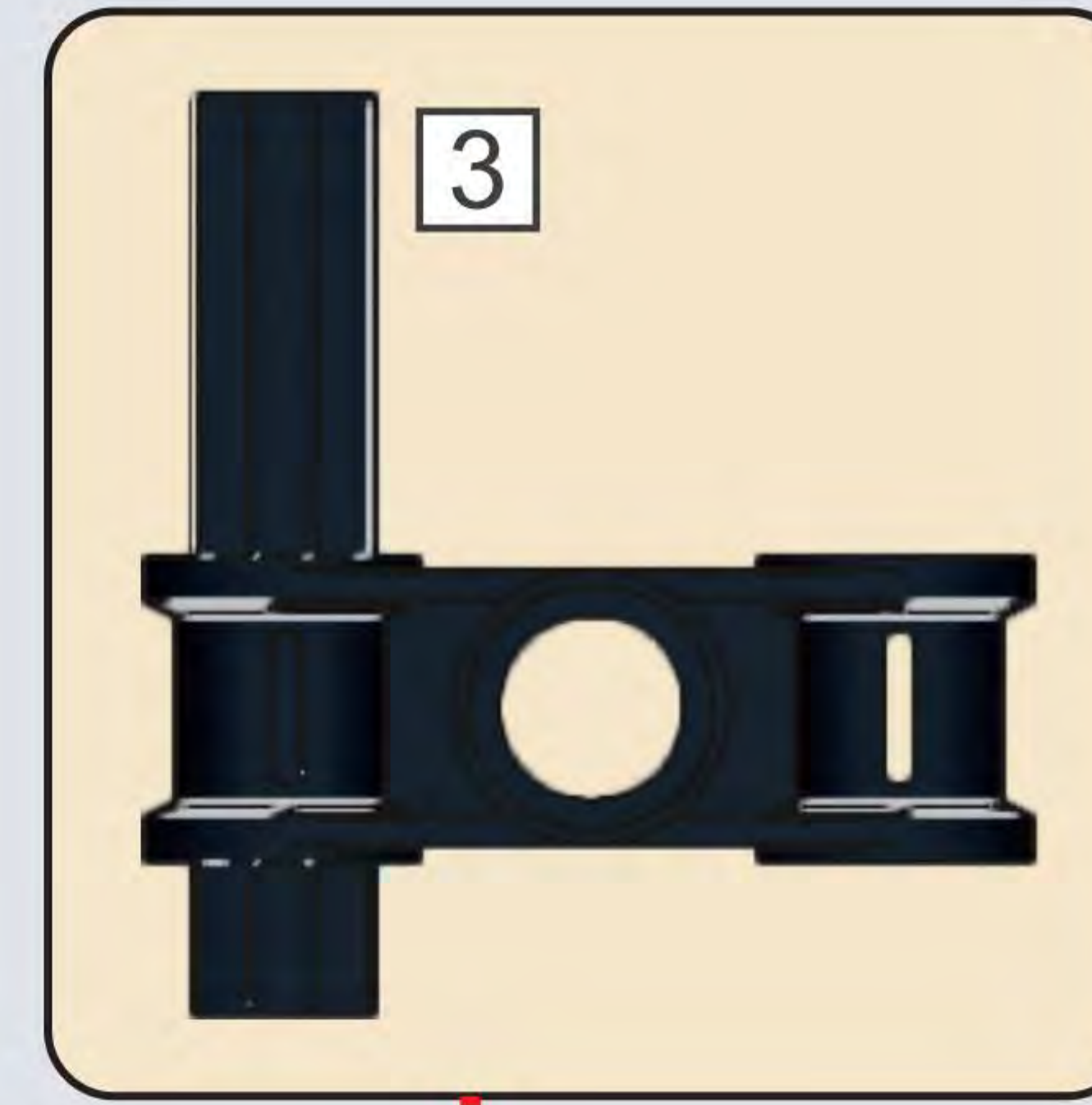
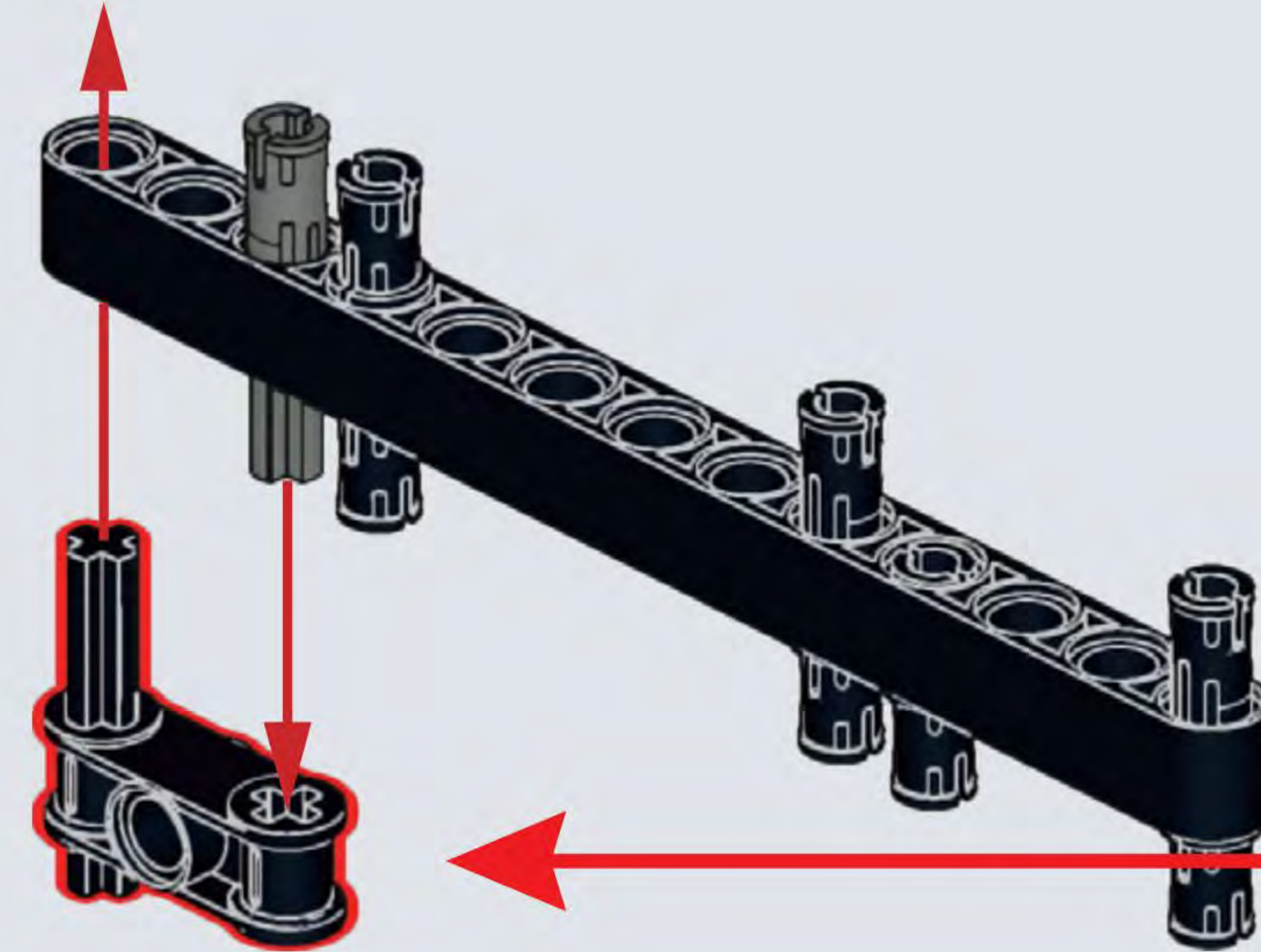




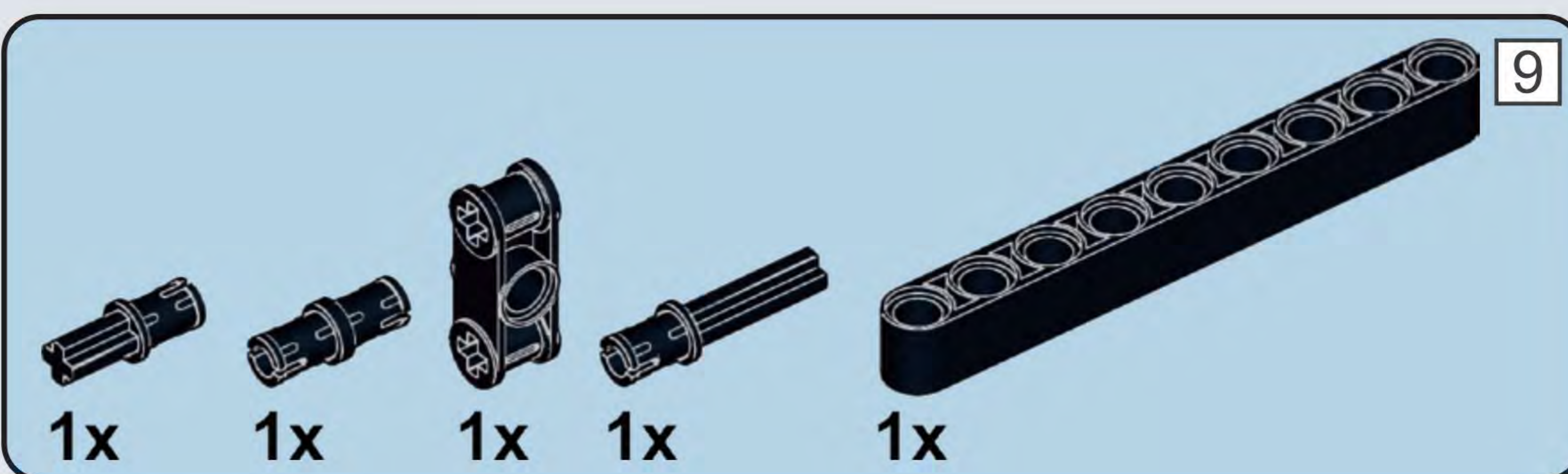
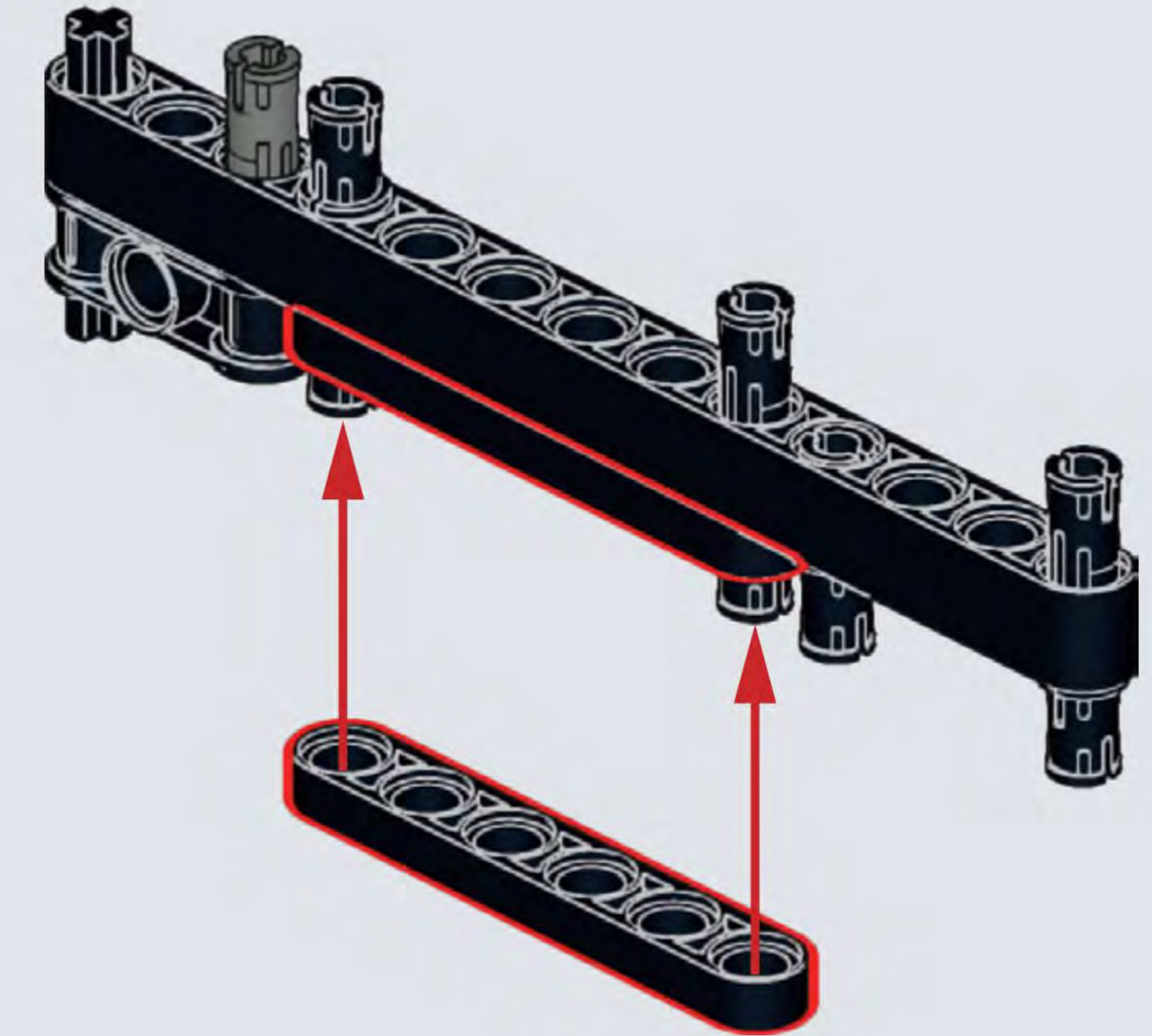
B19



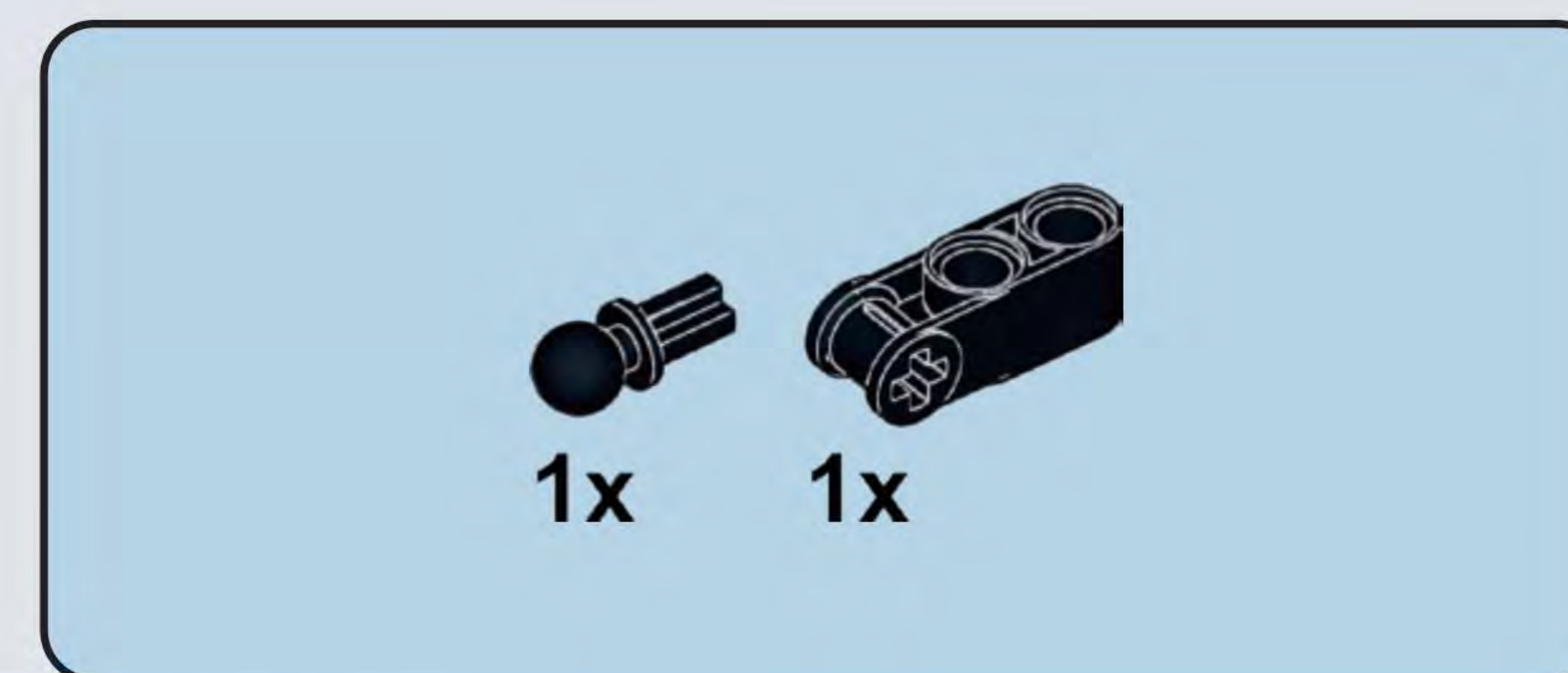
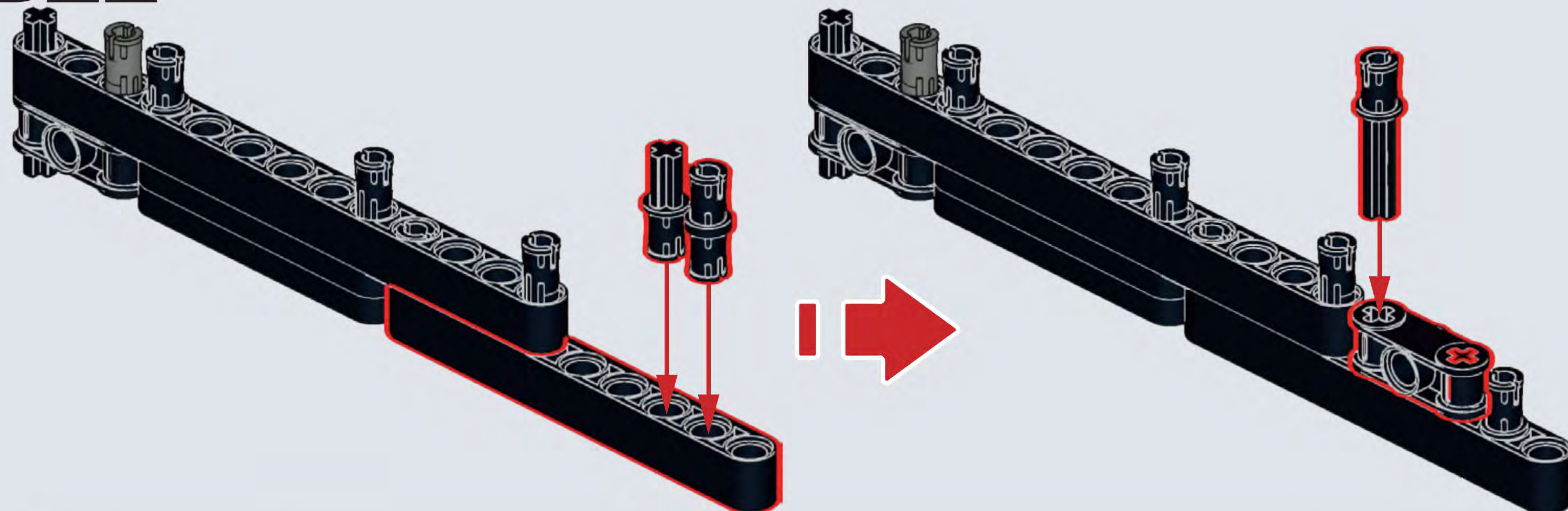
B20



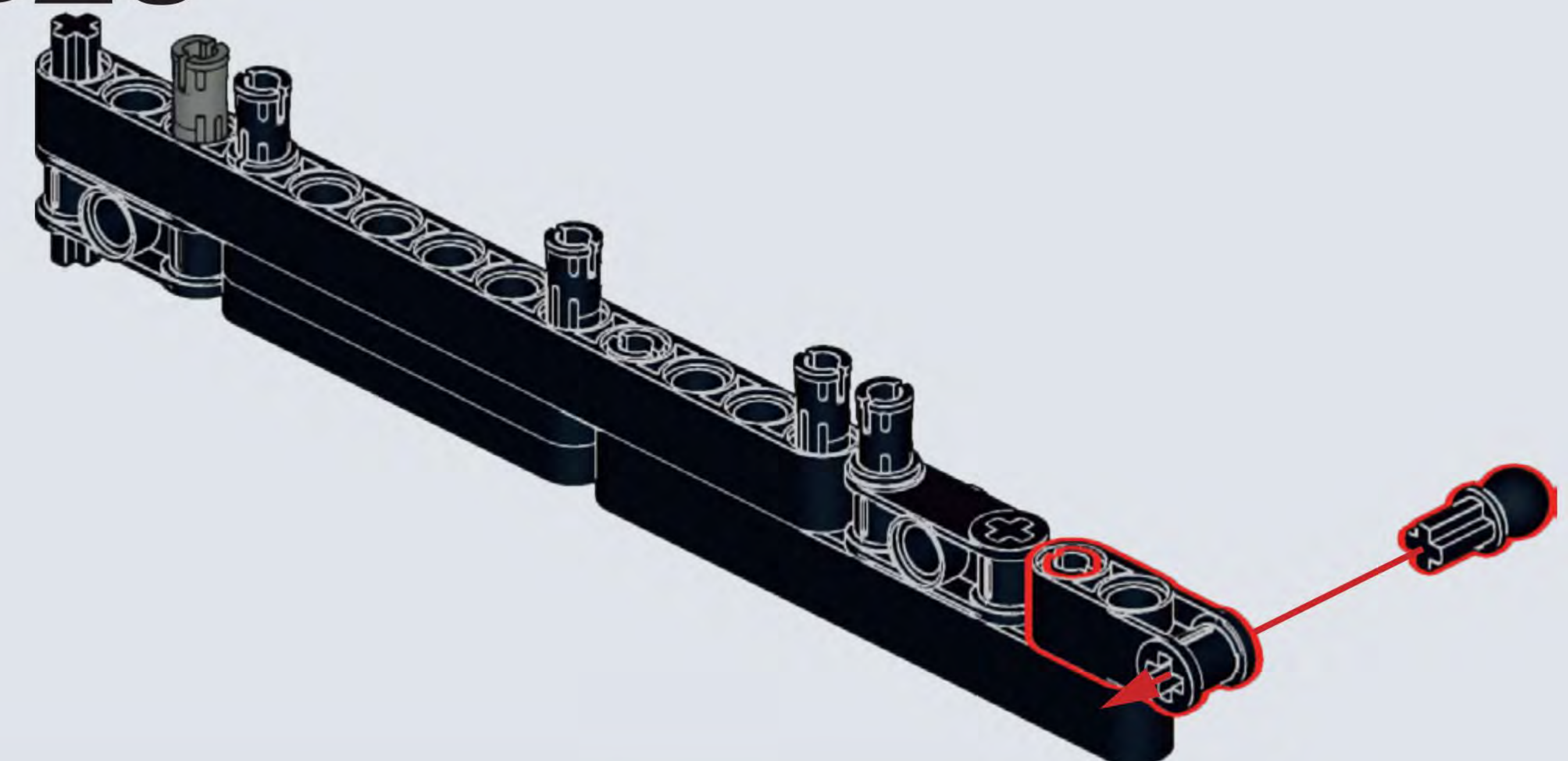
B21

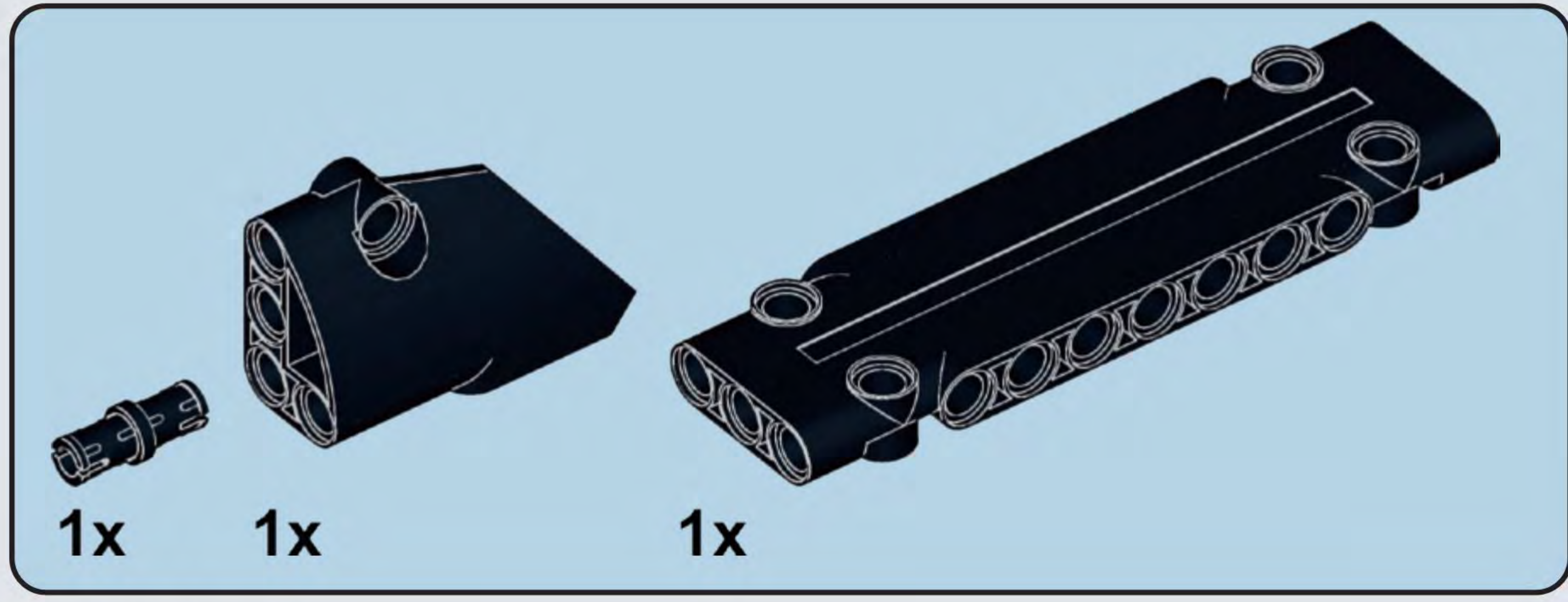


B22

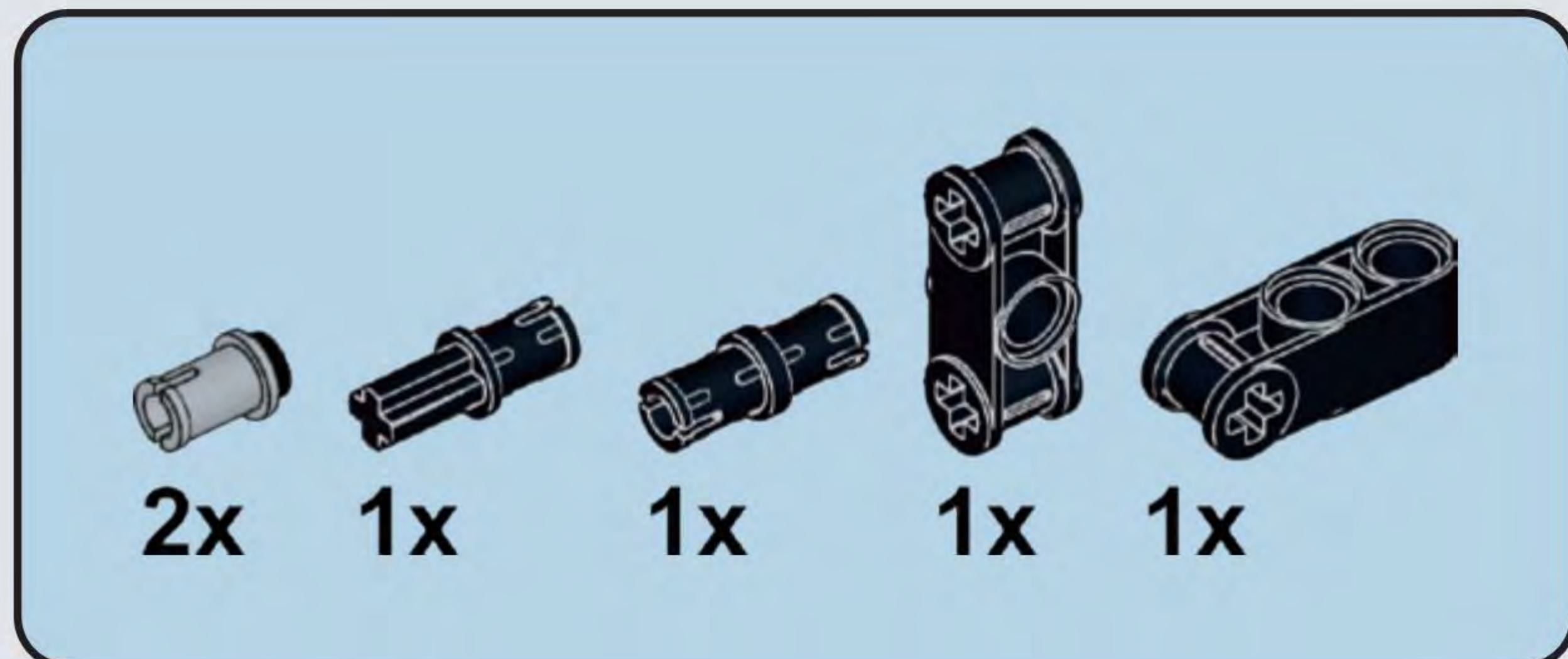
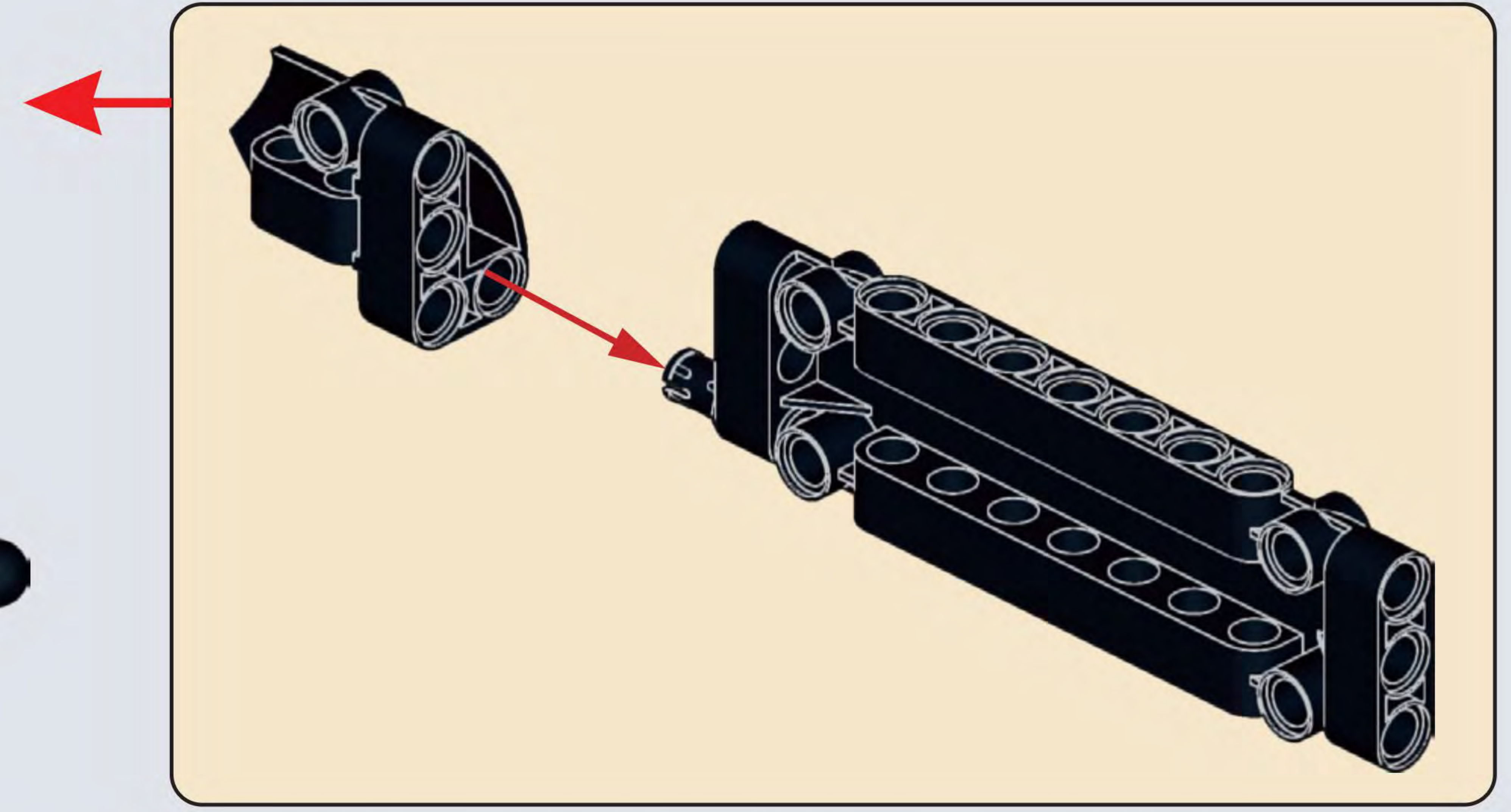
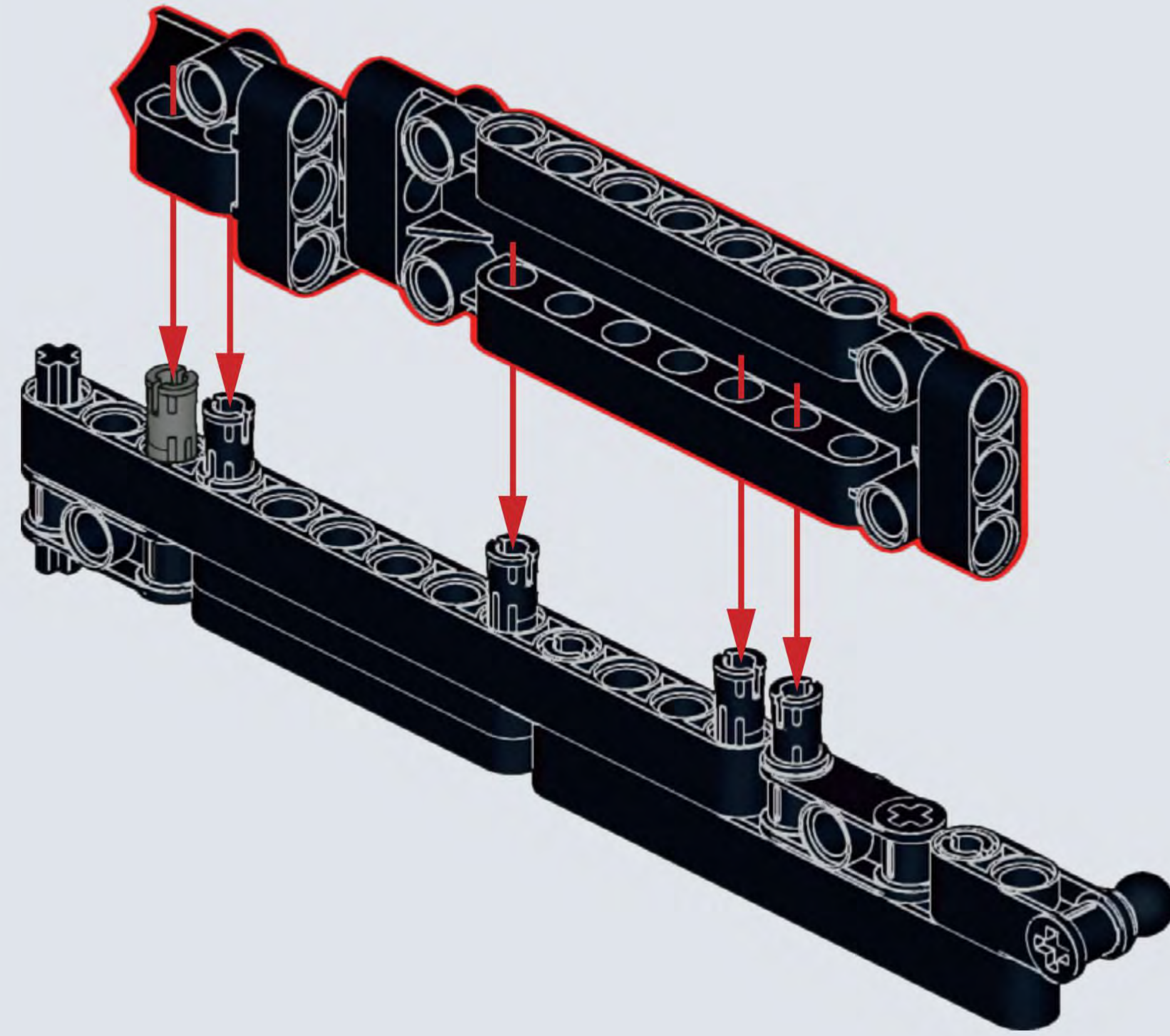


B23

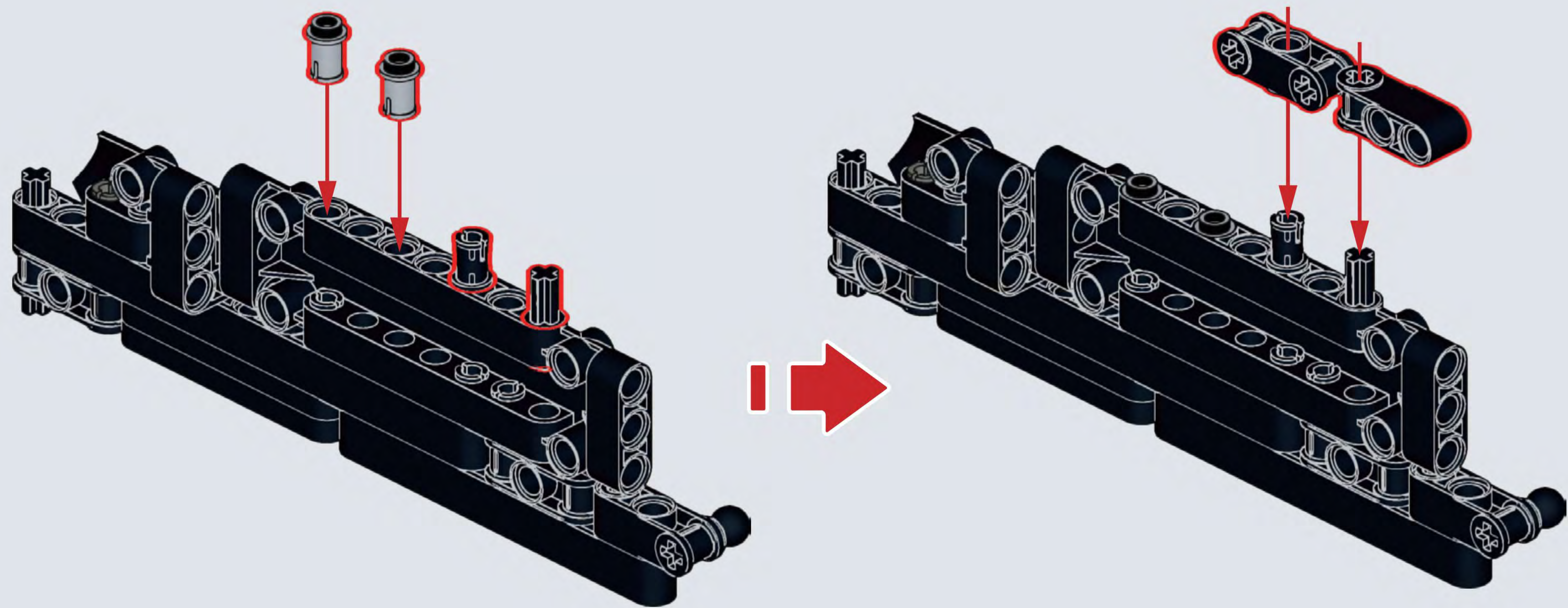


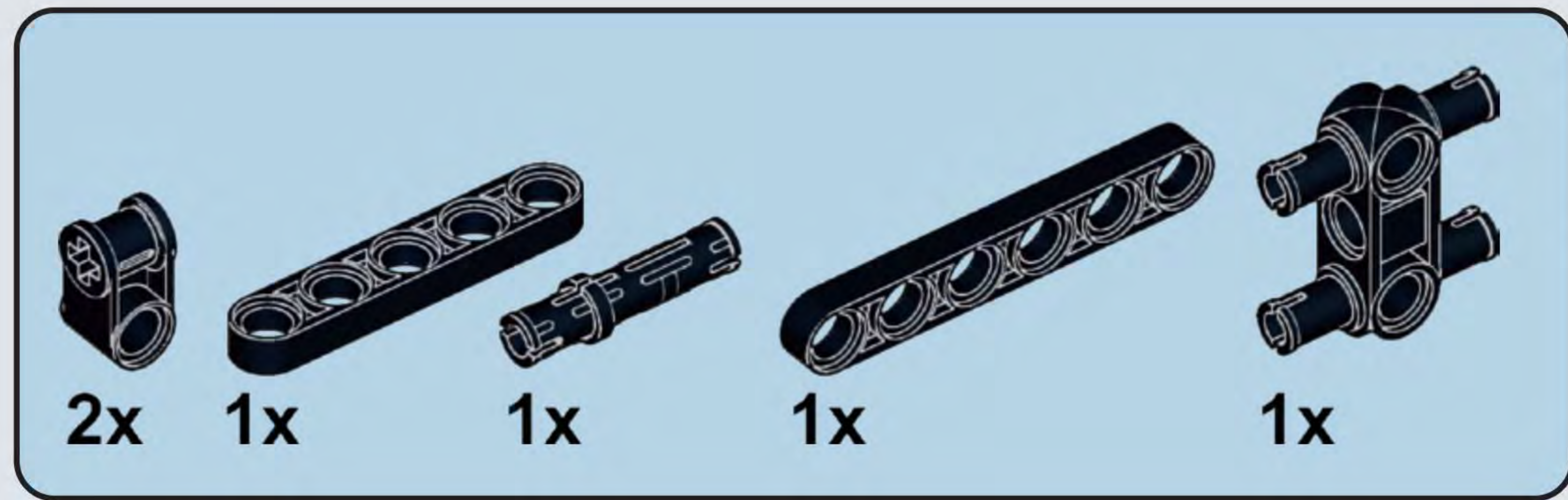


B24

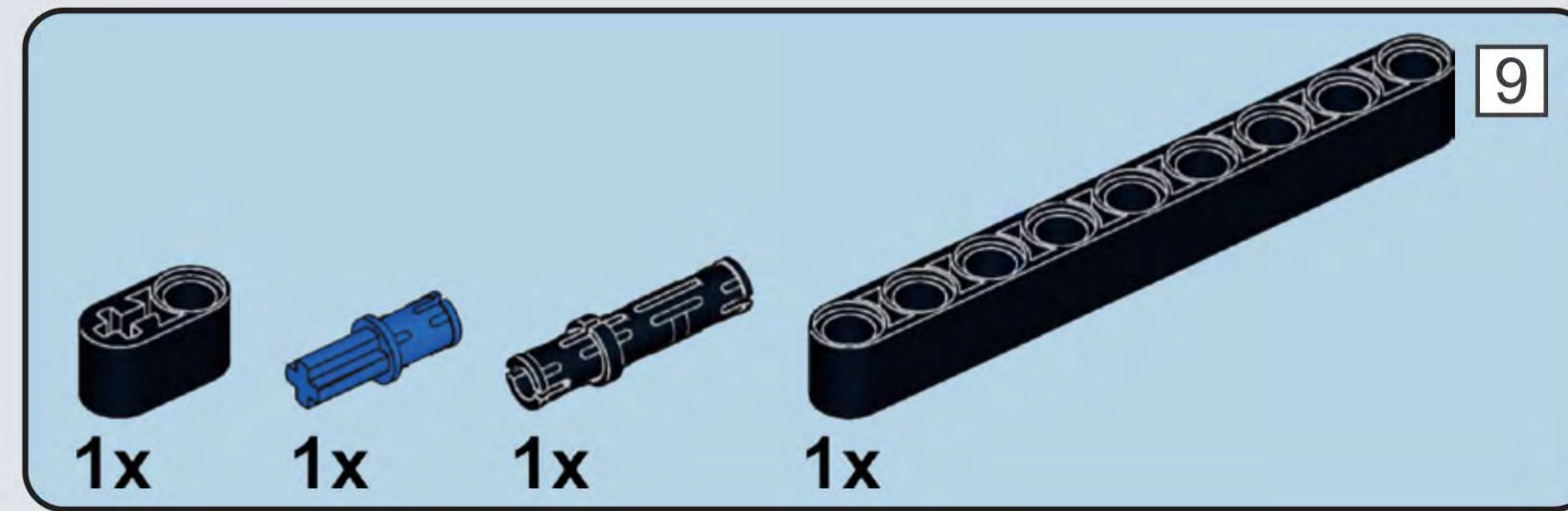
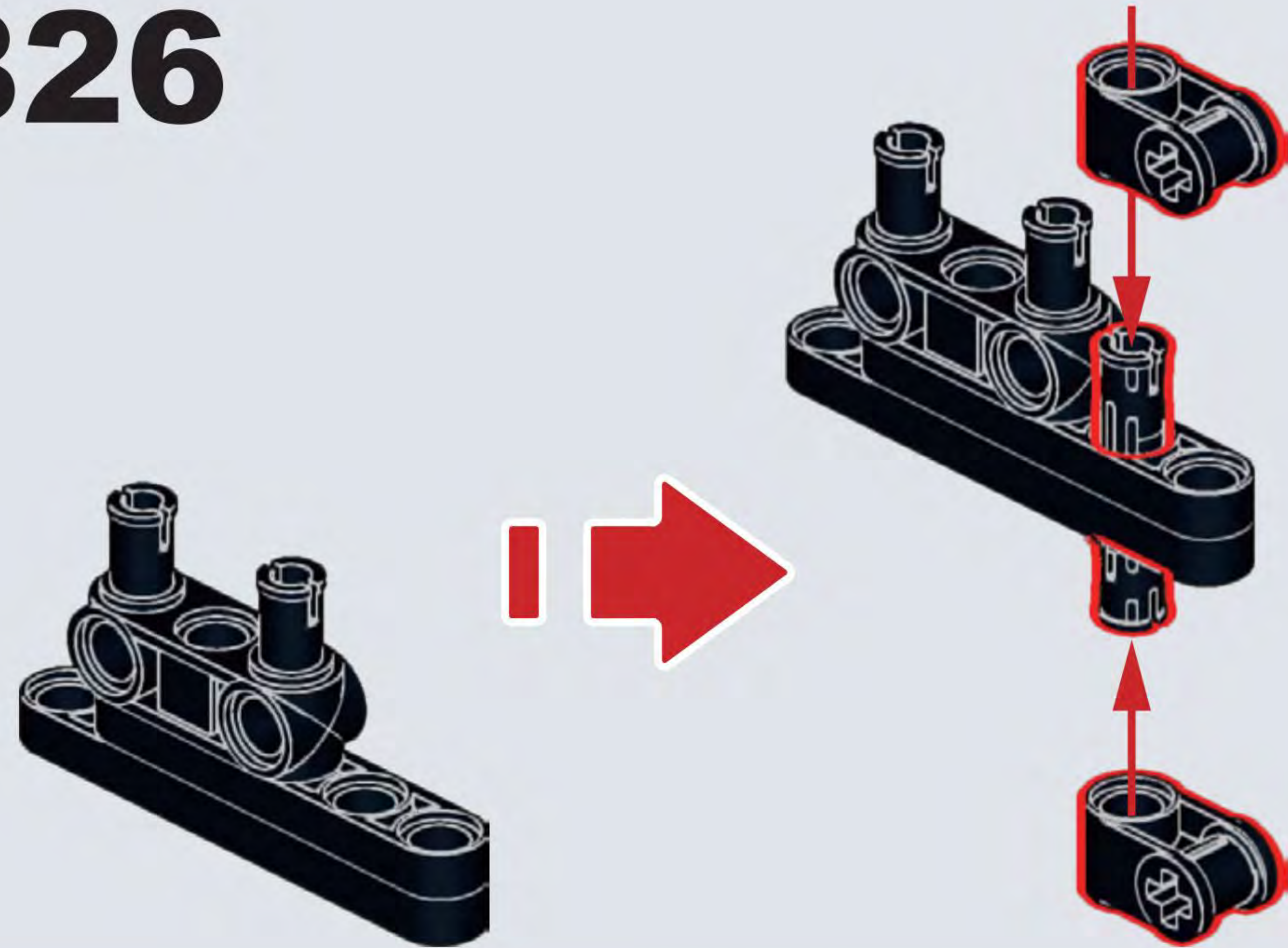


B25

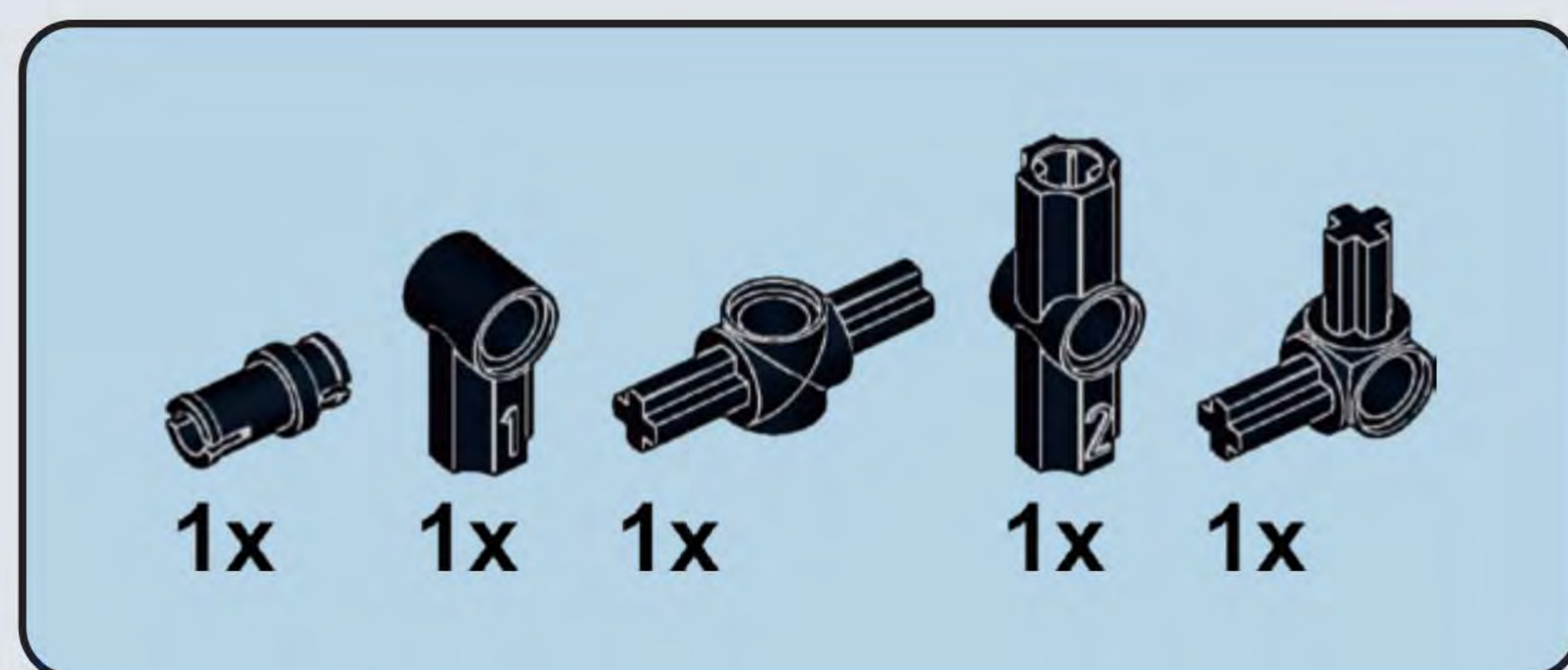
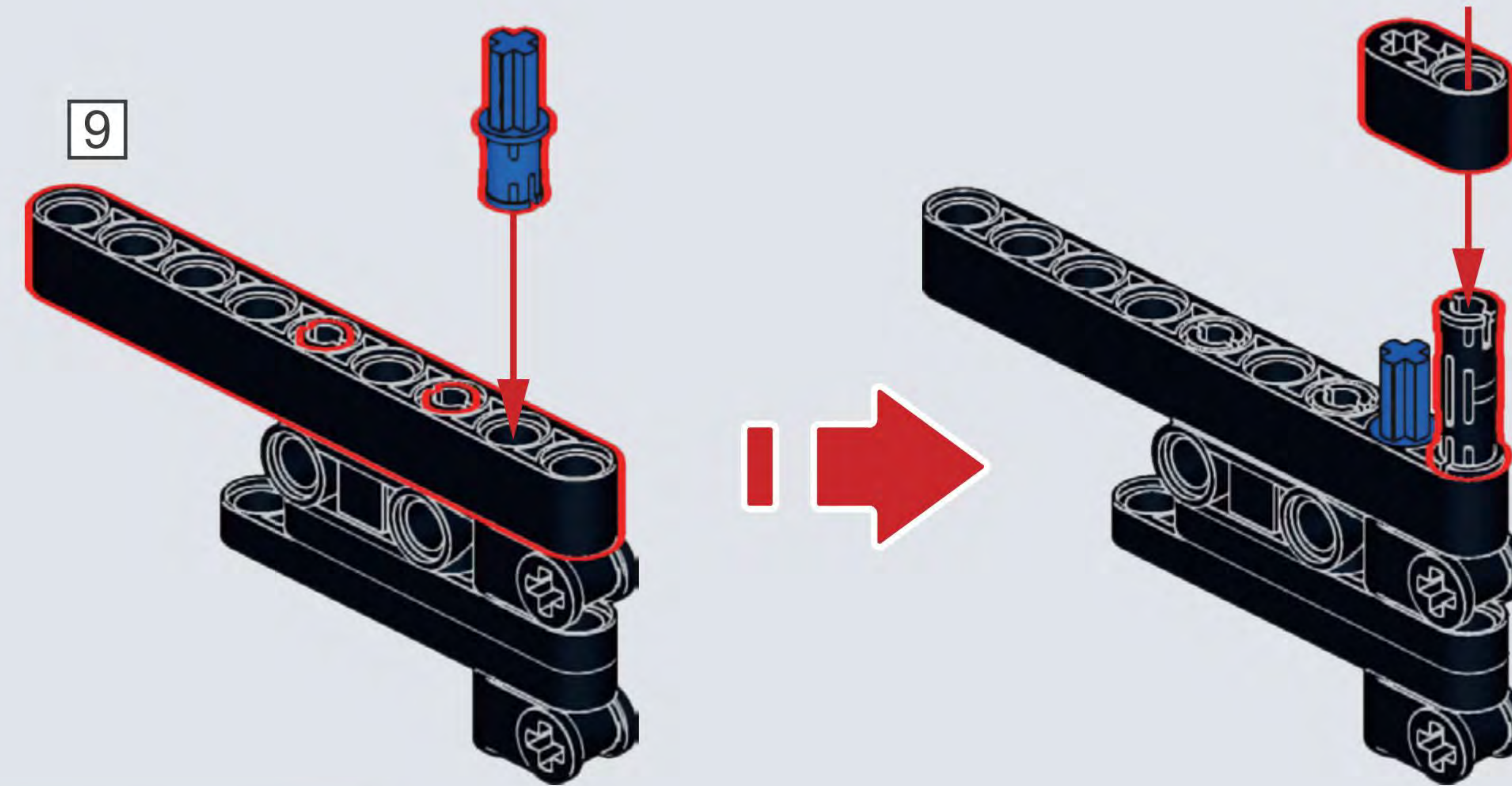




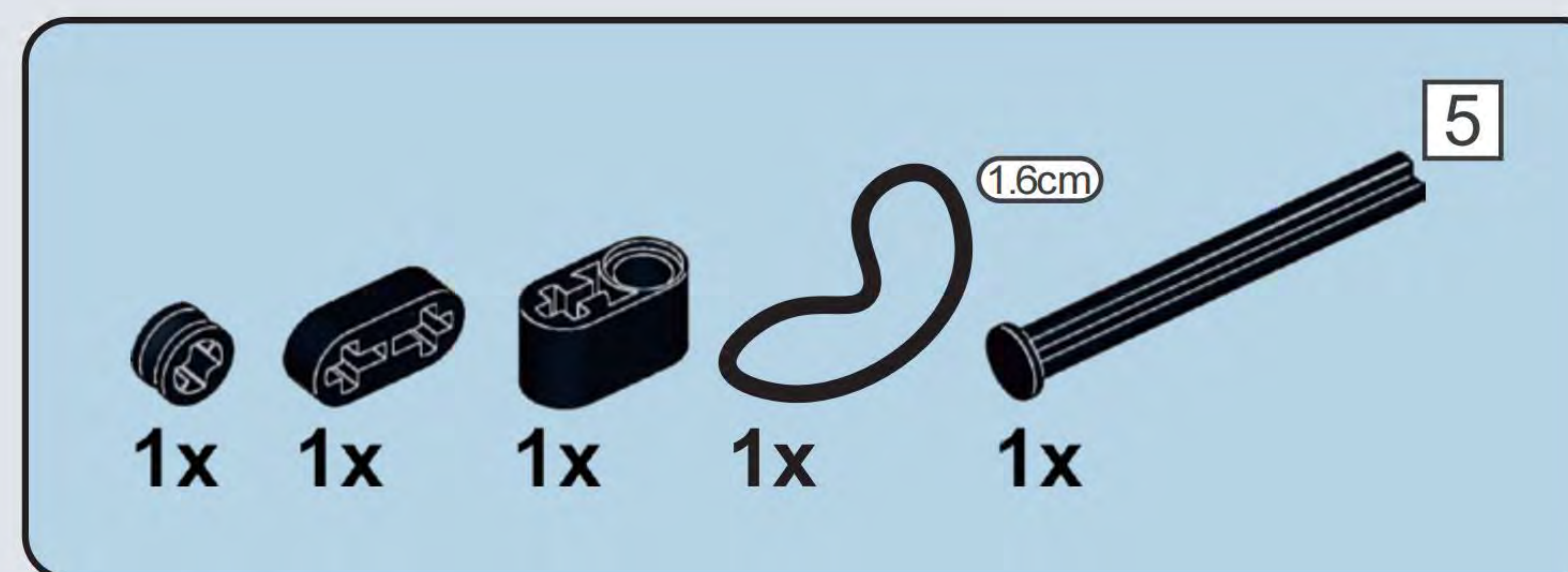
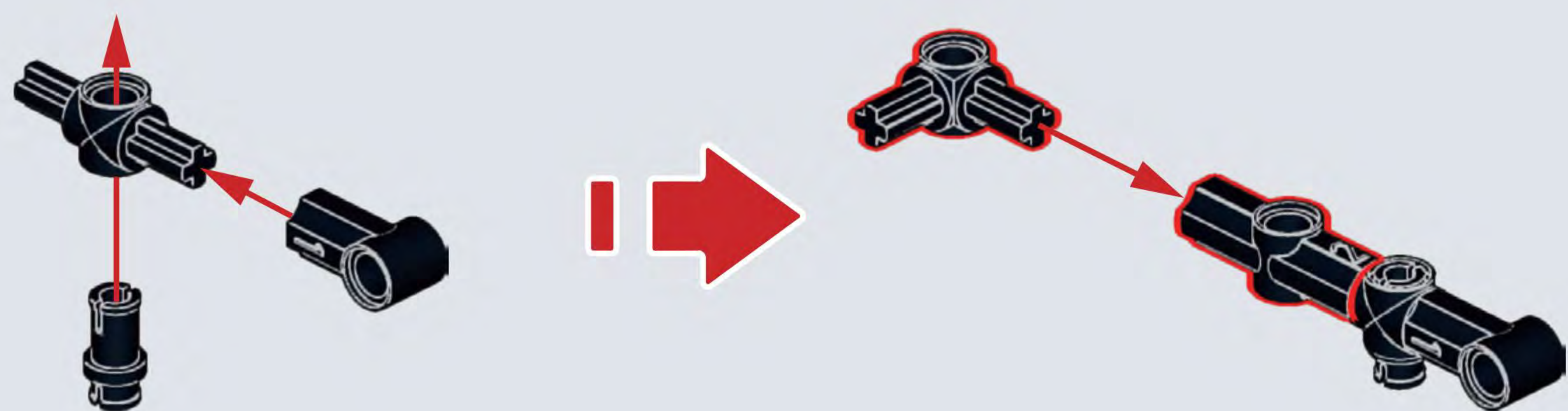
B26



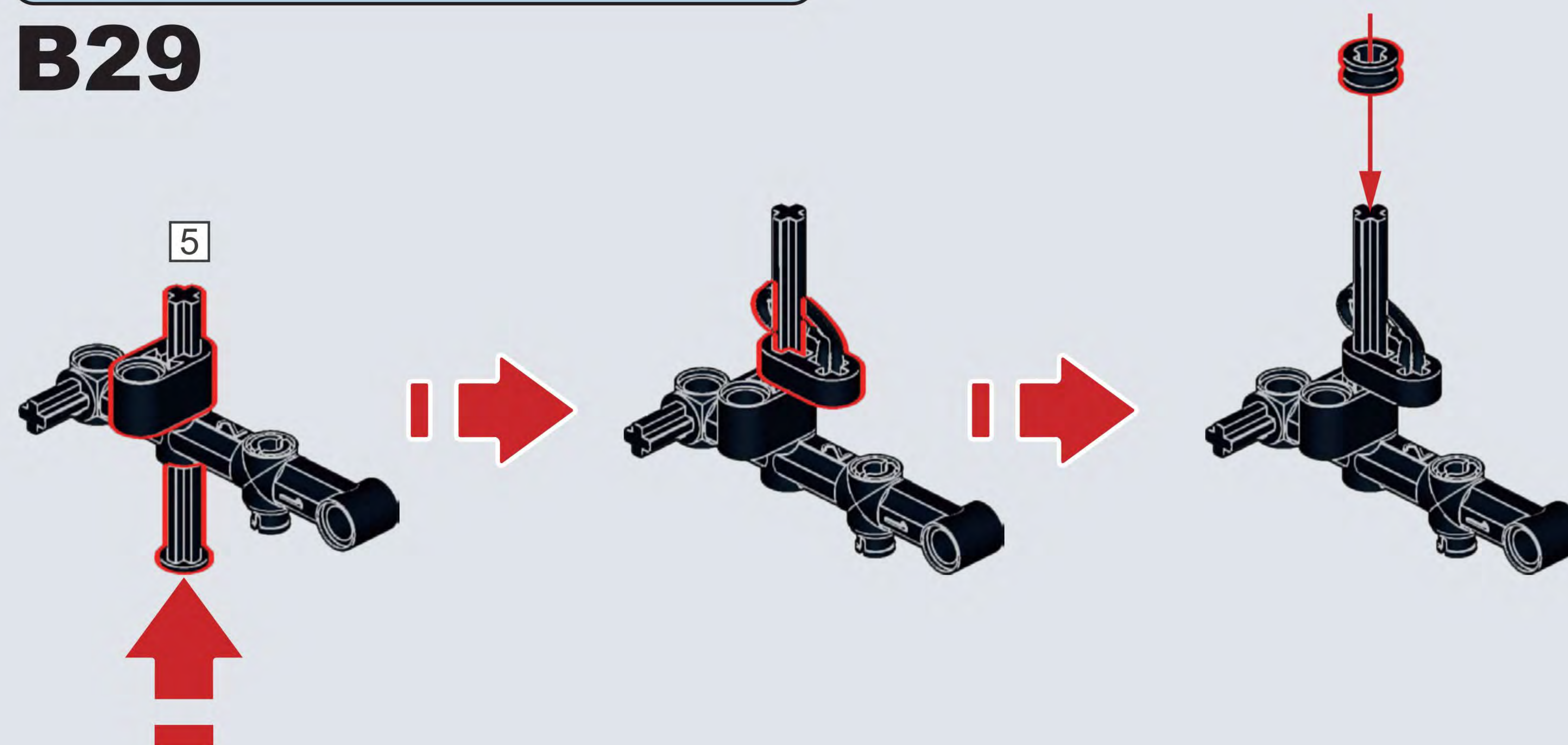
B27



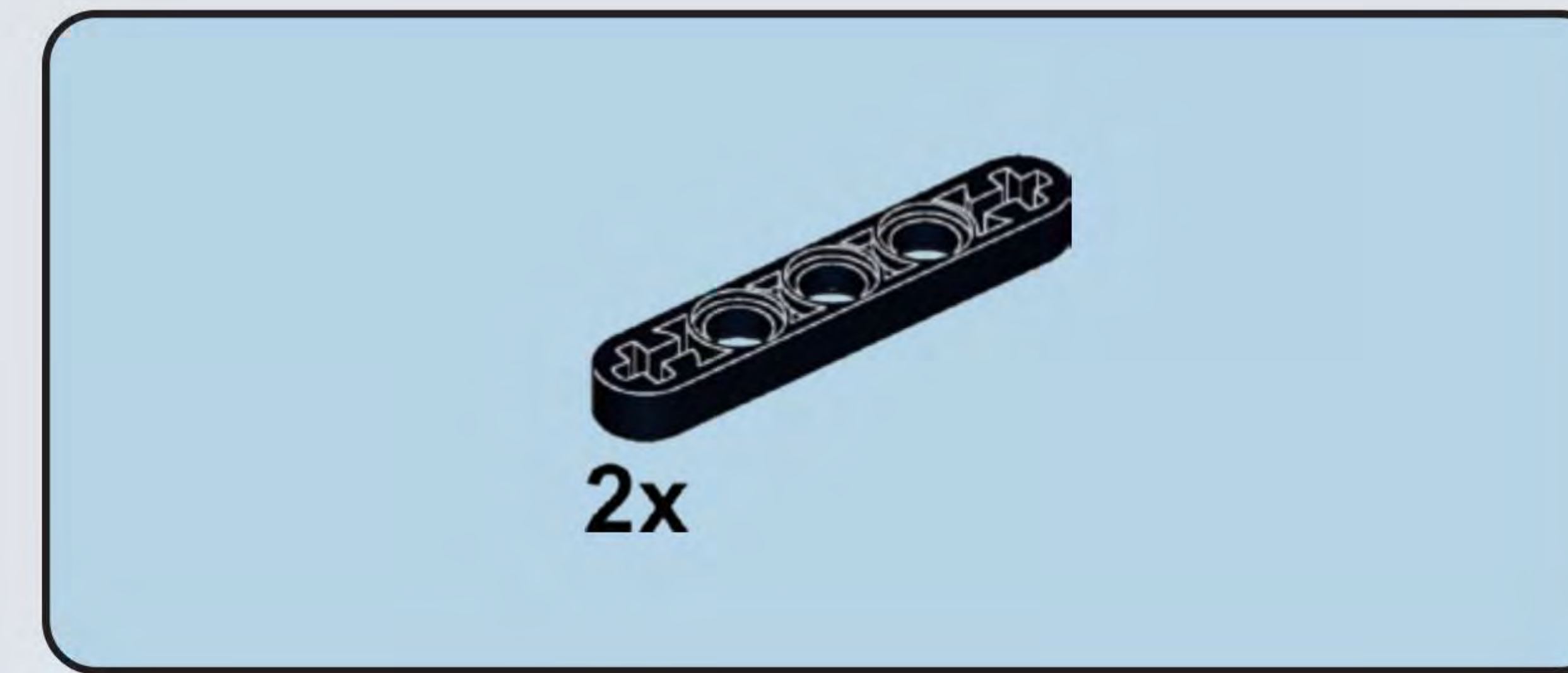
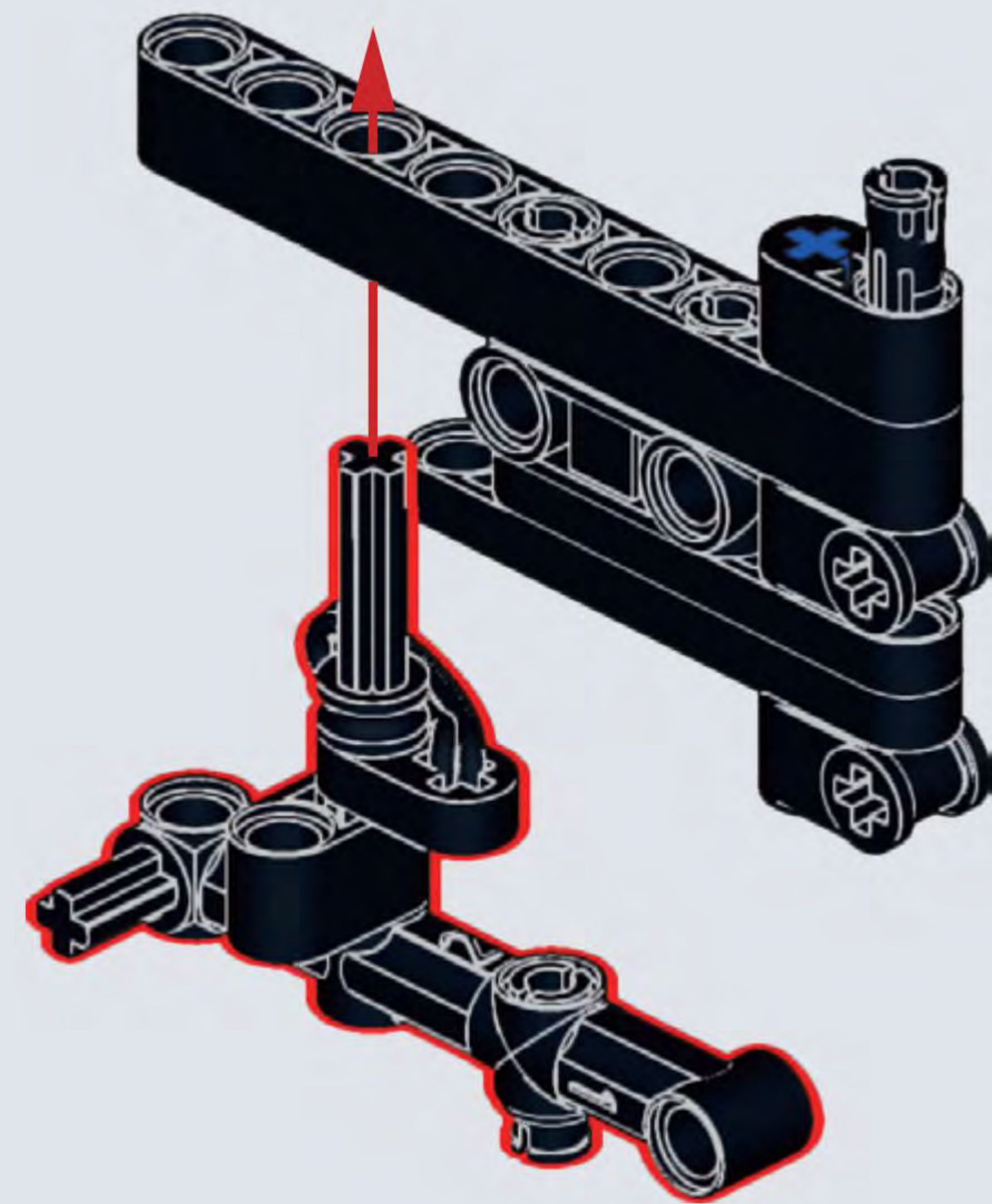
B28



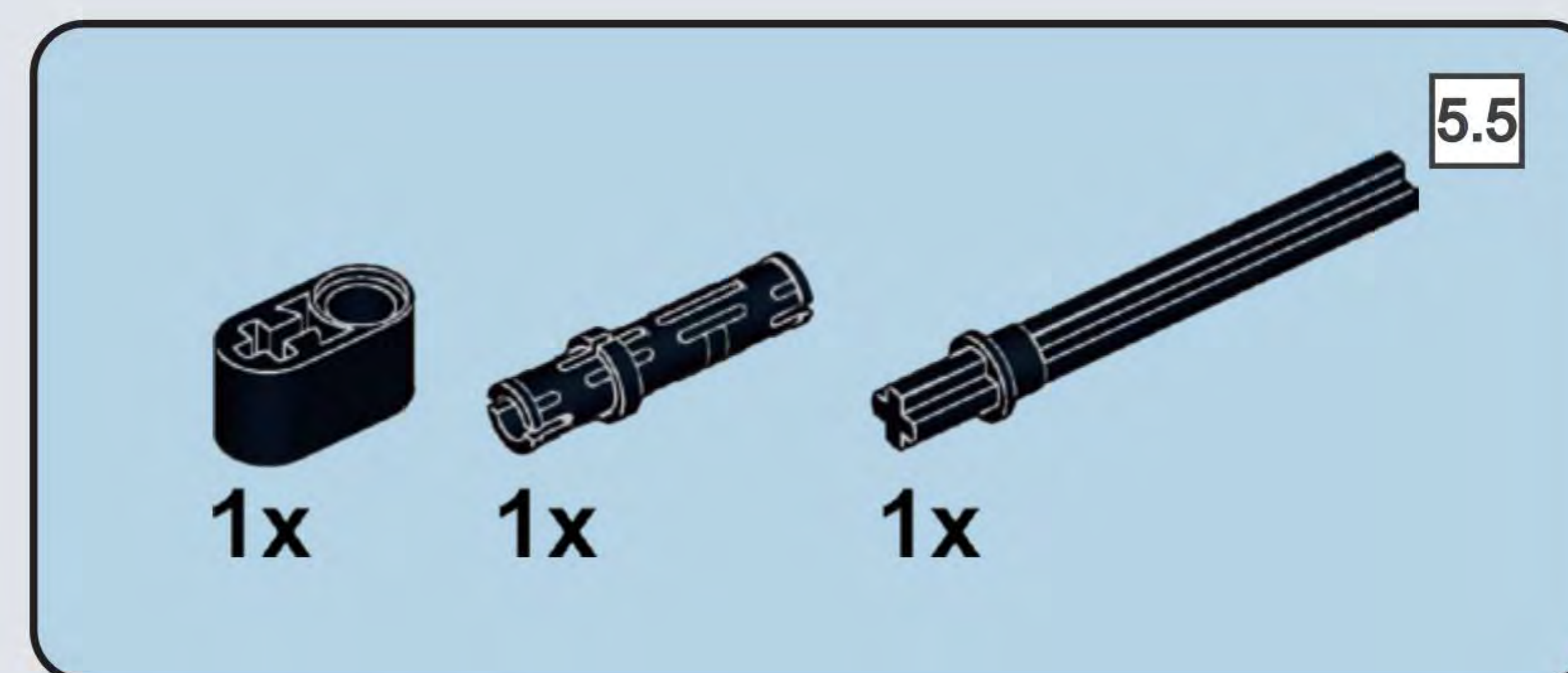
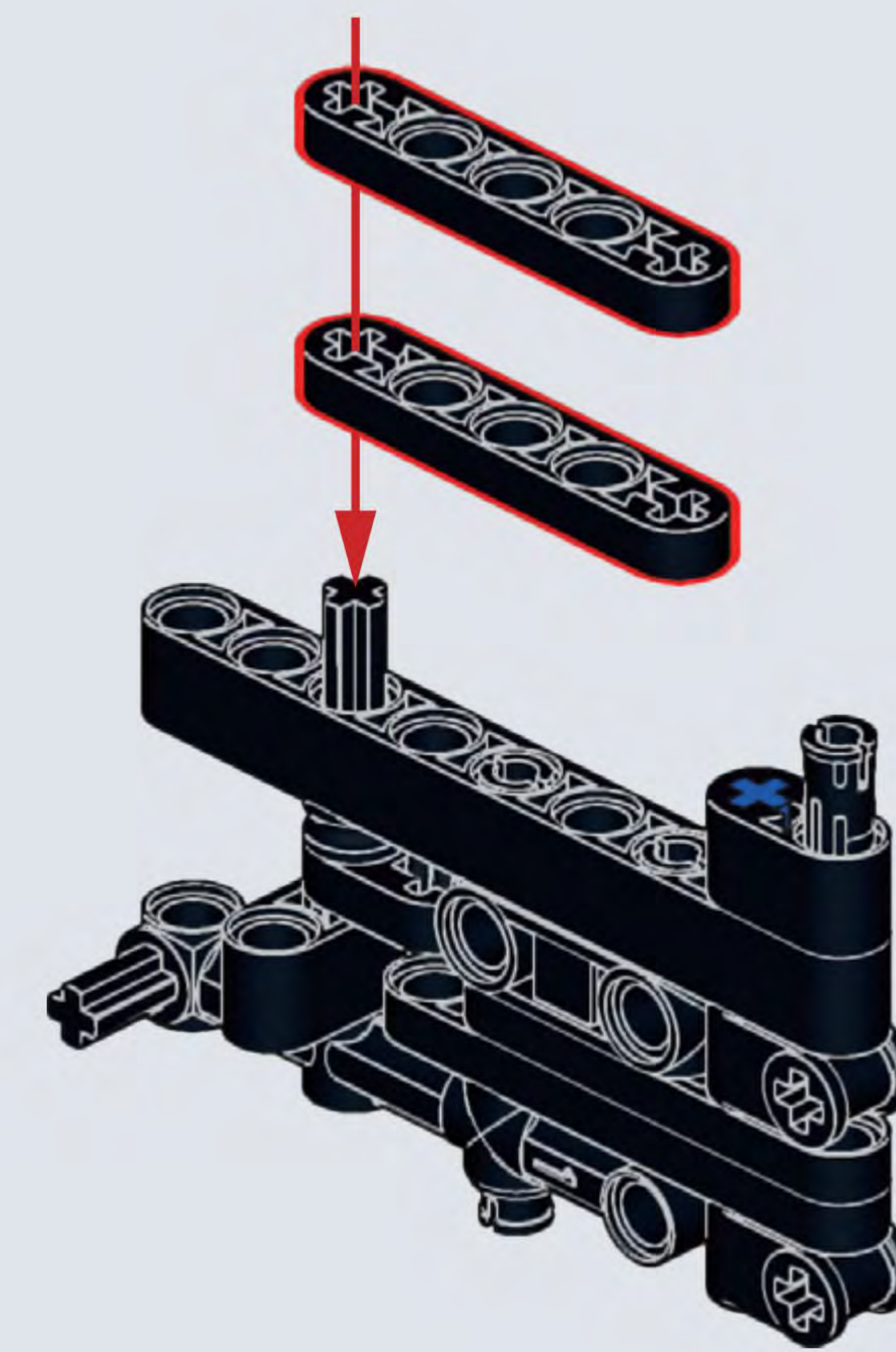
B29



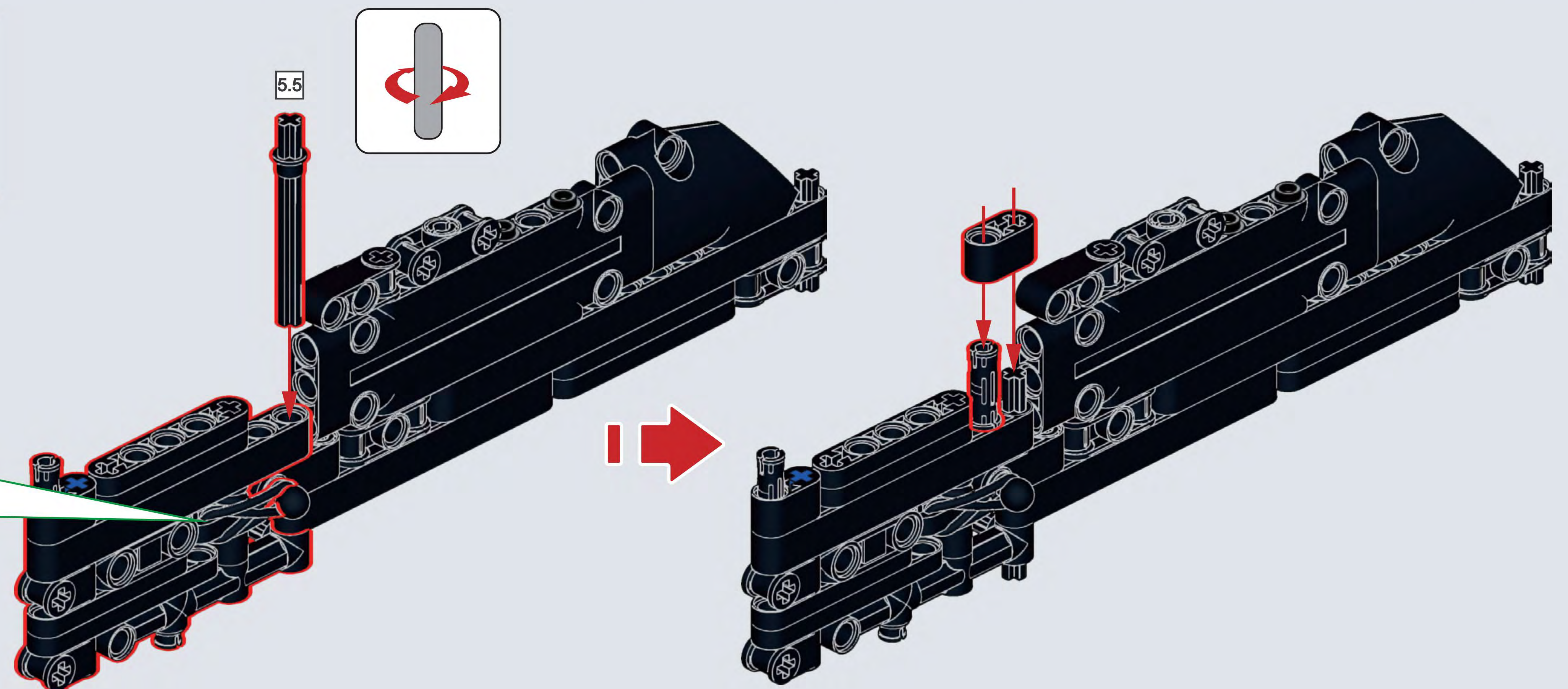
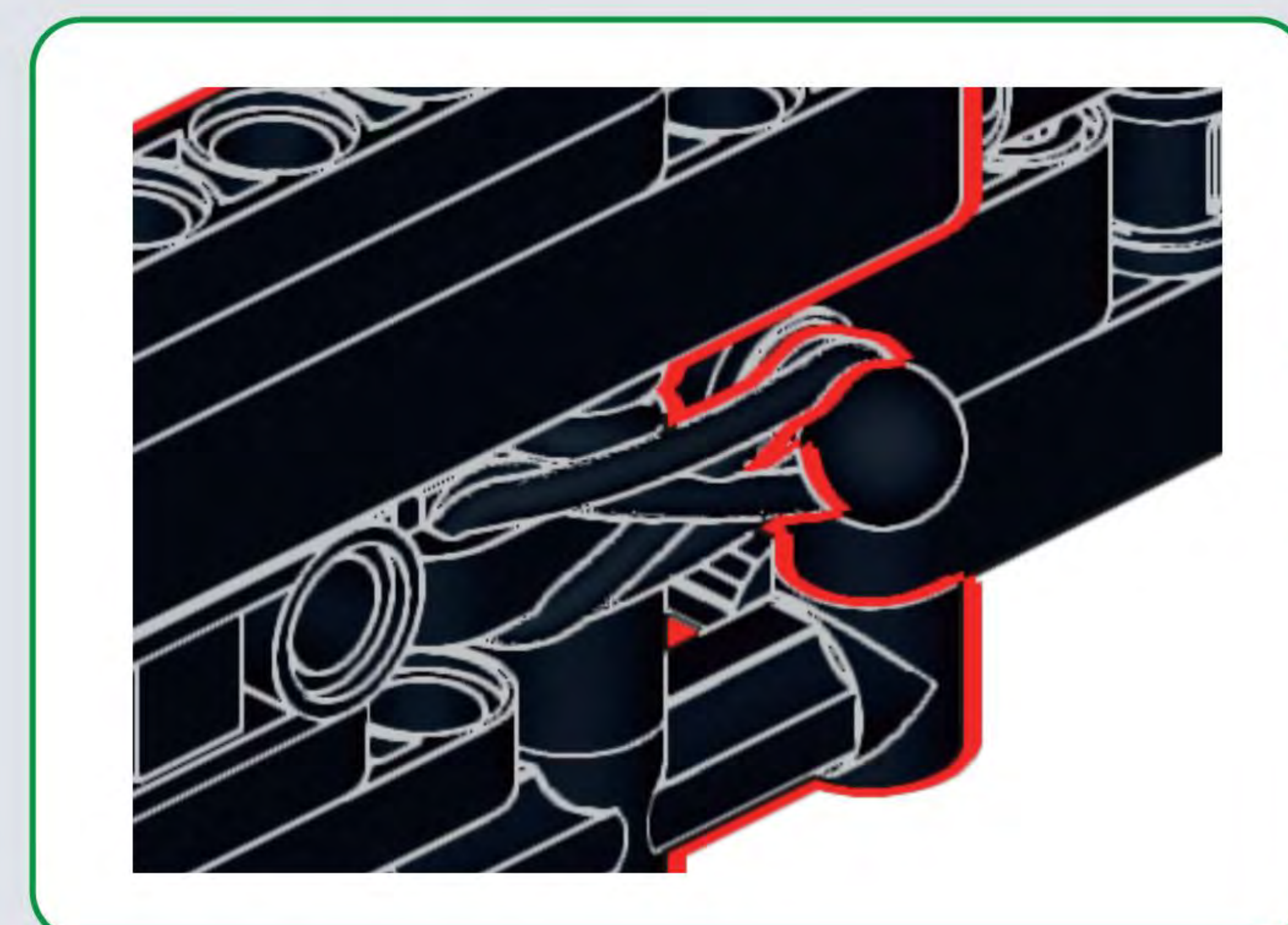
B30

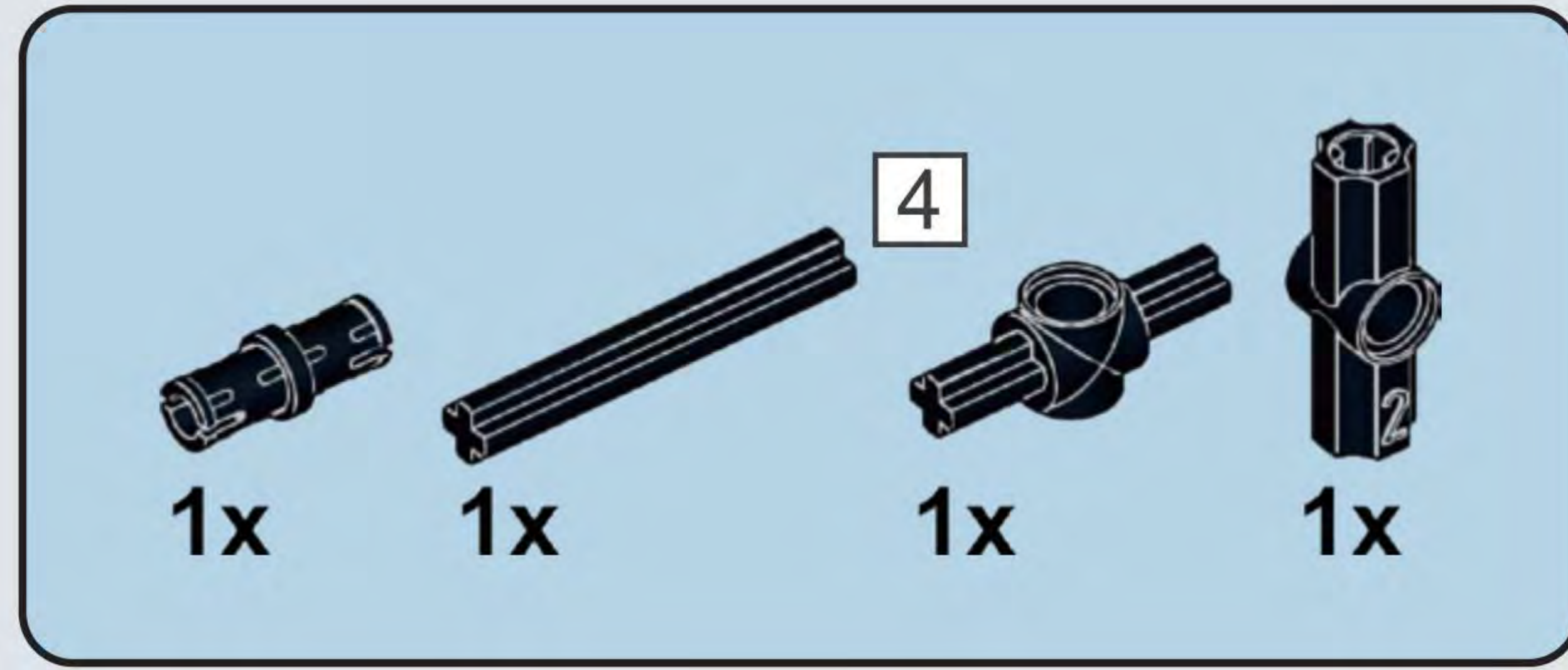


B31

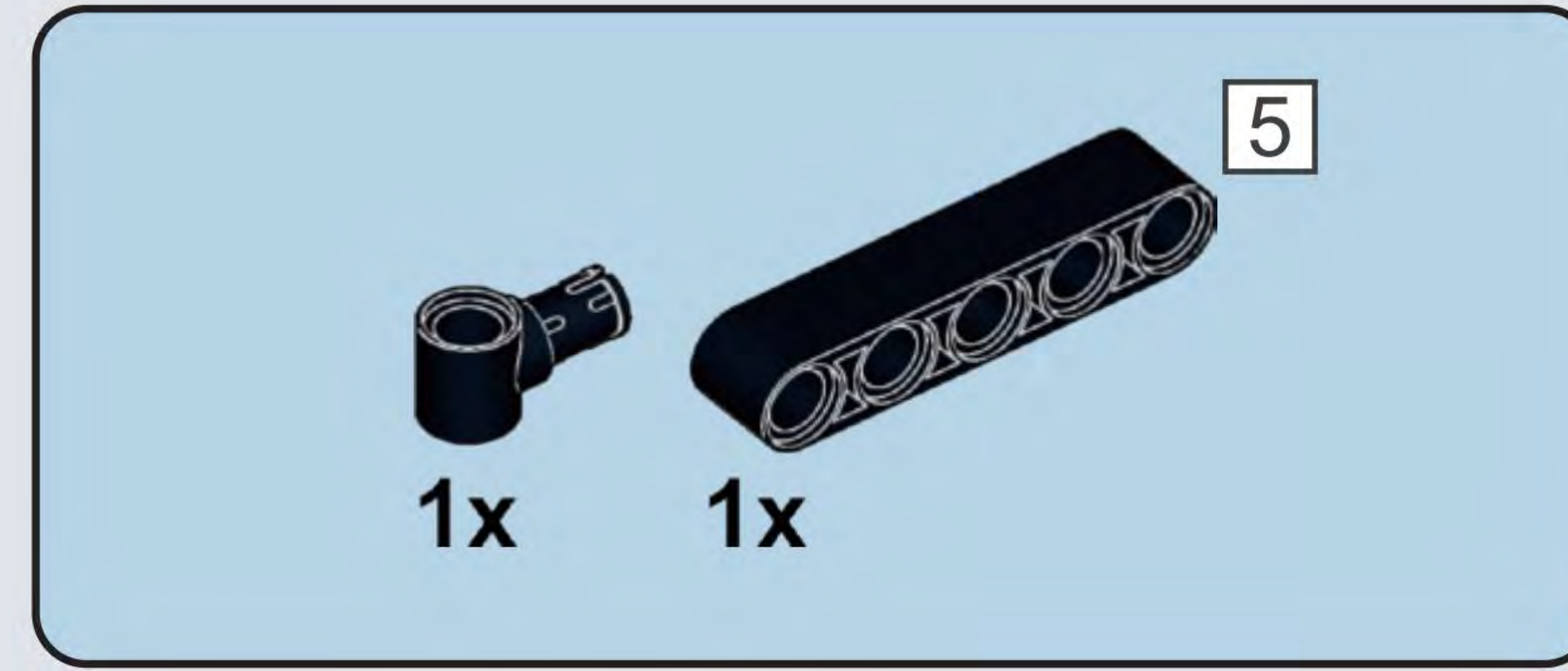
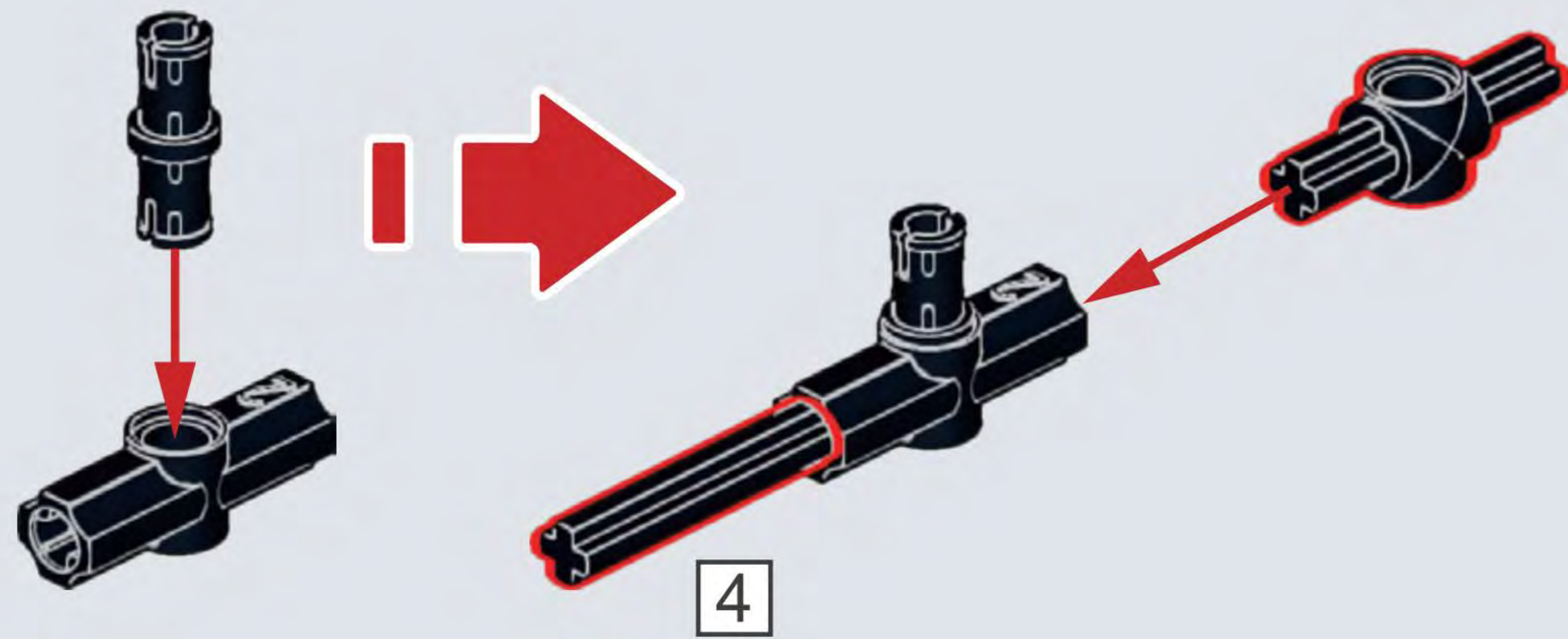


B32

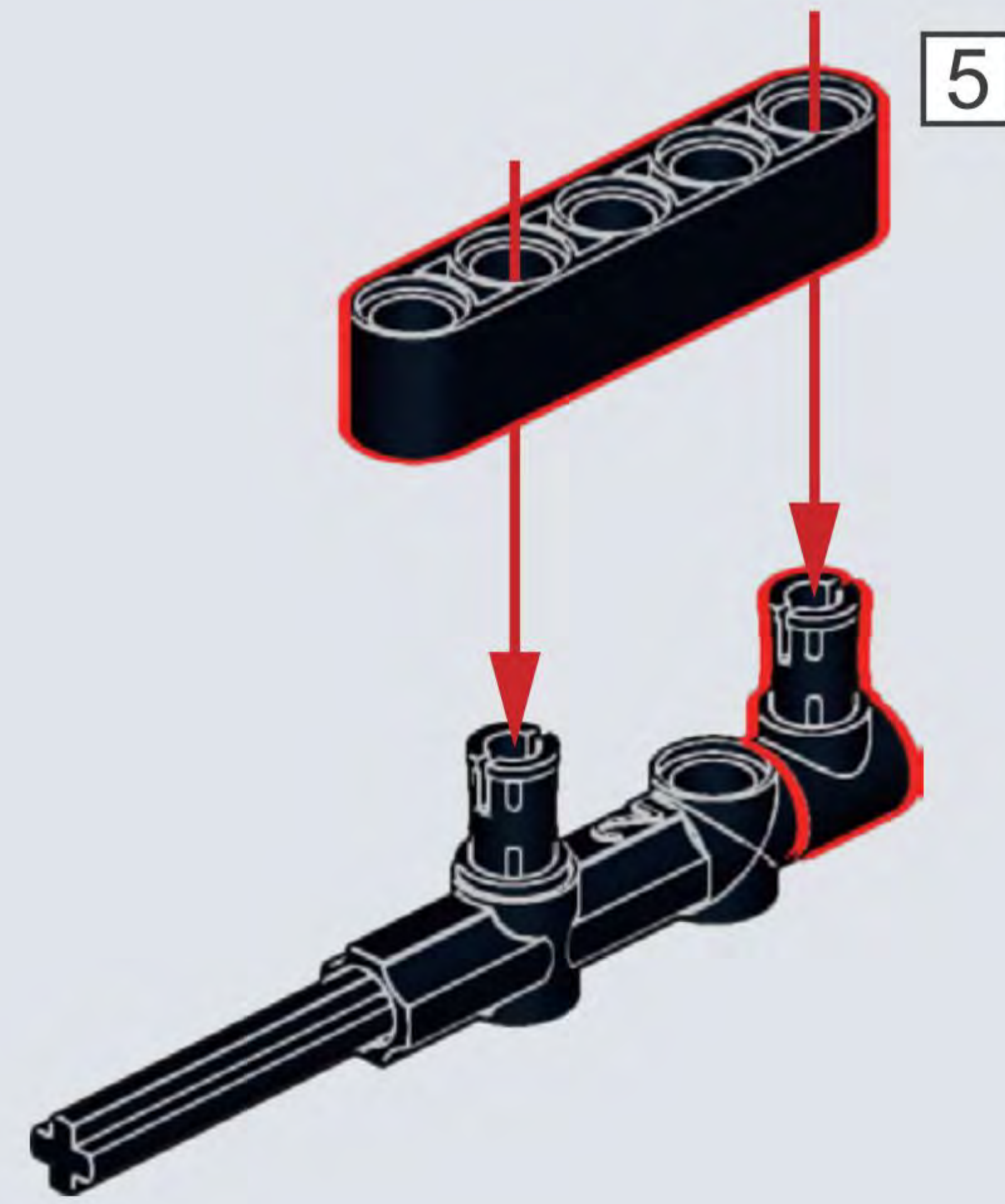




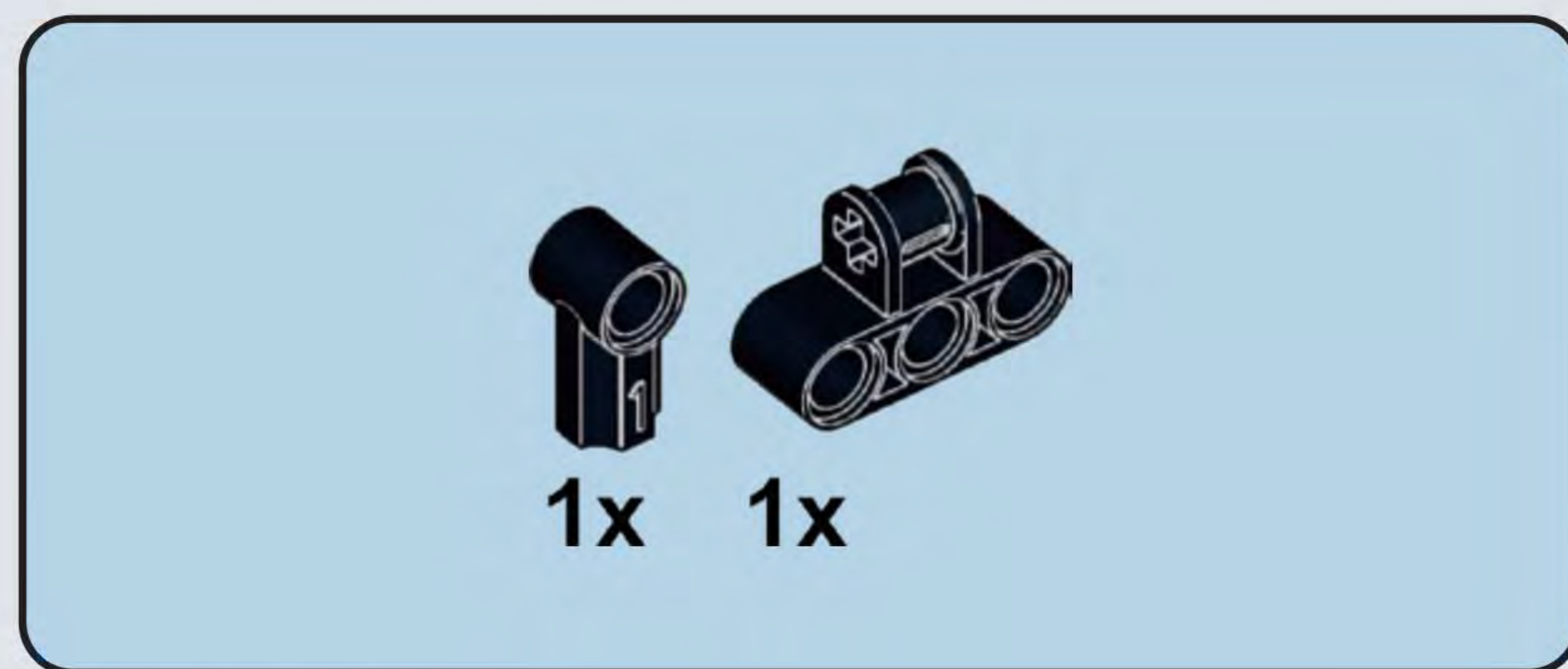
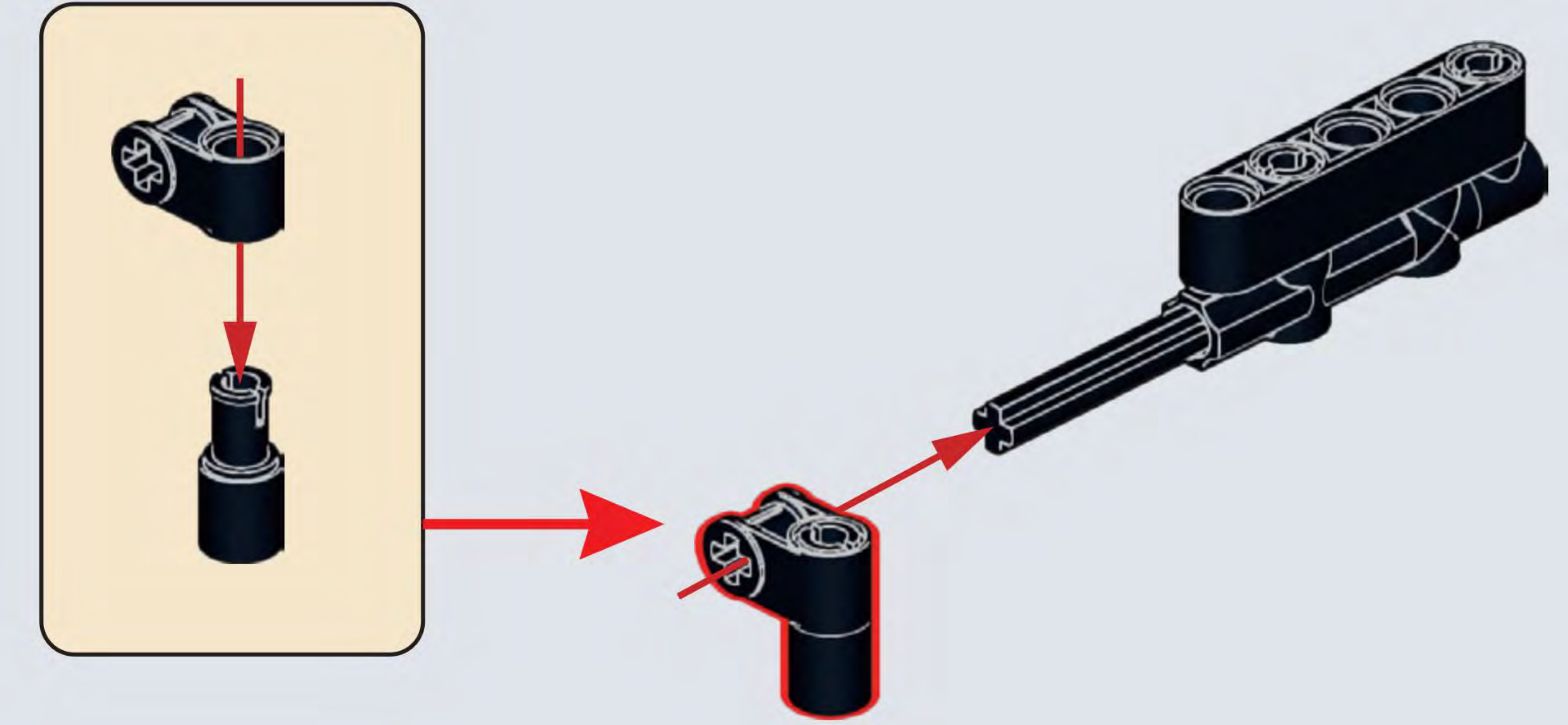
B33



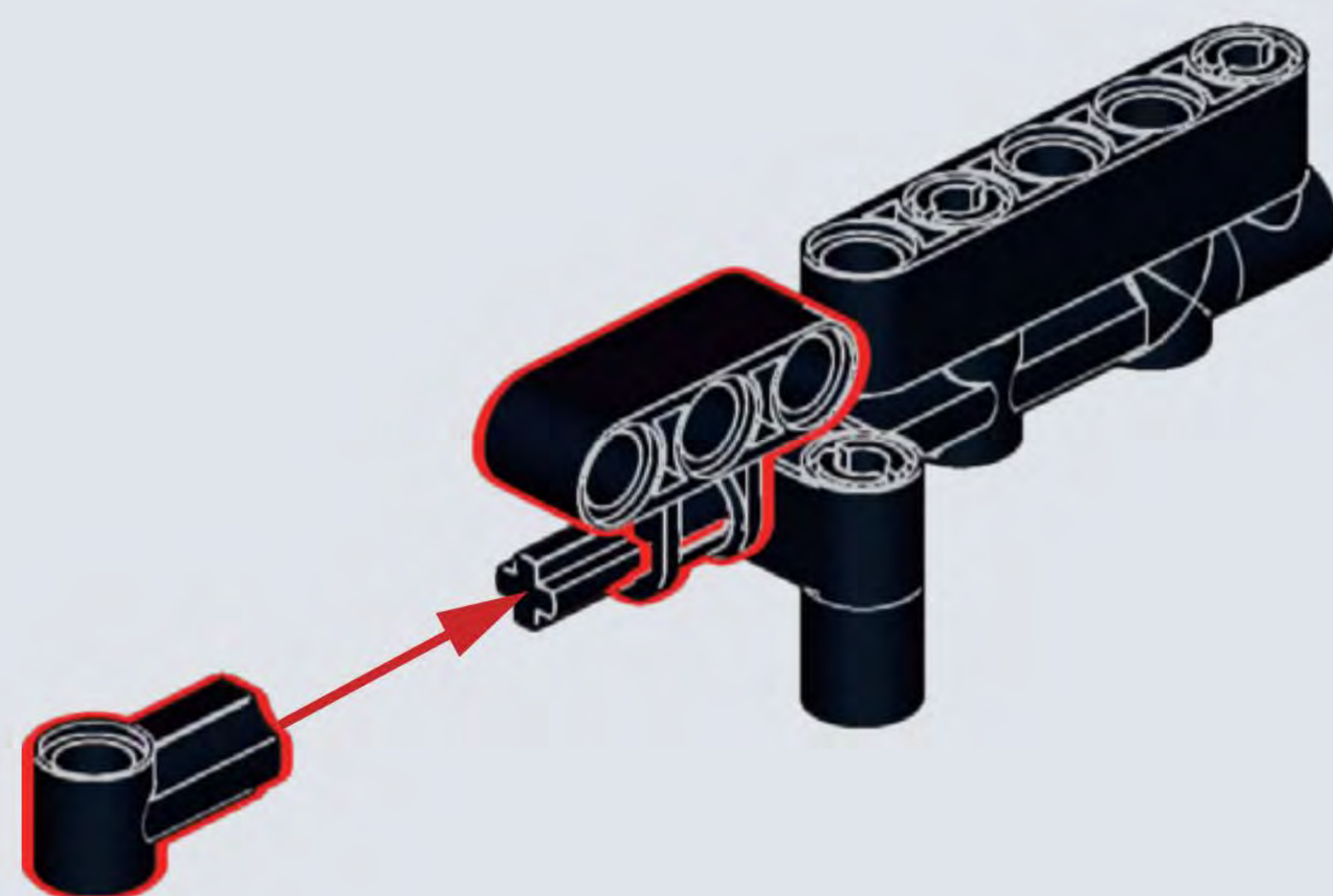
B34



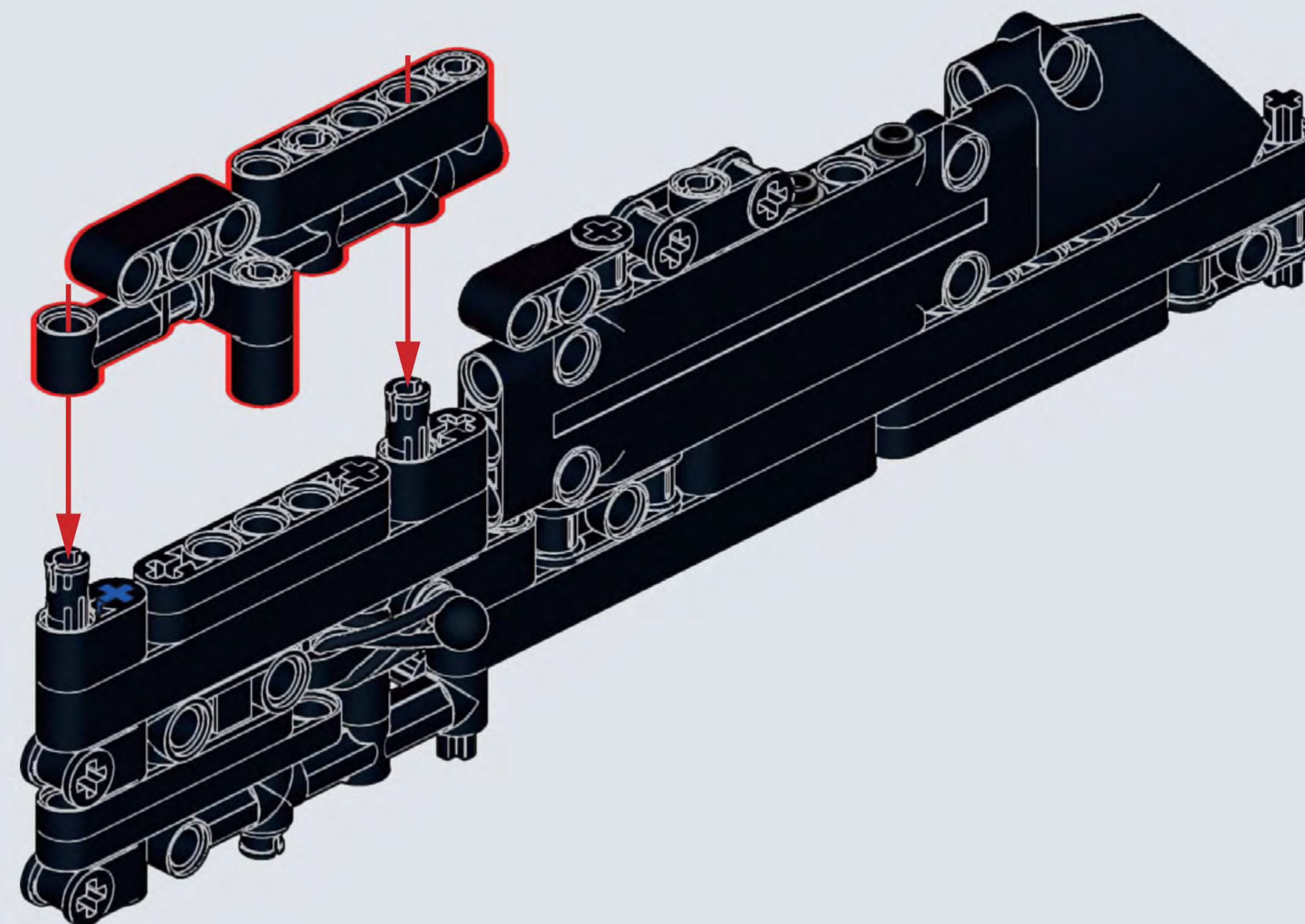
B35



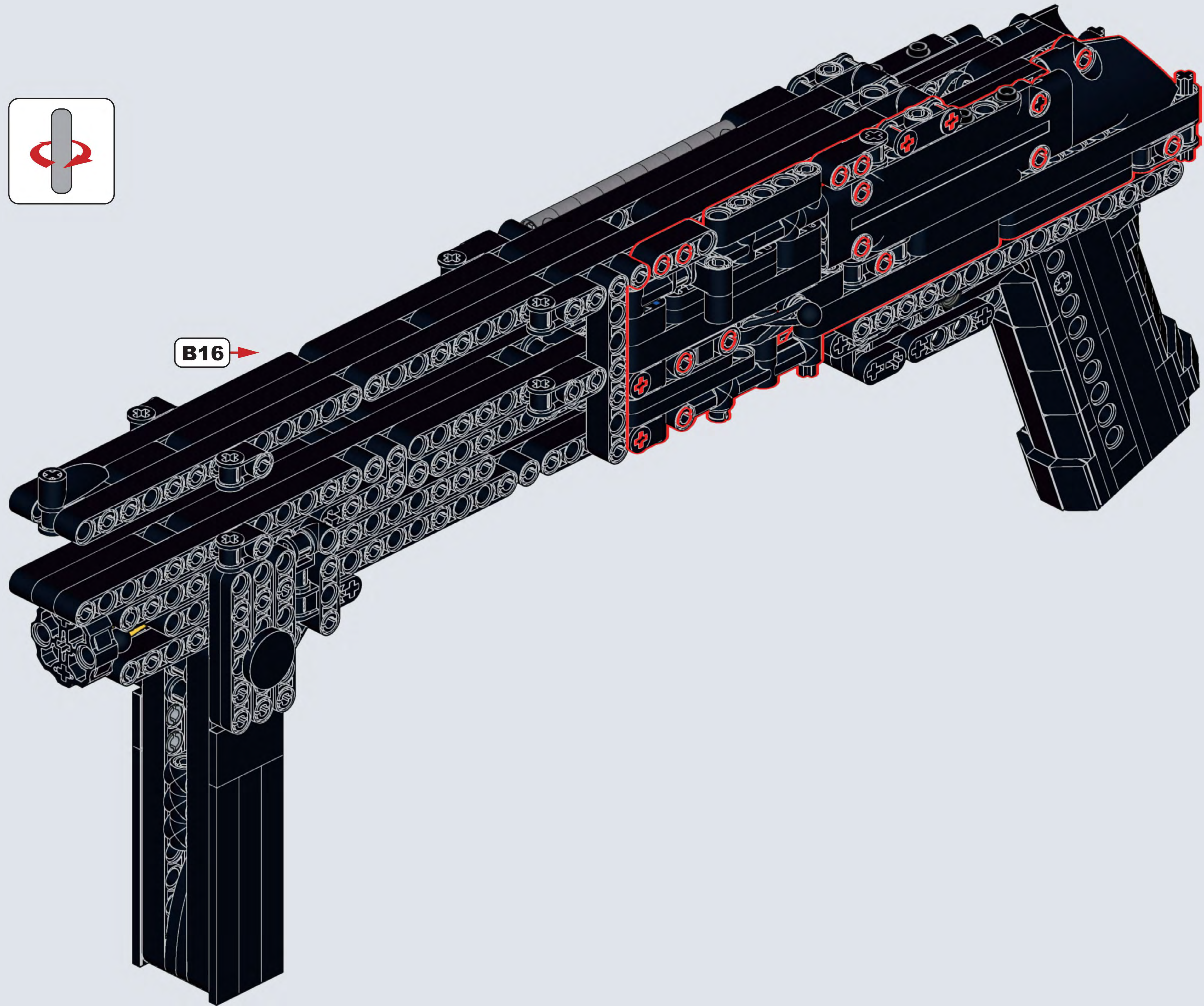
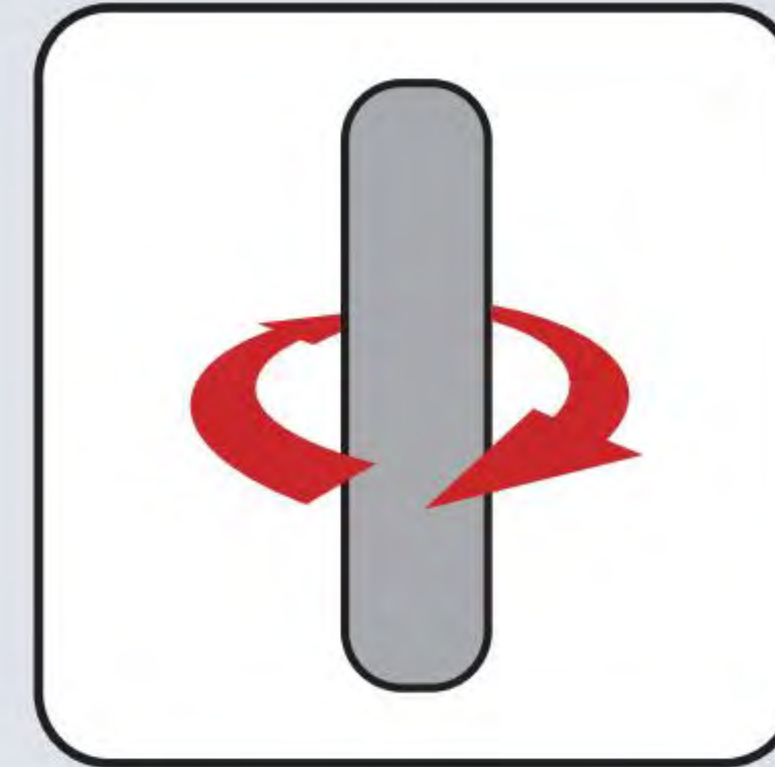
B36

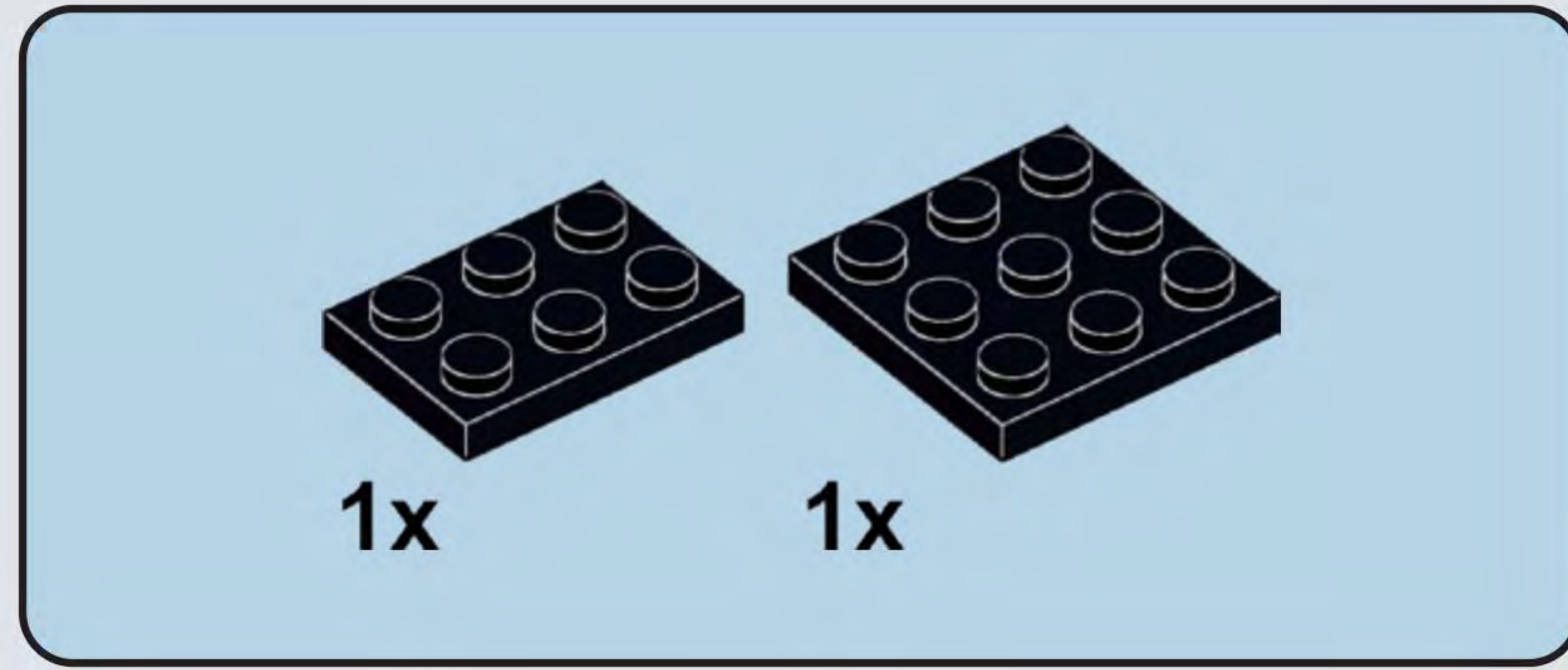


B37

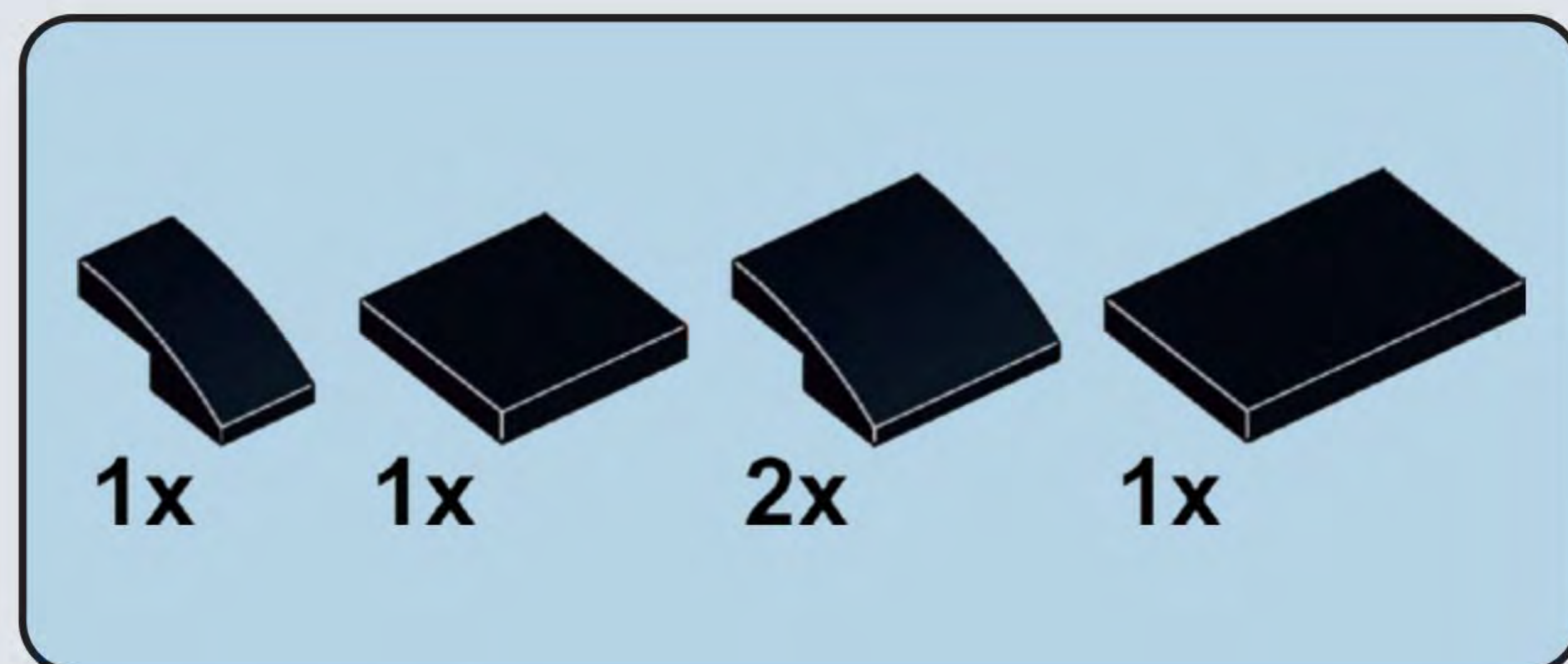
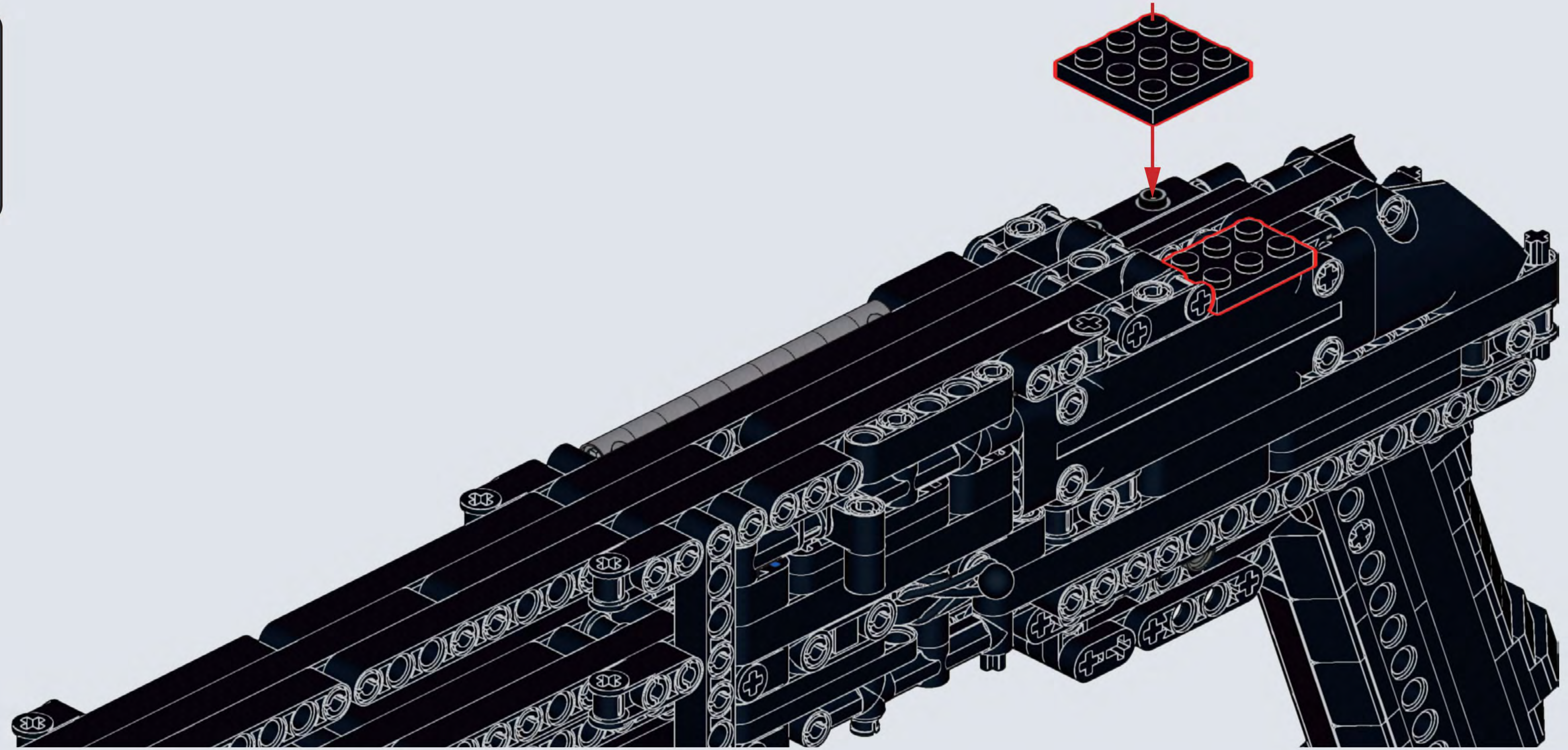


B38

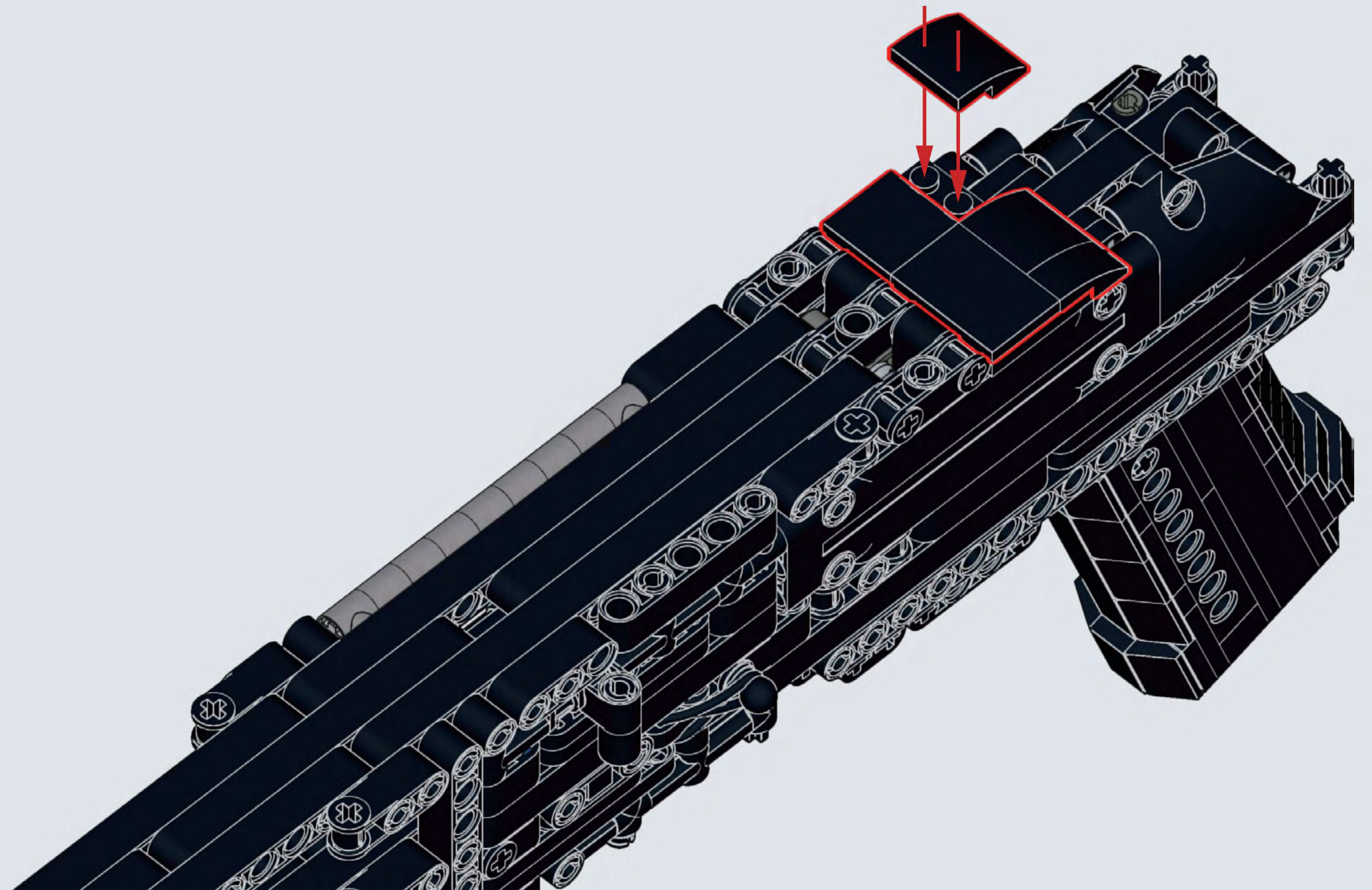


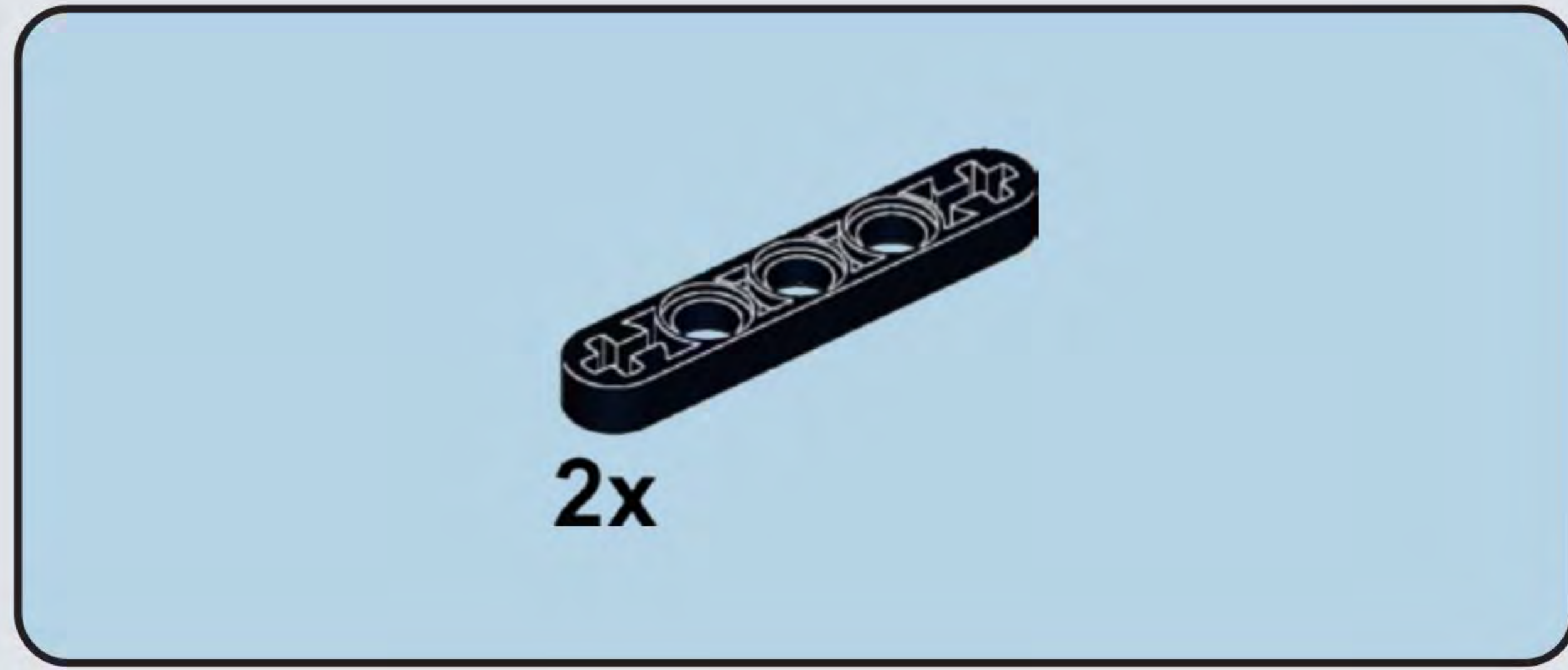


B39

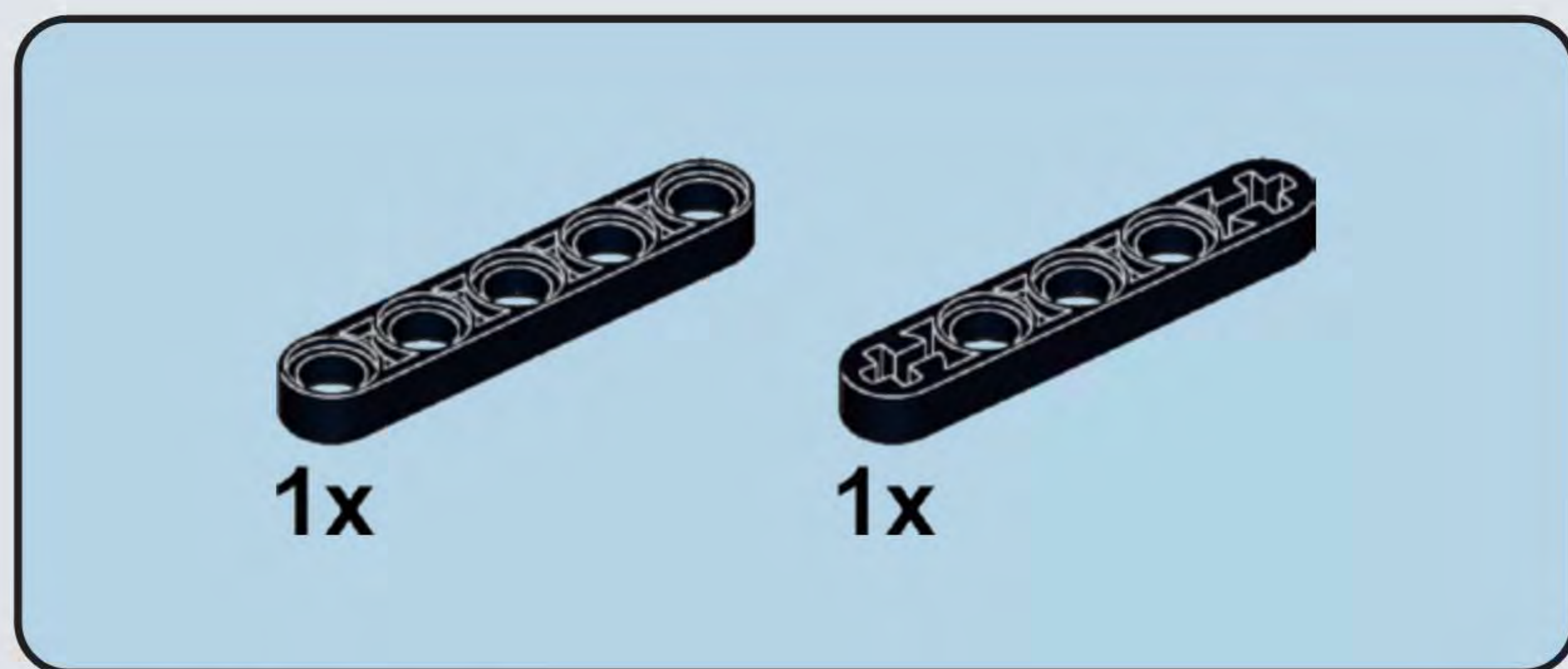
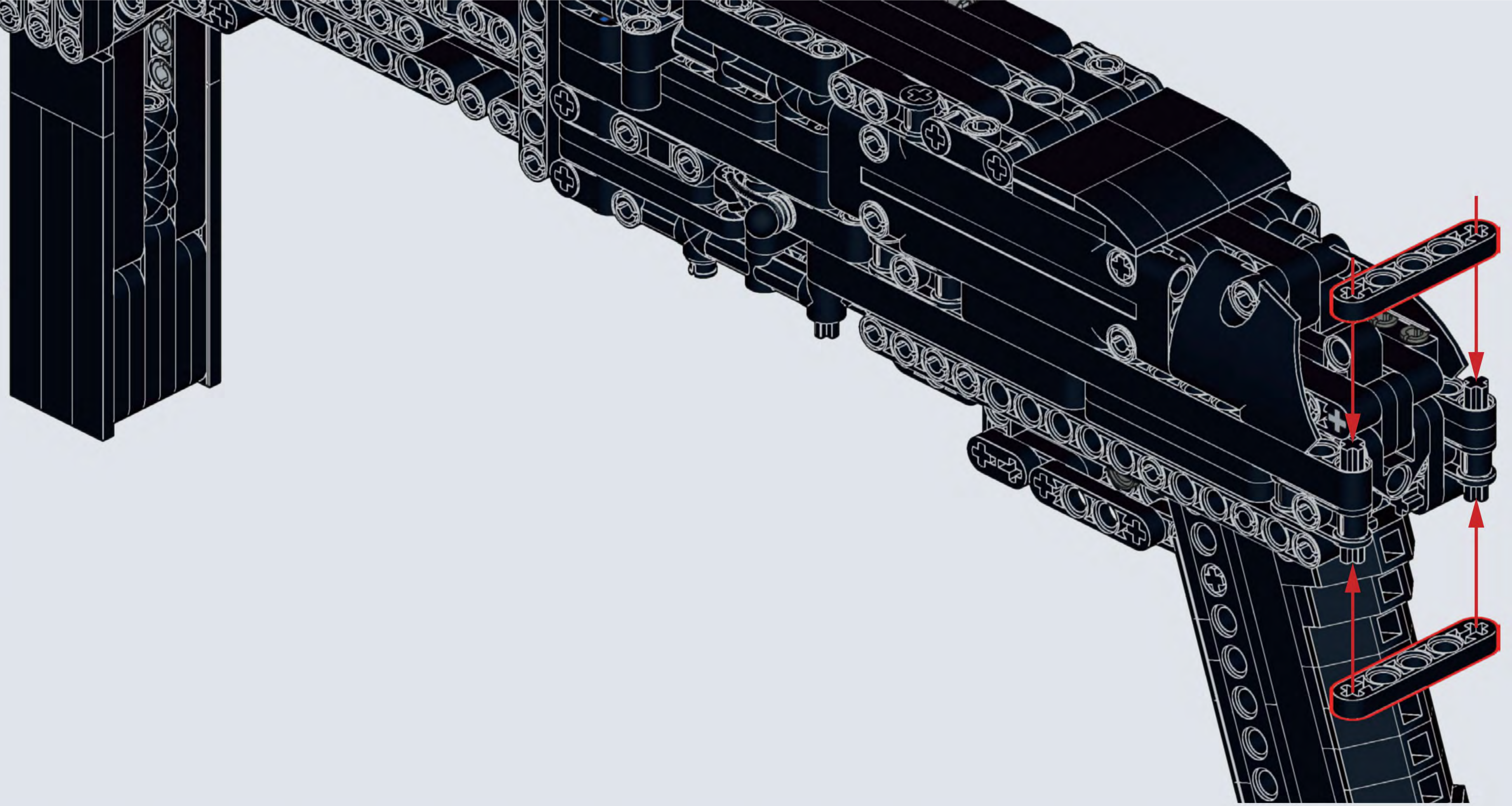
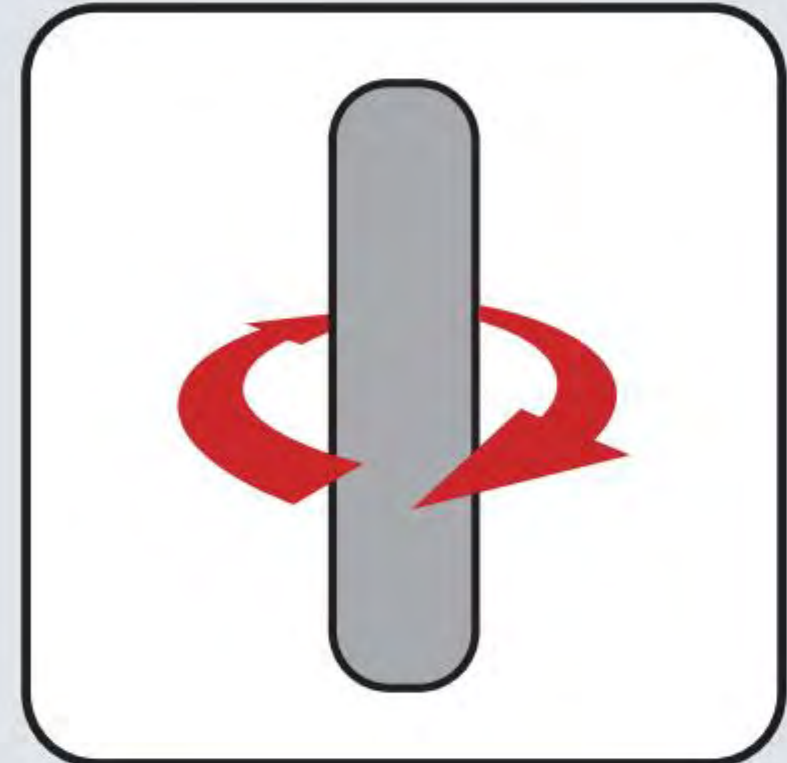


B40

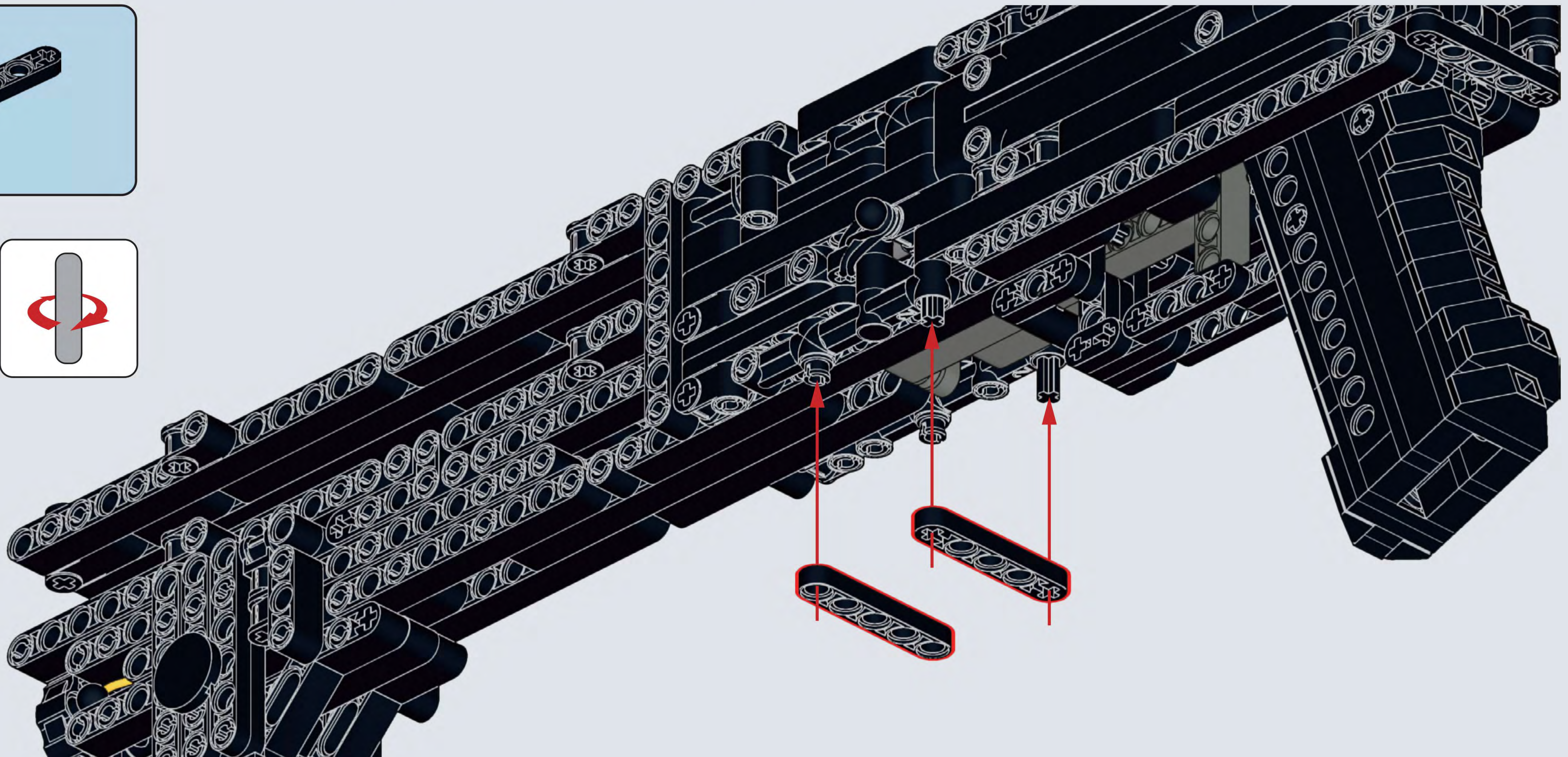
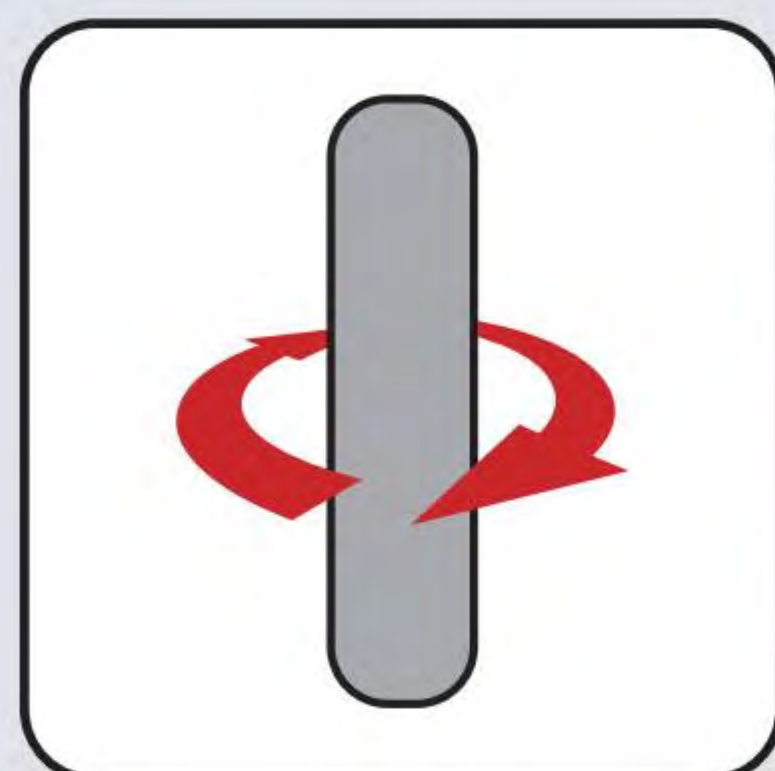




B41

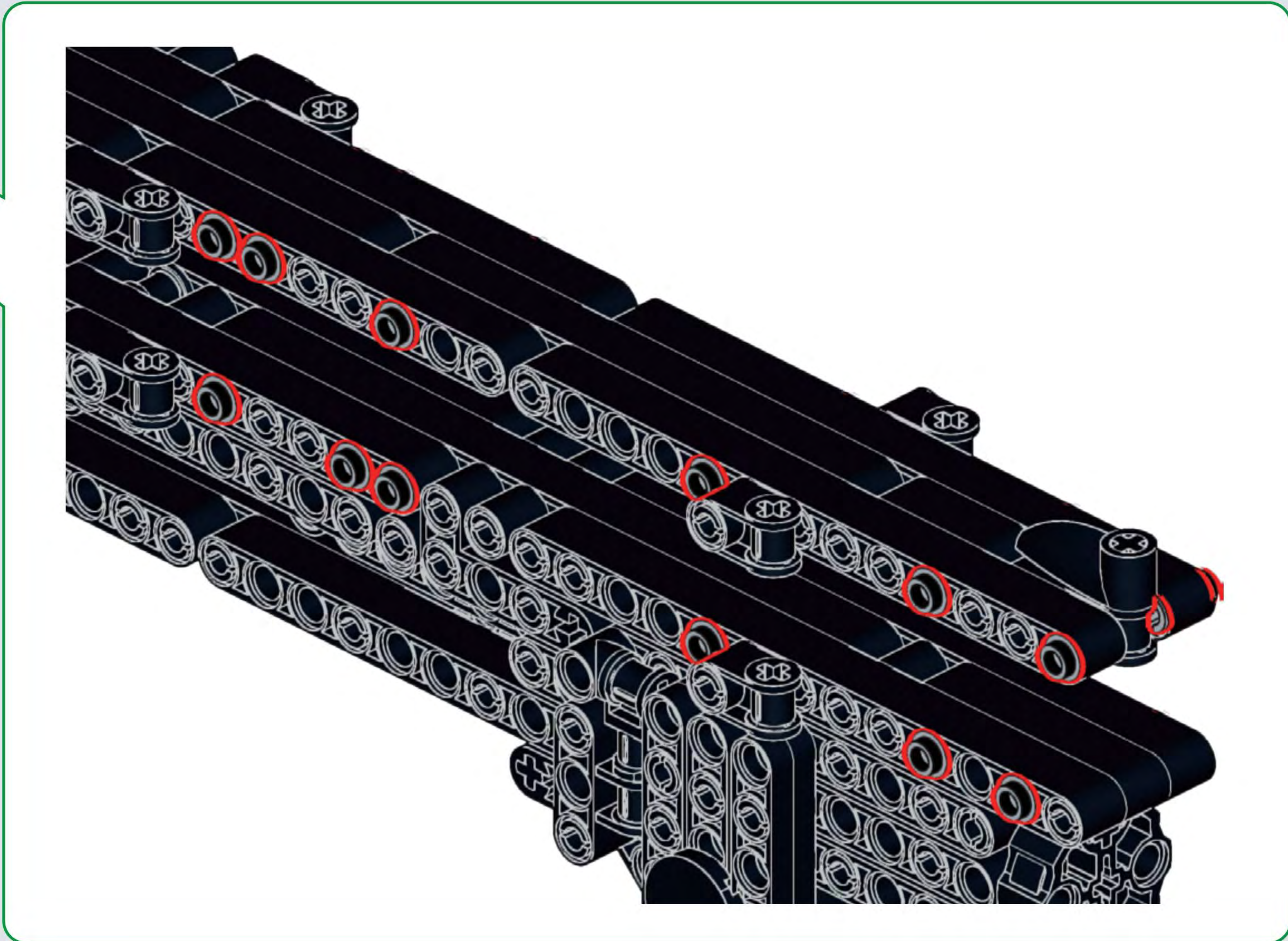
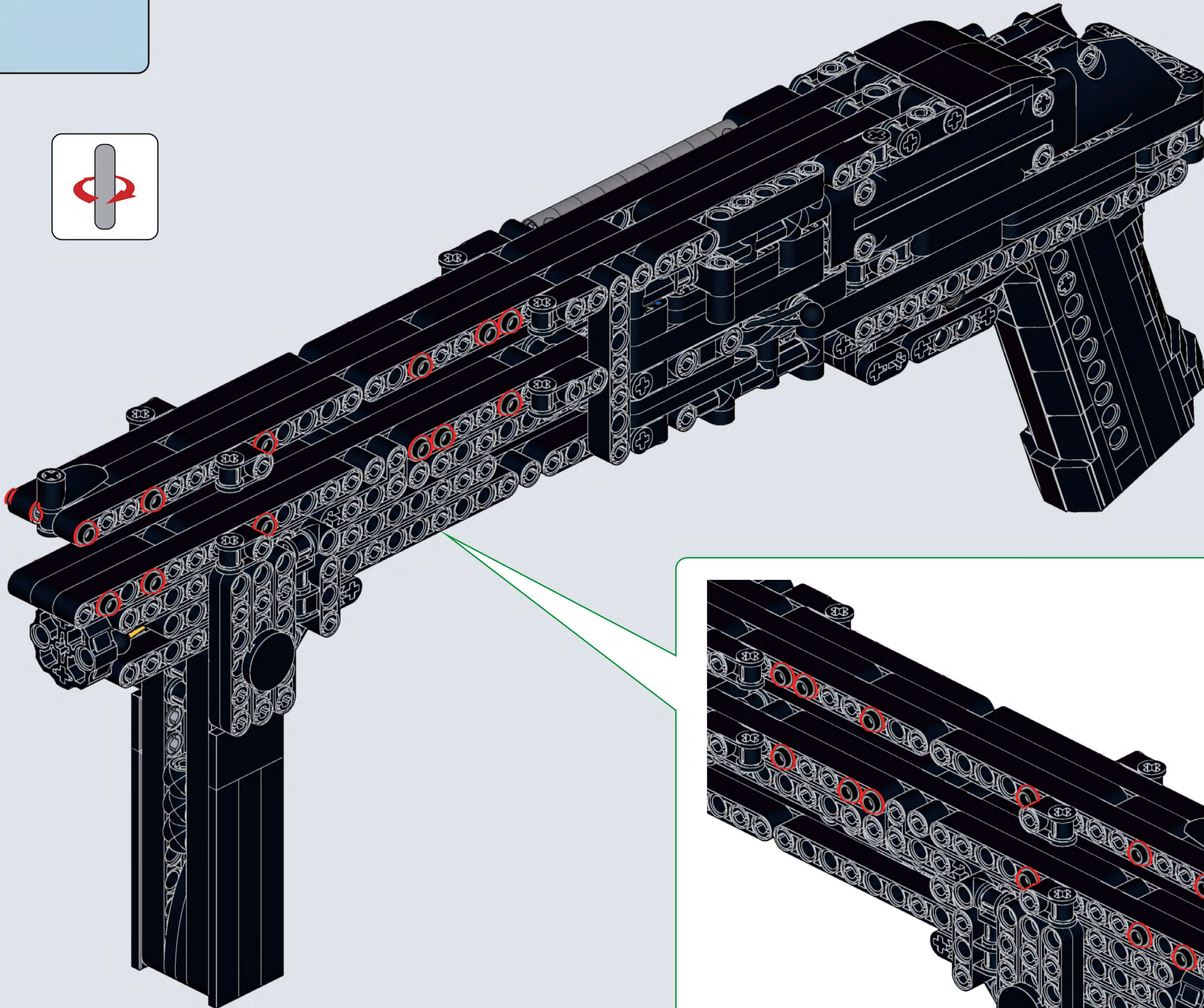
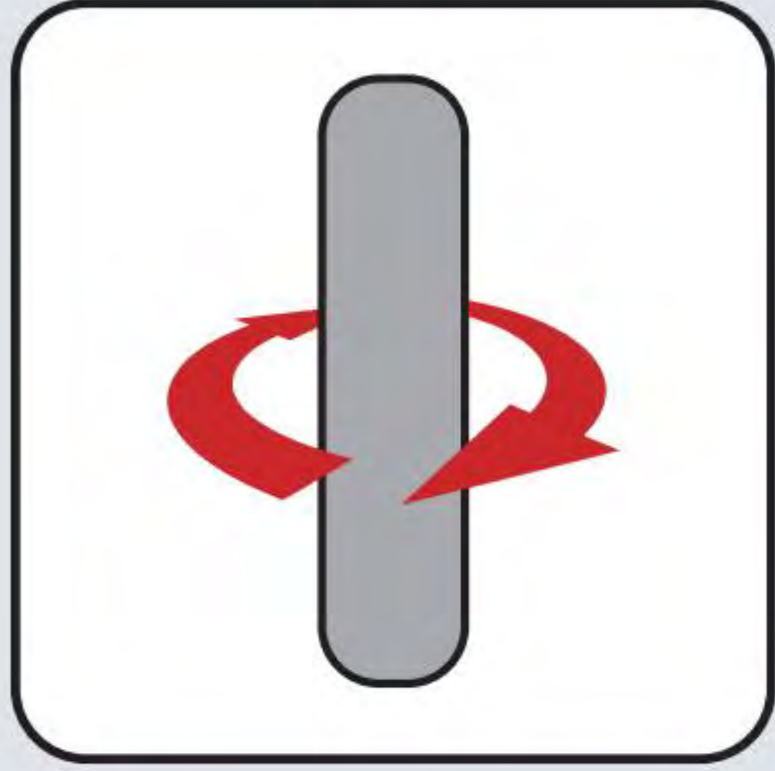


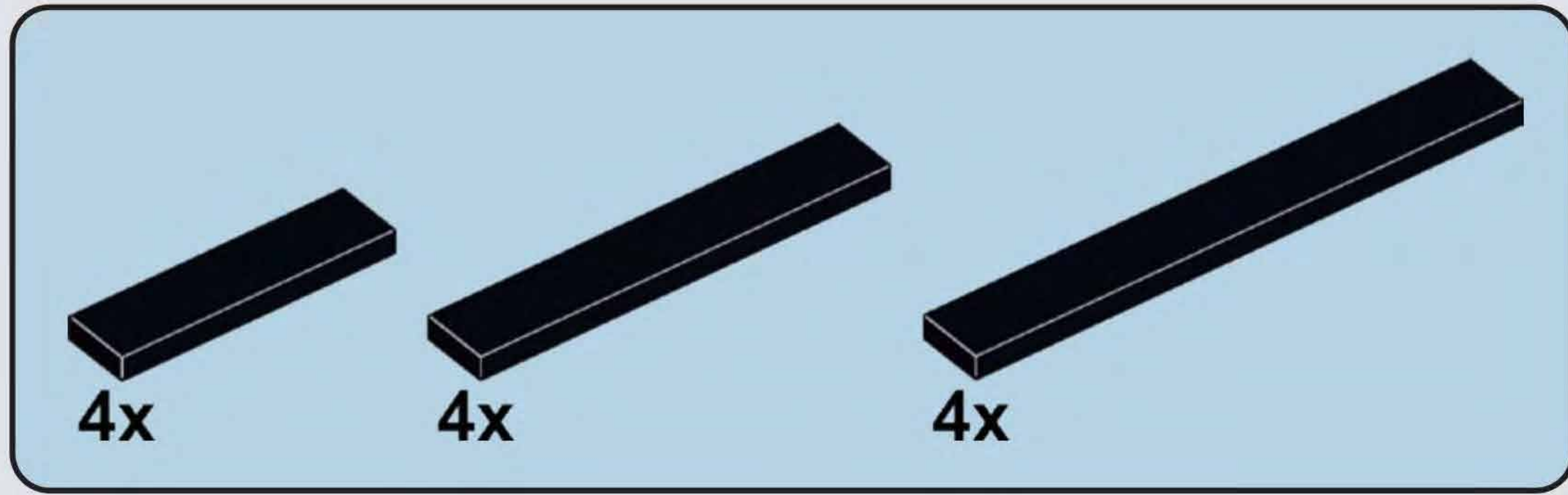
B42



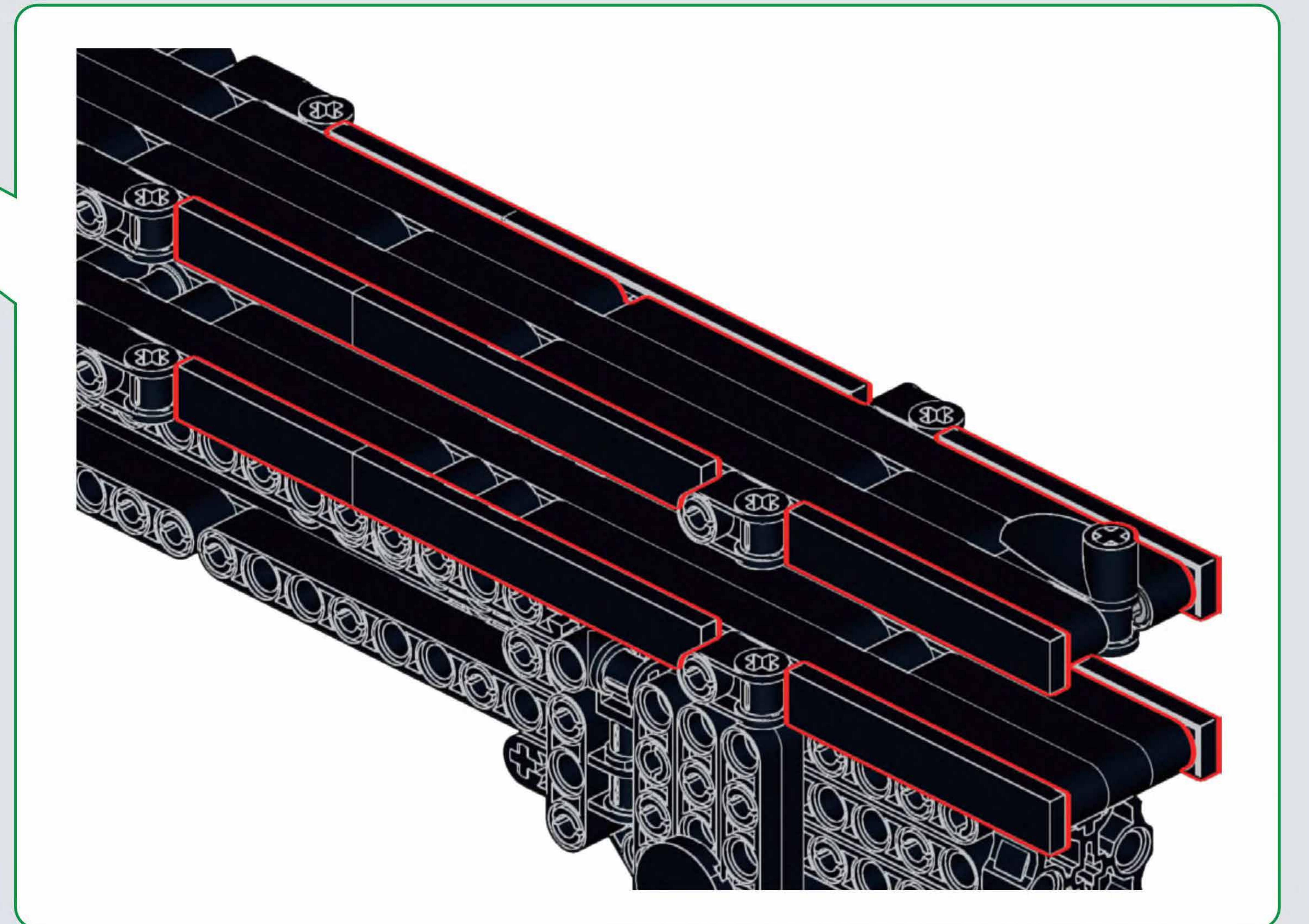
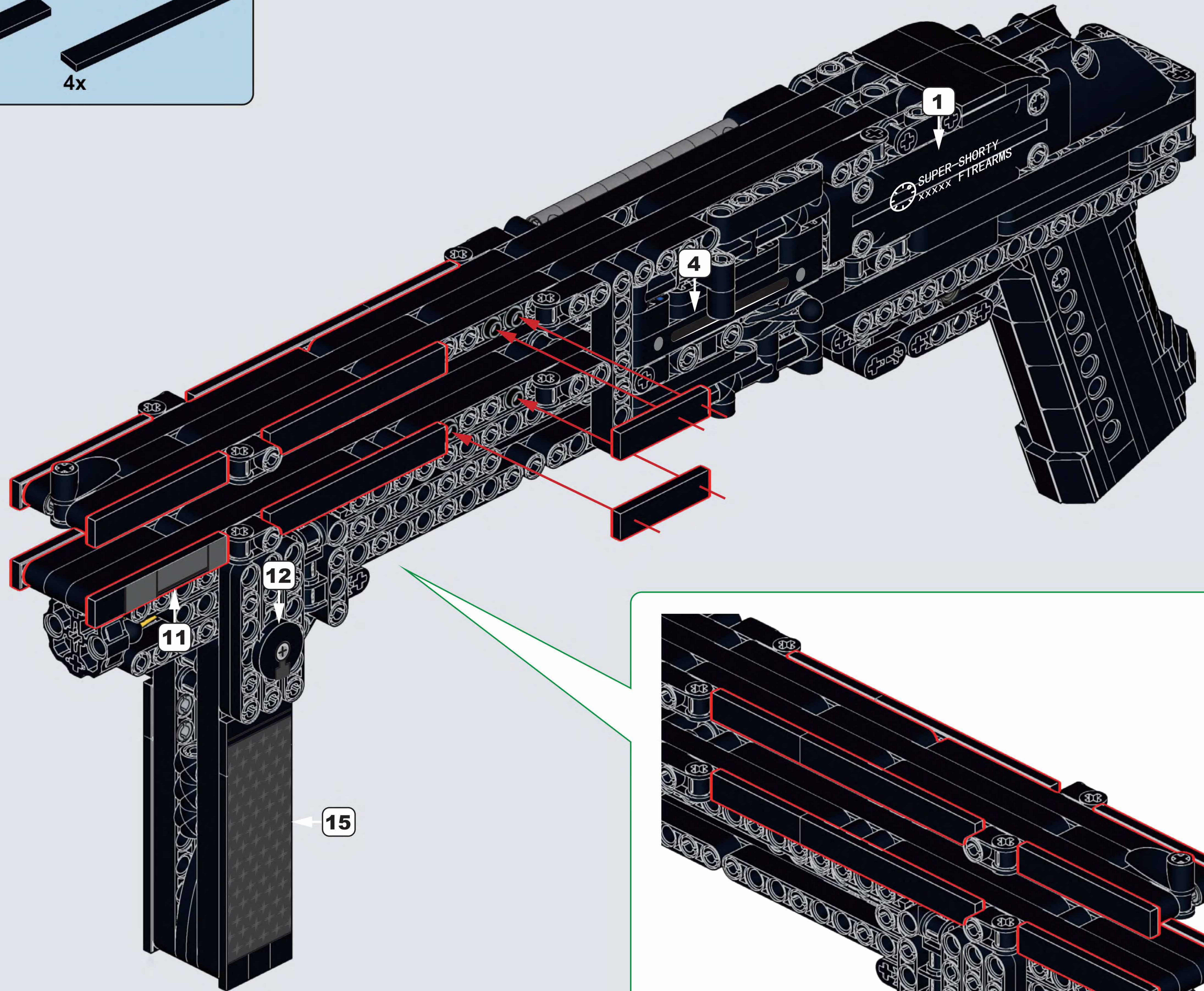


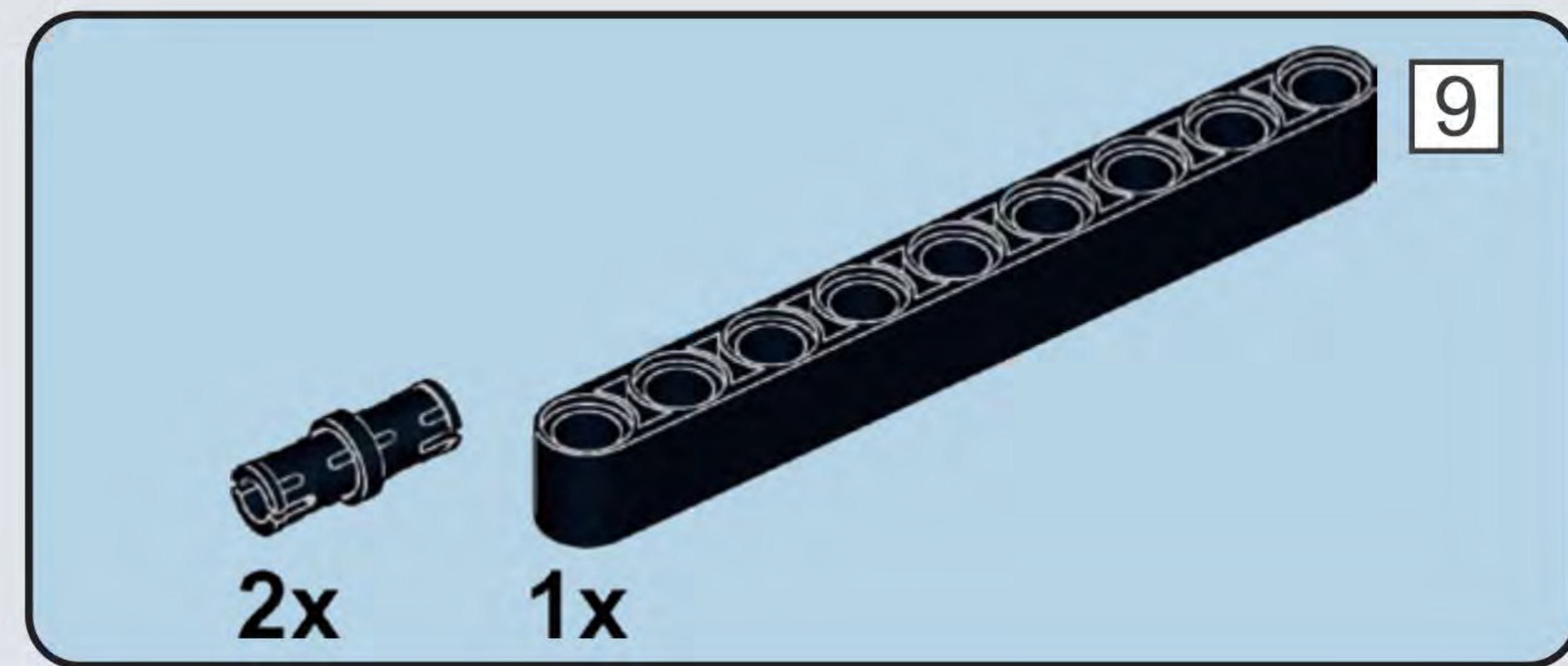
B43



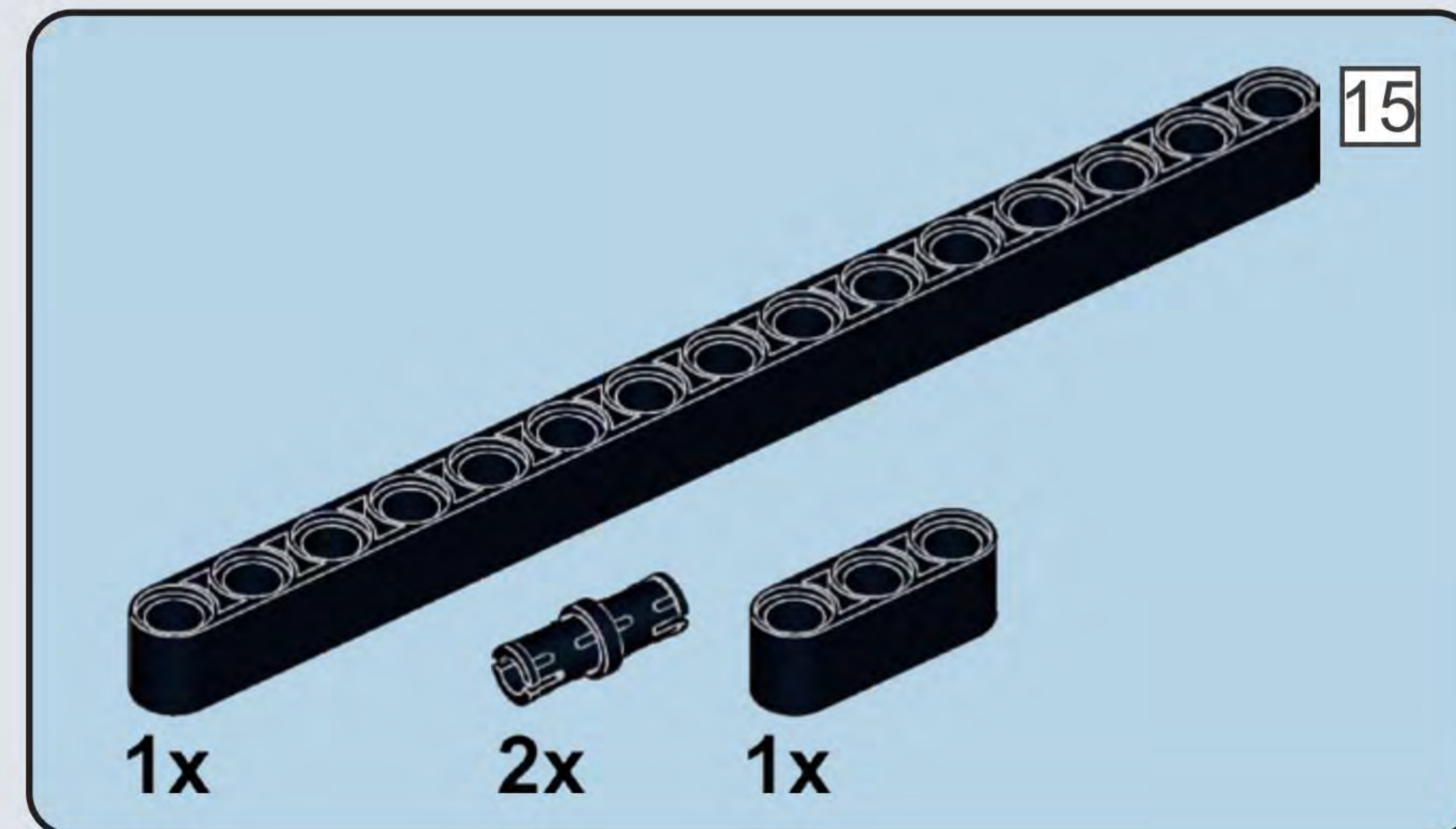
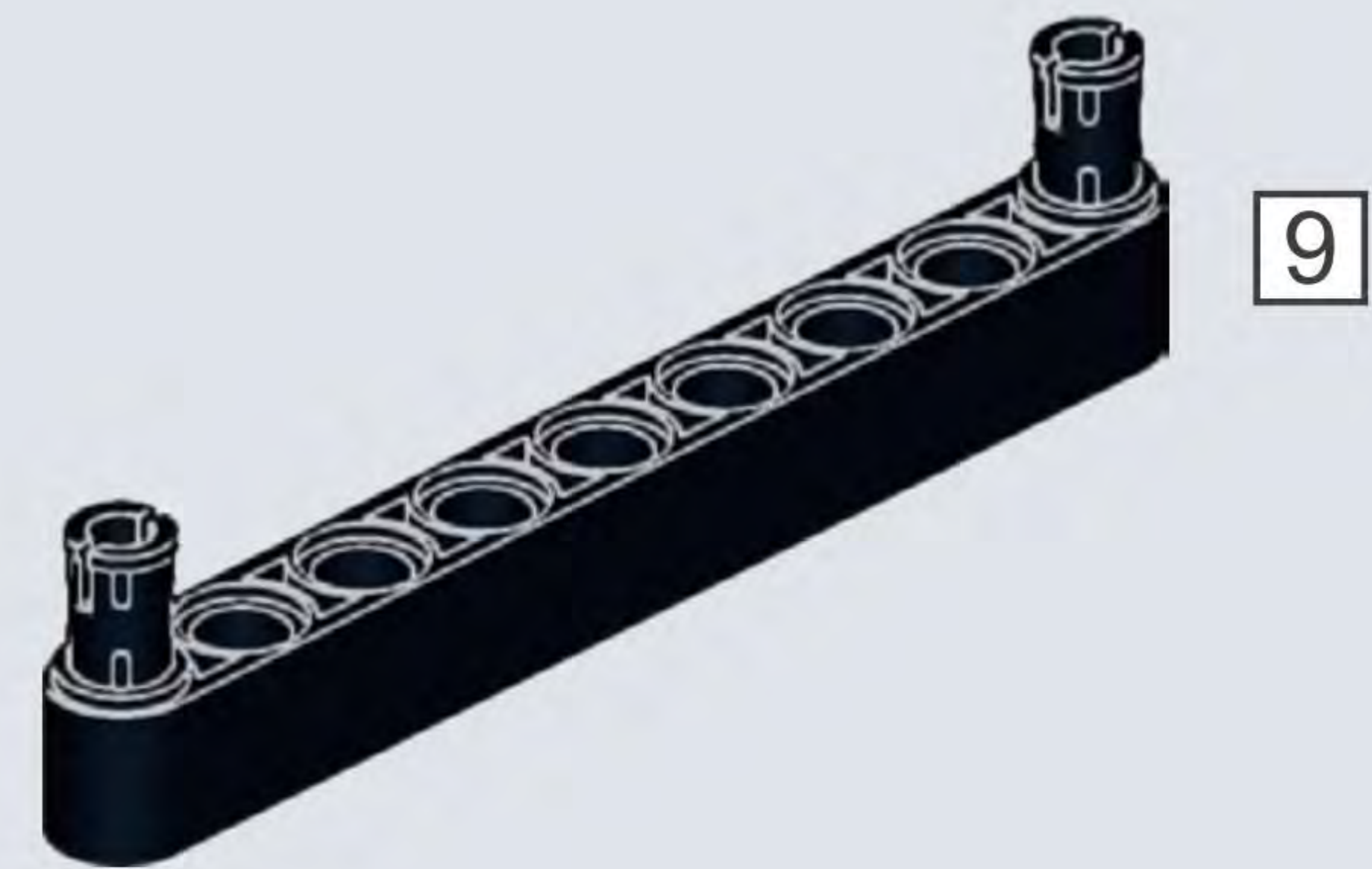


B44

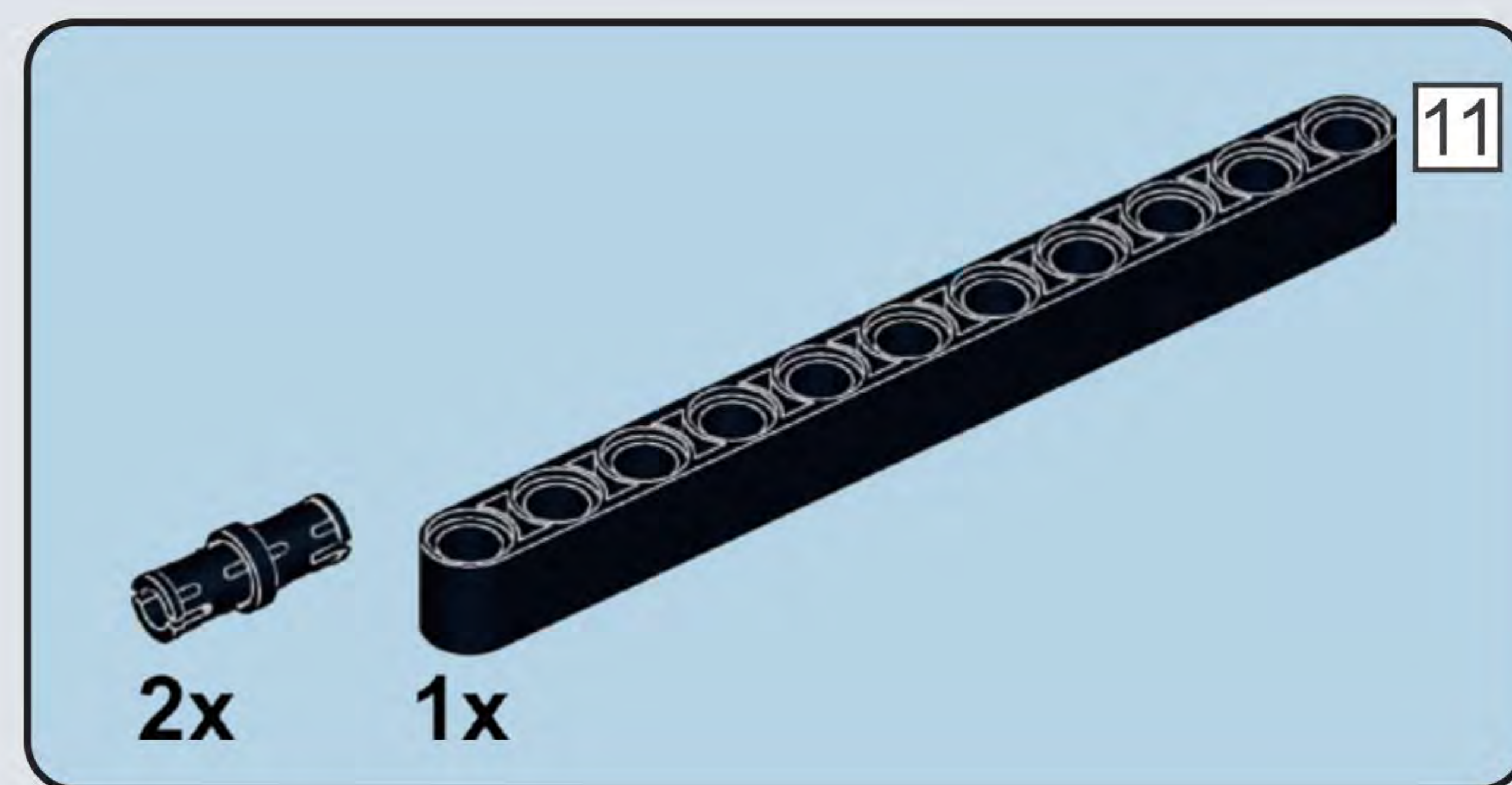
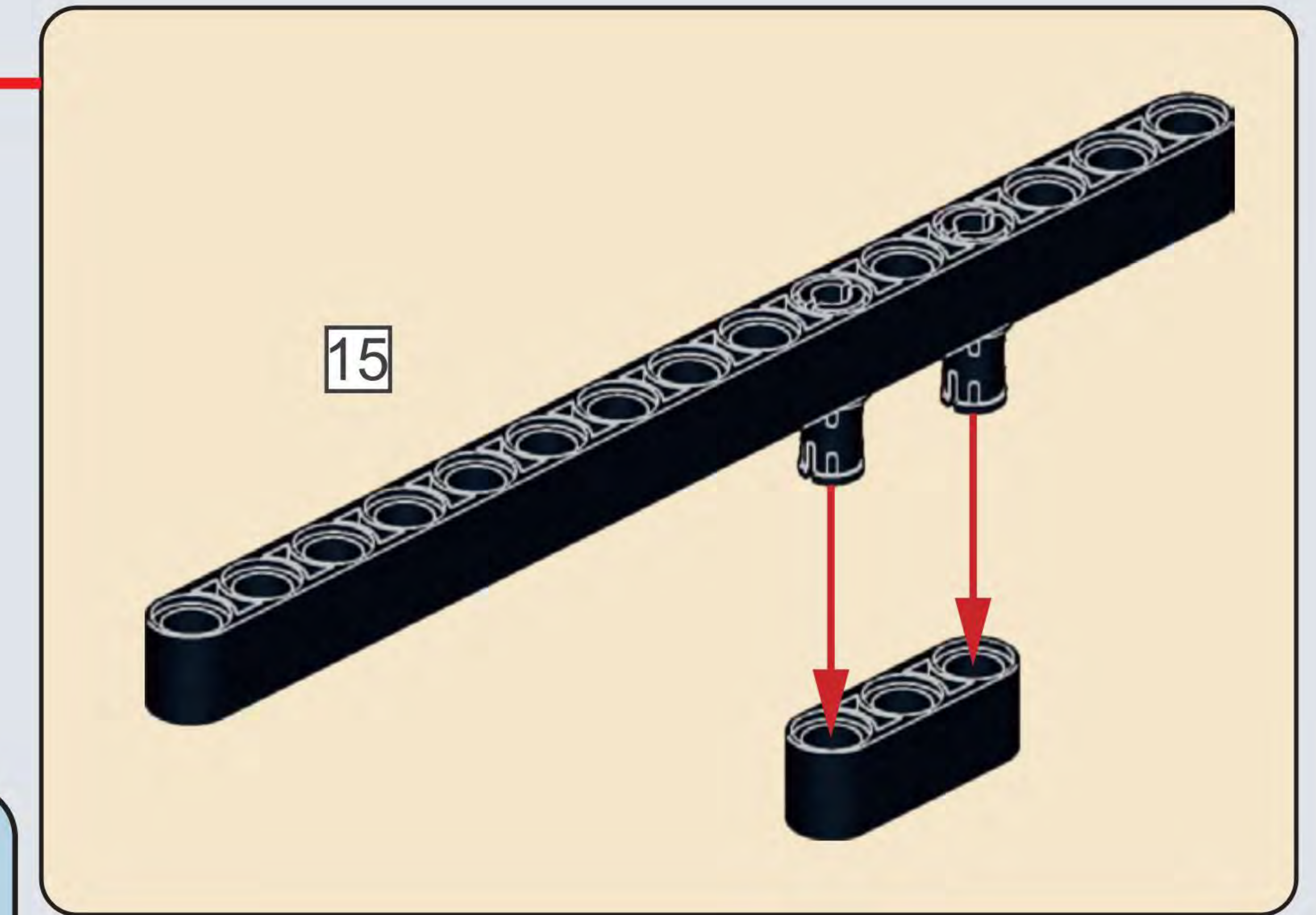
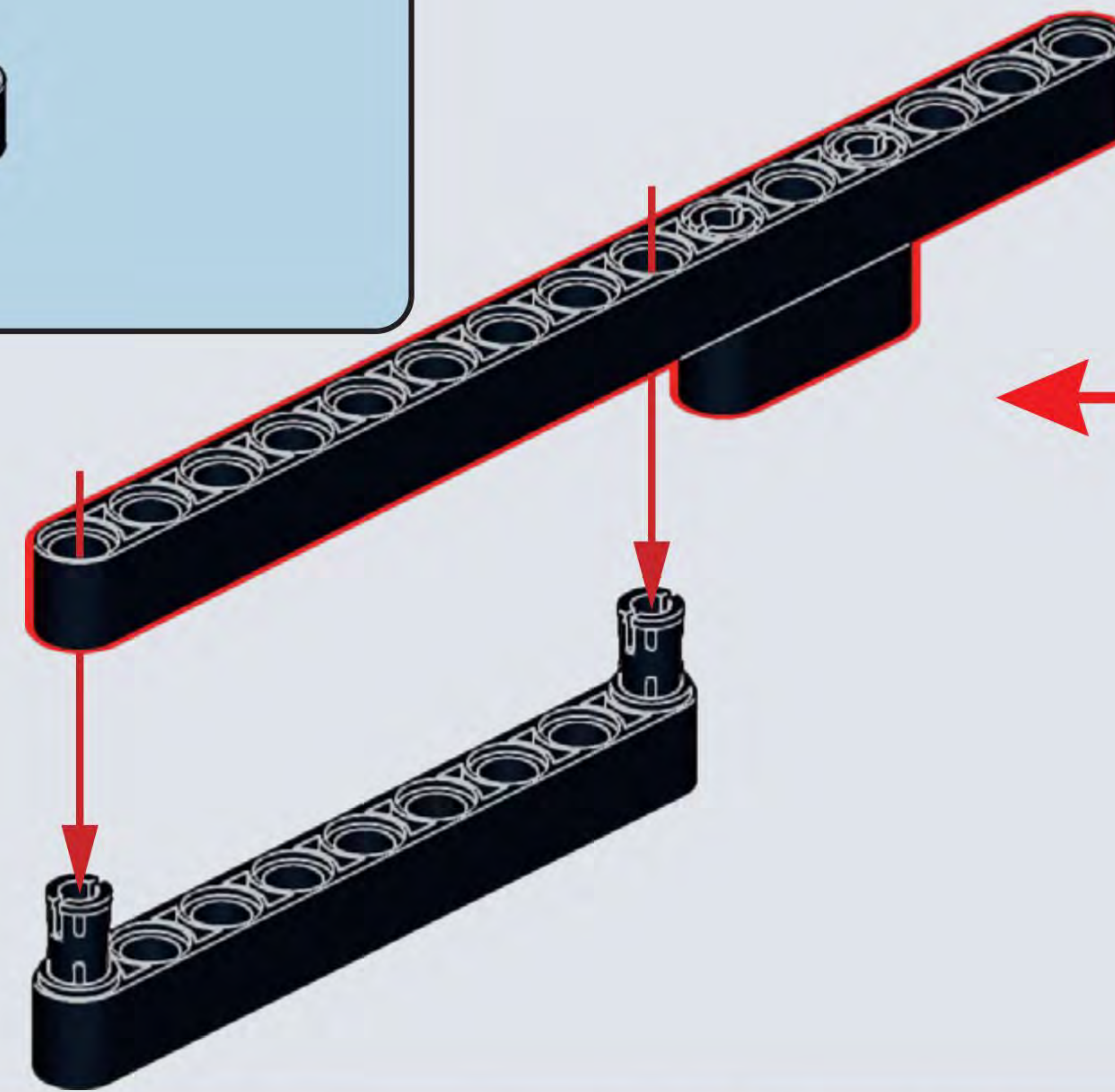




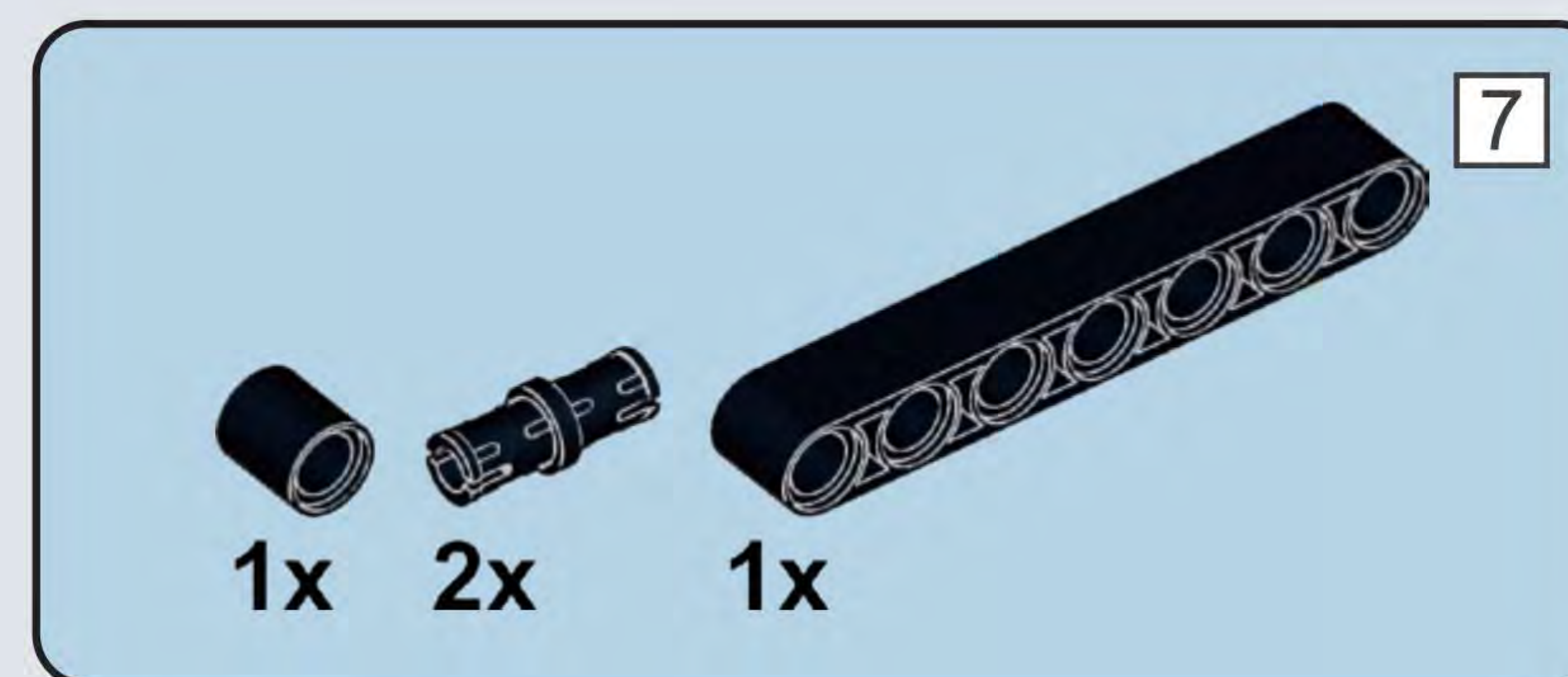
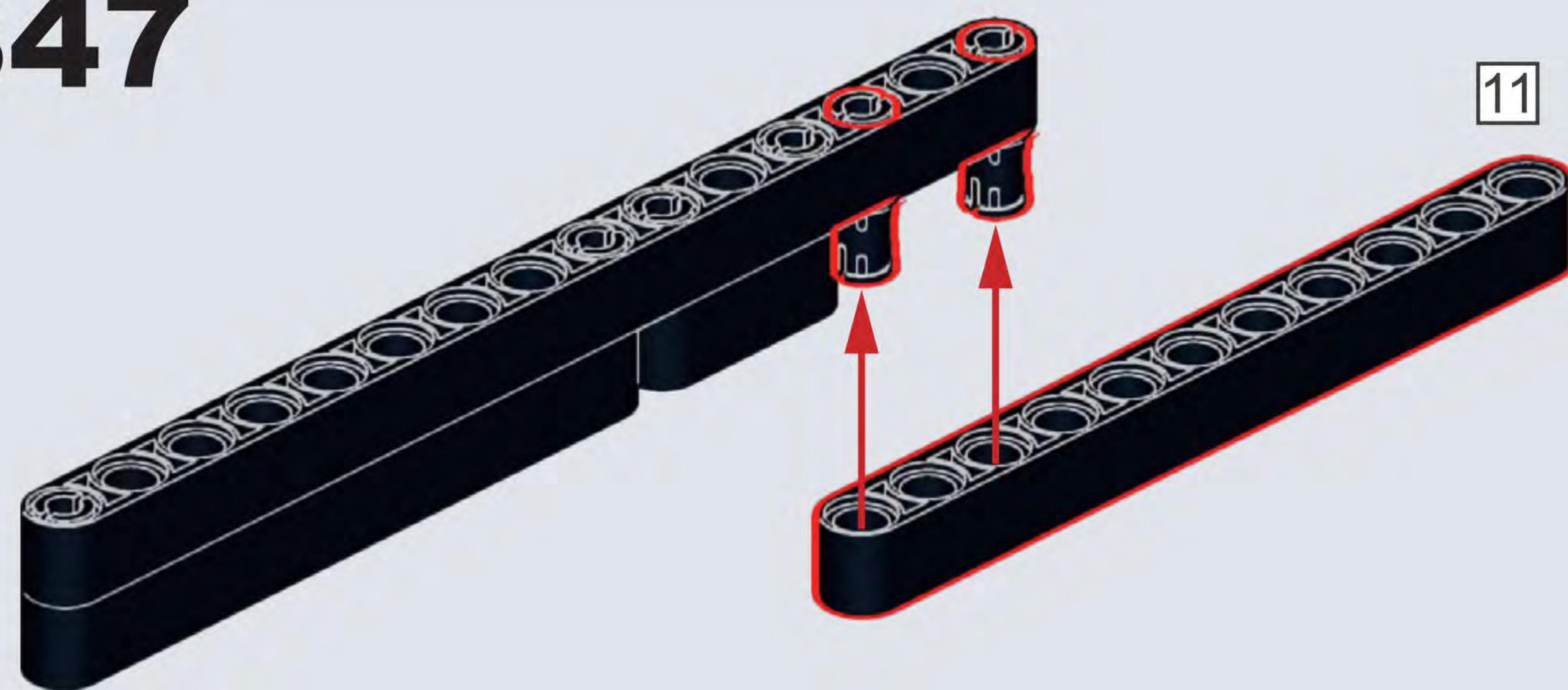
B45



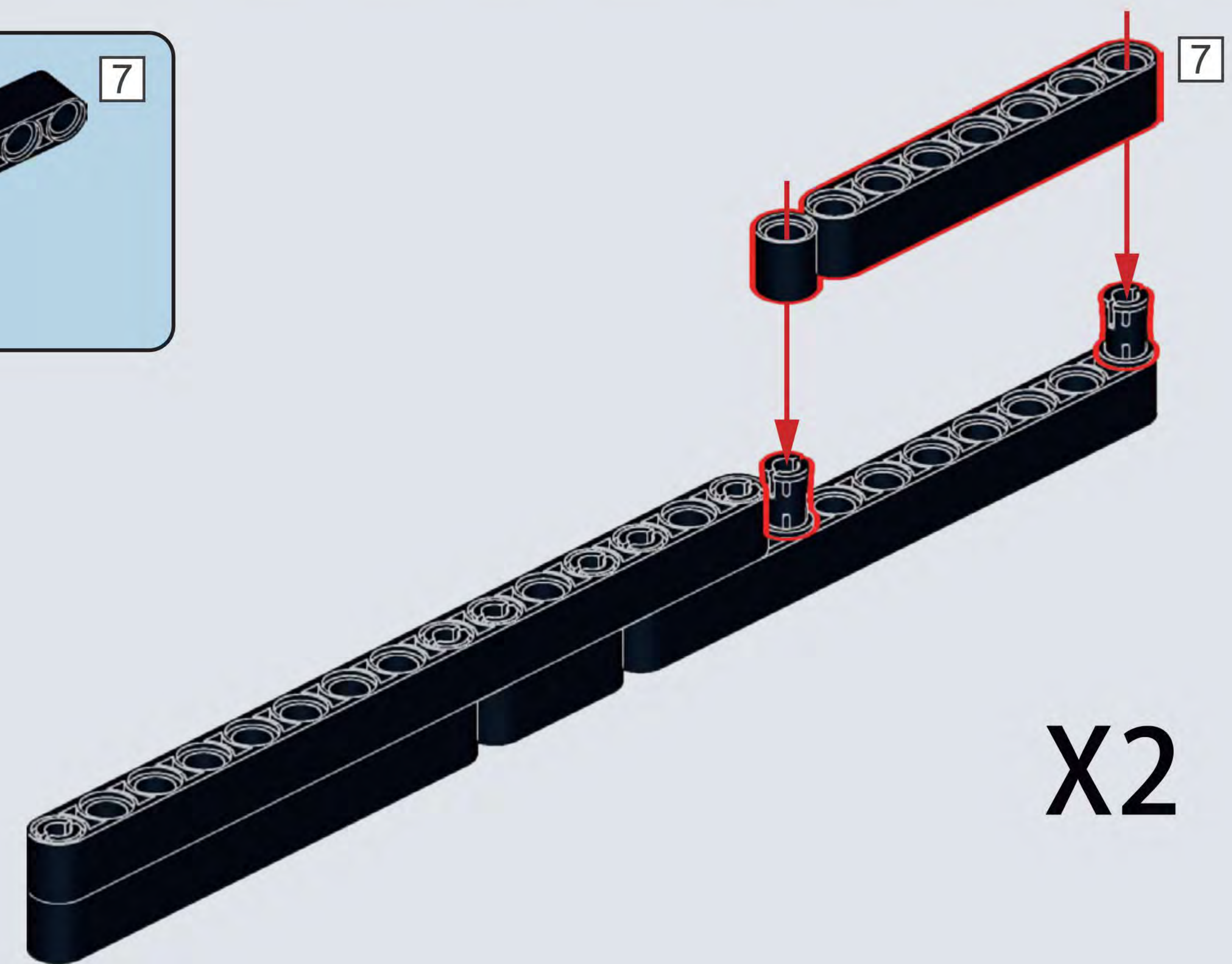
B46



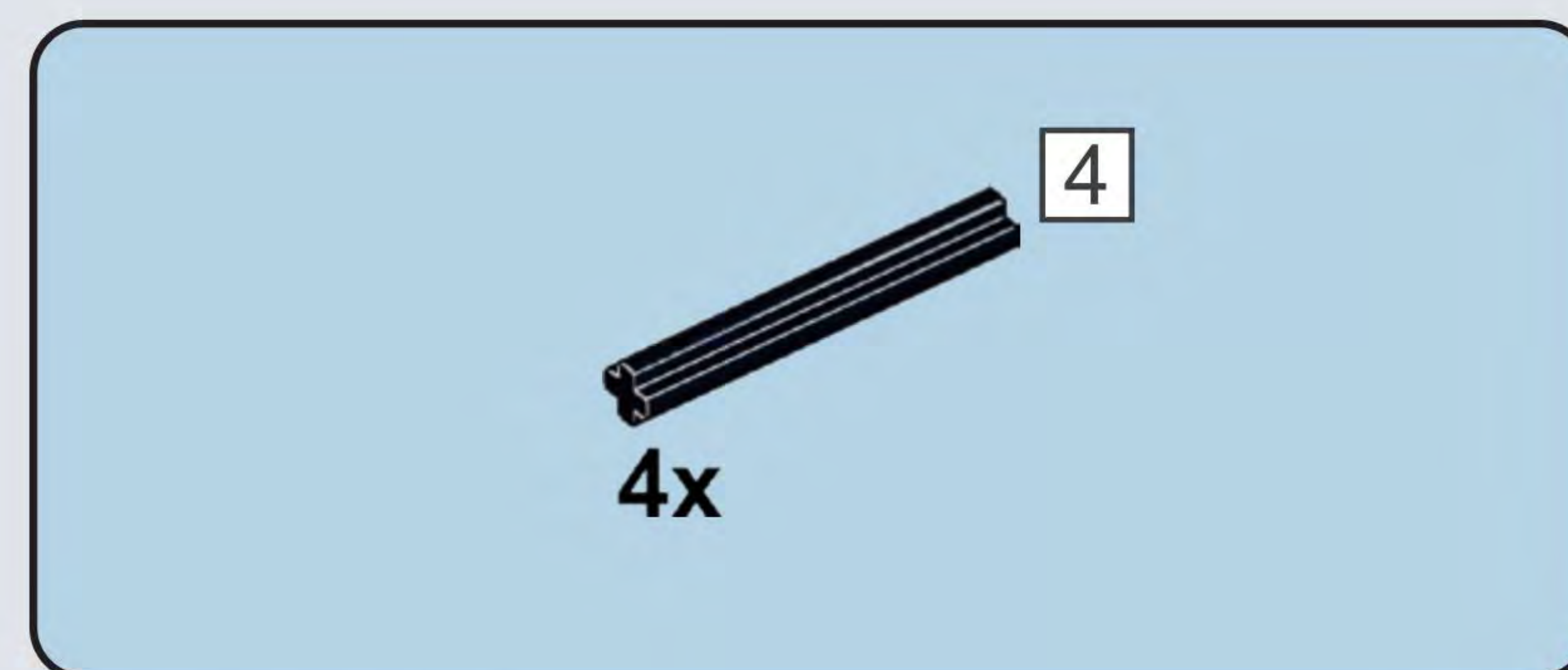
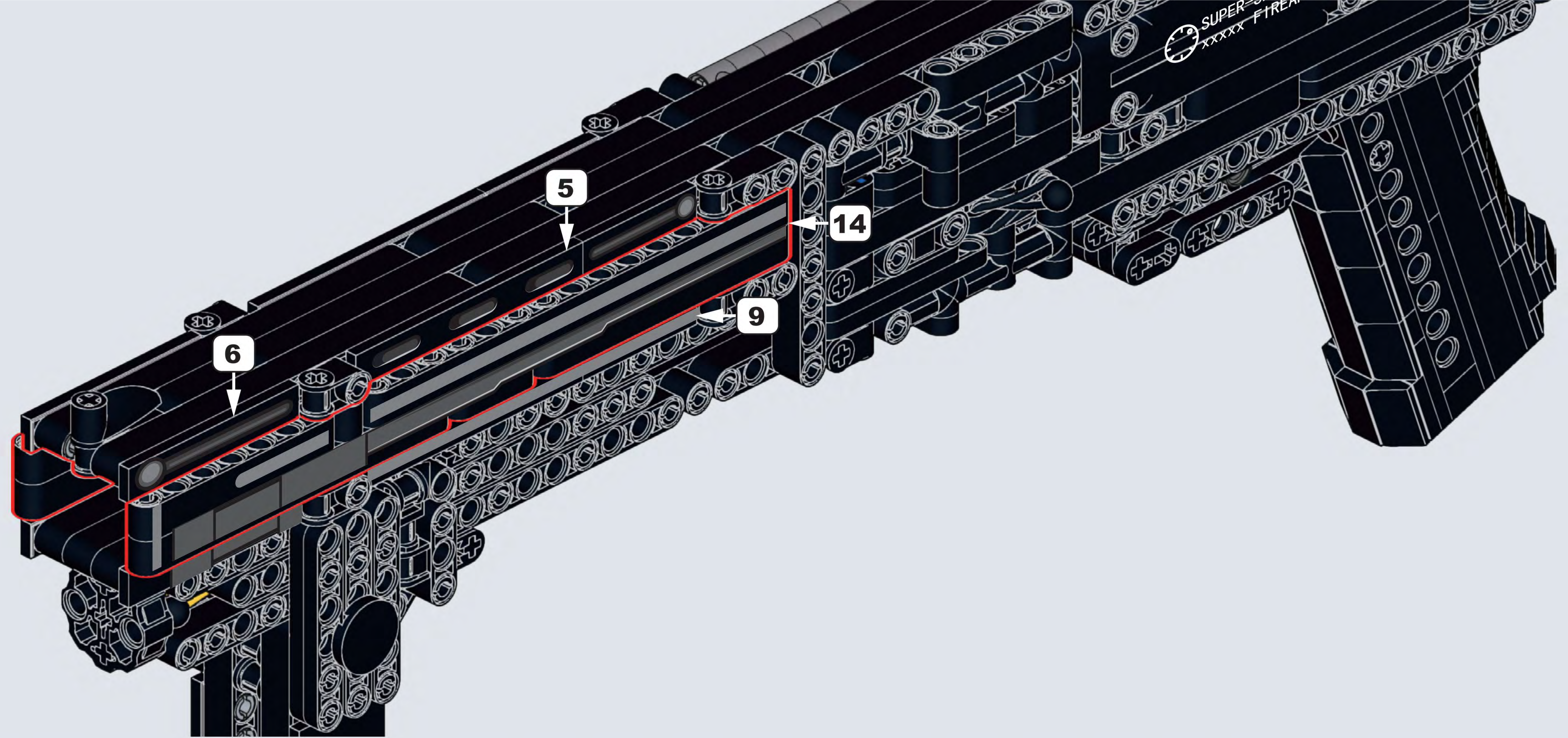
B47



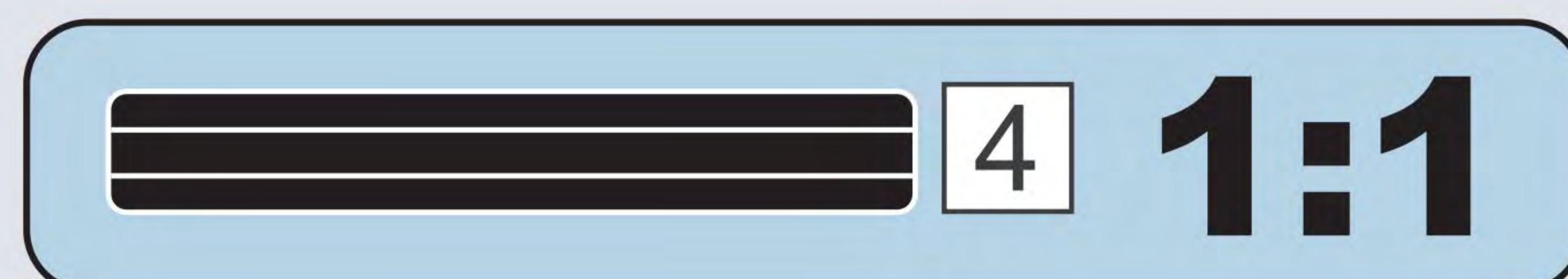
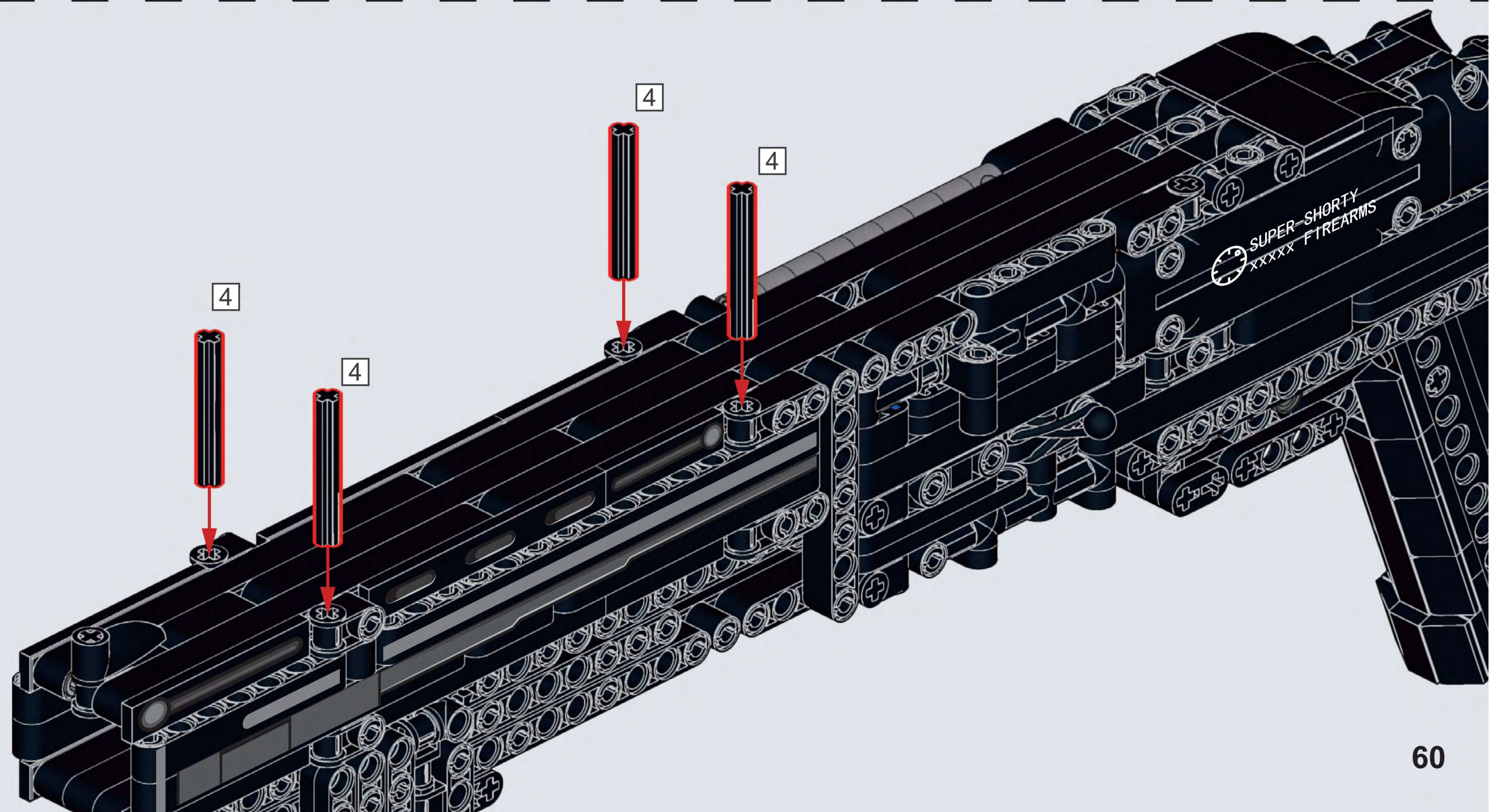
B48

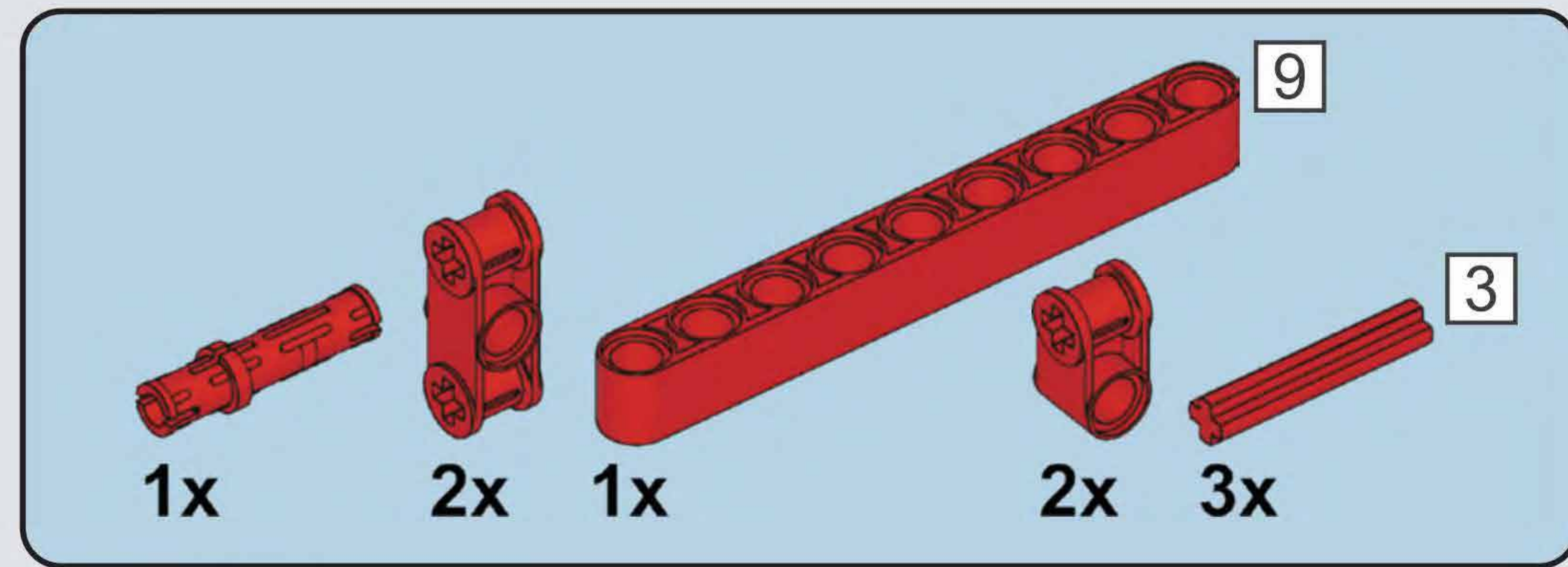


B49

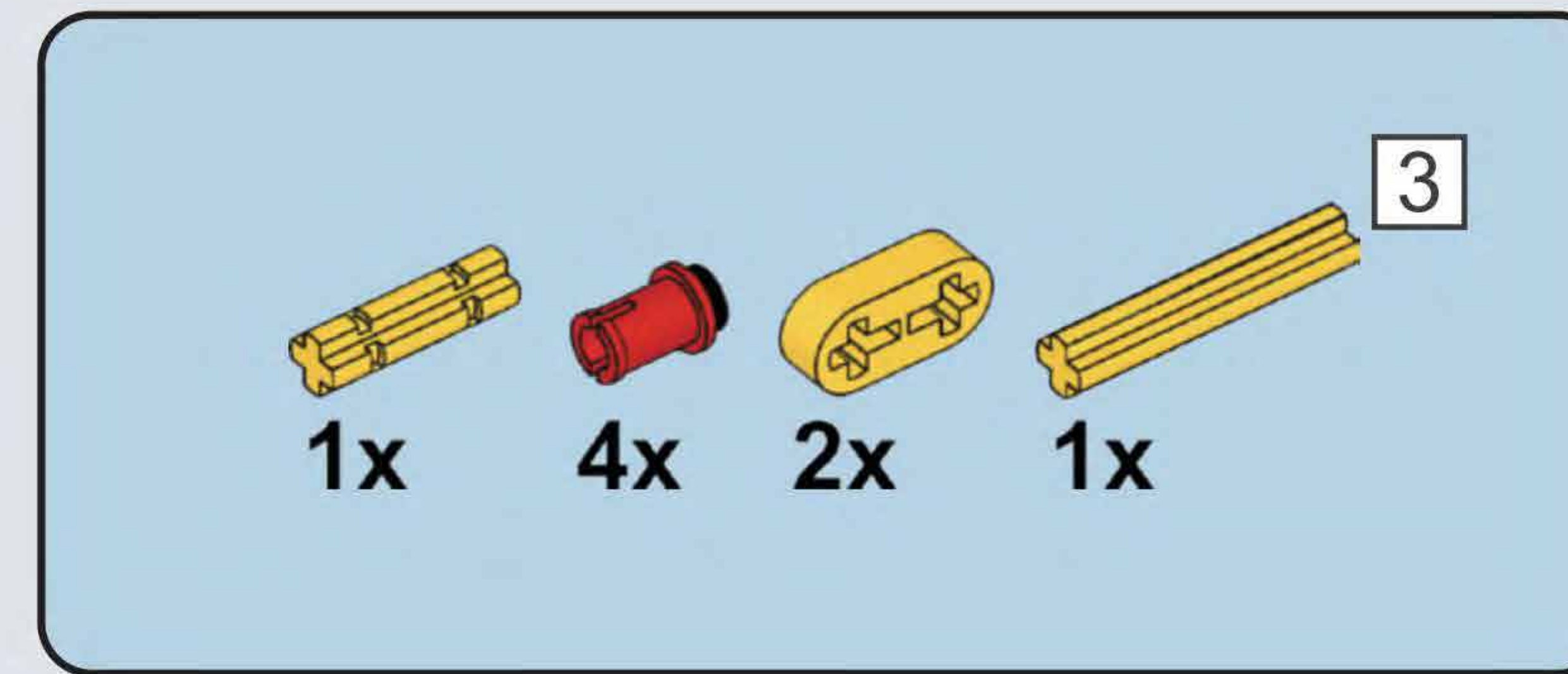
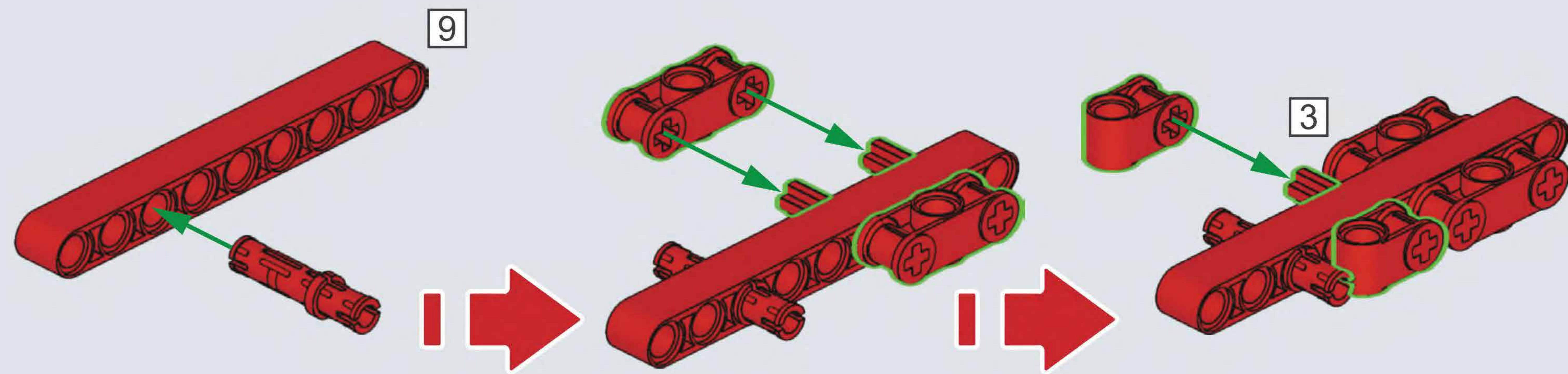


B50

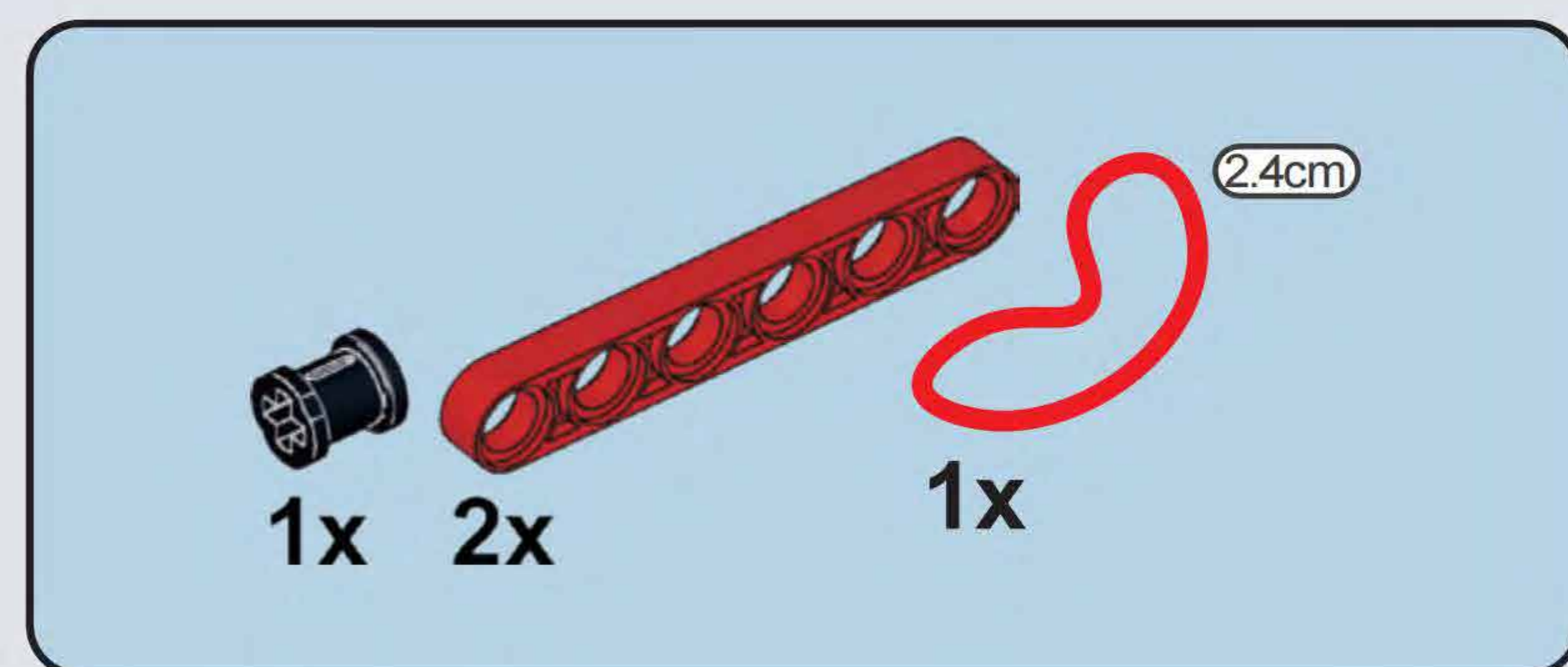
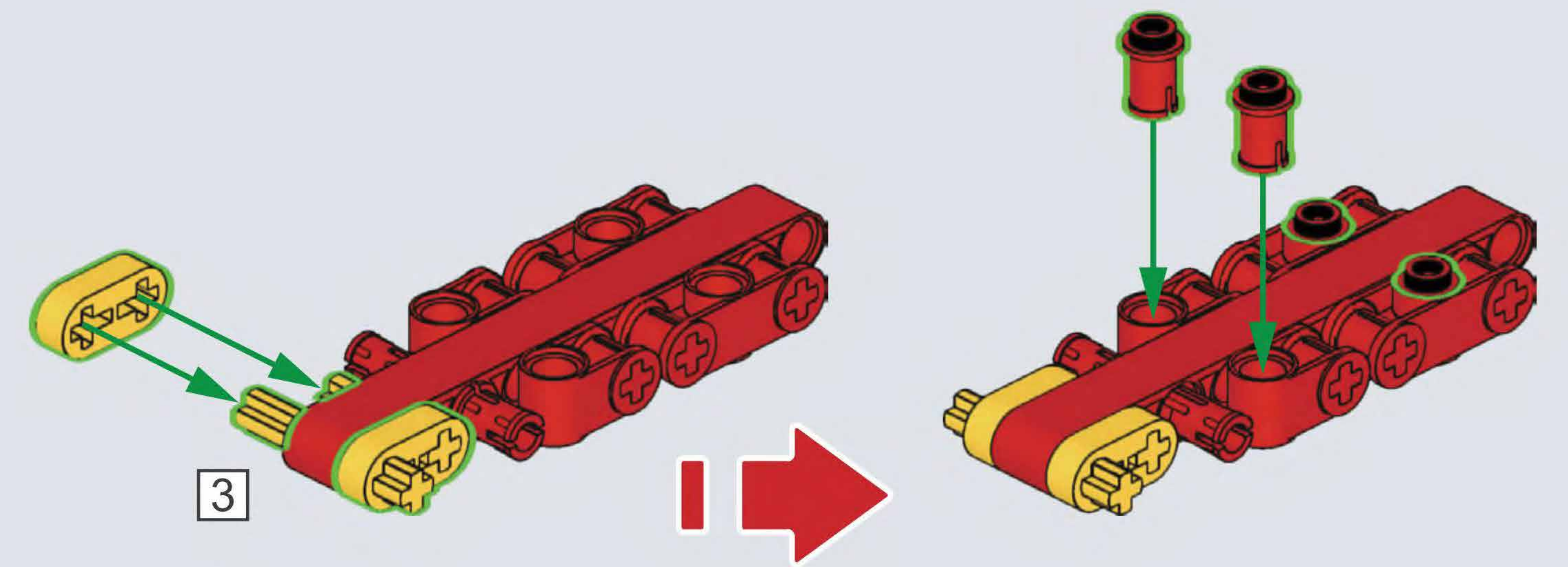




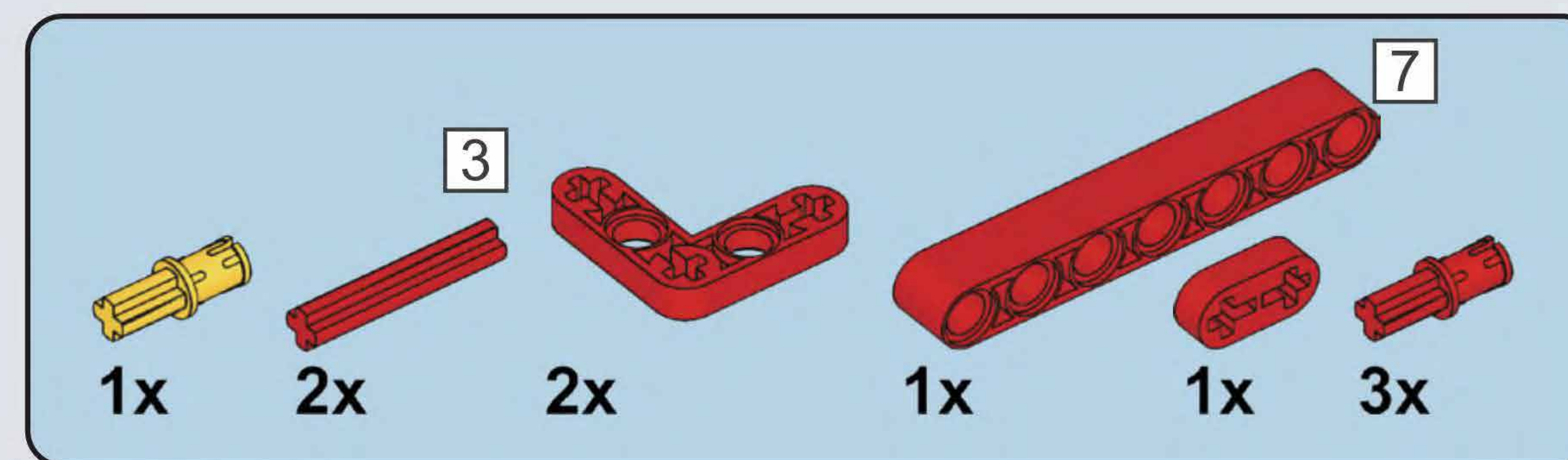
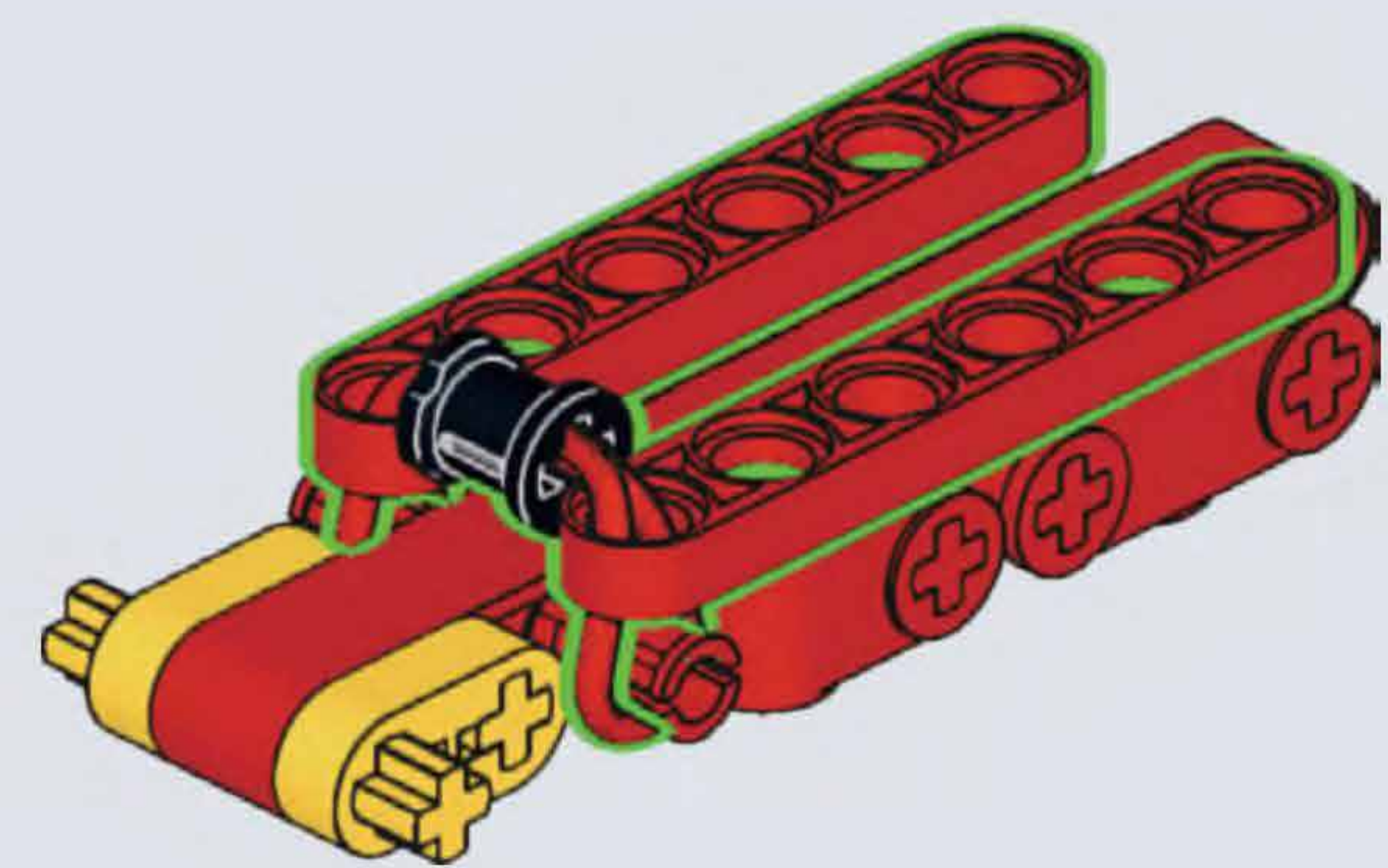
B51



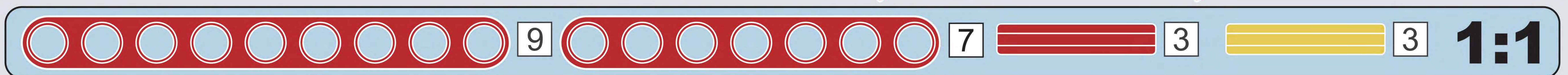
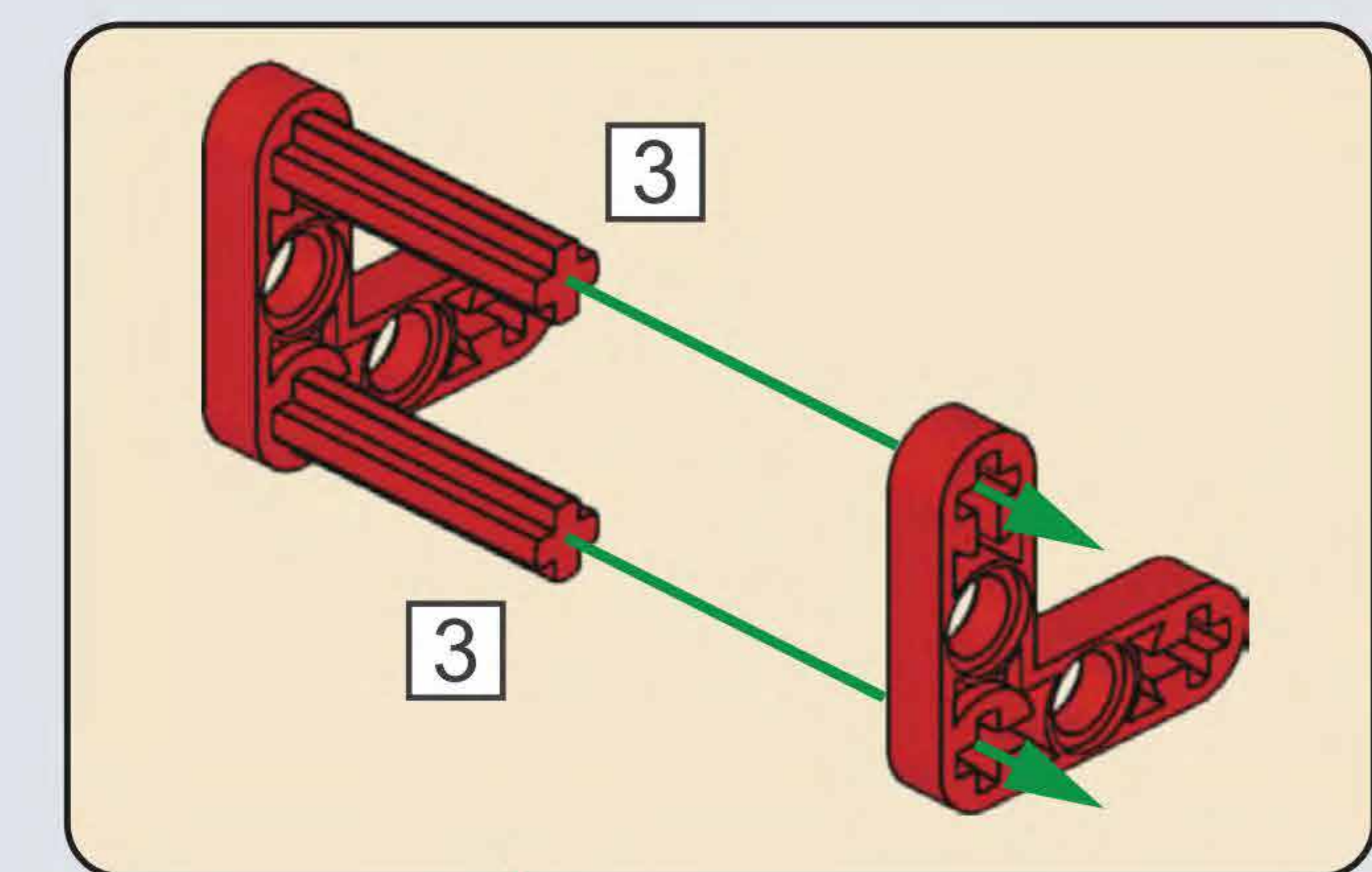
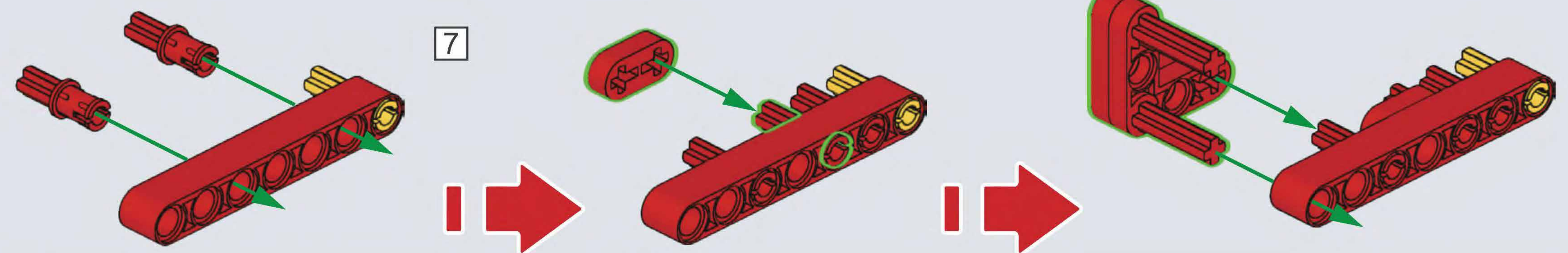
B52

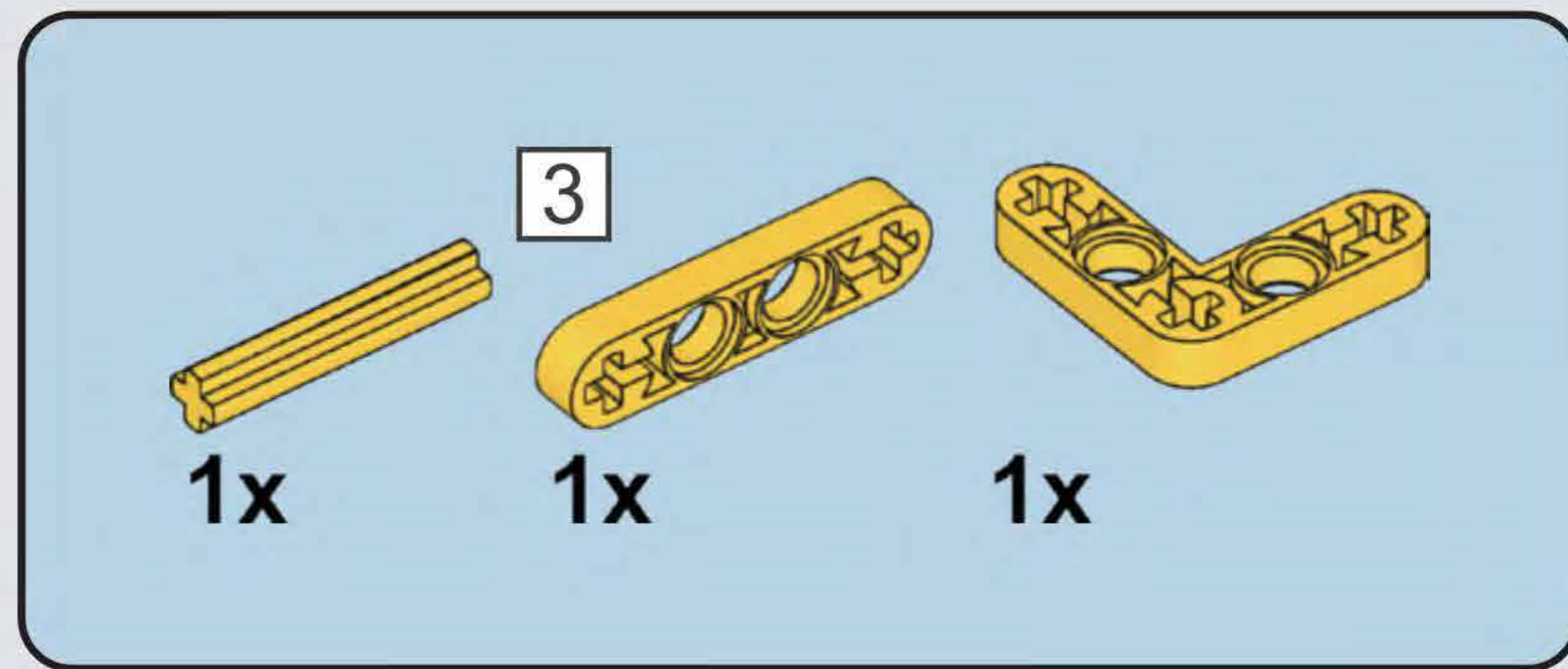


B53

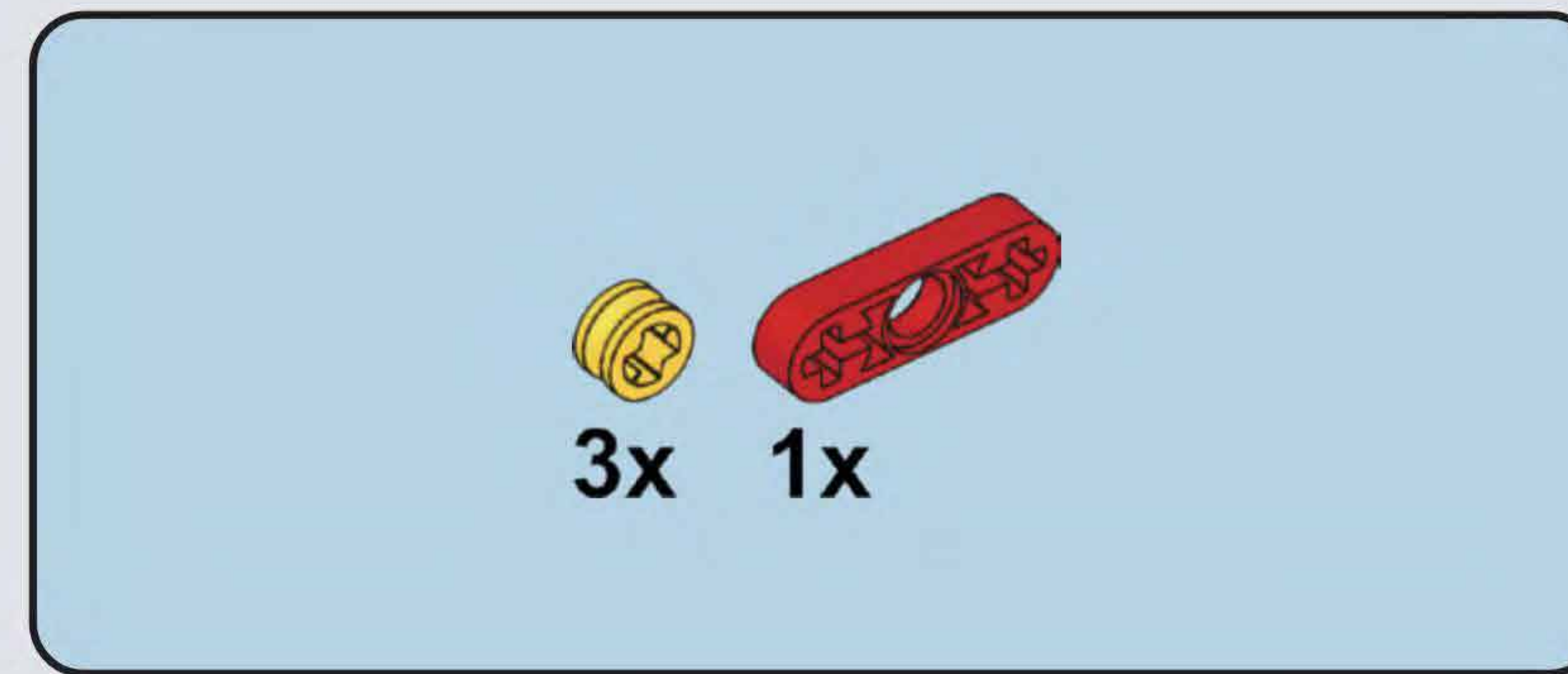
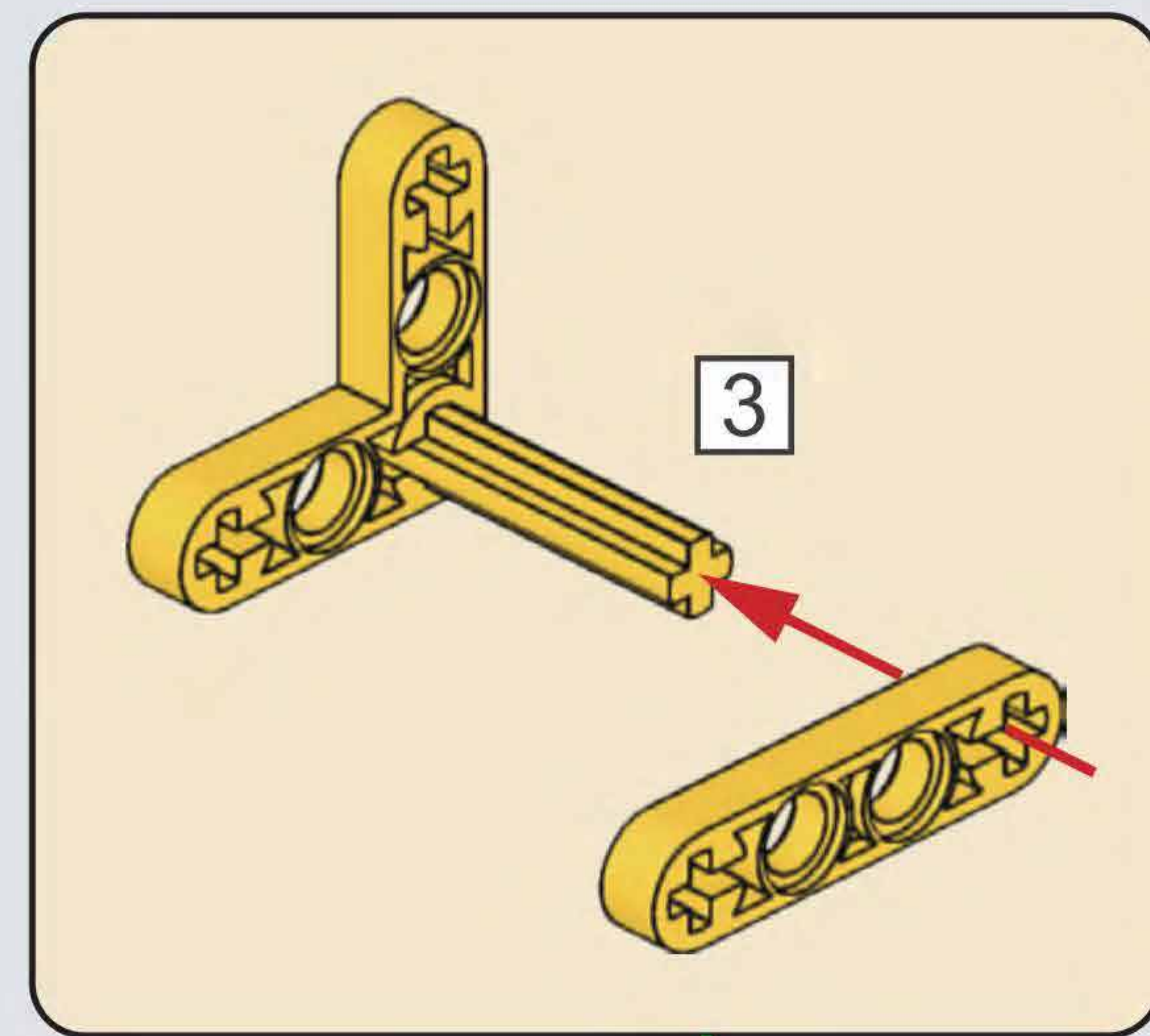
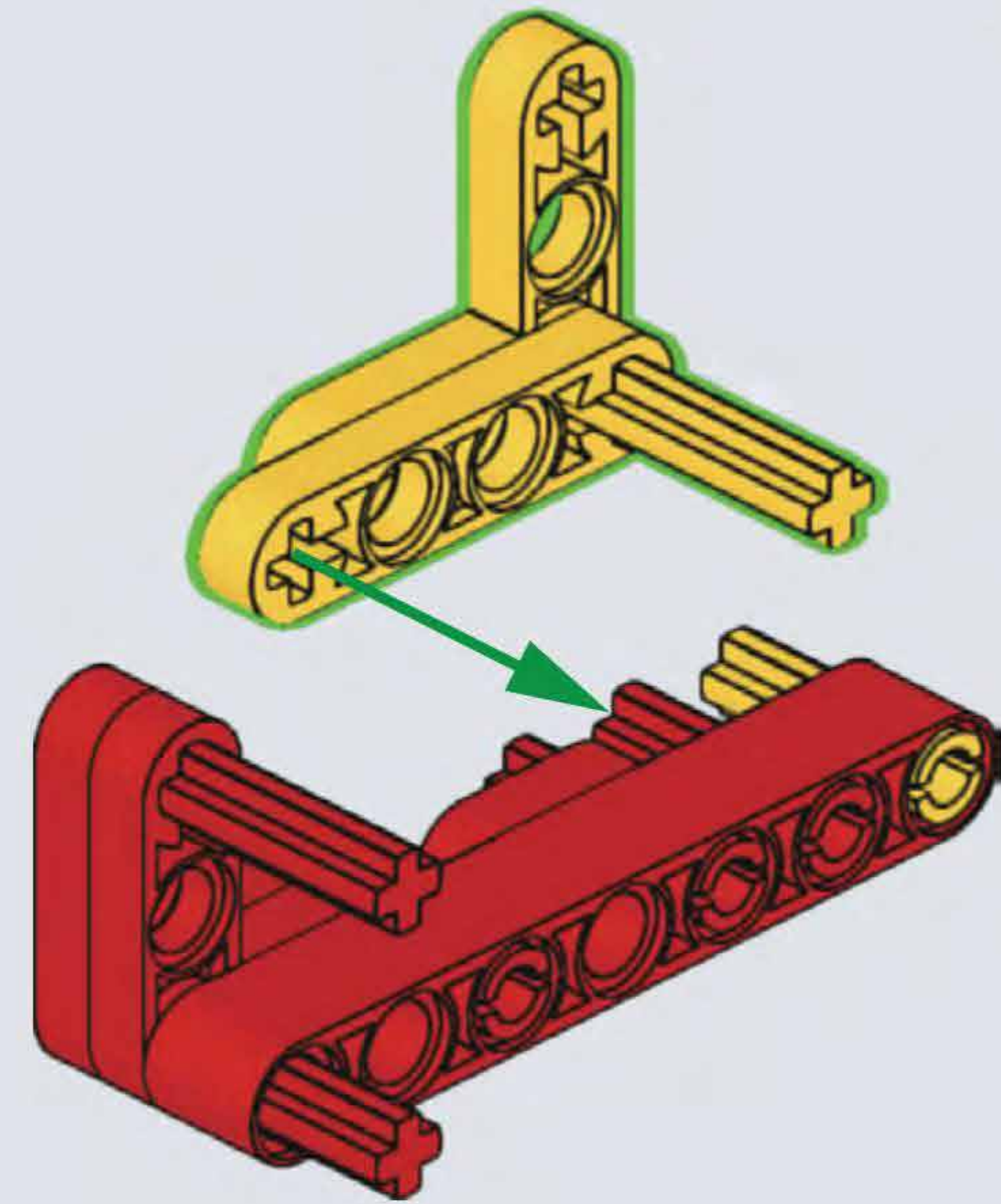


B54

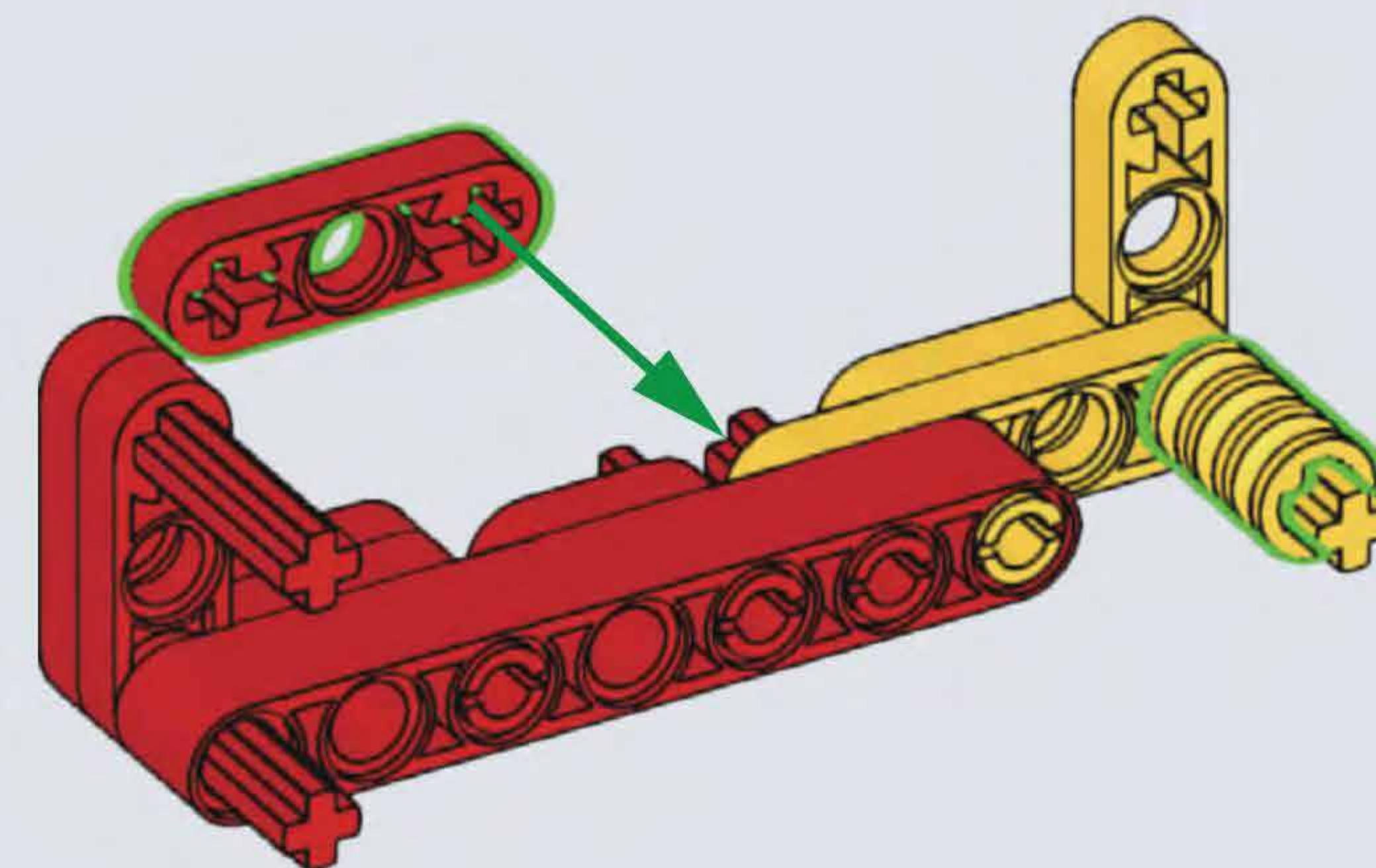




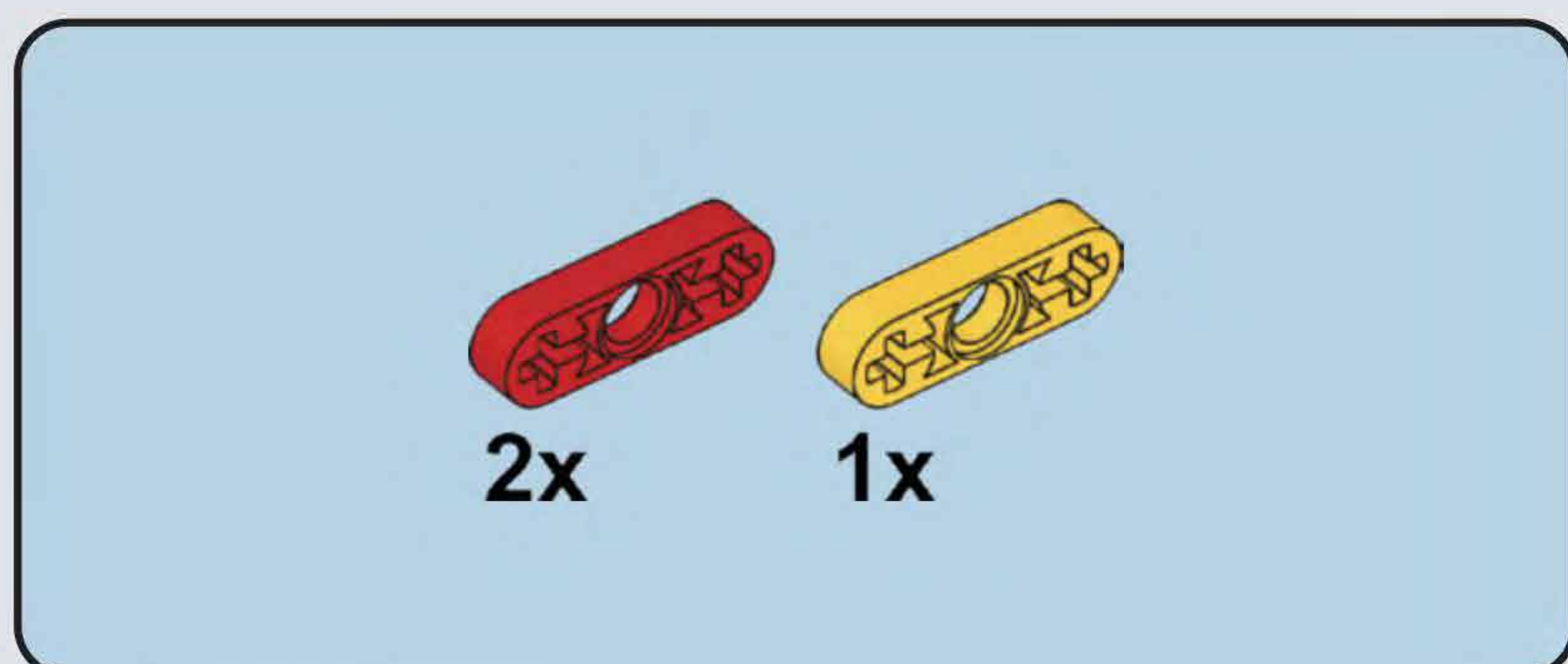
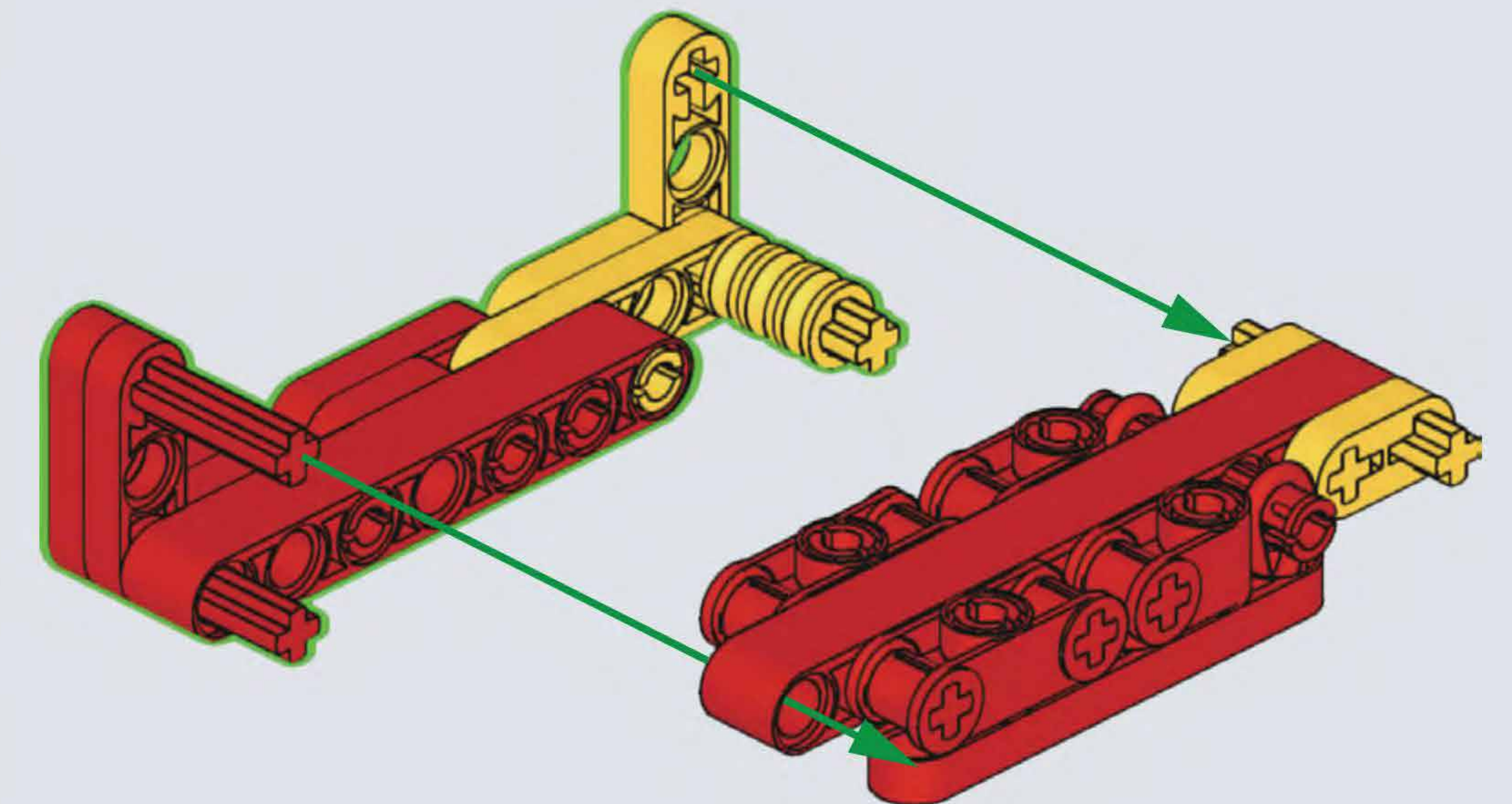
B55



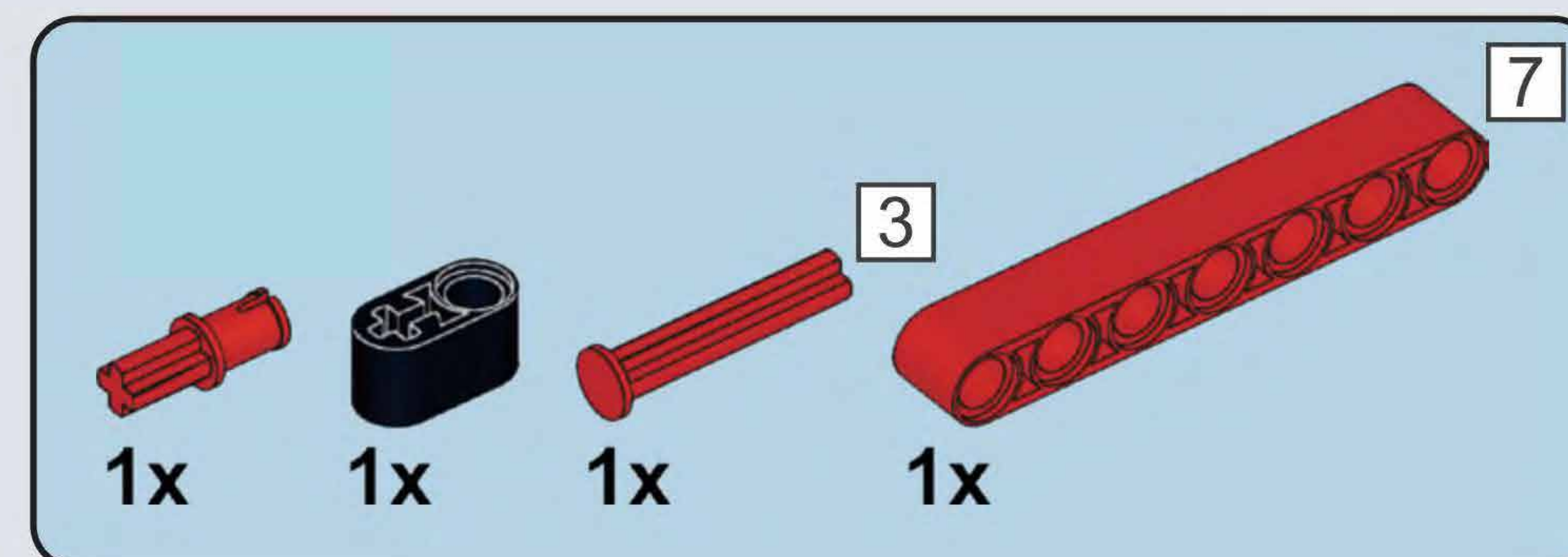
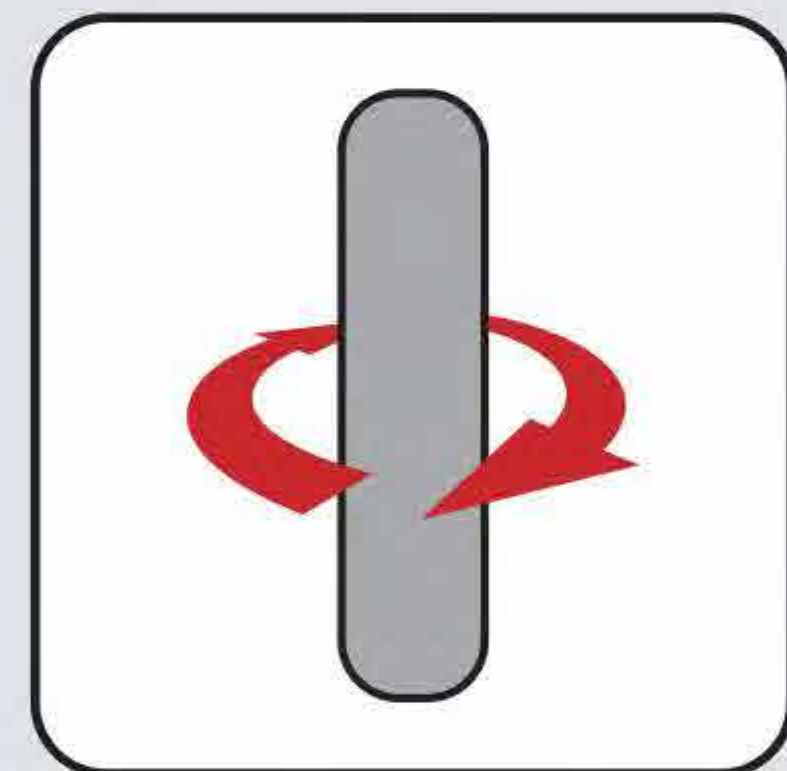
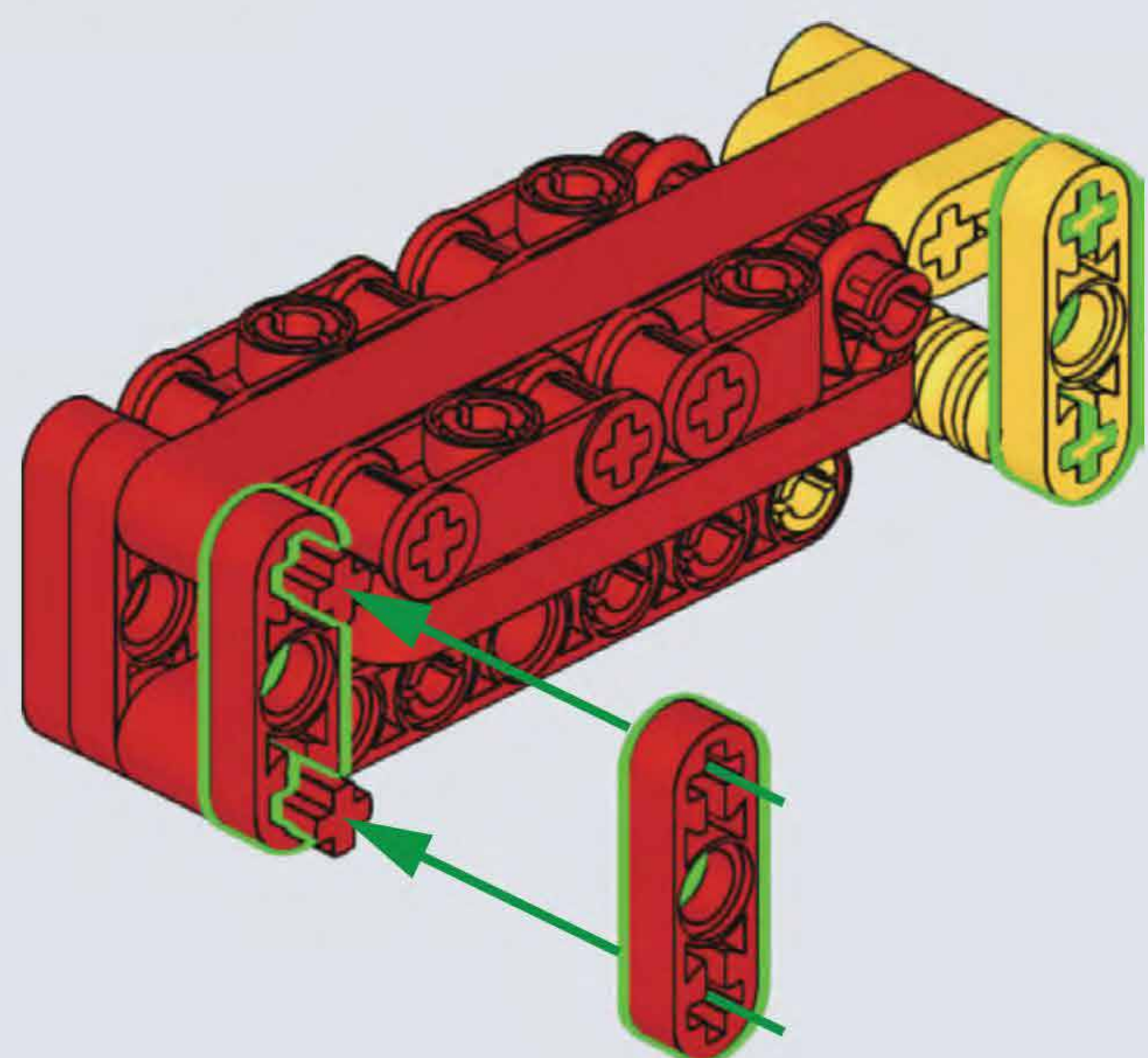
B56



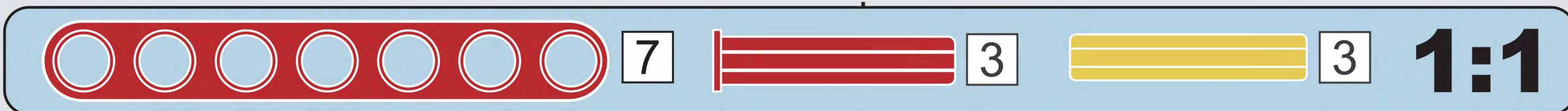
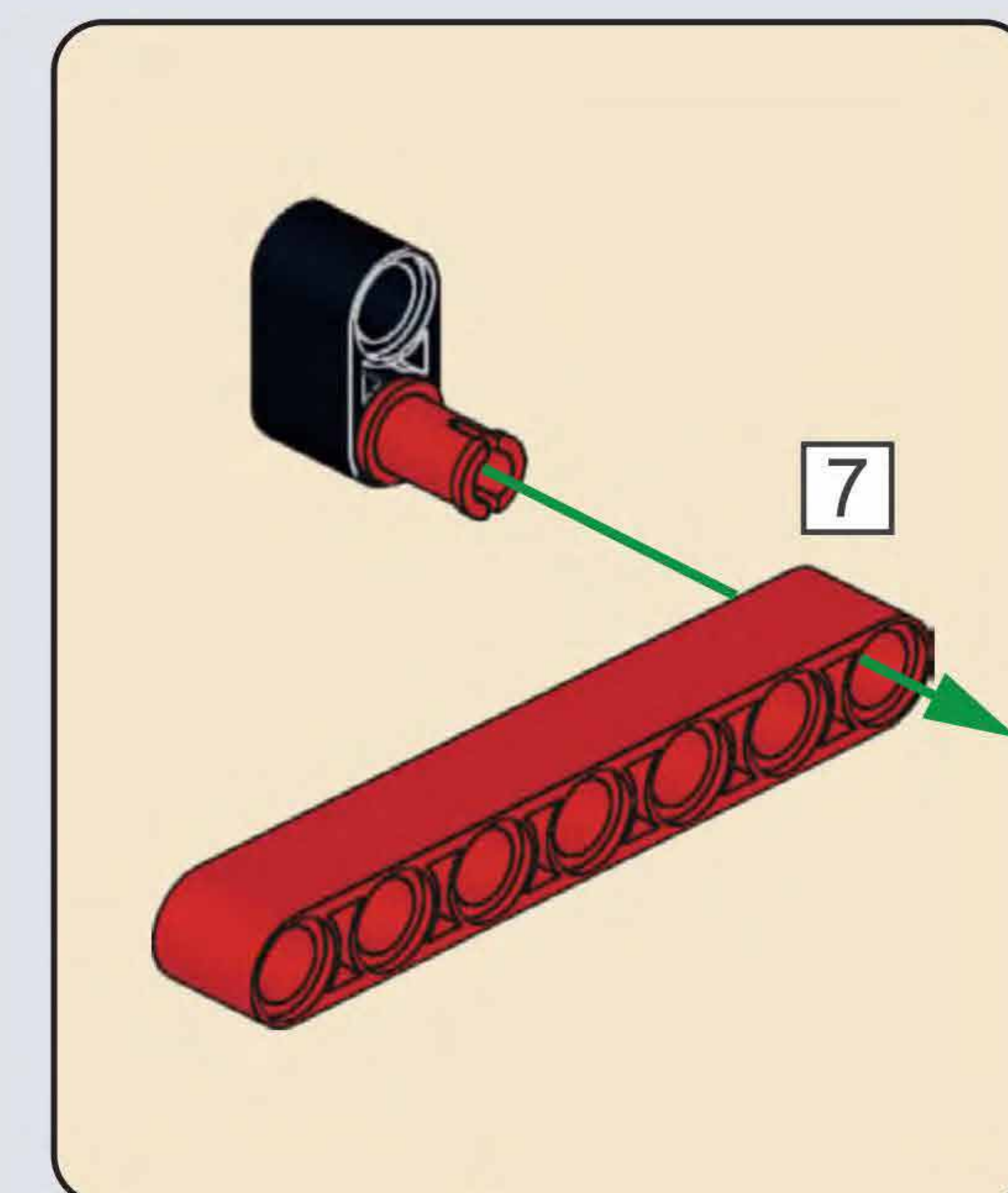
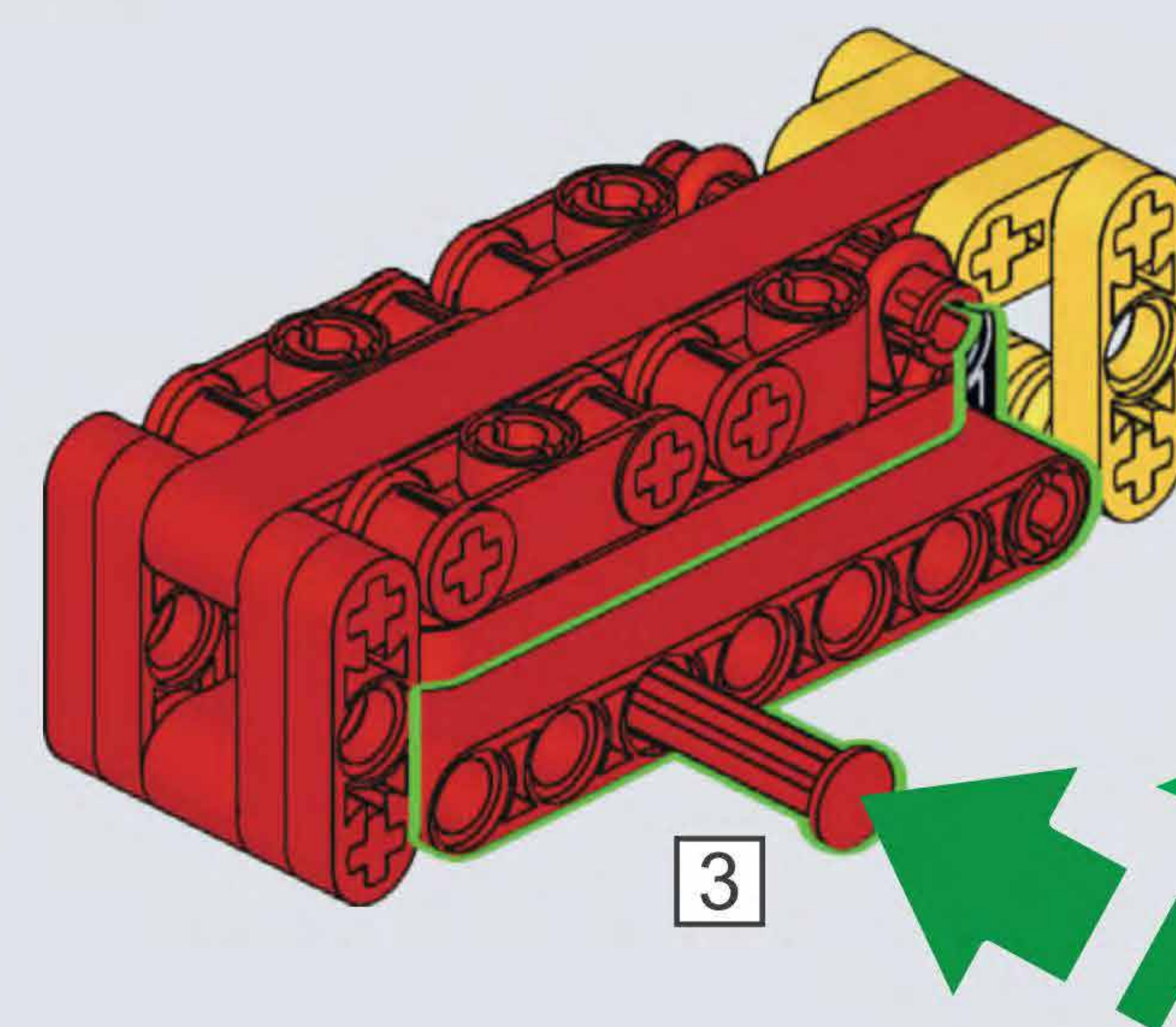
B57



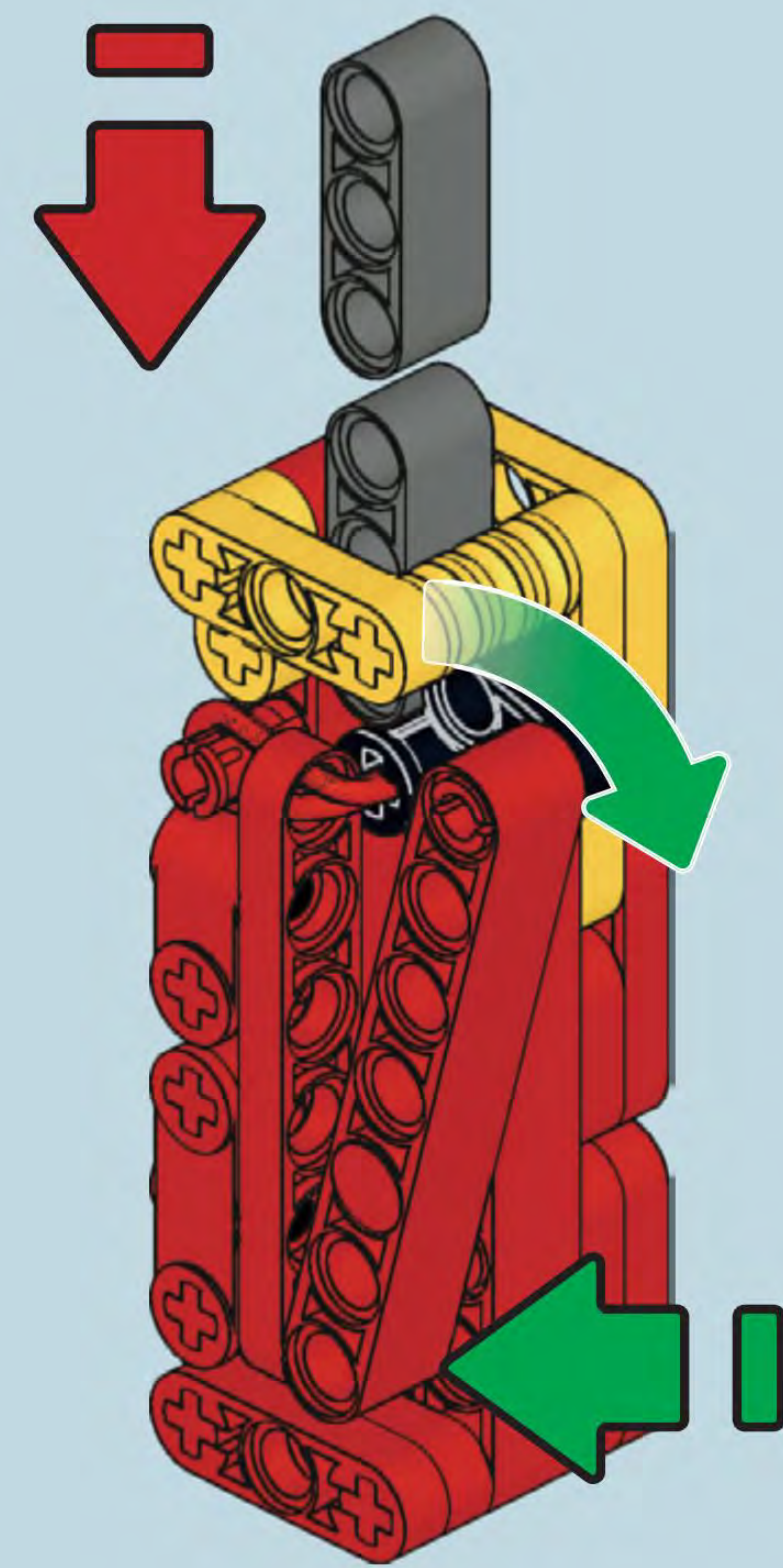
B58



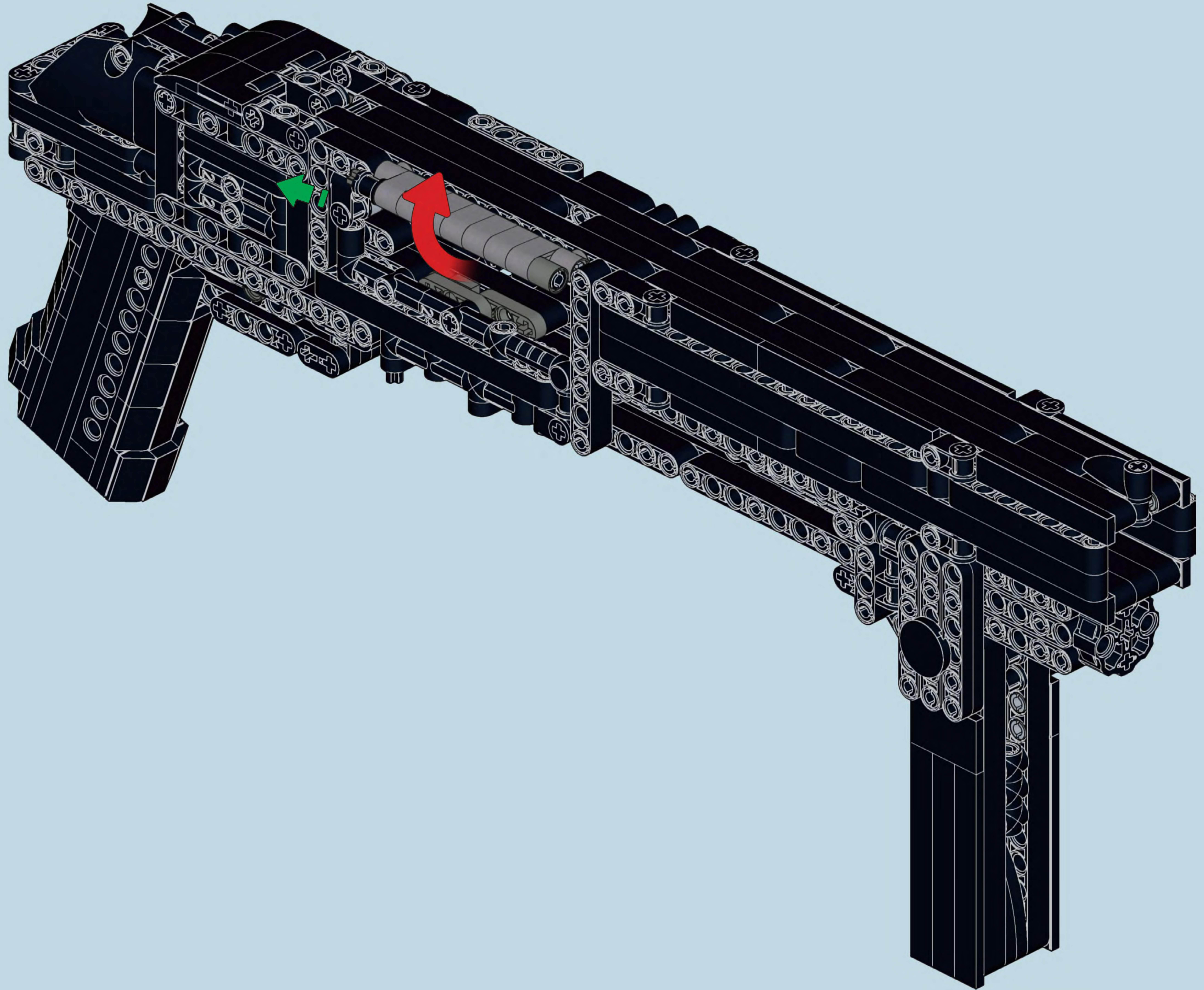
B59



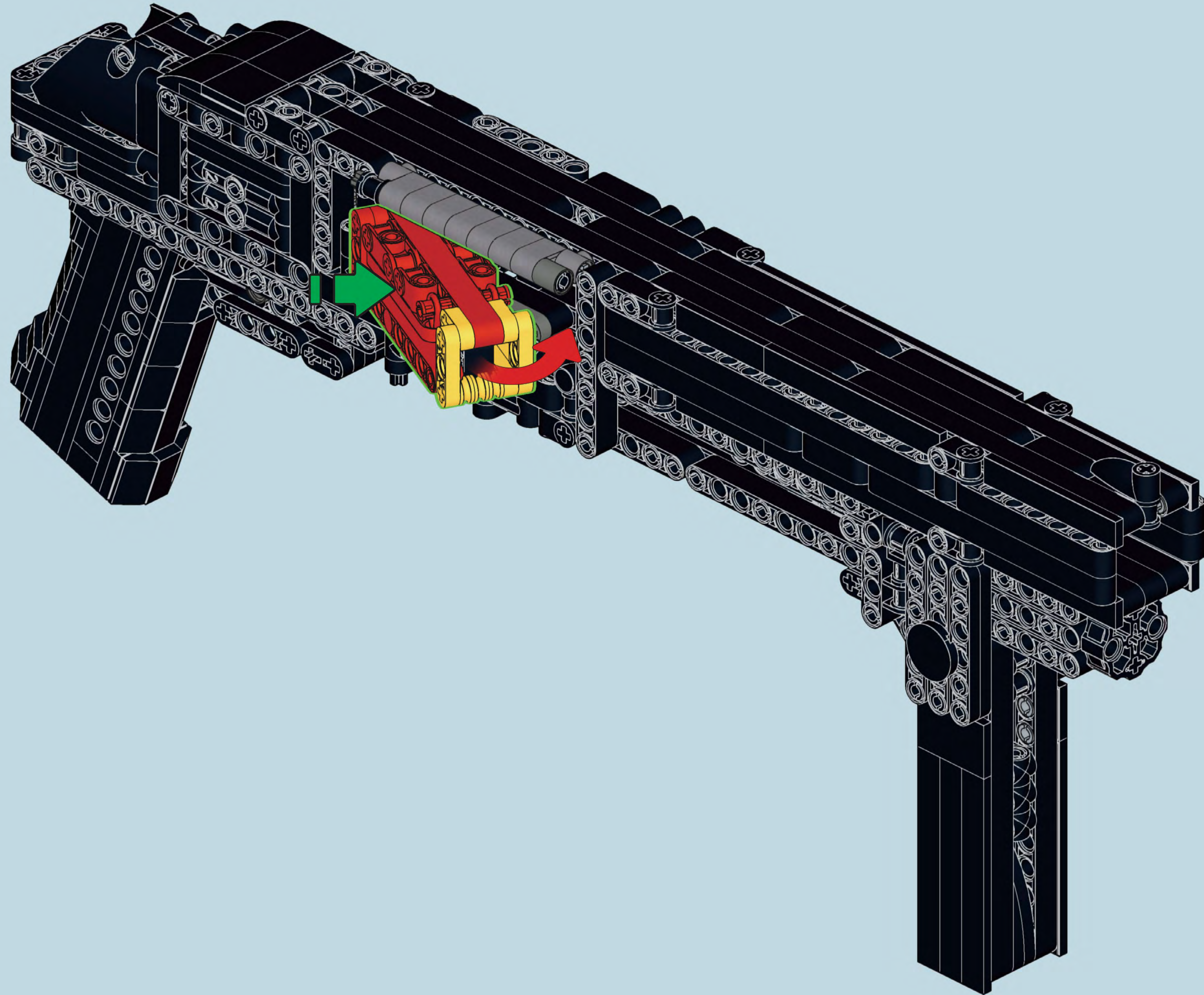
1



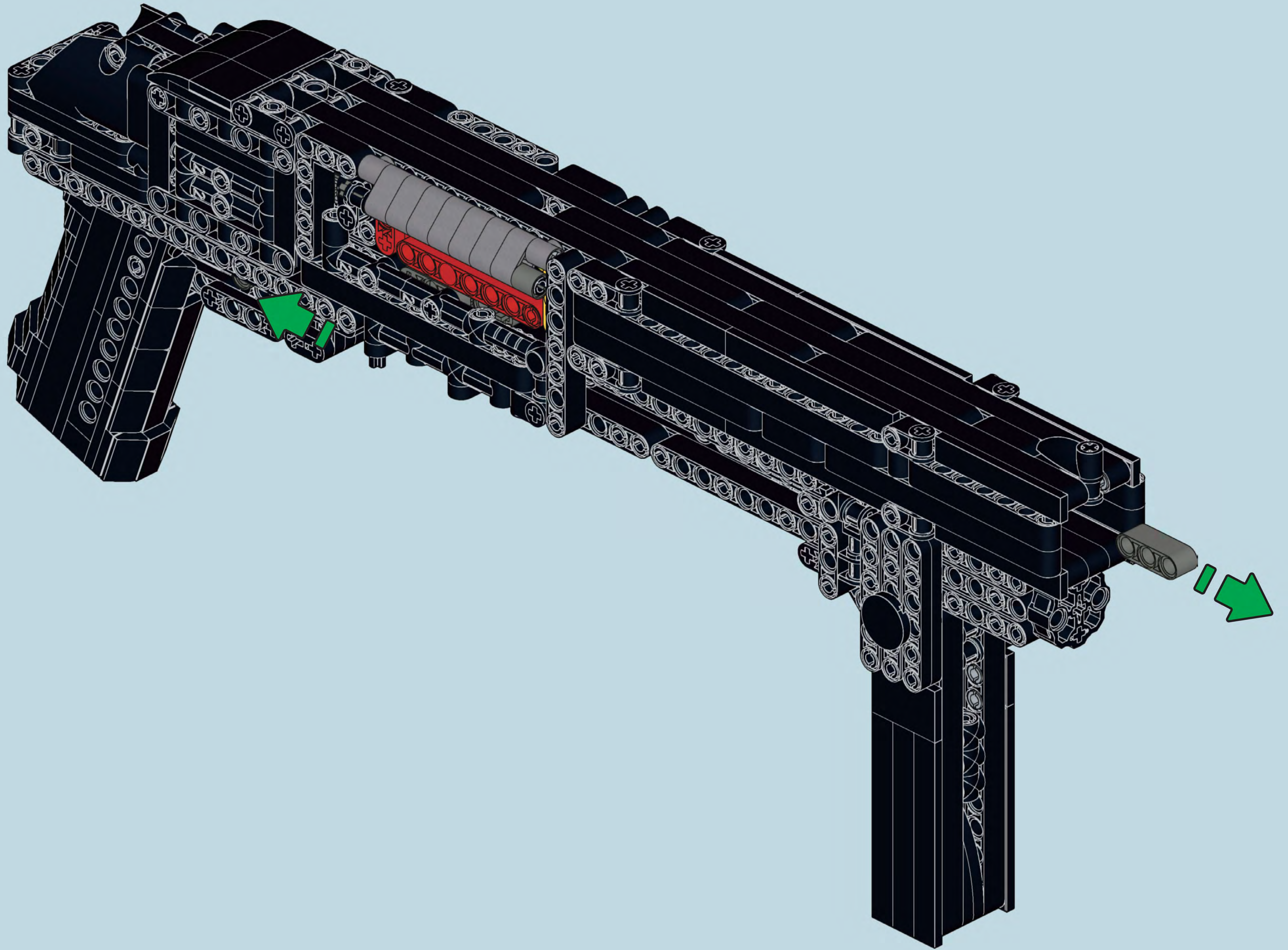
2



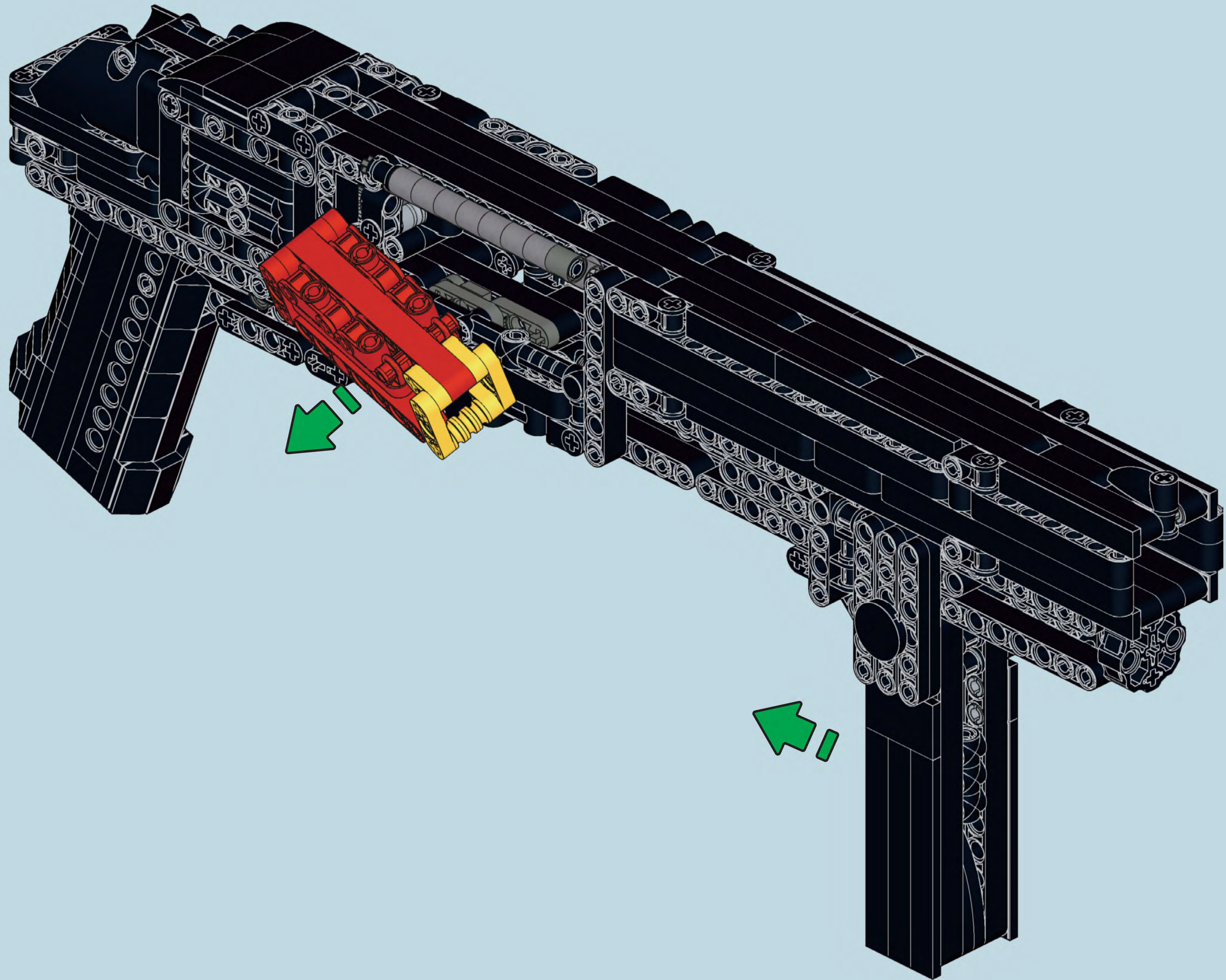
3



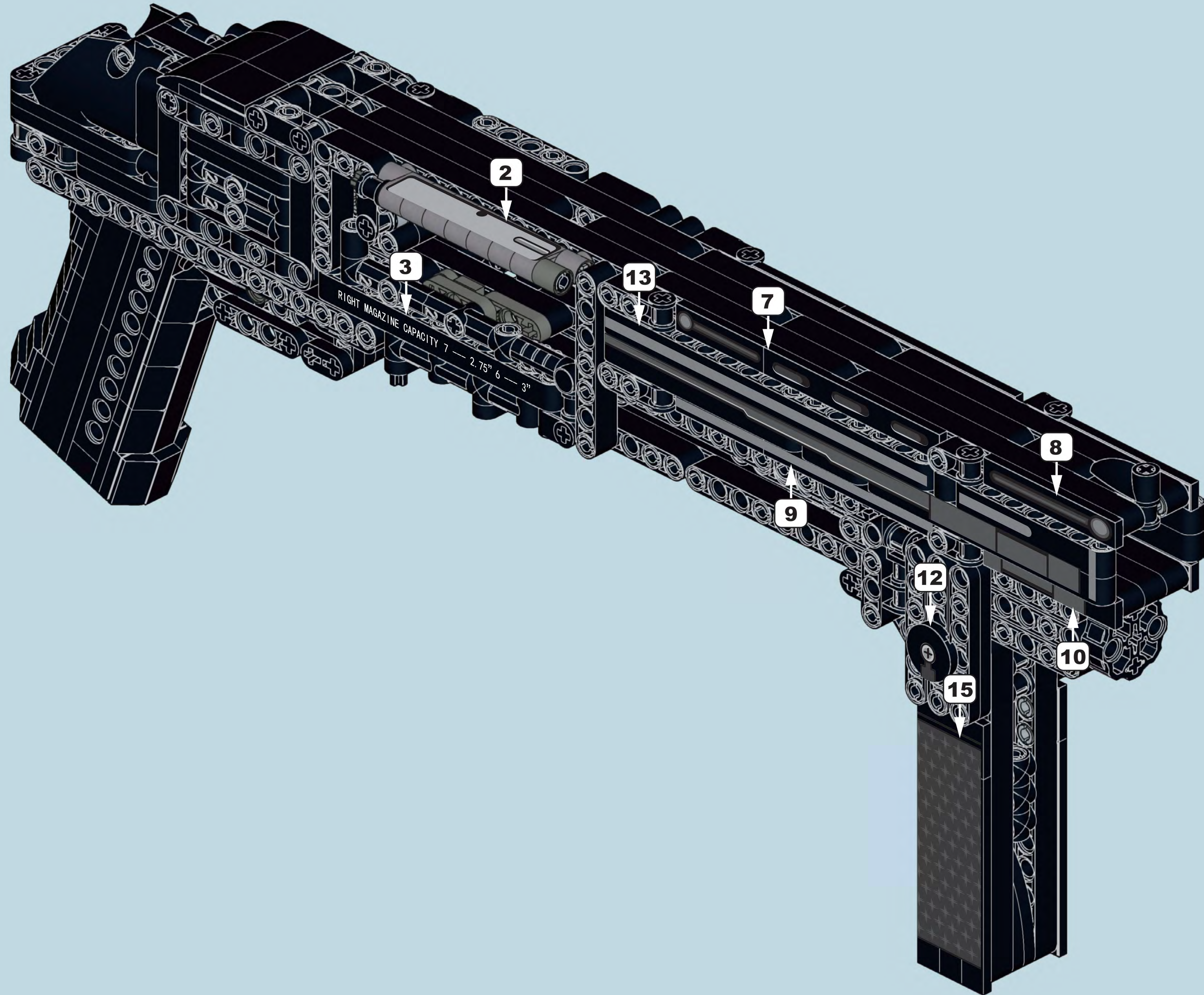
4



5



6





Reobrix

NO.77002

SUPER - -SHORTY



SUPER-SHORT

THE SUPER SHORT MAN IS A WEAPON DEVELOPED BY SHERBU.
THE BARREL IS VERY SHORT, EASY TO HIDE, EASY TO CARRY,
AND HAS A HIGH DEGREE OF MOBILITY,
BUT THE DISADVANTAGE IS THAT IT HAS A WIDE RANGE OF SHOTS.